

[www.alfer.com](http://www.alfer.com)

**alfer**<sup>®</sup>  
aluminium

Hardware catalogue

## **combitech**<sup>®</sup> system

Basis | connect 23.5 mm | Sheets, plates and accessories | **logika**<sup>®</sup>

Profiles for DIY and professional purposes | Steel profiles



# Hardware catalogue

## Explanations

### Colour guide materials

AGK	Aluminium casting, tumbling polished	MES	Brass, solid or brass, shiny solid
AGP	Aluminium casting, powder-coated	CU	Copper, solid
ALC	<b>alferceram</b> <sup>®</sup> , ceramic powder-coated aluminium	ABS	Plastic, acrylonitrile butadiene styrene
ALCR	Aluminium chrome-plated	EPDM	Plastic, ethylene propylene diene rubber
ALG	Aluminium, vibratory finish	EVA	Plastic, ethylene vinyl acetate
ALK	Aluminium, tumble polished	GUM	Rubber
ALM	Brass-plated aluminium	PA	Plastic, polyamide
ALO	<b>alferoxal</b> <sup>®</sup> , multicolour aluminium, anodized	PC	Plastic, polycarbonate
ALP	Powder-coated aluminium	PE	Plastic, polyethylene
ALU	Uncoated aluminium	PET	Plastic, polyethylene terephthalate
ALX	Anodized aluminium	POM	Plastic, polyoxymethylene
EDL	Stainless steel	PP	Plastic, polypropylene
FER	Hard ferrite	PS	Plastic, polystyrene
GUS	Cast iron	PU	Plastic, polyurethane
SGC	Injection moulded, chrome-plated	PVC	Plastic, polyvinylchloride
STA	Steel or steel, galvanized	TPE	Plastic, thermoplastic elastomers
		EHO	Real wood

### Packaging

**loose:** The item is not packed.  
**shrink-wrapped:** The loose item is shrink-wrapped in transparent PE foil.  
**shrink-wrapped SS:** The shrink-wrapped item comes with a SS Euro-perforation allowing it to be suspended.  
**SS bag:** The item is packed in a transparent LDPE bag (Euro-perforation).  
**SS polybag:** The article comes in a PE tube.  
**SS box:** the item is packed in a transparent box with Euro-perforation.  
**SS cardboard box:** The item comes in a SS cardboard box.  
**on roll:** The item comes on a roll and can be cut to measure.  
**sealed:** The item is sealed with a transparent PE foil.  
**foil-wrapped, one-sided:** The item is covered on one side with a protective foil.  
**rolled in a box:** The item is packed rolled up in a box.  
**clap-pac:** The item comes in impact-resistant, transparent, PVC snapshut packaging (multi-perforation) and can be re-closed.  
**Min. OU:** The minimum order unit specifies both the minimum order quantity of an item and the order unit.  
 e. g.: Min. OU = 5 pcs.: means that orders must either be for a minimum of 5 pieces of this item, or multiples thereof.  
**PU:** Packaging unit.

### Explanations Brand Names

#### Important Note!

The following trademarks (®, M. R.) are registered for the **alfer**<sup>®</sup> aluminium Gesellschaft mbH, D-79793 Wutöschingen, (as of: 01.09.2013)

<b>alfer</b> <sup>®</sup>	EU CH
<b>alferoxal</b> <sup>®</sup>	B D F I L NL A P CH
<b>alferceram</b> <sup>®</sup>	B D F I L NL A P CH
<b>clipstech</b> <sup>®</sup>	EU MEX
<b>combitech</b> <sup>®</sup>	EU CH MEX
<b>cabelino</b> <sup>®</sup>	EU CH
<b>logika</b> <sup>®</sup>	EU
<b>ferroplatan</b> <sup>®</sup>	EU
<b>coaxis</b> <sup>®</sup>	EU USA MEX
<b>x-star</b> <sup>®</sup>	EU USA
<b>easyrack</b> <sup>®</sup>	EU

The use of these rights is permitted only upon expressed authorization by **alfer**<sup>®</sup> aluminium Gesellschaft mbH, D-79793 Wutöschingen.





### In the heart of Europe

Nestled between the Upper Rhine and the Southern Black Forest is the Wutachtal Valley. Close to both Switzerland and France, this has been home to many world leading aluminium specialists for decades. Today, it is Europe's largest connected economic area for the production and processing of aluminium. It is therefore unsurprising that the region is also known as the 'Aluminium Valley'. This is also the place where the **alfer** success story began in 1973 in Wutöschingen, Baden-Württemberg. Since then, **alfer** has used this site to develop a whole range of aluminium profiles, primarily for DIY enthusiasts and tradespeople, which set even international standards.

# Hardware catalogue

## Section overview

### combitech® system | Basis

### chapter 1



System profiles | Aluminium  
System profiles | Plastic (hard PVC)  
Metric threaded rods and threaded tubes  
System accessories  
Tool assortment

### combitech® system | connect 23.5 mm

### chapter 2



connect connector 23.5 mm | Plastic (PA)  
System accessories  
System profiles | Aluminium  
System profiles | Plastic (hard PVC)

### combitech® system | Sheets, plates and accessories

### chapter 3



Design and plastic plates	Stretch metal   Aluminium
Sheets   Aluminium	Stretch metal   Steel
Sheets   Steel	Prismatech
Sheets   Stainless steel	Prismatech   Accessories
Sheets   Solid copper	Multitube
Sheets   Solid brass	Multitube   Accessories
Embossed sheets   Aluminium	Checker plate profiles
Perforated sheets   Aluminium	Checker plate profiles   Accessories
Perforated sheets   Steel	

### combitech® system | logika®

### chapter 4



System profiles | Aluminium  
System profiles | Steel, galvanized and coated  
System accessories

### Profiles for DIY and professional purposes

### chapter 5



Standard profiles | Aluminium, uncoated  
Standard profiles | Anodized and powder-coated aluminium  
Standard profiles | Brass, solid  
Standard profiles | Plastic  
Standard profiles | Aluminium and plastic, self-adhesive  
clampline clamping profiles | Aluminium  
clampssoft clamping profiles | Plastic



# Hardware catalogue

## Section overview

Steel profiles

chapter 6



Standard profiles | Stainless steel  
 Standard profiles | Steel, rolled  
 Standard profiles | Steel, galvanized  
 Standard profiles | Steel, drawn  
 Standard profiles | **ferroplatan**<sup>®</sup>

Explanations

page 2

alfer<sup>®</sup> makes you mobile

IND-1

alfer<sup>®</sup> ranges

IND-2–IND-3

Index | Product names A–Z

IND-4–IND-5

Index | Item number summary

IND-6–IND-19

Terms and Conditions of Supply and Payment

IND-20

Available in a choice of colours

IND-21

Hardware catalogue | 97002 | 01 2017 | 7708







**combitech® system | Basis**



## **combitech**<sup>®</sup> system | Basis Range overview

### Systematic construction

You have an idea – we have the perfect system solution! With the well-thought-out **combitech**<sup>®</sup> system from **alfer**<sup>®</sup>, you can give your imagination free reign. Whether for shelves, a hothouse or a handcart – discover the astonishingly versatile uses and transform your ideas into reality with brilliant ease.

The system profiles in the **combitech**<sup>®</sup> basic range are suitable for universal use and come in a rust-proof and weather-resistant aluminium version or a lower cost, a lightweight plastic alternative with many uses. All system components can be easily handled, are perfectly aligned to one another and can be flexibly combined. The extremely useful drilling alignment grooves for precisely positioned drill holes are an added bonus. DIY has never been easier. What is your next project?

#### **Systematically accurate fit**

The patented **combitech**<sup>®</sup> system from **alfer**<sup>®</sup> is characterised by outstanding fit accuracy. All profile types can be reliably combined and always fit perfectly into profiles of the next size up whatever their cross-section. In short: everything fits perfectly in and over everything else – like a glove and without any issue thanks to **combitech**<sup>®</sup>.

#### **Our patented drilling alignment groove**

Precise drilling made easy: all **combitech**<sup>®</sup> profiles come with drilling alignment grooves for precisely aligned drill holes. For example, **combitech**<sup>®</sup> round tubes have four drilling alignment grooves positioned at 90° angles to one another.

Our tip: if you want to drill straight through a tube, start by drilling vertically through the upper wall. Next, rotate the tube 180°, determine the precise position of the opposite drill hole on the alignment groove and then drill the second wall. The two drill holes are now precisely opposite one another without leaving any unsightly drill burrs on their outer edges.





# combitech<sup>®</sup> system | Basis

## Range overview

### The perfect twist: Metric threaded rods and threaded tubes

**alfer**<sup>®</sup> metric threaded rods and threaded tubes offer stability and are characterised by premium quality and impressive fit accuracy. The metric threaded rods are available in different materials: galvanised steel, stainless steel, brass and plastic. The threaded tube is made from galvanised steel.

### Systematically versatile: System accessories

Benefit from the impressively large range of **alfer**<sup>®</sup> system accessories. The huge range spans from end caps, gussets and furniture casters through compression/tension springs to nuts and screws. In short: the range is as diverse as your ideas. Start making something!



### Practical assistants: Tools range

Using the right tool makes work twice the fun, right? **alfer**<sup>®</sup> therefore offers a whole range of useful, tried-and-tested tool solutions that guarantee to help you transform your ideas into reality more quickly and effortlessly. We bet that our tools have what it takes to become your favourites!



# combitech<sup>®</sup> system | Basis

## Range overview

System profiles		1.07–1.28
	<ul style="list-style-type: none"> <li>· Angle, equal-sided</li> <li>· Angle, unequal-sided</li> <li>· Double tube</li> <li>· Double tube, vibratory finish</li> <li>· Flat bar</li> <li>· H section</li> <li>· Long tube sleeve</li> <li>· Long tube sleeve, vibratory finish</li> <li>· Rectangular tube</li> <li>· Rectangular U</li> <li>· Round bar</li> <li>· Round tube</li> <li>· Short tube sleeve</li> <li>· Short tube sleeve, vibratory finish</li> <li>· Square rod</li> <li>· Square T</li> <li>· Square tube</li> <li>· Square tube, 1 branch</li> <li>· Square tube, 1 branch offset</li> <li>· Square tube, 2 branches 180°</li> <li>· Square tube, 2 branches inside</li> </ul>	<ul style="list-style-type: none"> <li>· Square tube, 2 branches offset</li> <li>· Square U</li> <li>· Square U, 2 branches 180°</li> <li>· T-profile</li> <li>· Triple tube, vibratory finish</li> <li>· Tube-tube 90°, vibratory finishing</li> <li>· Tube, 1 long branch</li> <li>· Tube, 1 long branch, vibratory finish</li> <li>· Tube, 1 short branch</li> <li>· Tube, 1 short branch, vibratory finish</li> <li>· Tube, 2 branches 180°</li> <li>· Tube, 2 branches 180°, vibratory finish</li> <li>· Tube, 2 branches 90°</li> <li>· Tube, 2 branches 90°, vibratory finish</li> </ul>
		<ul style="list-style-type: none"> <li>ALU</li> <li>ALX</li> <li>ALP</li> <li>ALG</li> <li><b>PVC</b></li> </ul>
Metric threaded rods and threaded tubes		1.29–1.30
	<ul style="list-style-type: none"> <li>· Metric threaded rod</li> <li>· Metric threaded tube</li> </ul>	<ul style="list-style-type: none"> <li>STA</li> <li>EDL</li> <li><b>MES</b></li> <li>PA</li> </ul>
System accessories		1.31–1.47
	<ul style="list-style-type: none"> <li>· Adjustable foot</li> <li>· Adjustable foot, black, with thread</li> <li>· Adjustable ring, DIN 705</li> <li>· Anchor nut, DIN 7965</li> <li>· Compression spring</li> <li>· Countersunk screw set</li> <li>· End cap, rectangular</li> <li>· End cap, round</li> <li>· End cap, square</li> <li>· Eye bolt, DIN 444</li> <li>· Furniture caster</li> <li>· Gusset</li> <li>· Hand wheel, black, with thread</li> <li>· Hexagon cap</li> <li>· Hexagon cap nut, self-locking, DIN 986</li> <li>· Hexagon connection sleeve</li> <li>· Hexagon nut</li> <li>· Hexagon nut, DIN 934</li> <li>· Hexagon nut, self-locking, DIN 985</li> <li>· Hinged plate, black, with thread</li> <li>· Knurled nut, black, with thread</li> <li>· Lifting eye nut, DIN 582</li> <li>· Rubber buffer, black, with double-sided thread</li> <li>· Rubber buffer, black, with thread</li> <li>· Rubber cap</li> <li>· Serrated lock washer, DIN 6798A</li> </ul>	<ul style="list-style-type: none"> <li>· Set: Hexagon nuts, DIN 934, with washers, DIN 9021</li> <li>· Shelf unit foot</li> <li>· Square nut, self-locking; DIN 557</li> <li>· Step drill</li> <li>· Tension spring</li> <li>· Threaded plug</li> <li>· Turnbuckle with hook and eye, DIN 1480</li> <li>· Universal deburrer</li> <li>· Washer, DIN 125</li> <li>· Washer, DIN 9021</li> <li>· Wing nut, American shape</li> </ul>
		<ul style="list-style-type: none"> <li>ALU</li> <li>STA</li> <li>EDL</li> <li><b>MES</b></li> <li>PE</li> <li>PA</li> <li>PVC</li> </ul>



## combitech<sup>®</sup> system | Basis

### Range overview

#### Tool assortment

1.48 – 1.51



- 2 prisms MP 13 (for mitre box MP 10)
- Builder's square with spirit level
- Maxi-saw
- Multi-clamp
- Piccolo-mitre box MP 7
- Precision-mitre box MP 8
- Precision-mitre box MP 9
- Precision-mitre box with clamp element MP 10
- 'Profi' keyhole saw
- 'Profi'-angle, with bevel ruler and parallel-template
- 'Profi'-ruler
- 'Vario'-mitre box MP 14

ALU

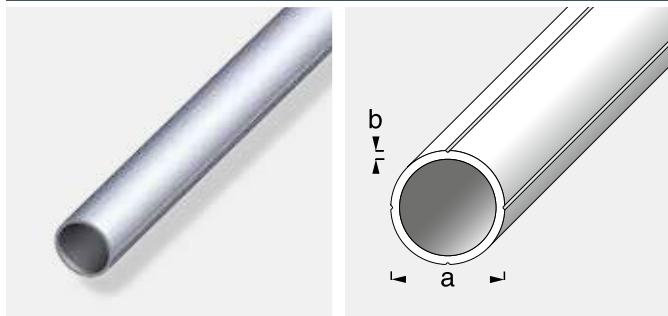
STA



# combitech<sup>®</sup> system | Basis

## System profiles | Aluminium

### Round tube



ALU

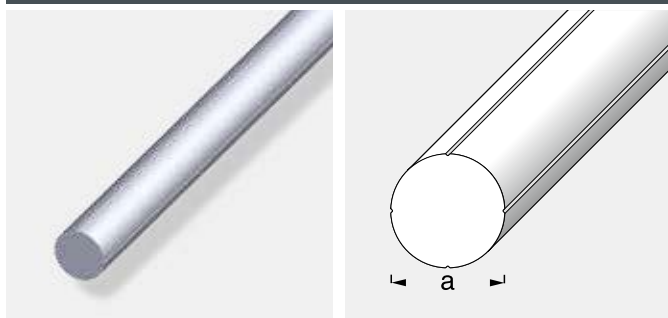


Min. OU: 5 pcs.

· Profiles with the unique drill alignment groove

Uncoated aluminium					length: 1.00 m	length: 2.50 m
Colour	Dim. a	Dim. b	For	Packaging	EAN / Item no.	EAN / Item no.
A uncoated	7.5 mm	1.0 mm	M5	loose	4001116 250026	4001116 250224
A uncoated	11.5 mm	1.5 mm	M8	loose	4001116 250040	4001116 250248
A uncoated	15.5 mm	1.5 mm	M12	loose	4001116 250064	4001116 250262
A uncoated	19.5 mm	1.5 mm	M16	loose	4001116 250088	4001116 250286
A uncoated	23.5 mm	1.5 mm	M20	loose	4001116 250101	4001116 250309
A uncoated	29.5 mm	2.4 mm	M24	loose	4001116 250125	4001116 250323
A uncoated	35.5 mm	2.4 mm	M30	loose	4001116 250149	4001116 250347

### Round bar



ALU



Min. OU: 5 pcs.

· Profiles with the unique drill alignment groove

Uncoated aluminium				length: 1.00 m	length: 2.50 m
Colour	Dim. a	Packaging		EAN / Item no.	EAN / Item no.
A uncoated	7.5 mm	loose		4001116 250828	4001116 251023
A uncoated	11.5 mm	loose		4001116 250842	4001116 251047
A uncoated	15.5 mm	loose		4001116 250866	4001116 251061
A uncoated	19.5 mm	loose		4001116 250880	4001116 251085

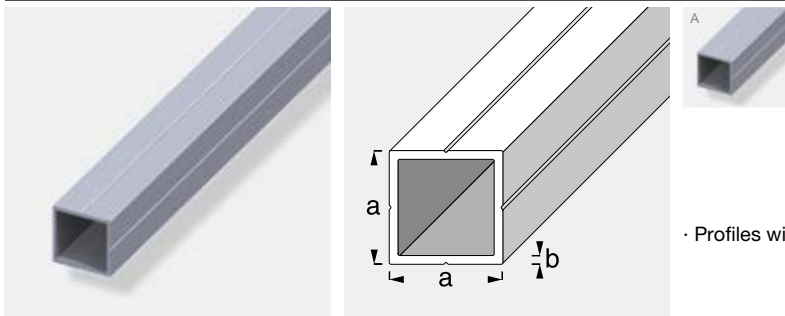


# combitech<sup>®</sup> system | Basis

## System profiles | Aluminium

### Square tube

ALU



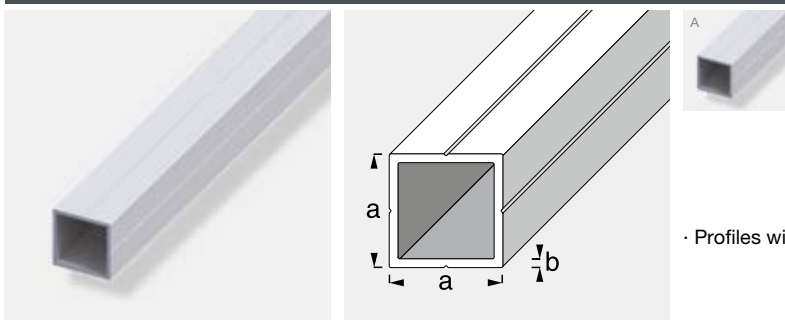
Min. OU: 5 pcs.

· Profiles with the unique drill alignment groove

Uncoated aluminium					length: 1.00 m	length: 2.50 m
Colour	Dim. a	Dim. b	For	Packaging	EAN / Item no.	EAN / Item no.
A uncoated	7.5 mm	1.0 mm	M5	loose	4001116251627	4001116251825
A uncoated	11.5 mm	1.5 mm	M8	loose	4001116251641	4001116251849
A uncoated	15.5 mm	1.5 mm	M12	loose	4001116251665	4001116251863
A uncoated	19.5 mm	1.5 mm	M16	loose	4001116251689	4001116251887
A uncoated	23.5 mm	1.5 mm	M20	loose	4001116251702	4001116251900
A uncoated	29.5 mm	2.4 mm	M24	loose	4001116251726	4001116251924
A uncoated	35.5 mm	2.4 mm	M30	loose	4001116251740	4001116251948

### Square tube

ALX



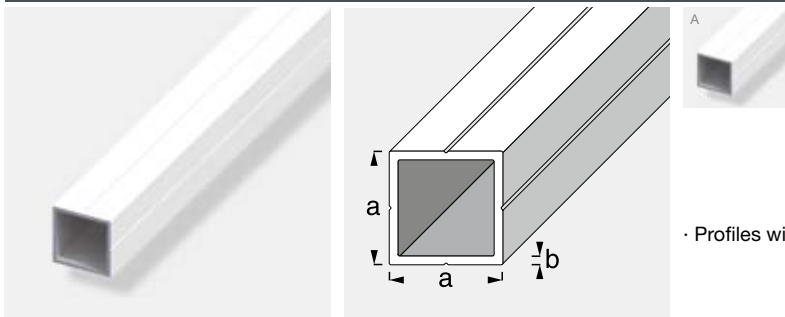
Min. OU: 5 pcs.

· Profiles with the unique drill alignment groove

Anodized aluminium					length: 1.00 m	length: 2.50 m
Colour	Dim. a	Dim. b	For	Packaging	EAN / Item no.	EAN / Item no.
A silver	23.5 mm	1.5 mm	M20	shrink-wrapped	4001116251719	4001116251917

### Square tube

ALP



Min. OU: 5 pcs.

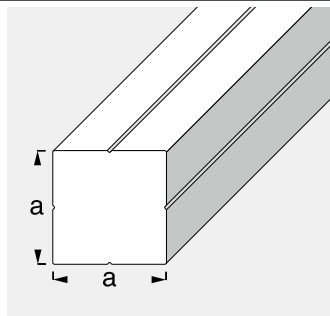
· Profiles with the unique drill alignment groove

Powder-coated aluminium					length: 1.00 m	length: 2.50 m
Colour	Dim. a	Dim. b	For	Packaging	EAN / Item no.	EAN / Item no.
A brilliant-white	11.5 mm	1.5 mm	M8	shrink-wrapped	4001116211645	4001116211843
A brilliant-white	15.5 mm	1.5 mm	M12	shrink-wrapped	4001116211669	4001116211867
A brilliant-white	19.5 mm	1.5 mm	M16	shrink-wrapped	4001116211683	4001116211881
A brilliant-white	23.5 mm	1.5 mm	M20	shrink-wrapped	4001116211706	4001116211904

# combitech<sup>®</sup> system | Basis

## System profiles | Aluminium

### Square rod



ALU

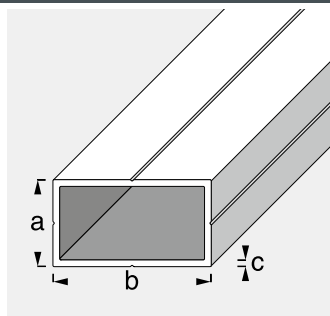


Min. OU: 5 pcs.

· Profiles with the unique drill alignment groove

Uncoated aluminium			length: 1.00 m	length: 2.50 m
Colour	Dim. a	Packaging	EAN / Item no.	EAN / Item no.
A uncoated	7.5 mm	loose	4001116 25242 6	
A uncoated	11.5 mm	loose	4001116 25244 0	4001116 25264 8
A uncoated	15.5 mm	loose	4001116 25246 4	4001116 25266 2
A uncoated	19.5 mm	loose	4001116 25248 8	4001116 25268 6

### Rectangular tube



ALU



Min. OU: 5 pcs.


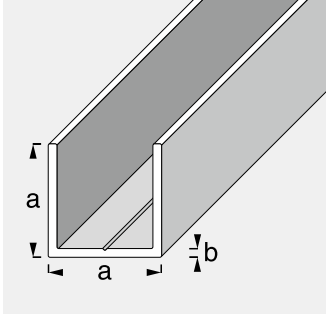
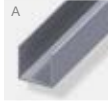
· Profiles with the unique drill alignment groove

Uncoated aluminium						length: 1.00 m	length: 2.50 m
Colour	Dim. a	Dim. b	Dim. c	For	Packaging	EAN / Item no.	EAN / Item no.
A uncoated	7.5 mm	12.5 mm	1.0 mm	M5	loose	4001116 25322 5	4001116 25342 3
A uncoated	11.5 mm	19.5 mm	1.5 mm	M8	loose	4001116 25324 9	4001116 25344 7
A uncoated	15.5 mm	27.5 mm	1.5 mm	M12	loose	4001116 25326 3	4001116 25346 1
A uncoated	19.5 mm	35.5 mm	1.5 mm	M16	loose	4001116 25328 7	4001116 25348 5
A uncoated	23.5 mm	43.5 mm	1.5 mm	M20	loose	4001116 25330 0	4001116 25350 8
A uncoated	29.5 mm	53.6 mm	2.4 mm	M24	loose	4001116 25332 4	4001116 25352 2
A uncoated	35.5 mm	65.6 mm	2.4 mm	M30	loose	4001116 25334 8	4001116 25354 6

# combitech<sup>®</sup> system | Basis

## System profiles | Aluminium

**Square U** ALU


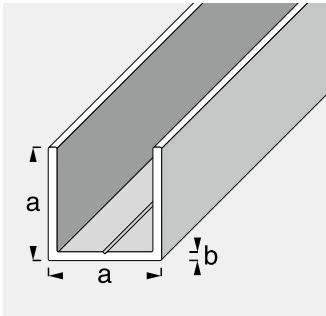





· Profiles with the unique drill alignment groove

Min. OU: 5 pcs.

Uncoated aluminium				length: 1.00 m	length: 2.50 m
Colour	Dim. a	Dim. b	Packaging	EAN / Item no.	EAN / Item no.
A uncoated	7.5 mm	1.0 mm	loose	4001116 25402 4	4001116 25422 2
A uncoated	11.5 mm	1.5 mm	loose	4001116 25404 8	4001116 25424 6
A uncoated	15.5 mm	1.5 mm	loose	4001116 25406 2	4001116 25426 0
A uncoated	19.5 mm	1.5 mm	loose	4001116 25408 6	4001116 25428 4
A uncoated	23.5 mm	1.5 mm	loose	4001116 25410 9	4001116 25430 7
A uncoated	29.5 mm	2.4 mm	loose	4001116 25412 3	4001116 25432 1
A uncoated	35.5 mm	2.4 mm	loose	4001116 25414 7	4001116 25434 5

**Square U** ALX


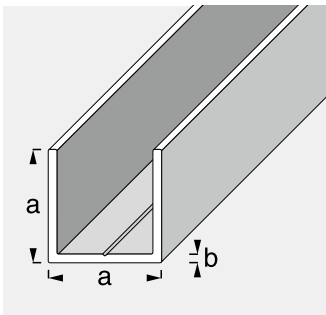





· Profiles with the unique drill alignment groove

Min. OU: 5 pcs.

Anodized aluminium				length: 1.00 m	length: 2.50 m
Colour	Dim. a	Dim. b	Packaging	EAN / Item no.	EAN / Item no.
A silver	23.5 mm	1.5 mm	shrink-wrapped	4001116 25411 6	4001116 25431 4

**Square U** ALP

· Profiles with the unique drill alignment groove

Min. OU: 5 pcs.

Powder-coated aluminium				length: 1.00 m	length: 2.50 m
Colour	Dim. a	Dim. b	Packaging	EAN / Item no.	EAN / Item no.
A brilliant-white	7.5 mm	1.0 mm	shrink-wrapped	4001116 21402 8	4001116 21422 6
A brilliant-white	11.5 mm	1.5 mm	shrink-wrapped	4001116 21404 2	4001116 21424 0
A brilliant-white	15.5 mm	1.5 mm	shrink-wrapped	4001116 21406 6	4001116 21426 4
A brilliant-white	23.5 mm	1.5 mm	shrink-wrapped	4001116 21410 3	4001116 21430 1

Hardware catalogue | 97002 | 01 2017 | 77708

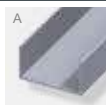
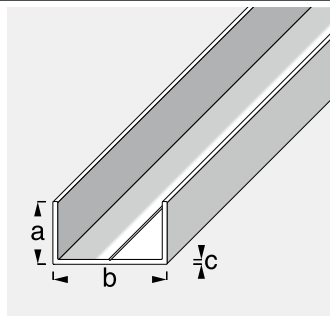


# combitech<sup>®</sup> system | Basis

## System profiles | Aluminium

### Rectangular U

ALU



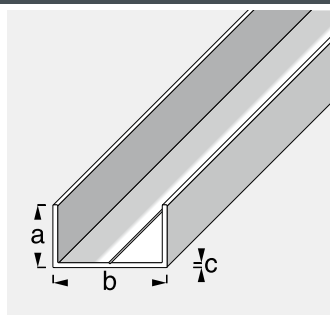
Min. OU: 5 pcs.

· Profiles with the unique drill alignment groove

Uncoated aluminium					length: 1.00 m	length: 2.50 m
Colour	Dim. a	Dim. b	Dim. c	Packaging	EAN/Item no.	EAN/Item no.
A uncoated	7.5 mm	12.5 mm	1.0 mm	loose	4001116254826	4001116255021
A uncoated	11.5 mm	19.5 mm	1.5 mm	loose	4001116254840	4001116255045
A uncoated	15.5 mm	27.5 mm	1.5 mm	loose	4001116254864	4001116255069
A uncoated	19.5 mm	35.5 mm	1.5 mm	loose	4001116254888	4001116255083
A uncoated	23.5 mm	43.5 mm	1.5 mm	loose	4001116254901	4001116255106
A uncoated	29.5 mm	53.6 mm	2.4 mm	loose	4001116254925	4001116255120
A uncoated	35.5 mm	65.6 mm	2.4 mm	loose	4001116254949	4001116255144

### Rectangular U

ALP



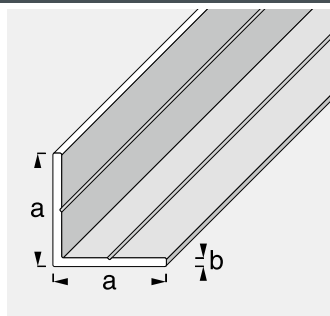
Min. OU: 5 pcs.

· Profiles with the unique drill alignment groove

Powder-coated aluminium					length: 1.00 m	length: 2.50 m
Colour	Dim. a	Dim. b	Dim. c	Packaging	EAN/Item no.	EAN/Item no.
A brilliant-white	11.5 mm	19.5 mm	1.5 mm	shrink-wrapped	4001116214844	4001116215049
A brilliant-white	15.5 mm	27.5 mm	1.5 mm	shrink-wrapped	4001116214868	4001116215063
A brilliant-white	19.5 mm	35.5 mm	1.5 mm	shrink-wrapped	4001116214882	4001116215087

### Angle, equal-sided

ALU



Min. OU: 5 pcs.

· Profiles with the unique drill alignment groove

Uncoated aluminium				length: 1.00 m	length: 2.50 m
Colour	Dim. a	Dim. b	Packaging	EAN/Item no.	EAN/Item no.
A uncoated	7.5 mm	1.0 mm	loose	4001116255625	4001116255823
A uncoated	11.5 mm	1.5 mm	loose	4001116255649	4001116255847
A uncoated	15.5 mm	1.5 mm	loose	4001116255663	4001116255861
A uncoated	19.5 mm	1.5 mm	loose	4001116255687	4001116255885



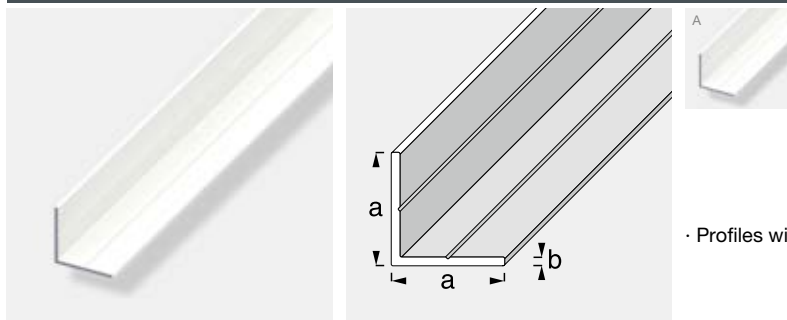
# combitech<sup>®</sup> system | Basis

## System profiles | Aluminium

Continued from the previous page

Uncoated aluminium				length: 1.00 m	length: 2.50 m
Colour	Dim. a	Dim. b	Packaging	EAN / Item no.	EAN / Item no.
A uncoated	23.5 mm	1.5 mm	loose	4001116 255700	4001116 255908
A uncoated	29.5 mm	2.4 mm	loose	4001116 255724	4001116 255922
A uncoated	35.5 mm	2.4 mm	loose	4001116 255748	4001116 255946

### Angle, equal-sided



ALP

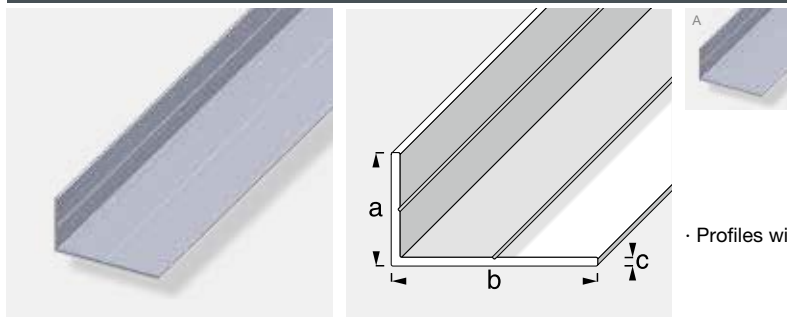


Min. OU: 5 pcs.

· Profiles with the unique drill alignment groove

Powder-coated aluminium				length: 1.00 m	length: 2.50 m
Colour	Dim. a	Dim. b	Packaging	EAN / Item no.	EAN / Item no.
A brilliant-white	15.5 mm	1.5 mm	shrink-wrapped	4001116 215667	4001116 215865
A brilliant-white	19.5 mm	1.5 mm	shrink-wrapped	4001116 215681	4001116 215889
A brilliant-white	23.5 mm	1.5 mm	shrink-wrapped	4001116 215704	4001116 215902
A brilliant-white	29.5 mm	2.4 mm	shrink-wrapped	4001116 215728	4001116 215926

### Angle, unequal-sided



ALU



Min. OU: 5 pcs.

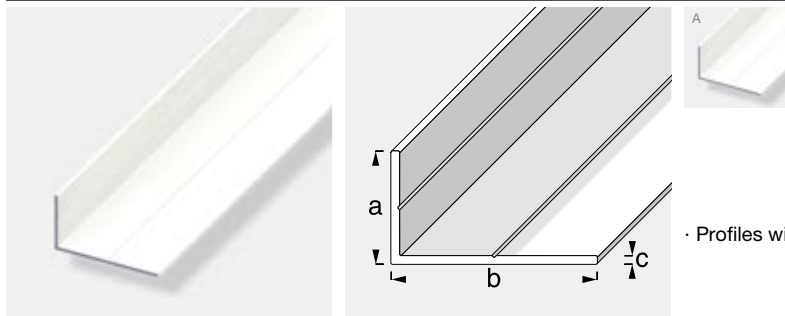
· Profiles with the unique drill alignment groove

Uncoated aluminium					length: 1.00 m	length: 2.50 m
Colour	Dim. a	Dim. b	Dim. c	Packaging	EAN / Item no.	EAN / Item no.
A uncoated	7.5 mm	12.5 mm	1.0 mm	loose	4001116 256424	4001116 256622
A uncoated	11.5 mm	19.5 mm	1.5 mm	loose	4001116 256448	4001116 256646
A uncoated	15.5 mm	27.5 mm	1.5 mm	loose	4001116 256462	4001116 256660
A uncoated	19.5 mm	35.5 mm	1.5 mm	loose	4001116 256486	4001116 256684
A uncoated	23.5 mm	43.5 mm	1.5 mm	loose	4001116 256509	4001116 256707
A uncoated	29.5 mm	53.6 mm	2.4 mm	loose	4001116 256523	4001116 256721
A uncoated	35.5 mm	65.6 mm	2.4 mm	loose	4001116 256547	4001116 256745

# combitech<sup>®</sup> system | Basis

## System profiles | Aluminium

### Angle, unequal-sided



· Profiles with the unique drill alignment groove

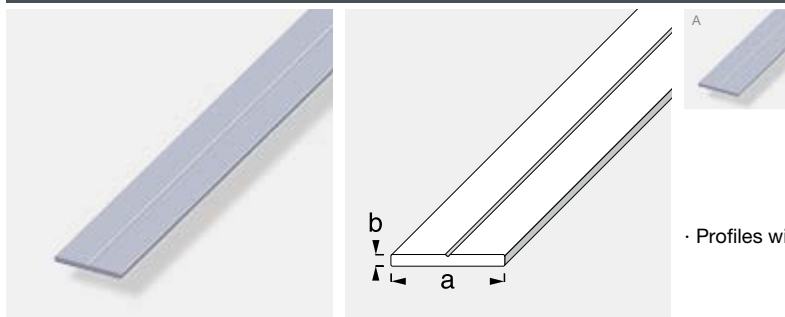
ALP



Min. OU: 5 pcs.

Powder-coated aluminium					length: 1.00 m	length: 2.50 m
Colour	Dim. a	Dim. b	Dim. c	Packaging	EAN / Item no.	EAN / Item no.
A brilliant-white	15.5 mm	27.5 mm	1.5 mm	shrink-wrapped	4001116216466	4001116216664
A brilliant-white	19.5 mm	35.5 mm	1.5 mm	shrink-wrapped	4001116216480	4001116216688
A brilliant-white	23.5 mm	43.5 mm	1.5 mm	shrink-wrapped	4001116216503	4001116216701

### Flat bar



· Profiles with the unique drill alignment groove

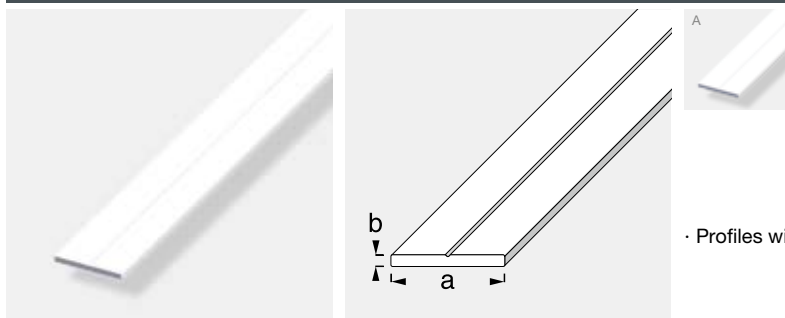
ALU



Min. OU: 5 pcs.

Uncoated aluminium				length: 1.00 m	length: 2.50 m
Colour	Dim. a	Dim. b	Packaging	EAN / Item no.	EAN / Item no.
A uncoated	7.5 mm	1.5 mm	loose	4001116258022	4001116258220
A uncoated	11.5 mm	2.0 mm	loose	4001116258046	4001116258244
A uncoated	15.5 mm	2.0 mm	loose	4001116258060	4001116258268
A uncoated	19.5 mm	2.0 mm	loose	4001116258084	4001116258282
A uncoated	23.5 mm	2.0 mm	loose	4001116258107	4001116258305
A uncoated	29.5 mm	3.0 mm	loose	4001116258121	4001116258329
A uncoated	35.5 mm	3.0 mm	loose	4001116258145	4001116258343

### Flat bar



· Profiles with the unique drill alignment groove

ALP



Min. OU: 5 pcs.

Powder-coated aluminium				length: 1.00 m	length: 2.50 m
Colour	Dim. a	Dim. b	Packaging	EAN / Item no.	EAN / Item no.
A brilliant-white	15.5 mm	2.0 mm	shrink-wrapped	4001116218064	4001116218262
A brilliant-white	19.5 mm	2.0 mm	shrink-wrapped	4001116218088	4001116218286
A brilliant-white	23.5 mm	2.0 mm	shrink-wrapped	4001116218101	4001116218309
A brilliant-white	29.5 mm	3.0 mm	shrink-wrapped	4001116218125	4001116218323



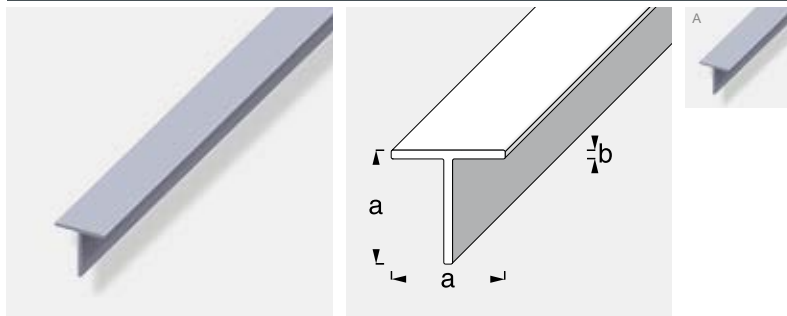
# combitech<sup>®</sup> system | Basis

## System profiles | Aluminium

Continued from the previous page

Powder-coated aluminium				length: 1.00 m	length: 2.50 m
Colour	Dim. a	Dim. b	Packaging	EAN / Item no.	EAN / Item no.
A brilliant-white	35.5 mm	3.0 mm	shrink-wrapped	4001116218149	4001116218347

### Square T



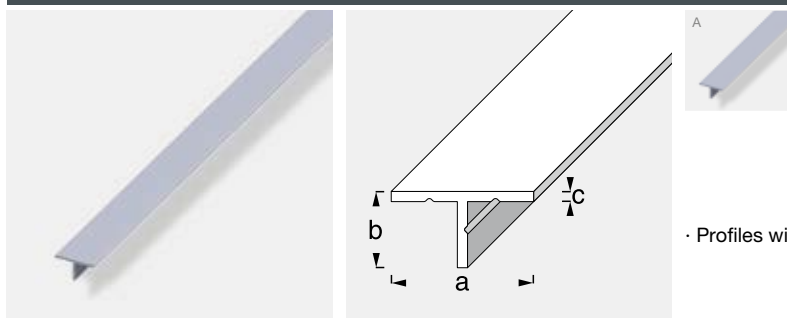
ALU



Min. OU: 5 pcs.

Uncoated aluminium				length: 1.00 m	length: 2.50 m
Colour	Dim. a	Dim. b	Packaging	EAN / Item no.	EAN / Item no.
A uncoated	7.5 mm	1.0 mm	loose	4001116257223	4001116257421
A uncoated	11.5 mm	1.5 mm	loose	4001116257247	4001116257445
A uncoated	15.5 mm	1.5 mm	loose	4001116257261	4001116257469
A uncoated	19.5 mm	1.5 mm	loose	4001116257285	4001116257483

### T-profile



ALU

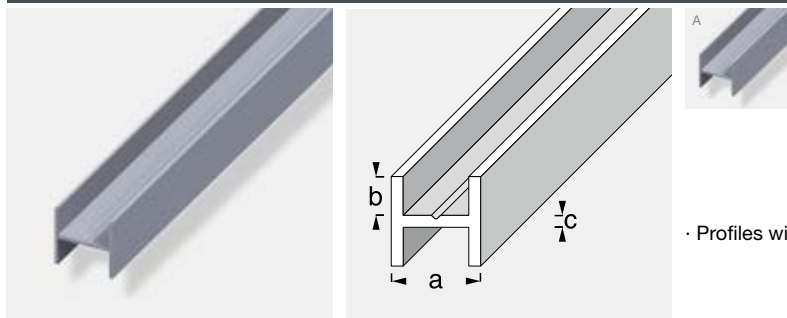


Min. OU: 5 pcs.

· Profiles with the unique drill alignment groove

Uncoated aluminium					length: 1.00 m
Colour	Dim. a	Dim. b	Dim. c	Packaging	EAN / Item no.
A uncoated	14.0 mm	7.5 mm	1.0 mm	loose	4001116286711

### H section



ALU



Min. OU: 5 pcs.

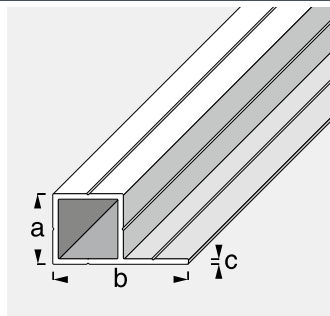
· Profiles with the unique drill alignment groove

Uncoated aluminium					length: 1.00 m	length: 2.50 m
Colour	Dim. a	Dim. b	Dim. c	Packaging	EAN / Item no.	EAN / Item no.
A uncoated	7.5 mm	3.25 mm	1.0 mm	loose	4001116286704	
A uncoated	23.5 mm	11.0 mm	1.5 mm	loose	4001116287008	4001116287206

# combitech<sup>®</sup> system | Basis

## System profiles | Aluminium

### Square tube, 1 branch



ALU

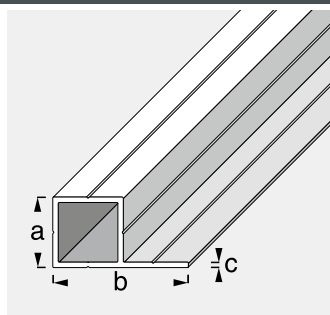


Min. OU: 5 pcs.

· Profiles with the unique drill alignment groove

Uncoated aluminium						length: 1.00 m	length: 2.50 m
Colour	Dim. a	Dim. b	Dim. c	For	Packaging	EAN/Item no.	EAN/Item no.
A uncoated	7.5mm	14.0mm	1.0mm	M5	loose	4001116258824	4001116259029
A uncoated	11.5mm	21.5mm	1.5mm	M8	loose	4001116258848	4001116259043
A uncoated	15.5mm	29.5mm	1.5mm	M12	loose	4001116258862	4001116259067
A uncoated	19.5mm	37.5mm	1.5mm	M16	loose	4001116258886	4001116259081
A uncoated	23.5mm	45.5mm	1.5mm	M20	loose	4001116258909	4001116259104
A uncoated	29.5mm	56.6mm	2.4mm	M24	loose	4001116258923	4001116259128
A uncoated	35.5mm	68.6mm	2.4mm	M30	loose	4001116258947	4001116259142

### Square tube, 1 branch



ALX

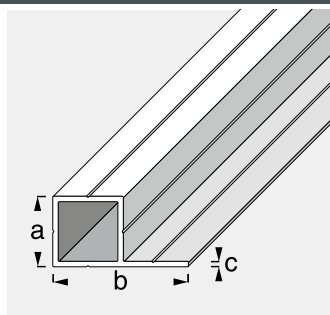


Min. OU: 5 pcs.

· Profiles with the unique drill alignment groove

Anodized aluminium						length: 1.00 m	length: 2.50 m
Colour	Dim. a	Dim. b	Dim. c	For	Packaging	EAN/Item no.	EAN/Item no.
A silver	23.5 mm	45.5mm	1.5mm	M20	shrink-wrapped	4001116258916	4001116259111

### Square tube, 1 branch



ALP



Min. OU: 5 pcs.

· Profiles with the unique drill alignment groove

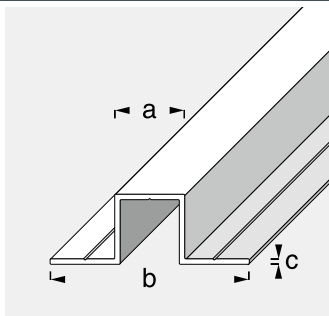
Powder-coated aluminium						length: 1.00 m	length: 2.50 m
Colour	Dim. a	Dim. b	Dim. c	For	Packaging	EAN/Item no.	EAN/Item no.
A brilliant-white	23.5mm	45.5mm	1.5mm	M20	shrink-wrapped	4001116218903	4001116219108

# combitech<sup>®</sup> system | Basis

## System profiles | Aluminium

### Square U, 2 branches 180°

ALU



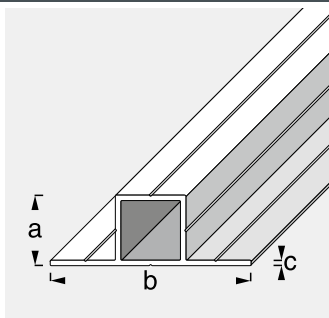
Min. OU: 5 pcs.

· Profiles with the unique drill alignment groove

Uncoated aluminium					length: 1.00 m	length: 2.50 m
Colour	Dim. a	Dim. b	Dim. c	Packaging	EAN / Item no.	EAN / Item no.
A uncoated	7.5 mm	20.5 mm	1.0 mm	loose	4001116 259623	4001116 259821
A uncoated	11.5 mm	31.5 mm	1.5 mm	loose	4001116 259647	4001116 259845
A uncoated	15.5 mm	43.5 mm	1.5 mm	loose	4001116 259661	4001116 259869
A uncoated	19.5 mm	55.5 mm	1.5 mm	loose	4001116 259685	4001116 259883
A uncoated	23.5 mm	67.5 mm	1.5 mm	loose	4001116 259708	4001116 259906
A uncoated	29.5 mm	83.7 mm	2.4 mm	loose	4001116 259722	4001116 259920
A uncoated	35.5 mm	101.7 mm	2.4 mm	loose	4001116 259746	4001116 259944

### Square tube, 2 branches 180°

ALU



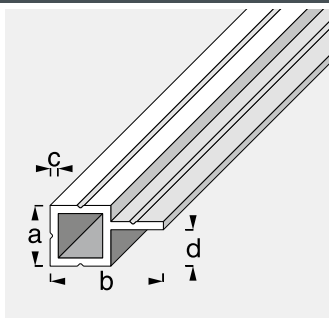
Min. OU: 5 pcs.

· Profiles with the unique drill alignment groove

Uncoated aluminium					length: 1.00 m	length: 2.50 m	
Colour	Dim. a	Dim. b	Dim. c	For	Packaging	EAN / Item no.	EAN / Item no.
A uncoated	7.5 mm	20.5 mm	1.0 mm	M5	loose	4001116 286698	
A uncoated	23.5 mm	67.5 mm	1.5 mm	M20	loose	4001116 260902	4001116 261107

### Square tube, 1 branch offset

ALU



Min. OU: 5 pcs.

· Profiles with the unique drill alignment groove

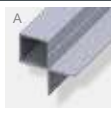
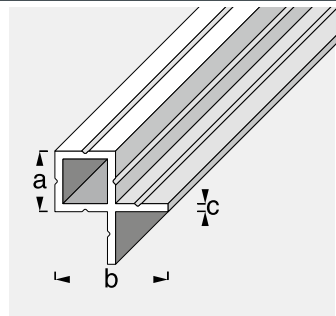
Uncoated aluminium					length: 1.00 m	length: 2.50 m		
Colour	Dim. a	Dim. b	Dim. c	Dim. d	For	Packaging	EAN / Item no.	EAN / Item no.
A uncoated	7.5 mm	14.0 mm	1.0 mm	4.5 mm	M5	loose	4001116 286728	
A uncoated	23.5 mm	45.5 mm	1.5 mm	19.5 mm	M20	loose	4001116 287015	4001116 287213



# combitech<sup>®</sup> system | Basis

## System profiles | Aluminium

### Square tube, 2 branches inside



ALU

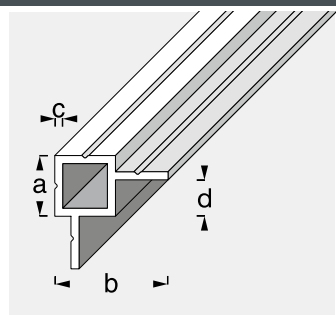


Min. OU: 5 pcs.

· Profiles with the unique drill alignment groove

Uncoated aluminium							length: 1.00 m	length: 2.50 m
Colour	Dim. a	Dim. b	Dim. c	For	Packaging	EAN / Item no.	EAN / Item no.	
A uncoated	7.5mm	14.0mm	1.0mm	M5	loose	4001116 259227		
A uncoated	23.5mm	43.5mm	1.5mm	M20	loose	4001116 259302	4001116 259500	

### Square tube, 2 branches offset



ALU

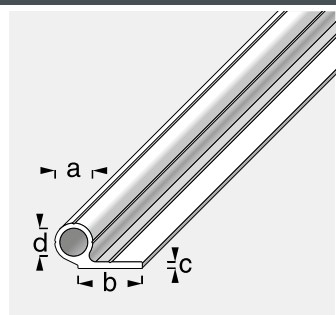


Min. OU: 5 pcs.

· Profiles with the unique drill alignment groove

Uncoated aluminium							length: 1.00 m	length: 2.50 m
Colour	Dim. a	Dim. b	Dim. c	Dim. d	For	Packaging	EAN / Item no.	EAN / Item no.
A uncoated	7.5mm	14.0mm	1.0mm	4.5mm	M5	loose	4001116 260025	
A uncoated	23.5mm	45.5mm	1.5mm	19.5mm	M20	loose	4001116 260100	4001116 260308

### Tube, 1 short branch



ALU



Min. OU: 5 pcs.

· Profiles with the unique drill alignment groove

Uncoated aluminium							length: 1.00 m
Colour	Dim. a	Dim. b	Dim. c	Dim. d	For	Packaging	EAN / Item no.
A uncoated	7.5mm	12.5mm	1.5mm	5.5mm	M5	loose	4001116 260629
A uncoated	11.5mm	19.5mm	2.0mm	8.5mm	M8	loose	4001116 260643
A uncoated	15.5mm	27.5mm	2.5mm	12.5mm	M12	loose	4001116 260667
A uncoated	19.5mm	35.5mm	3.0mm	16.5mm	M16	loose	4001116 260681

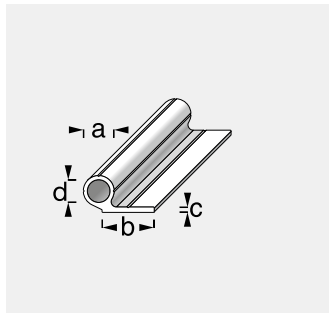
Hardware catalogue | 97002 | 01 2017 | 71708

# combitech<sup>®</sup> system | Basis

## System profiles | Aluminium

### Tube, 1 short branch, vibratory finish

ALG



Min. OU: 5 pcs.

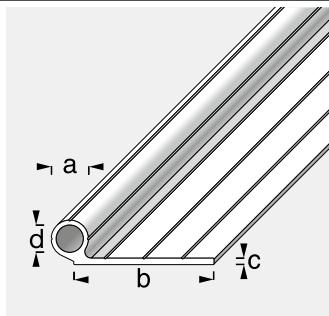
· Profiles with the unique drill alignment groove

#### Aluminium, vibratory finish

Colour	Length	Dim. a	Dim. b	Dim. c	Dim. d	For	PU	Packaging	EAN/Item no.
A vibratory finish	19.5 mm	7.5 mm	12.5 mm	1.5 mm	5.5 mm	M5	2 pieces	SS box	400111626042 1
A vibratory finish	27.5 mm	11.5 mm	19.5 mm	2.0 mm	8.5 mm	M8	2 pieces	SS box	400111626044 5
A vibratory finish	35.5 mm	15.5 mm	27.5 mm	2.5 mm	12.5 mm	M12	2 pieces	SS box	400111626046 9
A vibratory finish	43.5 mm	19.5 mm	35.5 mm	3.0 mm	16.5 mm	M16	2 pieces	SS box	400111626048 3

### Tube, 1 long branch

ALU



Min. OU: 5 pcs.

· Profiles with the unique drill alignment groove

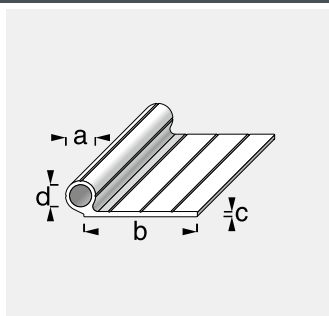
#### Uncoated aluminium

length: 1.00 m

Colour	Dim. a	Dim. b	Dim. c	Dim. d	For	Packaging	EAN/Item no.
A uncoated	11.5 mm	43.5 mm	2.0 mm	8.5 mm	M8	loose	400111626144 2
A uncoated	19.5 mm	65.6 mm	3.0 mm	16.5 mm	M16	loose	400111626148 0

### Tube, 1 long branch, vibratory finish

ALG



Min. OU: 5 pcs.

· Profiles with the unique drill alignment groove

#### Aluminium, vibratory finish

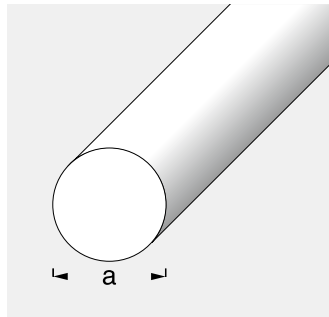
Colour	Length	Dim. a	Dim. b	Dim. c	Dim. d	For	PU	Packaging	EAN/Item no.
A vibratory finish	27.5 mm	11.5 mm	43.5 mm	2.0 mm	8.5 mm	M8	2 pieces	SS box	400111626124 4
A vibratory finish	43.5 mm	19.5 mm	65.6 mm	3.0 mm	16.5 mm	M16	2 pieces	SS box	400111626128 2

# combitech<sup>®</sup> system | Basis

## System profiles | Aluminium

### Round bar

ALU



Min. OU: 5 pcs.

· Can be combined with the tube, 1 branch short, item no. 26062 and 26042 dim. d = 5.5mm) for the hinge

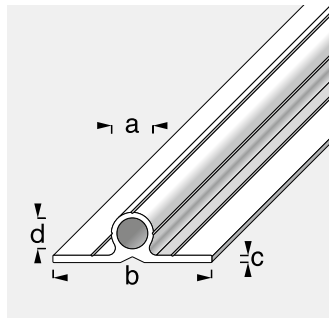
### Uncoated aluminium

length: 1.00 m

Colour	Dim. a	Packaging	EAN / Item no.
A uncoated	5.3 mm	loose	4001116 28668 1

### Tube, 2 branches 180°

ALU



Min. OU: 5 pcs.

· Profiles with the unique drill alignment groove

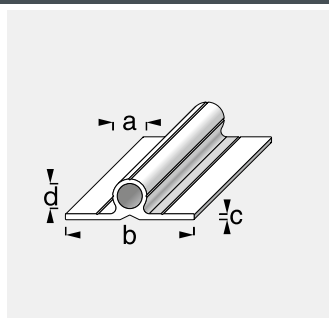
### Uncoated aluminium

length: 1.00 m

Colour	Dim. a	Dim. b	Dim. c	Dim. d	For	Packaging	EAN / Item no.
A uncoated	11.5 mm	43.5 mm	2.0 mm	8.5 mm	M8	loose	4001116 26224 1
A uncoated	19.5 mm	65.5 mm	3.0 mm	16.5 mm	M16	loose	4001116 26228 9

### Tube, 2 branches 180°, vibratory finish

ALG



Min. OU: 5 pcs.

· Profiles with the unique drill alignment groove

### Aluminium, vibratory finish

Colour	Length	Dim. a	Dim. b	Dim. c	Dim. d	For	PU	Packaging	EAN / Item no.
A vibratory finish	27.5 mm	11.5 mm	43.5 mm	2.0 mm	8.5 mm	M8	2 pieces	SS box	4001116 26204 3
A vibratory finish	43.5 mm	19.5 mm	65.5 mm	3.0 mm	16.5 mm	M16	1 piece	SS box	4001116 26208 1

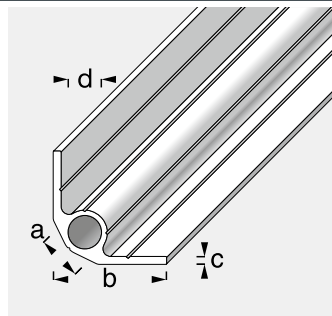


# combitech<sup>®</sup> system | Basis

## System profiles | Aluminium

### Tube, 2 branches 90°

ALU



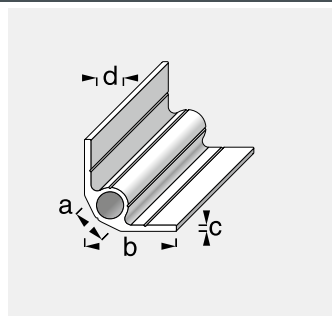
Min. OU: 5 pcs.

· Profiles with the unique drill alignment groove

Uncoated aluminium							length: 1.00 m
Colour	Dim. a	Dim. b	Dim. c	Dim. d	For	Packaging	EAN / Item no.
A uncoated	11.5 mm	28.8 mm	2.0 mm	8.5 mm	M8	loose	4001116263040
A uncoated	19.5 mm	51.8 mm	3.0 mm	16.5 mm	M16	loose	4001116263088

### Tube, 2 branches 90°, vibratory finish

ALG



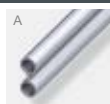
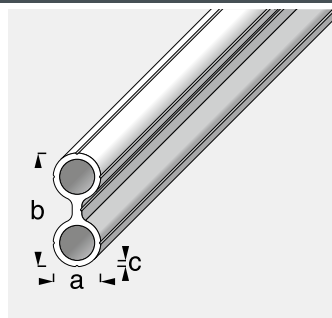
Min. OU: 5 pcs.

· Profiles with the unique drill alignment groove

Aluminium, vibratory finish									
Colour	Length	Dim. a	Dim. b	Dim. c	Dim. d	For	PU	Packaging	EAN / Item no.
A vibratory finish	27.5 mm	11.5 mm	28.8 mm	2.0 mm	8.5 mm	M8	2 pieces	SS box	4001116262845
A vibratory finish	43.5 mm	19.5 mm	51.8 mm	3.0 mm	16.5 mm	M16	1 piece	SS box	4001116262883

### Double tube

ALU



Min. OU: 5 pcs.

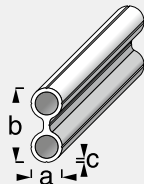
· Profiles with the unique drill alignment groove

Uncoated aluminium							length: 1.00 m
Colour	Dim. a	Dim. b	Dim. c	For	Packaging	EAN / Item no.	
A uncoated	11.5 mm	27.5 mm	1.5 mm	M8	loose	4001116263842	

# combitech<sup>®</sup> system | Basis

## System profiles | Aluminium

### Double tube, vibratory finish



· Profiles with the unique drill alignment groove

ALG

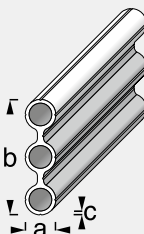


Min. OU: 5 pcs.

#### Aluminium, vibratory finish

Colour	Length	Dim. a	Dim. b	Dim. c	For	PU	Packaging	EAN / Item no.
A vibratory finish	27.5mm	11.5mm	27.5mm	1.5mm	M8	2 pieces	SS box	4001116263644

### Triple tube, vibratory finish



· Profiles with the unique drill alignment groove

ALG

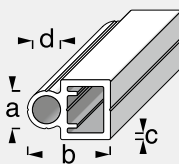


Min. OU: 5 pcs.

#### Aluminium, vibratory finish

Colour	Length	Dim. a	Dim. b	Dim. c	For	PU	Packaging	EAN / Item no.
A vibratory finish	27.5mm	11.5mm	43.5mm	1.5mm	M8	2 pieces	SS box	4001116264443

### Tube-tube 90°, vibratory finishing



· Profiles with the unique drill alignment groove

ALG



Min. OU: 5 pcs.

#### Aluminium, vibratory finish

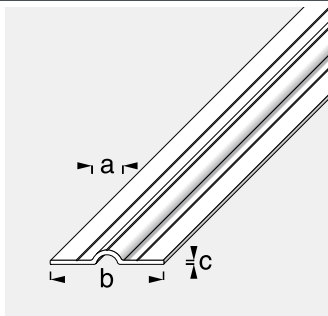
Colour	Length	Dim. a	Dim. b	Dim. c	Dim. d	For	PU	Packaging	EAN / Item no.
A vibratory finish	27.5mm	11.5mm	25.0mm	1.5mm	8.5mm	M8	2 pieces	SS box	4001116265242

# combitech<sup>®</sup> system | Basis

## System profiles | Aluminium

### Short tube sleeve

ALU



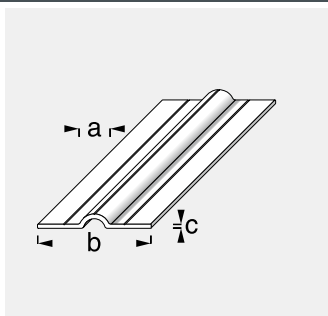
Min. OU: 5 pcs.

· Profiles with the unique drill alignment groove

Uncoated aluminium							length: 1.00 m
Colour	Dim. a	Dim. b	Dim. c	For	Packaging		EAN/Item no.
A uncoated	11.5 mm	41.5 mm	1.5 mm	M8	loose		4001116266249
A uncoated	19.5 mm	73.5 mm	1.5 mm	M16	loose		4001116266287

### Short tube sleeve, vibratory finish

ALG



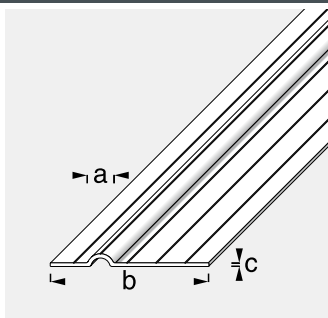
Min. OU: 5 pcs.

· Profiles with the unique drill alignment groove

Aluminium, vibratory finish								EAN/Item no.
Colour	Length	Dim. a	Dim. b	Dim. c	For	PU	Packaging	
A vibratory finish	27.5 mm	11.5 mm	41.5 mm	1.5 mm	M8	2 pieces	SS box	4001116266041
A vibratory finish	43.5 mm	19.5 mm	73.5 mm	1.5 mm	M16	2 pieces	SS box	4001116266089

### Long tube sleeve

ALU



Min. OU: 5 pcs.

· Profiles with the unique drill alignment groove

Uncoated aluminium							length: 1.00 m
Colour	Dim. a	Dim. b	Dim. c	For	Packaging		EAN/Item no.
A uncoated	11.5 mm	65.5 mm	1.5 mm	M8	loose		4001116267048
A uncoated	19.5 mm	103.6 mm	1.5 mm	M16	loose		4001116267086



# combitech<sup>®</sup> system | Basis

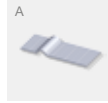
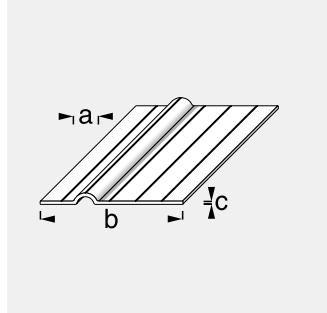
## System profiles | Aluminium

Long tube sleeve, vibratory finish

ALG



Min. OU: 5 pcs.



· Profiles with the unique drill alignment groove

Aluminium, vibratory finish

Colour	Length	Dim. a	Dim. b	Dim. c	For	PU	Packaging	EAN/Item no.
A vibratory finish	27.5mm	11.5mm	65.5mm	1.5mm	M8	2 pieces	SS box	4001116266843

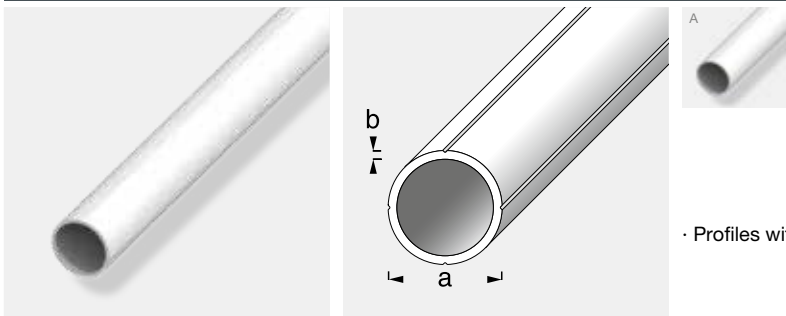


# combitech<sup>®</sup> system | Basis

## System profiles | Plastic (hard PVC)

### Round tube

PVC



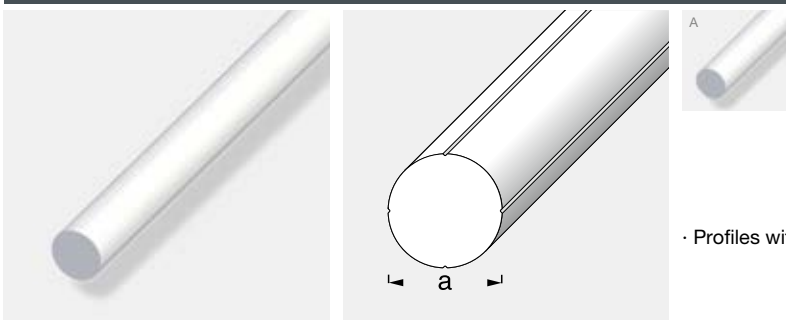
Min. OU: 5 pcs.

· Profiles with the unique drill alignment groove

Plastic (hard PVC)					length: 1.00 m	length: 2.50 m
Colour	Dim. a	Dim. b	For	Packaging	EAN / Item no.	EAN / Item no.
A white	7.5 mm	1.0 mm	M5	loose	4001116210426	4001116210624
A white	11.5 mm	1.5 mm	M8	loose	4001116210440	4001116210648
A white	15.5 mm	1.5 mm	M12	loose	4001116210464	4001116210662
A white	19.5 mm	1.5 mm	M16	loose	4001116210488	4001116210686
A white	23.5 mm	1.5 mm	M20	loose	4001116210501	4001116210709
A white	29.5 mm	2.4 mm	M24	loose	4001116210525	4001116210723
A white	35.5 mm	2.4 mm	M30	loose	4001116210549	

### Round bar

PVC



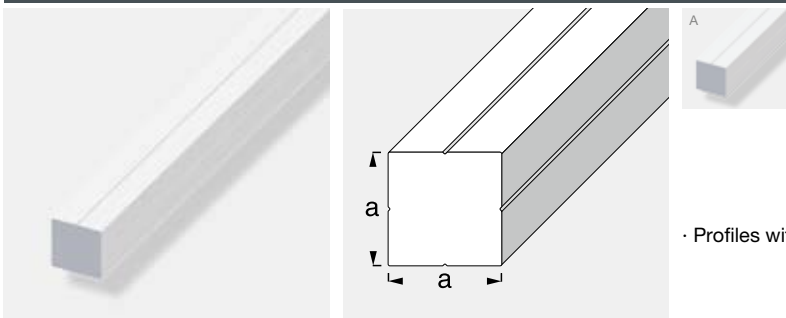
Min. OU: 5 pcs.

· Profiles with the unique drill alignment groove

Plastic (hard PVC)				length: 1.00 m	length: 2.50 m
Colour	Dim. a	Packaging		EAN / Item no.	EAN / Item no.
A white	7.5 mm	loose		4001116211225	4001116211423
A white	11.5 mm	loose		4001116211249	
A white	15.5 mm	loose		4001116211263	
A white	19.5 mm	loose		4001116211287	

### Square rod

PVC



Min. OU: 5 pcs.

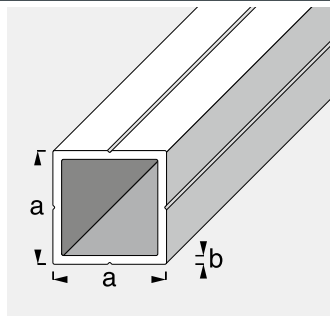
· Profiles with the unique drill alignment groove

Plastic (hard PVC)				length: 1.00 m	length: 2.50 m
Colour	Dim. a	Packaging		EAN / Item no.	EAN / Item no.
A white	7.5 mm	loose		4001116212826	4001116213021
A white	11.5 mm	loose		4001116212840	4001116213045
A white	15.5 mm	loose		4001116212864	4001116213069

# combitech<sup>®</sup> system | Basis

## System profiles | Plastic (hard PVC)

### Square tube



PVC

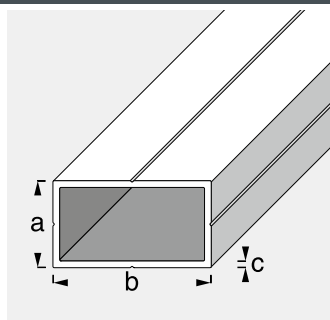


Min. OU: 5 pcs.

· Profiles with the unique drill alignment groove

Plastic (hard PVC)						length: 1.00 m	length: 2.50 m
Colour	Dim. a	Dim. b	For	Packaging		EAN / Item no.	EAN / Item no.
A white	7.5mm	1.0mm	M5	loose		4001116212024	4001116212222
A white	11.5mm	1.5mm	M8	loose		4001116212048	4001116212246
A white	15.5mm	1.5mm	M12	loose		4001116212062	4001116212260
A white	19.5mm	1.5mm	M16	loose		4001116212086	4001116212284
A white	23.5mm	1.5mm	M20	loose		4001116212109	4001116212307
A white	29.5mm	2.4mm	M24	loose		4001116212123	4001116212321
A white	35.5mm	2.4mm	M30	loose		4001116212147	4001116212345

### Rectangular tube



PVC



Min. OU: 5 pcs.

· Profiles with the unique drill alignment groove

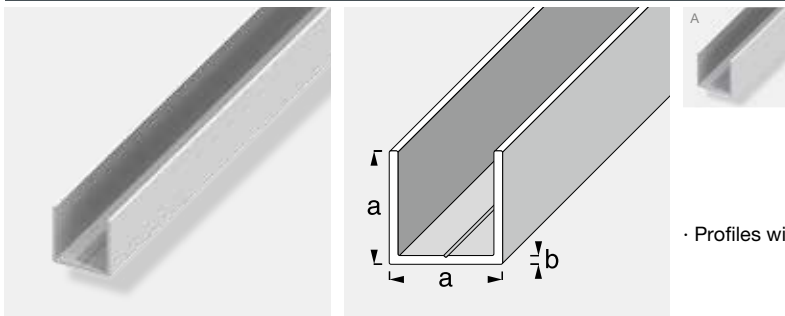
Plastic (hard PVC)						length: 1.00 m	length: 2.50 m
Colour	Dim. a	Dim. b	Dim. c	For	Packaging	EAN / Item no.	EAN / Item no.
A white	7.5mm	12.5mm	1.0mm	M5	loose	4001116213625	4001116213823
A white	11.5mm	19.5mm	1.5mm	M8	loose	4001116213649	4001116213847
A white	15.5mm	27.5mm	1.5mm	M12	loose	4001116213663	4001116213861
A white	19.5mm	35.5mm	1.5mm	M16	loose	4001116213687	4001116213885
A white	23.5mm	43.5mm	1.5mm	M20	loose	4001116213700	4001116213908

# combitech<sup>®</sup> system | Basis

## System profiles | Plastic (hard PVC)

### Square U

PVC



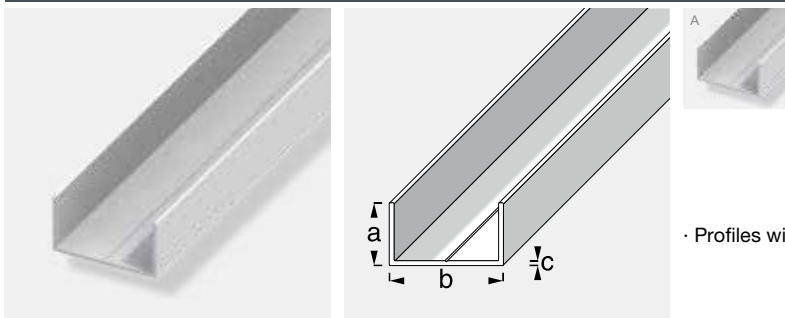
Min. OU: 5 pcs.

· Profiles with the unique drill alignment groove

Plastic (hard PVC)					length: 1.00 m	length: 2.50 m
Colour	Dim. a	Dim. b	Packaging	EAN / Item no.	EAN / Item no.	
A white	7.5 mm	1.0 mm	loose	4001116214424	4001116214622	
A white	11.5 mm	1.5 mm	loose	4001116214448	4001116214646	
A white	15.5 mm	1.5 mm	loose	4001116214462	4001116214660	
A white	19.5 mm	1.5 mm	loose	4001116214486	4001116214684	
A white	23.5 mm	1.5 mm	loose	4001116214509	4001116214707	
A white	29.5 mm	2.4 mm	loose	4001116214523	4001116214721	
A white	35.5 mm	2.4 mm	loose	4001116214547	4001116214745	

### Rectangular U

PVC



Min. OU: 5 pcs.

· Profiles with the unique drill alignment groove

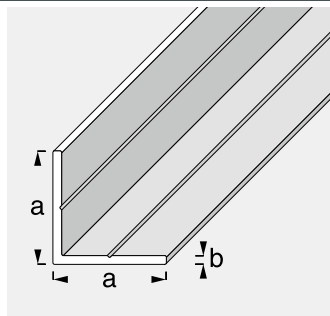
Plastic (hard PVC)					length: 1.00 m	length: 2.50 m
Colour	Dim. a	Dim. b	Dim. c	Packaging	EAN / Item no.	EAN / Item no.
A white	7.5 mm	12.5 mm	1.0 mm	loose	4001116215223	4001116215421
A white	11.5 mm	19.5 mm	1.5 mm	loose	4001116215247	4001116215445
A white	15.5 mm	27.5 mm	1.5 mm	loose	4001116215261	4001116215469
A white	19.5 mm	35.5 mm	1.5 mm	loose	4001116215285	4001116215483
A white	23.5 mm	43.5 mm	1.5 mm	loose	4001116215308	4001116215506
A white	29.5 mm	53.6 mm	2.4 mm	loose	4001116215322	4001116215520
A white	35.5 mm	65.6 mm	2.4 mm	loose	4001116215346	4001116215544



# combitech<sup>®</sup> system | Basis

## System profiles | Plastic (hard PVC)

### Angle, equal-sided



PVC

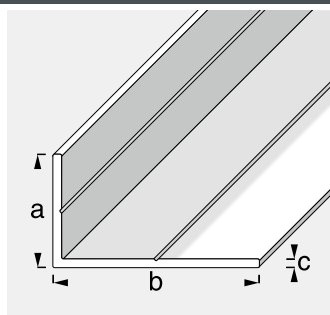


Min. OU: 5 pcs.

· Profiles with the unique drill alignment groove

Plastic (hard PVC)					length: 1.00 m	length: 2.50 m
Colour	Dim. a	Dim. b	Packaging	EAN/Item no.	EAN/Item no.	
A white	7.5mm	1.0mm	loose	4001116216022	4001116216220	
A white	11.5mm	1.5mm	loose	4001116216046	4001116216244	
A white	15.5mm	1.5mm	loose	4001116216060	4001116216268	
A white	19.5mm	1.5mm	loose	4001116216084	4001116216282	
A white	23.5mm	1.5mm	loose	4001116216107	4001116216305	
A white	29.5mm	2.4mm	loose	4001116216121	4001116216329	
A white	35.5mm	2.4mm	loose	4001116216145	4001116216343	

### Angle, unequal-sided



PVC



Min. OU: 5 pcs.

· Profiles with the unique drill alignment groove

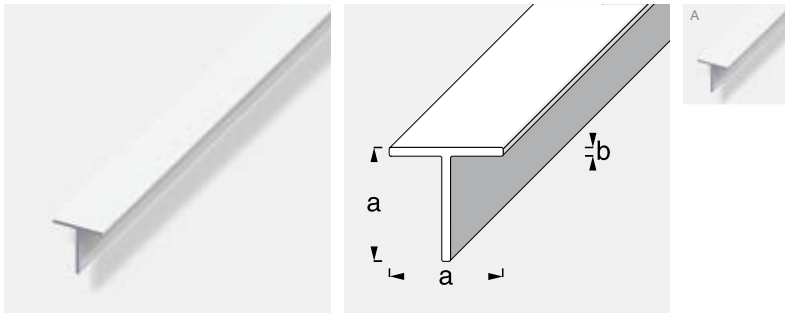
Plastic (hard PVC)					length: 1.00 m	length: 2.50 m
Colour	Dim. a	Dim. b	Dim. c	Packaging	EAN/Item no.	EAN/Item no.
A white	7.5mm	12.5mm	1.0mm	loose	4001116216824	4001116217029
A white	11.5mm	19.5mm	1.5mm	loose	4001116216848	4001116217043
A white	15.5mm	27.5mm	1.5mm	loose	4001116216862	4001116217067
A white	19.5mm	35.5mm	1.5mm	loose	4001116216886	4001116217081
A white	23.5mm	43.5mm	1.5mm	loose	4001116216909	4001116217104
A white	29.5mm	53.6mm	2.4mm	loose	4001116216923	4001116217128
A white	35.5mm	65.6mm	2.4mm	loose	4001116216947	4001116217142

# combitech<sup>®</sup> system | Basis

## System profiles | Plastic (hard PVC)

### Square T

PVC

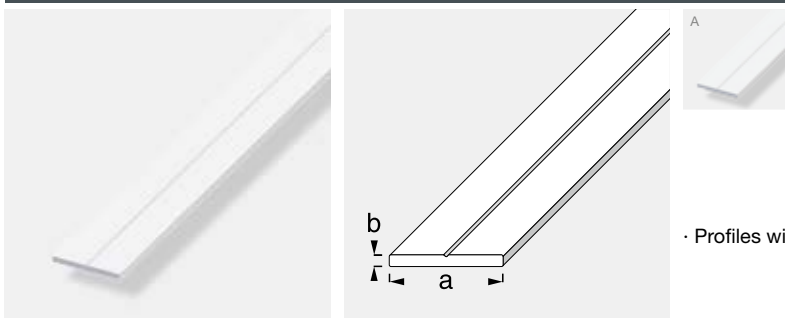


Min. OU: 5 pcs.

Plastic (hard PVC)				length: 1.00 m	length: 2.50 m
Colour	Dim. a	Dim. b	Packaging	EAN / Item no.	EAN / Item no.
A white	7.5 mm	1.0 mm	loose	4001116217623	4001116217821
A white	11.5 mm	1.5 mm	loose	4001116217647	4001116217845
A white	15.5 mm	1.5 mm	loose	4001116217661	4001116217869
A white	19.5 mm	1.5 mm	loose	4001116217685	4001116217883

### Flat bar

PVC



Min. OU: 5 pcs.

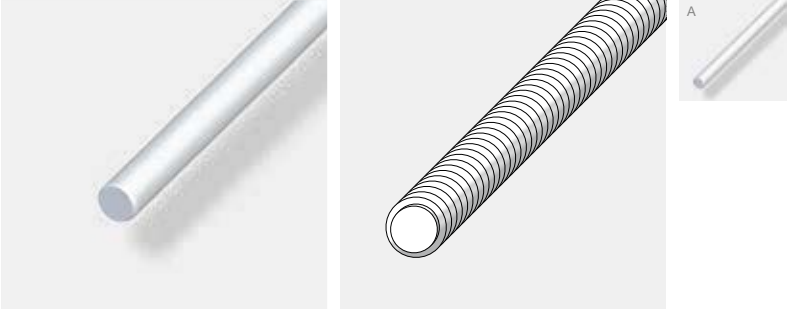
· Profiles with the unique drill alignment groove

Plastic (hard PVC)				length: 1.00 m	length: 2.50 m
Colour	Dim. a	Dim. b	Packaging	EAN / Item no.	EAN / Item no.
A white	7.5 mm	1.5 mm	loose	4001116218422	4001116218620
A white	11.5 mm	2.0 mm	loose	4001116218446	4001116218644
A white	15.5 mm	2.0 mm	loose	4001116218460	4001116218668
A white	19.5 mm	2.0 mm	loose	4001116218484	4001116218682
A white	23.5 mm	2.0 mm	loose	4001116218507	4001116218705
A white	29.5 mm	3.0 mm	loose	4001116218521	4001116218729
A white	35.5 mm	3.0 mm	loose	4001116218545	4001116218743


# combitech<sup>®</sup> system | Basis

## Metric threaded rods and threaded tubes

**Metric threaded rod**



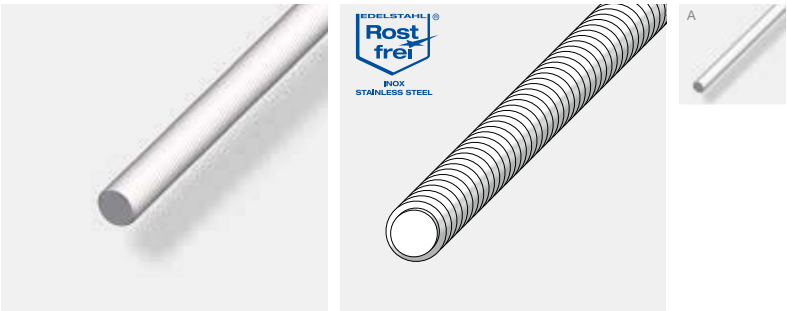
STA




Min. OU: 5 pcs.

Galvanized steel			length: 1.00 m	length: 2.00 m
Colour	Dim.	Packaging	EAN / Item no.	EAN / Item no.
A galvanized	M3	loose	4001116300004	
A galvanized	M4	loose	4001116300011	
A galvanized	M5	loose	4001116300028	
A galvanized	M6	loose	4001116300035	
A galvanized	M7	loose	4001116307072	
A galvanized	M8	loose	4001116300042	4001116300141
A galvanized	M10	loose	4001116300059	4001116300158
A galvanized	M12	loose	4001116300066	4001116300165
A galvanized	M14	loose	4001116300073	
A galvanized	M16	loose	4001116300080	4001116300189
A galvanized	M18	loose	4001116307188	
A galvanized	M20	loose	4001116300097	4001116300196

**Metric threaded rod**



EDL



Min. OU: 5 pcs.

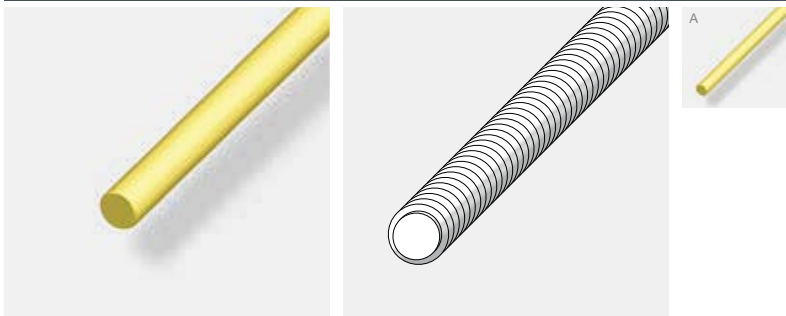
Stainless steel V2A			length: 1.00 m
Colour	Dim.	Packaging	EAN / Item no.
A stainless steel	M3	loose	4001116300202
A stainless steel	M4	loose	4001116300219
A stainless steel	M5	loose	4001116300226
A stainless steel	M6	loose	4001116300233
A stainless steel	M8	loose	4001116300240
A stainless steel	M10	loose	4001116300257
A stainless steel	M12	loose	4001116300264
A stainless steel	M16	loose	4001116300288
A stainless steel	M20	loose	4001116300295

# combitech<sup>®</sup> system | Basis

## Metric threaded rods and threaded tubes

### Metric threaded rod

MES

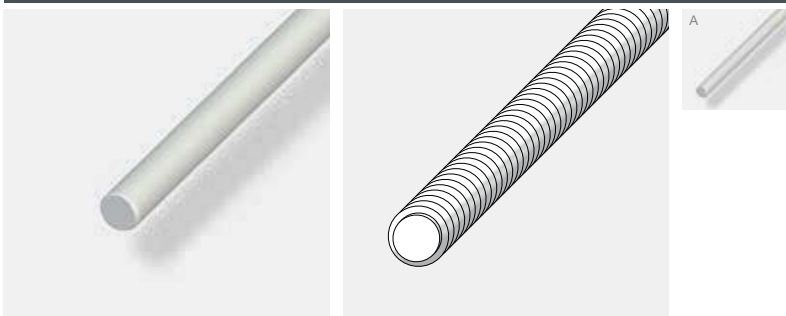


Min. OU: 5 pcs.

Solid brass			length: 1.00 m
Colour	Dim.	Packaging	EAN / Item no.
A brass	M3	loose	400111630030 1
A brass	M4	loose	400111630031 8
A brass	M5	loose	400111630032 5
A brass	M6	loose	400111630033 2
A brass	M8	loose	400111630034 9
A brass	M10	loose	400111630035 6

### Metric threaded rod

PA

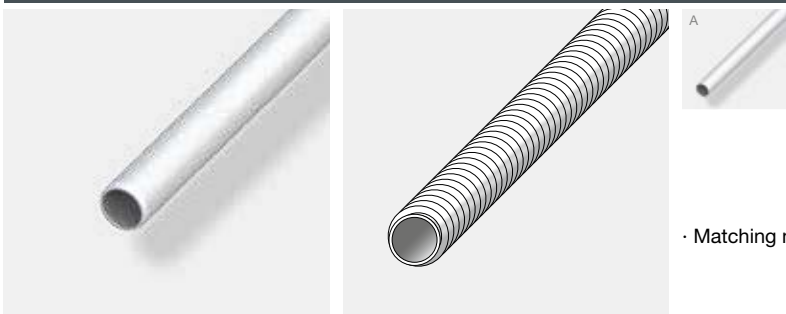


Min. OU: 5 pcs.

Plastic (PA)			length: 1.00 m
Colour	Dim.	Packaging	EAN / Item no.
A natural	M5	loose	400111630042 4
A natural	M6	loose	400111630043 1
A natural	M8	loose	400111630044 8

### Metric threaded tube

STA



Min. OU: 5 pcs.

· Matching nut, item no. 3015


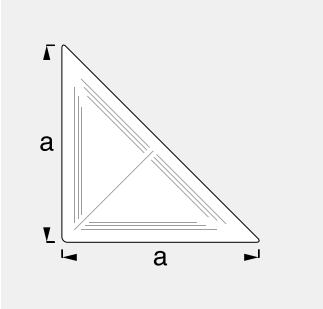

Galvanized steel				length: 1.00 m
Colour	Dim. 1	Dim. 2	Packaging	EAN / Item no.
A galvanized	M 10	1,0mm	loose	400111634801 3




# combitech<sup>®</sup> system | Basis

## System accessories

**Gusset** ALU







Min. OU: 5 pcs.

· Profiles with the unique drill alignment groove

Uncoated aluminium				
Colour	Dim. a	PU	Packaging	EAN / Item no.
A uncoated	60.0mm	4 pieces	SS box	4001116297960
A uncoated	110.0mm	2 pieces	SS box	4001116297977
A uncoated	160.0mm	1 piece	SS box	4001116297984

**Step drill** STA


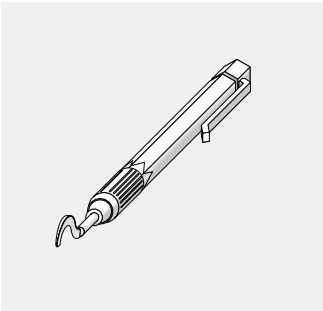




Min. OU: 5 pcs.

· Drill large drill holes easily and without drilling rigs  
 · Step drill with 7 integrated drill steps/hole diameters; for a size 10 drill chuck  
 · Drill holes correspond to the **combitech** dimensions, plus 0.2mm of tolerance

Steel/HSS			Packaging	EAN / Item no.
For hole dimensions				
A	4,8/7,7/11,7/15,7/19,7/23,7/29,7mm		clap-pac	4001116297991

**Universal deburrer** ALU



Min. OU: 5 pcs.

· Deburred edges prevent injuries  
 · Makes it easier to insert the connect connectors

Colour	Packaging	EAN / Item no.
A blue	SS box	4001116286612

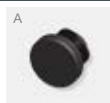
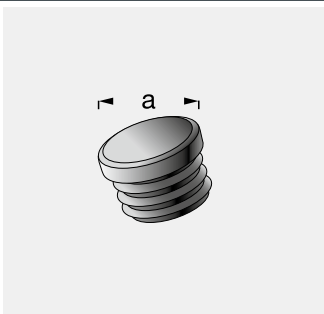
Hardware catalogue | 97002 | 01 2017 | 71708

# combitech<sup>®</sup> system | Basis

## System accessories

### End cap, round

PE



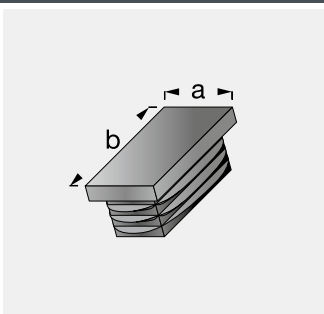
Min. OU: 5 pcs.

· The round end cap fits into the **combitech**<sup>®</sup> round tubes of the appropriate size

Plastic (PE)					
Colour	Dim. a	PU	Packaging	EAN / Item no.	
A black	11.5mm	4 pieces	SS box	400111629804 2	
A black	15.5mm	2 pieces	SS box	400111629806 6	
A black	19.5mm	2 pieces	SS box	400111629808 0	
A black	23.5mm	2 pieces	SS box	400111629810 3	
A black	29.5mm	2 pieces	SS box	400111629812 7	
A black	35.5mm	2 pieces	SS box	400111629814 1	

### End cap, rectangular

PE



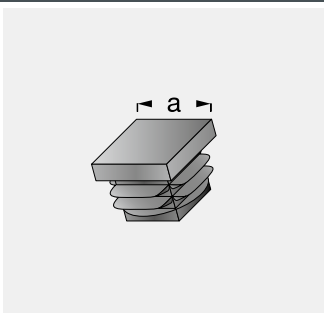
Min. OU: 5 pcs.

· The rectangular end cap fits into the **combitech**<sup>®</sup> rectangular tubes of the appropriate size

Plastic (PE)					
Colour	Dim. a	Dim. b	PU	Packaging	EAN / Item no.
A black	19.5mm	35.5mm	2 pieces	SS box	400111629848 6
A black	23.5mm	43.5mm	2 pieces	SS box	400111629850 9

### End cap, square

PE



Min. OU: 5 pcs.

· The square end cap fits into the **combitech**<sup>®</sup> square tubes of the appropriate size

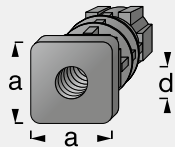
Plastic (PE)					
Colour	Dim. a	PU	Packaging	EAN / Item no.	
A black	11.5mm	4 pieces	SS box	400111629824 0	
A black	15.5mm	2 pieces	SS box	400111629826 4	
A black	19.5mm	2 pieces	SS box	400111629828 8	
A black	23.5mm	2 pieces	SS box	400111629830 1	
A black	29.5mm	2 pieces	SS box	400111629832 5	
A black	35.5mm	2 pieces	SS box	400111629834 9	

# combitech<sup>®</sup> system | Basis

## System accessories

### Threaded plug

PA



Min. OU: 5 pcs.

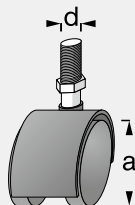
- Suitable for 23.5 squaremm tube and for M10 screws/threaded rods
- Connects 2 square tubes or another component to a square tube

#### Plastic (PA)

Colour	Dim. a	Dim. d	PU	Packaging	EAN / Item no.
A black	23.5 mm	M10	2 pieces	SS box	4001116 303838

### Furniture caster

STA



Min. OU: 5 pcs.

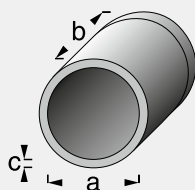
- Furniture casters with an M10 thread, suitable for threaded plugs
- Soft and hard casters are available
- Casters with a load capacity of 50 kg

#### Steel/plastic (PU)

Colour	Dim. a	Dim. d	None	Packaging	EAN / Item no.
A black	40.0mm	M10	hard	loose	4001116 303852
A black	40.0mm	M10	soft	loose	4001116 303869

### Rubber cap

PVC



Min. OU: 5 pcs.

#### Plastic (soft PVC)

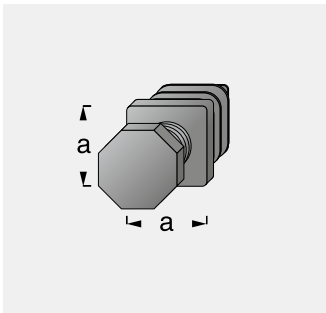
Colour	Dim. a	Dim. b	Dim. c	For	PU	Packaging	EAN / Item no.
A black	4.5mm	10.0mm	1.2mm	M5	6 pieces	SS box	4001116 300523
A black	5.5mm	10.0mm	1.2mm	M6	6 pieces	SS box	4001116 300530
A black	7.5mm	15.0mm	1.2mm	M8	4 pieces	SS box	4001116 300547
A black	9.5mm	20.0mm	1.2mm	M10	4 pieces	SS box	4001116 300554
A black	11.5mm	20.0mm	1.2mm	M12	2 pieces	SS box	4001116 300561
A black	15.5mm	30.0mm	1.2mm	M16	2 pieces	SS box	4001116 300585
A black	19.5mm	30.0mm	1.2mm	M20	2 pieces	SS box	4001116 300592

# combitech<sup>®</sup> system | Basis

## System accessories

### Adjustable foot

PA



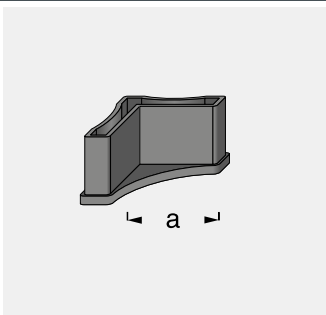
Min. OU: 5 pcs.

- To smooth out bumps in the floor
- Suitable for 23.5 mm square tube

Plastic (PA)					
Colour	Dim. a	PU	Packaging	EAN / Item no.	
A black	23.5 mm	2 pieces	SS box	400111630384 5	

### Shelf unit foot

PA



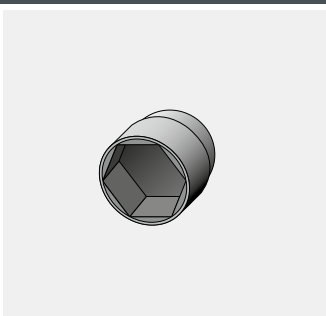
Min. OU: 5 pcs.

- For all even-branched **combitech** system profile brackets with dimension a = 23.5 mm or 35.5 mm

Plastic (PA)					
Colour	Dim. a	PU	Packaging	EAN / Item no.	
A black	23.5 mm	2 pieces	SS box	400111639490 4	
A black	35.5 mm	2 pieces	SS box	400111639491 1	

### Hexagon cap

PE



Min. OU: 5 pcs.

Plastic (PE)						
Colour	For	Wrench size	PU	Packaging	EAN / Item no.	
A black	M5	8	6 pieces	SS box	400111630122 3	
A black	M6	10	6 pieces	SS box	400111630123 0	
A black	M8	13	4 pieces	SS box	400111630124 7	
A black	M10	17	4 pieces	SS box	400111630125 4	
A black	M12	19	2 pieces	SS box	400111630126 1	
A black	M16	24	2 pieces	SS box	400111630128 5	
A black	M20	30	1 piece	SS box	400111630129 2	

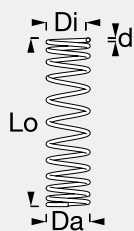


# combitech<sup>®</sup> system | Basis

## System accessories

### Compression spring

STA



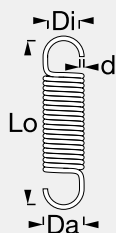
Min. OU: 5 pcs.

#### Standard version, steel

Dim.	Dim. d	Dim. Da	Dim. Di	Dim. Lo	Spring rate	PU	Packaging	EAN / Item no.
A M5	0.7mm	7.5mm	6.1mm	35.8mm	0.819 N/mm	2 pieces	SS box	4001116 298622
A M5	1.0mm	7.3mm	5.3mm	30.5mm	3.259 N/mm	2 pieces	SS box	4001116 298820
A M8	0.8mm	10.8mm	9.2mm	66.0mm	0.334 N/mm	2 pieces	SS box	4001116 298646
A M8	1.0mm	11.0mm	9.0mm	67.0mm	0.657 N/mm	2 pieces	SS box	4001116 298844
A M12	0.9mm	15.0mm	13.2mm	59.7mm	0.434 N/mm	2 pieces	SS box	4001116 298660
A M12	1.4mm	15.0mm	12.2mm	65.3mm	1.638 N/mm	2 pieces	SS box	4001116 298868
A M16	1.25mm	19.0mm	16.5mm	75.0mm	0.523 N/mm	1 piece	SS box	4001116 298684
A M16	1.6mm	19.8mm	16.6mm	104.0mm	0.82 N/mm	1 piece	SS box	4001116 298882
A M20	1.4mm	24.0mm	21.2mm	93.0mm	0.616 N/mm	1 piece	SS box	4001116 298905
A M20	1.6mm	23.6mm	20.4mm	27.5mm	1.254 N/mm	1 piece	SS box	4001116 298707
A M24	1.6mm	28.0mm	24.8mm	85.0mm	0.66 N/mm	1 piece	SS box	4001116 298721
A M24	2.8mm	30.0mm	24.4mm	70.7mm	5.658 N/mm	1 piece	SS box	4001116 298929
A M30	1.5mm	34.0mm	31.0mm	107.0mm	0.273 N/mm	1 piece	SS box	4001116 298745
A M30	2.0mm	34.0mm	30.0mm	120.0mm	0.904 N/mm	1 piece	SS box	4001116 298943

### Tension spring

STA



Min. OU: 5 pcs.

· Standard version, steel

#### Standard version, steel

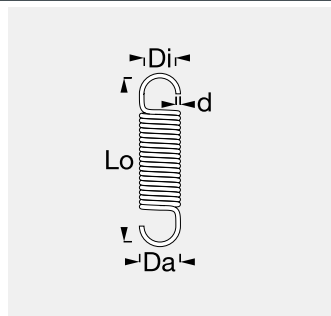
Dim.	Dim. d	Dim. Da	Dim. Di	Dim. Lo	Spring rate	PU	Packaging	EAN / Item no.
A M5	0.45mm	5.0mm	4.1mm	18.3mm	0.181 N/mm	2 pieces	SS box	4001116 299025
A M8	0.5mm	8.0mm	7.0mm	33.2mm	0.036 N/mm	2 pieces	SS box	4001116 299049
A M12	0.8mm	10.8mm	9.2mm	35.5mm	0.17 N/mm	2 pieces	SS box	4001116 299063
A M16	1.0mm	13.5mm	11.5mm	59.4mm	0.132 N/mm	1 piece	SS box	4001116 299087
A M20	1.25mm	17.2mm	14.7mm	70.8mm	0.168 N/mm	1 piece	SS box	4001116 299100
A M24	1.6mm	21.6mm	18.4mm	85.0mm	0.249 N/mm	1 piece	SS box	4001116 299124
A M30	2.0mm	27.0mm	23.0mm	118.0mm	0.264 N/mm	1 piece	SS box	4001116 299148

# combitech<sup>®</sup> system | Basis

## System accessories

### Tension spring

STA



Min. OU: 5 pcs.

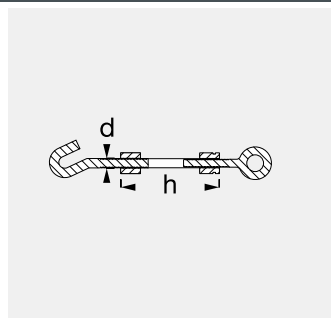
· More powerful version in steel

#### More powerful version in steel

Dim.	Dim. d	Dim. Da	Dim. Di	Dim. Lo	Spring rate	PU	Packaging	EAN / Item no.
A M5	0.8mm	4.8mm	3.2mm	15.5mm	5.67 N/mm	2 pieces	SS box	4001116299223
A M8	0.8mm	8.0mm	6.4mm	26.5mm	0.604 N/mm	2 pieces	SS box	4001116299247
A M12	1.0mm	11.0mm	9.0mm	40.4mm	0.416 N/mm	2 pieces	SS box	4001116299261
A M16	1.4mm	15.0mm	12.2mm	55.9mm	0.635 N/mm	1 piece	SS box	4001116299285
A M20	1.6mm	17.6mm	14.4mm	64.6mm	0.665 N/mm	1 piece	SS box	4001116299308
A M24	2.2mm	24.0mm	19.6mm	88.6mm	0.94 N/mm	1 piece	SS box	4001116299322
A M30	2.5mm	27.5mm	22.5mm	101.0mm	1.04 N/mm	1 piece	SS box	4001116299346

### Turnbuckle with hook and eye, DIN 1480

STA



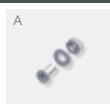
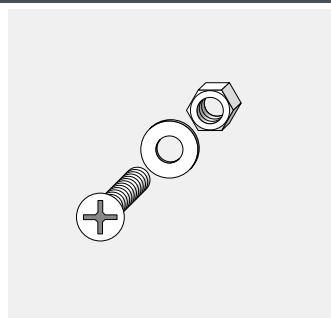
Min. OU: 5 pcs.

#### Galvanized steel

Dim. d	Dim. h	Packaging	EAN / Item no.
A M5	50.0mm	SS box	4001116301926
A M8	110.0mm	SS box	4001116301940

### Countersunk screw set

STA



Min. OU: 5 pcs.

#### Galvanized steel

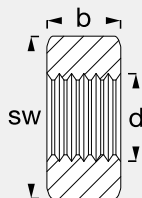
Screw size	Length	PU	Packaging	EAN / Item no.
A M2	4.0mm	20 pieces	each, SS box	4001116286841
A M2	6.0mm	20 pieces	each, SS box	4001116286834
A M2	8.0mm	20 pieces	each, SS box	4001116286858

# combitech<sup>®</sup> system | Basis

## System accessories

### Hexagon nut

STA



Min. OU: 5 pcs.

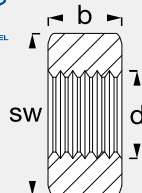
· For metric threaded tube M10 x 1

### Galvanized steel

Dim. d	Dim. b	Wrench size	PU	Packaging	EAN / Item no.
A M10	3.0mm	14	4 pieces	SS box	4001116302152

### Hexagon nut, DIN 934

EDL



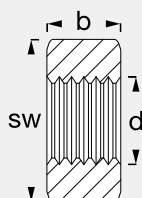
Min. OU: 5 pcs.

### Stainless steel V2A

Dim. d	Dim. b	Wrench size	PU	Packaging	EAN / Item no.
A M3	2.4mm	6	10 pieces	SS box	4001116300707
A M4	3.2mm	7	10 pieces	SS box	4001116300714
A M5	4.0mm	8	6 pieces	SS box	4001116300721
A M6	5.0mm	10	6 pieces	SS box	4001116300738
A M8	6.5mm	13	4 pieces	SS box	4001116300745
A M10	8.0mm	17	4 pieces	SS box	4001116300752
A M12	10.0mm	19	2 pieces	SS box	4001116300769
A M16	13.0mm	24	2 pieces	SS box	4001116300783
A M20	16.0mm	30	1 piece	SS box	4001116300790

### Hexagon nut, DIN 934

STA



Min. OU: 5 pcs.

### Galvanized steel

Dim. d	Dim. b	Wrench size	PU	Packaging	EAN / Item no.
A M3	2.4mm	6	10 pieces	SS box	4001116300608
A M4	3.2mm	7	10 pieces	SS box	4001116300615
A M5	4.0mm	8	6 pieces	SS box	4001116300622
A M6	5.0mm	10	6 pieces	SS box	4001116300639

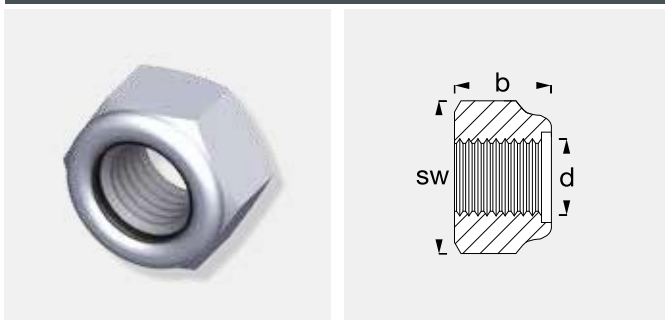
# combitech<sup>®</sup> system | Basis

## System accessories

Continued from the previous page

Galvanized steel						
Dim. d	Dim. b	Wrench size	PU	Packaging	EAN / Item no.	
A M8	6.5mm	13	4 pieces	SS box	400111630064 6	
A M10	8.0mm	17	4 pieces	SS box	400111630065 3	
A M12	10.0mm	19	2 pieces	SS box	400111630066 0	
A M14	11.0mm	22	2 pieces	SS box	400111630067 7	
A M16	13.0mm	24	2 pieces	SS box	400111630068 4	
A M20	16.0mm	30	1 piece	SS box	400111630069 1	

### Hexagon nut, self-locking, DIN 985



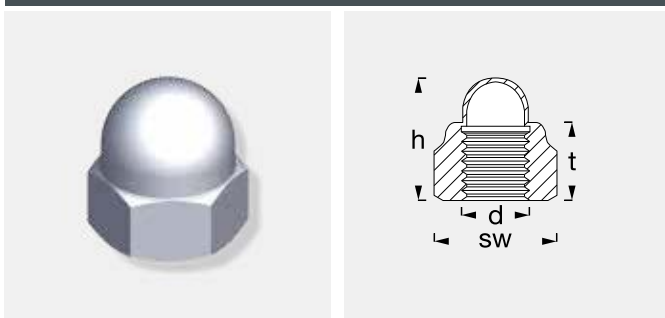
STA



Min. OU: 5 pcs.

Galvanized steel						
Dim. d	Dim. b	Wrench size	PU	Packaging	EAN / Item no.	
A M3	4.0mm	6	10 pieces	SS box	400111630100 1	
A M4	5.0mm	7	10 pieces	SS box	400111630101 8	
A M5	5.0mm	8	6 pieces	SS box	400111630102 5	
A M6	6.0mm	10	6 pieces	SS box	400111630103 2	
A M8	8.0mm	13	4 pieces	SS box	400111630104 9	
A M10	10.0mm	17	4 pieces	SS box	400111630105 6	
A M12	12.0mm	19	2 pieces	SS box	400111630106 3	
A M16	16.0mm	24	2 pieces	SS box	400111630108 7	
A M20	20.0mm	30	1 piece	SS box	400111630109 4	

### Hexagon cap nut, self-locking, DIN 986



STA



Min. OU: 5 pcs.

Galvanized steel						
Dim. d	Dim. h	Dim. t	Wrench size	PU	Packaging	EAN / Item no.
A M5	10.0mm	7.5mm	8	6 pieces	SS box	400111630112 4
A M6	12.0mm	8.0mm	10	6 pieces	SS box	400111630113 1
A M8	15.0mm	11.0mm	13	4 pieces	SS box	400111630114 8
A M10	18.0mm	13.0mm	17	4 pieces	SS box	400111630115 5
A M12	22.0mm	16.0mm	19	2 pieces	SS box	400111630116 2

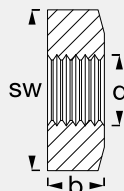


# combitech<sup>®</sup> system | Basis

## System accessories

### Square nut, self-locking; DIN 557

STA



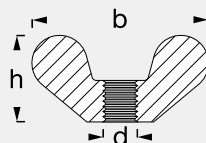
Min. OU: 5 pcs.

#### Galvanized steel

Dim. d	Dim. b	Wrench size	PU	Packaging	EAN / Item no.
A M5	4.0mm	8	6 pieces	SS box	4001116301322
A M6	5.0mm	10	6 pieces	SS box	4001116301339
A M8	6.5mm	13	4 pieces	SS box	4001116301346
A M10	8.0mm	17	4 pieces	SS box	4001116301353
A M12	10.0mm	19	2 pieces	SS box	4001116301360

### Wing nut, American shape

STA



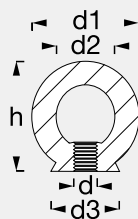
Min. OU: 5 pcs.

#### Galvanized steel

Dim. d	Dim. b	Dim. h	PU	Packaging	EAN / Item no.
A M5	25.0mm	12.0mm	6 pieces	SS box	4001116301421
A M6	32.0mm	16.0mm	6 pieces	SS box	4001116301438
A M8	38.0mm	20.0mm	4 pieces	SS box	4001116301445
A M10	50.0mm	25.0mm	4 pieces	SS box	4001116301452
A M12	64.0mm	32.0mm	2 pieces	SS box	4001116301469

### Lifting eye nut, DIN 582

STA



Min. OU: 5 pcs.

#### Galvanized steel

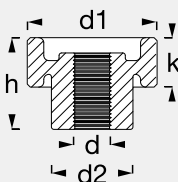
Dim. d	Dim. d1	Dim. d2	Dim. d3	Dim. h	Load	Packaging	EAN / Item no.
A M8	36.0mm	20.0mm	20.0mm	36.0mm	140.0 kg max.	SS box	4001116301544
A M12	54.0mm	30.0mm	30.0mm	53.0mm	340.0 kg max.	SS box	4001116301568

# combitech<sup>®</sup> system | Basis

## System accessories

### Knurled nut, black, with thread

PA



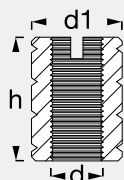
Min. OU: 5 pcs.

#### Plastic (PA)

Dim. d	Dim. d1	Dim. d2	Dim. h	Dim. k	PU	Packaging	EAN / Item no.
A M5	15.0mm	10.0mm	10.5mm	5.7mm	4 pieces	SS box	4001116301629
A M8	25.5mm	16.0mm	18.0mm	9.7mm	1 piece	SS box	4001116301643

### Anchor nut, DIN 7965

STA



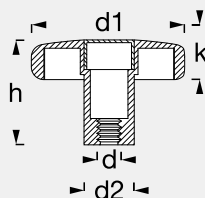
Min. OU: 5 pcs.

#### Steel

Dim. d	Dim. d1	Dim. h	PU	Packaging	EAN / Item no.
A M5	10.0mm	12.0mm	4 pieces	SS box	4001116301728
A M6	12.0mm	15.0mm	4 pieces	SS box	4001116301735
A M8	16.0mm	18.0mm	2 pieces	SS box	4001116301742
A M10	18.5mm	20.0mm	2 pieces	SS box	4001116301759
A M12	22.0mm	30.0mm	1 piece	SS box	4001116301766

### Hand wheel, black, with thread

PA



Min. OU: 5 pcs.

#### Plastic (PA)

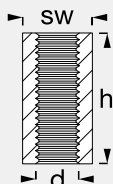
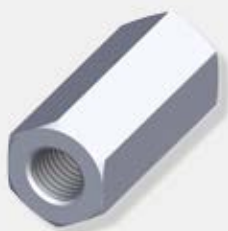
Dim. d	Dim. d1	Dim. d2	Dim. h	Dim. k	Packaging	EAN / Item no.
A M8	62.0mm	20.0mm	40.0mm	17.0mm	SS box	4001116302244
A M10	62.0mm	24.0mm	40.0mm	17.0mm	SS box	4001116302251

# combitech<sup>®</sup> system | Basis

## System accessories

### Hexagon connection sleeve

STA



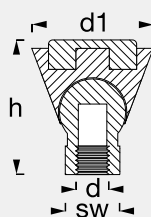
Min. OU: 5 pcs.

#### Galvanized steel

Dim. d	Dim. h	PU	Packaging	EAN / Item no.
A M5	30.0 mm	4 pieces	SS box	4001116 301827
A M6	30.0 mm	4 pieces	SS box	4001116 301834
A M8	30.0 mm	2 pieces	SS box	4001116 301841
A M10	30.0 mm	2 pieces	SS box	4001116 301858
A M12	30.0 mm	1 piece	SS box	4001116 301865

### Hinged plate, black, with thread

STA



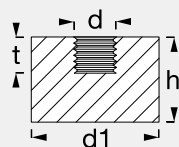
Min. OU: 5 pcs.

#### Galvanized steel

Dim. d	Dim. d1	Dim. h	Wrench size	Packaging	EAN / Item no.
A M8	30.0 mm	30.0 mm	14	SS box	4001116 302046

### Rubber buffer, black, with thread

STA



Min. OU: 5 pcs.

#### Steel/rubber

Dim. d	Dim. d1	Dim. t	Dim. h	Packaging	EAN / Item no.
A M8	30.0 mm	8.5 mm	20.0 mm	SS box	4001116 303647

# combitech<sup>®</sup> system | Basis

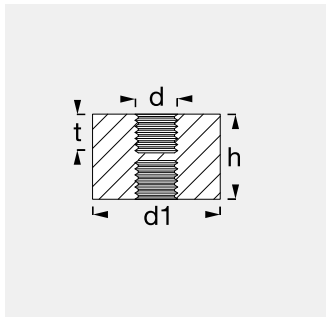
## System accessories

### Rubber buffer, black, with double-sided thread

STA



Min. OU: 5 pcs.



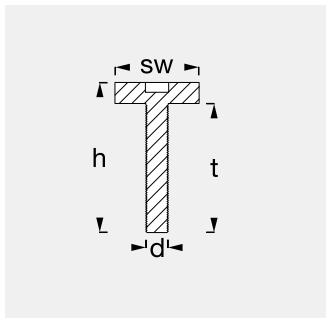
Steel/rubber						
Dim. d	Dim. d1	Dim. t	Dim. h	Packaging	EAN / Item no.	
A M8	30.0mm	8.5 mm	20.0mm	SS box	4001116303746	

### Adjustable foot, black, with thread

STA



Min. OU: 5 pcs.



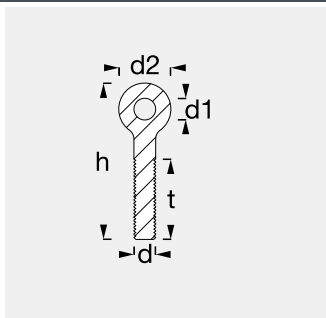
Galvanized steel/plastic (PVC)						
Dim. d	Dim. h	Dim. t	Wrench size	Packaging	EAN / Item no.	
A M8	54.0mm	46.0mm	30	SS box	4001116303548	

### Eye bolt, DIN 444

STA



Min. OU: 5 pcs.



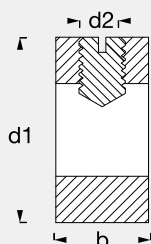
Galvanized steel							
Dim. d	Dim. d1	Dim. d2	Dim. t	Dim. h	PU	Packaging	EAN / Item no.
A M5	5.0mm	11.3mm	16.0mm	36.0mm	4 pieces	SS box	4001116303425
A M8	8.0mm	20.0mm	25.0mm	48.7 mm	2 pieces	SS box	4001116303449

# combitech<sup>®</sup> system | Basis

## System accessories

### Adjustable ring, DIN 705

STA



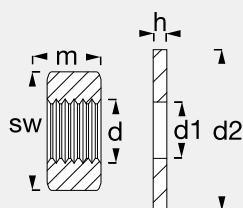
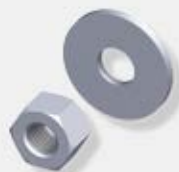
Min. OU: 5 pcs.

#### Galvanized steel

For thread	Dim. d	Dim. d1	Dim. d2	Dim. b	PU	Packaging	EAN/Item no.
A M5	5.0mm	10.0mm	M3	6.0mm	6 pieces	SS box	4001116 303326
A M6	6.0mm	12.0mm	M4	8.0mm	6 pieces	SS box	4001116 303333
A M8	8.0mm	16.0mm	M4	8.0mm	4 pieces	SS box	4001116 303340
A M10	10.0mm	20.0mm	M5	10.0mm	4 pieces	SS box	4001116 303357
A M12	12.0mm	22.0mm	M6	12.0mm	1 piece	SS box	4001116 303364

### Set: Hexagon nuts, DIN 934, with washers, DIN 9021

STA



Min. OU: 5 pcs.

#### Galvanized steel

Dim. d1	Dim. m	Wrench size	Dim. d	Dim. d2	Dim. h	PU	Packaging	EAN/Item no.
A M3	2.4mm	6	3.2mm	9.0mm	0.8mm	20 pieces	each, SS box	4001116 307706
A M4	3.2mm	7	4.3mm	12.0mm	1.0mm	10 pieces	each, SS box	4001116 307713
A M5	4.0mm	8	5.3mm	15.0mm	1.2mm	10 pieces	each, SS box	4001116 307720
A M6	5.0mm	10	6.4mm	18.0mm	1.6mm	6 pieces	each, SS box	4001116 307737
A M8	6.5mm	13	8.4mm	24.0mm	2.0mm	6 pieces	each, SS box	4001116 307744
A M10	8.0mm	17	10.5mm	30.0mm	2.5mm	4 pieces	each, SS box	4001116 307751
A M12	10.0mm	19	13.0mm	37.0mm	3.0mm	2 pieces	each, SS box	4001116 307768
A M14	11.0mm	22	15.0mm	44.0mm	3.0mm	2 pieces	each, SS box	4001116 307775
A M16	13.0mm	24	17.0mm	50.0mm	3.0mm	2 pieces	each, SS box	4001116 307782
A M20	16.0mm	30	22.0mm	60.0mm	4.0mm	1 piece	each, SS box	4001116 307799

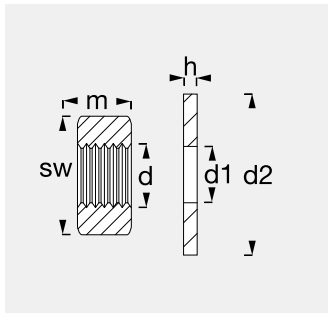
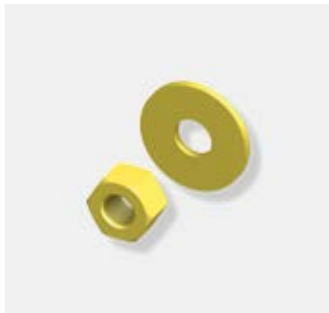


# combitech<sup>®</sup> system | Basis

## System accessories

Set: Hexagon nuts, DIN 934, with washers, DIN 9021

MES

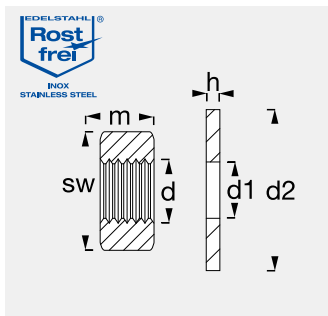


Min. OU: 5 pcs.

Solid brass								
Dim. d1	Dim. m	Wrench size	Dim. d	Dim. d2	Dim. h	PU	Packaging	EAN/Item no.
A M3	2.4mm	6	3.2mm	9.0mm	0.8mm	20 pieces	each, SS box	4001116307805
A M4	3.2mm	7	4.3mm	12.0mm	1.0mm	20 pieces	each, SS box	4001116307812
A M5	4.0mm	8	5.3mm	15.0mm	1.2mm	10 pieces	each, SS box	4001116307829
A M6	5.0mm	10	6.4mm	18.0mm	1.2mm	10 pieces	each, SS box	4001116307836
A M8	6.5mm	13	8.4mm	24.0mm	2.0mm	6 pieces	each, SS box	4001116307843
A M10	8.0mm	17	10.5mm	30.0mm	2.5mm	2 pieces	each, SS box	4001116307850
A M12	10.0mm	19	13.0mm	37.0mm	3.0mm	2 pieces	each, SS box	4001116307867

Set: Hexagon nuts, DIN 934, with washers, DIN 9021

EDL



Min. OU: 5 pcs.

Stainless steel								
Dim. d1	Dim. m	Wrench size	Dim. d	Dim. d2	Dim. h	PU	Packaging	EAN/Item no.
A M3	2.4mm	6	3.2mm	9.0mm	0.8mm	20 pieces	each, SS box	4001116307904
A M4	3.2mm	7	4.3mm	12.0mm	1.0mm	20 pieces	each, SS box	4001116307911
A M5	4.0mm	8	5.3mm	15.0mm	1.2mm	10 pieces	each, SS box	4001116307928
A M6	5.0mm	10	6.4mm	18.0mm	1.6mm	10 pieces	each, SS box	4001116307935
A M8	6.5mm	13	8.4mm	24.0mm	2.0mm	6 pieces	each, SS box	4001116307942
A M10	8.0mm	17	10.5mm	30.0mm	2.5mm	2 pieces	each, SS box	4001116307959
A M12	10.0mm	19	13.0mm	37.0mm	3.0mm	2 pieces	each, SS box	4001116307966

Hardware catalogue | 97002 | 01 2017 | 71708

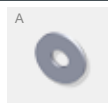
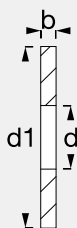
combitech system | Basis

# combitech<sup>®</sup> system | Basis

## System accessories

### Washer, DIN 9021

STA



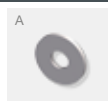
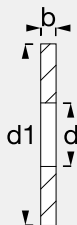
Min. OU: 5 pcs.

#### Galvanized steel

For thread	Dim. d	Dim. d1	Dim. b	PU	Packaging	EAN / Item no.
A M3	3.2mm	9.0mm	0.8mm	10 pieces	SS box	4001116 302305
A M4	4.3mm	12.0mm	1.0mm	10 pieces	SS box	4001116 302312
A M5	5.3mm	15.0mm	1.2mm	6 pieces	SS box	4001116 302329
A M6	6.4mm	18.0mm	1.6mm	6 pieces	SS box	4001116 302336
A M8	8.4mm	24.0mm	2.0mm	4 pieces	SS box	4001116 302343
A M10	10.5mm	30.0mm	2.5mm	4 pieces	SS box	4001116 302350
A M12	13.0mm	37.0mm	3.0mm	2 pieces	SS box	4001116 302367
A M14	15.0mm	44.0mm	3.0mm	2 pieces	SS box	4001116 302374
A M16	17.0mm	50.0mm	3.0mm	2 pieces	SS box	4001116 302381
A M20	22.0mm	60.0mm	4.0mm	1 piece	SS box	4001116 302398

### Washer, DIN 9021

EDL



Min. OU: 5 pcs.

#### Stainless steel V2A

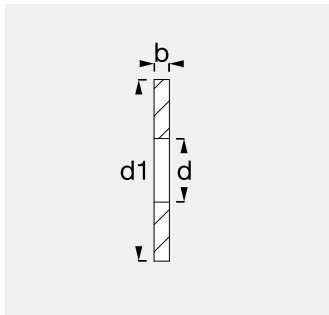
For thread	Dim. d	Dim. d1	Dim. b	PU	Packaging	EAN / Item no.
A M3	3.2mm	9.0mm	0.8mm	10 pieces	SS box	4001116 302404
A M4	4.3mm	12.0mm	1.0mm	10 pieces	SS box	4001116 302411
A M5	5.3mm	15.0mm	1.2mm	6 pieces	SS box	4001116 302428
A M6	6.4mm	18.0mm	1.6mm	6 pieces	SS box	4001116 302435
A M8	8.4mm	24.0mm	2.0mm	4 pieces	SS box	4001116 302442
A M10	10.5mm	30.0mm	2.5mm	4 pieces	SS box	4001116 302459
A M12	13.0mm	37.0mm	3.0mm	2 pieces	SS box	4001116 302466
A M16	17.0mm	50.0mm	3.0mm	2 pieces	SS box	4001116 302480
A M20	22.0mm	60.0mm	4.0mm	1 piece	SS box	4001116 302497

# combitech<sup>®</sup> system | Basis

## System accessories

### Washer, DIN 9021

PA

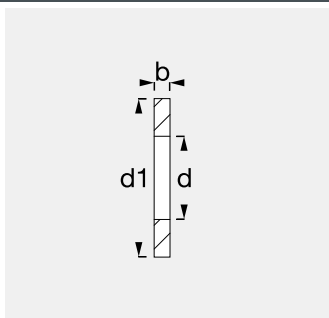


Min. OU: 5 pcs.

Plastic (PA)							
	For thread	Dim. d	Dim. d1	Dim. b	PU	Packaging	EAN / Item no.
A	M3	3.2 mm	9.0 mm	0.8 mm	10 pieces	SS box	4001116302602
A	M4	4.3 mm	12.0 mm	1.0 mm	10 pieces	SS box	4001116302619
A	M5	5.3 mm	15.0 mm	1.2 mm	6 pieces	SS box	4001116302626
A	M6	6.4 mm	18.0 mm	1.6 mm	6 pieces	SS box	4001116302633
A	M8	8.4 mm	24.0 mm	2.0 mm	4 pieces	SS box	4001116302640
A	M10	10.5 mm	30.0 mm	2.5 mm	4 pieces	SS box	4001116302657
A	M12	13.0 mm	37.0 mm	3.0 mm	2 pieces	SS box	4001116302664

### Washer, DIN 125

STA



Min. OU: 5 pcs.

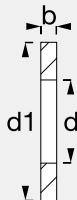
Galvanized steel							
	For thread	Dim. d	Dim. d1	Dim. b	PU	Packaging	EAN / Item no.
A	M3	3.2 mm	7.0 mm	0.5 mm	10 pieces	SS box	4001116302701
A	M4	4.3 mm	9.0 mm	0.8 mm	10 pieces	SS box	4001116302718
A	M5	5.3 mm	10.0 mm	1.0 mm	6 pieces	SS box	4001116302725
A	M6	6.4 mm	12.5 mm	1.6 mm	6 pieces	SS box	4001116302732
A	M8	8.4 mm	17.0 mm	1.6 mm	4 pieces	SS box	4001116302749
A	M10	10.5 mm	21.0 mm	2.0 mm	4 pieces	SS box	4001116302756
A	M12	13.0 mm	24.0 mm	2.5 mm	2 pieces	SS box	4001116302763
A	M14	15.0 mm	28.0 mm	2.5 mm	2 pieces	SS box	4001116302770
A	M16	17.0 mm	30.0 mm	3.0 mm	2 pieces	SS box	4001116302787
A	M20	21.0 mm	37.0 mm	3.0 mm	1 piece	SS box	4001116302794

# combitech<sup>®</sup> system | Basis

## System accessories

### Washer, DIN 125

EDL



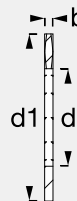
Min. OU: 5 pcs.

#### Stainless steel V2A

For thread	Dim. d	Dim. d1	Dim. b	PU	Packaging	EAN / Item no.
A M3	3.2mm	7.0mm	0.5mm	10 pieces	SS box	4001116 302800
A M4	4.3mm	9.0mm	0.8mm	10 pieces	SS box	4001116 302817
A M5	5.3mm	10.0mm	1.0mm	6 pieces	SS box	4001116 302824
A M6	6.4mm	12.5mm	1.6mm	6 pieces	SS box	4001116 302831
A M8	8.4mm	17.0mm	1.6mm	4 pieces	SS box	4001116 302848
A M10	10.5mm	21.0mm	2.0mm	4 pieces	SS box	4001116 302855
A M12	13.0mm	24.0mm	2.5mm	2 pieces	SS box	4001116 302862
A M16	17.0mm	30.0mm	3.0mm	2 pieces	SS box	4001116 302886
A M20	21.0mm	37.0mm	3.0mm	1 piece	SS box	4001116 302893

### Serrated lock washer, DIN 6798A

STA



Min. OU: 5 pcs.

#### Galvanized steel

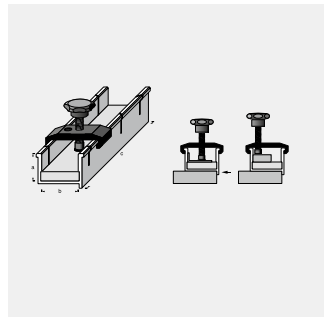
For thread	Dim. d	Dim. d1	Dim. b	PU	Packaging	EAN / Item no.
A M3	3.2mm	6.0mm	1.2mm	10 pieces	SS box	4001116 303203
A M4	4.3mm	8.0mm	1.4mm	10 pieces	SS box	4001116 303210
A M5	5.3mm	10.0mm	1.7mm	6 pieces	SS box	4001116 303227
A M6	6.4mm	11.0mm	1.8mm	6 pieces	SS box	4001116 303234
A M8	8.4mm	15.0mm	2.0mm	4 pieces	SS box	4001116 303241
A M10	10.5mm	18.0mm	2.2mm	4 pieces	SS box	4001116 303258
A M12	13.0mm	20.5mm	2.4mm	2 pieces	SS box	4001116 303265

# combitech<sup>®</sup> system | Basis

## Tool assortment

### Piccolo-mitre box MP 7

ALU



Min. OU: 5 pcs.

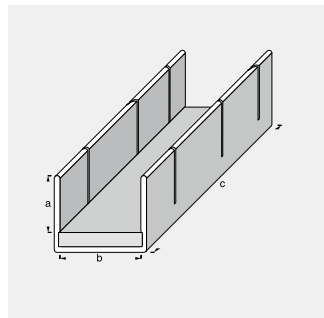
- 2 pre-milled bevel cuts 45°
- 1 pre-milled bevel cut 90°, with replaceable wood insert
- Stop flange prevents slipping
- Clamping element to fasten the workpiece in 3 positions

Uncoated aluminium

Dim. a	Dim. b	Dim. c	Packaging	EAN / Item no.
A 30.0mm	40.0mm	140.0mm	loose	4001116411205

### Precision-mitre box MP 8

ALU



Min. OU: 5 pcs.

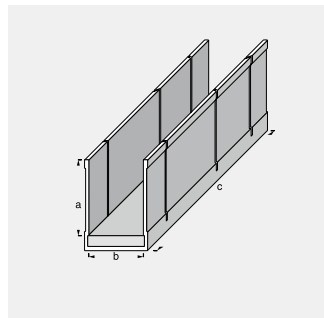
- 2 pre-milled bevel cuts 45°
- 1 pre-milled bevel cut 90°, with replaceable wood insert

Uncoated aluminium

Dim. a	Dim. b	Dim. c	Packaging	EAN / Item no.
A 40.0mm	57.0mm	248.0mm	loose	4001116411212

### Precision-mitre box MP 9

ALU



Min. OU: 5 pcs.

- 2 pre-milled bevel cuts 45°
- 1 pre-milled bevel cut 90°, with replaceable wood insert

Uncoated aluminium

Dim. a	Dim. b	Dim. c	Packaging	EAN / Item no.
A 70.0mm	50.0mm	248.0mm	loose	4001116411229

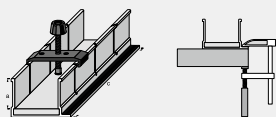


## combitech<sup>®</sup> system | Basis

### Tool assortment

#### Precision-mitre box with clamp element MP 10

ALU



Min. OU: 5 pcs.

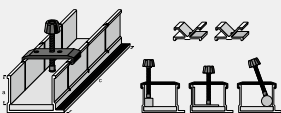
- 2 pre-milled bevel cuts 45°
- 1 pre-milled bevel cut 90°, with replaceable wood insert
- Foot extension for screw clamp
- Clamping element to fasten the workpiece in 3 positions

#### Uncoated aluminium

Dim. a	Dim. b	Dim. c	Packaging	EAN / Item no.
A 50.0mm	73.0mm	248.0mm	loose	4001116411236

#### 'Vario'-mitre box MP 14

ALU



Min. OU: 5 pcs.

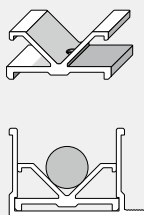
- 2 pre-milled bevel cuts 45°
- 1 pre-milled bevel cut 90°, with replaceable wood insert
- Fastening the workpiece in 3 positions is possible with 2 MP 13 prisms for central fastening
- Foot extension for screw clamp

#### Uncoated aluminium

Dim. a	Dim. b	Dim. c	Packaging	EAN / Item no.
A 50.0mm	73.0mm	248.0mm	SS cardboard box	4001116411274

#### 2 prisms MP 13 (for mitre box MP 10)

ALU



Min. OU: 5 pcs.

- Primarily for central fastening of round tubes and round bars

#### Uncoated aluminium

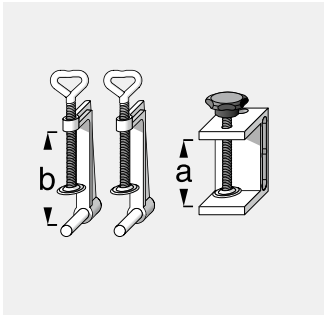
Packaging	EAN / Item no.
A SS bag	4001116411267

# combitech<sup>®</sup> system | Basis

## Tool assortment

### Multi-clamp

ALU



Min. OU: 5 pcs.

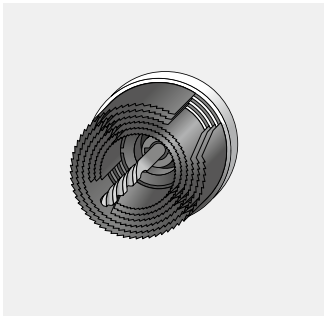
- Reliable tool for milling, drilling, grinding, sawing etc.
- Secure clamping in any position, precise and clean alignment
- An indispensable aid for clamping strips on the miter

#### Uncoated aluminium

Contents	Packaging	EAN / Item no.
A 3-part	SS cardboard box	4001116451522

### 'Profi' keyhole saw

STA



Min. OU: 5 pcs.

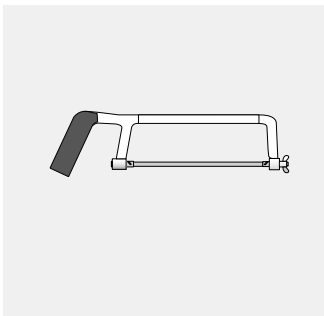
- 'Profi' keyhole saw 6T, with 6 saw blades: 46/53/60/67/74/81 mm
- 'Profi' keyhole saw 1T, with 1 saw blade: 68mm for sockets

#### Steel

None	Packaging	EAN / Item no.
A type 6T	clap-pac	4001116401015

### Maxi-saw

ALU



Min. OU: 5 pcs.

- Continuously adjustable 300 mm long HSS bimetal saw blade for metal, wood, plastic, etc.
- Torsion-resistant, profiled saw bow made of aluminum die cast
- Light and easy to hold

#### Uncoated aluminium

Colour	Packaging	length: 300.0 mm EAN / Item no.
A uncoated	loose	4001116451119

# combitech<sup>®</sup> system | Basis

## Tool assortment

### 'Profi'-ruler



ALU



Min. OU: 5 pcs.

#### Uncoated aluminium

Length	Packaging	EAN / Item no.
A 300.0mm	loose	4001116 41200 4

### 'Profi'-angle, with bevel ruler and parallel-template



ALU

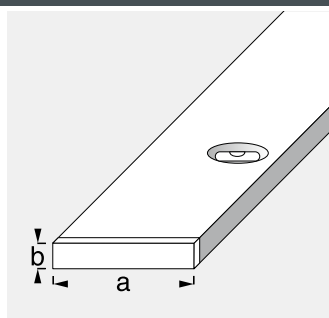


Min. OU: 5 pcs.

#### Uncoated aluminium

Length	Packaging	EAN / Item no.
A 250.0mm	loose	4001116 41215 8
A 300.0mm	loose	4001116 41216 5
A 400.0mm	loose	4001116 41217 2
A 500.0mm	loose	4001116 41218 9

### Builder's square with spirit level



ALU



Min. OU: 5 pcs.

· Thanks to the integrated levels, you can also check whether a wall is vertical or a floor is horizontal

#### Builder's square with 2 spirit level, aluminium

Length	Dim. a	Dim. b	Packaging	EAN / Item no.
A 1.80m	100.0mm	18.0mm	shrink-wrapped	4001116 31890 0
A 2.00m	100.0mm	18.0mm	shrink-wrapped	4001116 31891 7
A 2.50m	100.0mm	18.0mm	shrink-wrapped	4001116 31892 4
A 3.00m	100.0mm	18.0mm	shrink-wrapped	4001116 31893 1

## combitech<sup>®</sup> system | Basis









**combitech**<sup>®</sup> system | connect 23.5 mm



## **combitech**<sup>®</sup> system | connect 23.5 mm Range overview

### Optimum stability guaranteed

The right connection is paramount! The plastic (polyamide) **combitech**<sup>®</sup>-connect connectors give shape to your ideas and make your creations permanent pieces. Thanks to the robust connectors, square-tube-based structures such as shelves, frames, tables, gates, pet cages or the like can be fitted together in an instant. The result: optimum stability and reliability.

Available in black or white, the **combitech**<sup>®</sup>-connect connectors come in different designs. Choose between 90° and 45° connectors in various shapes. Enjoy the additional design freedom and quickly and easily make your ideas a reality!

### Comprehensive range of system accessories

Is the connection not secure enough? No problem! **combitech**<sup>®</sup>-connect adapter sleeves enable you to expand the connector in line with your requirements. Spigots will fit into profiles more firmly and securely. To ensure that all connectors are equally secure, the adapter sleeves come with a practical scale for guidance. The manual universal deburrer enables you to quickly and easily deburr profiles to prevent injuries. Blind rivets enable you to create permanent connections between profiles and connectors.

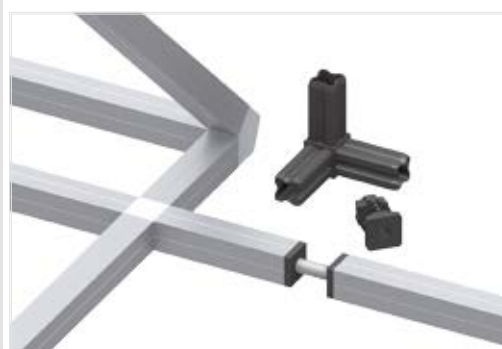
Further items in the range include: threaded plugs, for which we offer suitable screw-in furniture casters for example. The practical adjustable feet can be used to elegantly compensate uneven surfaces. And for a clean finish to square tubes, we recommend our precisely fitting end caps.

### Ideas squared: System profiles

Structures made from square tubes not only look great but are also highly practical. As such, you will be pleased to hear that **alfer**<sup>®</sup> offers the perfect square tube profiles for almost every idea. The range includes many different rust-free and weather-resistant aluminium profiles as well as lower cost, ultra-lightweight plastic ones. Combined with the practical **combitech**<sup>®</sup>-connect connectors, your ideas will quickly become a reality. Get started now!

### Practical drilling alignment groove

Precise drilling made simpler than ever: both the aluminium and the plastic square tube profiles come with the unique drilling alignment groove for precisely aligned drill holes.



# combitech<sup>®</sup> system | connect 23.5 mm

## Range overview

### connect connector 23.5 mm | Plastic (PA)

2.05–2.09



- 45° 3-D T-connector, left, 3 spigots
- 45° 3-D T-connector, right, 3 spigots
- 45° nodal connector, 4 spigots
- 90° edge connector, 3 spigots
- 90° nodal connector, 4 spigots
- 90° nodal connector, 5 spigots
- 90° nodal connector, 6 spigots
- 90° square connector, 2 spigots
- 90° T-connector, 3 spigots
- Articulated connector, 2 spigots
- Articulated flange connector, 1 spigot
- Cross connector, 4 spigots
- Flange connector, 1 spigot

PA

### System accessories

2.10–2.12



- Adapter sleeve
- Adjustable foot
- End cap, square
- Furniture caster
- Threaded plug
- Universal deburrer

STA

PA

PE

### System profiles

2.13–2.18



- H section
- Square tube
- Square tube, 1 branch
- Square tube, 1 branch offset
- Square tube, 2 branches 180°
- Square tube, 2 branches inside
- Square tube, 2 branches offset
- Square U
- Square U, 2 branches 180°

ALU

ALX

ALP

PVC

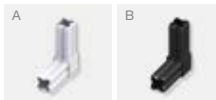
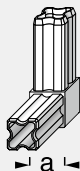


## combitech<sup>®</sup> system | connect 23.5 mm

### connect connector 23.5 mm | Plastic (PA)

#### 90° square connector, 2 spigots

PA



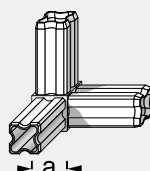
Min. OU: 5 pcs.

#### Plastic (PA)

Colour	Dim. a	Packaging	EAN / Item no.
A white	23.5 mm	loose	4001116 285240
B black	23.5 mm	loose	4001116 285042

#### 90° edge connector, 3 spigots

PA



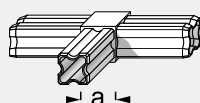
Min. OU: 5 pcs.

#### Plastic (PA)

Colour	Dim. a	Packaging	EAN / Item no.
A white	23.5 mm	loose	4001116 286049
B black	23.5 mm	loose	4001116 285844

#### 90° T-connector, 3 spigots

PA



Min. OU: 5 pcs.

#### Plastic (PA)

Colour	Dim. a	Packaging	EAN / Item no.
A white	23.5 mm	loose	4001116 285646
B black	23.5 mm	loose	4001116 285448

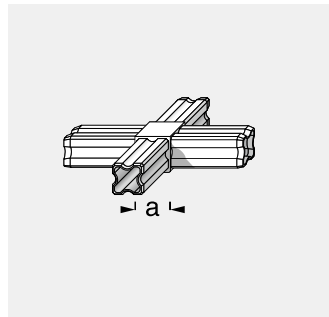


# combitech<sup>®</sup> system | connect 23.5 mm

## connect connector 23.5 mm | Plastic (PA)

### Cross connector, 4 spigots

PA

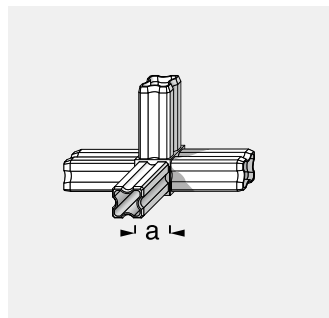


Min. OU: 5 pcs.

Plastic (PA)		Dim. a	Packaging	EAN / Item no.
Colour				
A	white	23.5 mm	loose	400111628606 3
B	black	23.5 mm	loose	400111628586 8

### 90° nodal connector, 4 spigots

PA

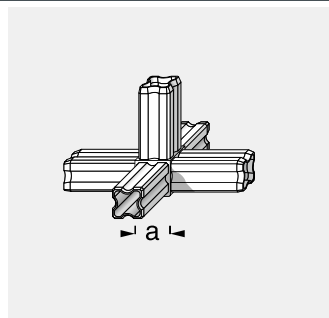


Min. OU: 5 pcs.

Plastic (PA)		Dim. a	Packaging	EAN / Item no.
Colour				
A	white	23.5 mm	loose	400111628644 5
B	black	23.5 mm	loose	400111628624 7

### 90° nodal connector, 5 spigots

PA



Min. OU: 5 pcs.

Plastic (PA)		Dim. a	Packaging	EAN / Item no.
Colour				
A	white	23.5 mm	loose	400111628646 9
B	black	23.5 mm	loose	400111628626 1

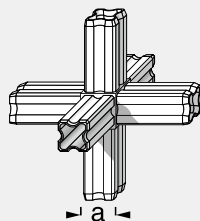


## combitech<sup>®</sup> system | connect 23.5 mm

### connect connector 23.5 mm | Plastic (PA)

#### 90° nodal connector, 6 spigots

PA



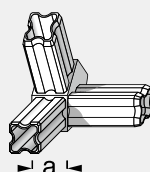
Min. OU: 5 pcs.

#### Plastic (PA)

Colour	Dim. a	Packaging	EAN / Item no.
A white	23.5 mm	loose	4001116 28527 1
B black	23.5 mm	loose	4001116 28507 3

#### 45° 3-D T-connector, left, 3 spigots

PA



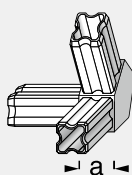
Min. OU: 5 pcs.

#### Plastic (PA)

Colour	Dim. a	Packaging	EAN / Item no.
A white	23.5 mm	loose	4001116 28525 7
B black	23.5 mm	loose	4001116 28505 9

#### 45° 3-D T-connector, right, 3 spigots

PA



Min. OU: 5 pcs.

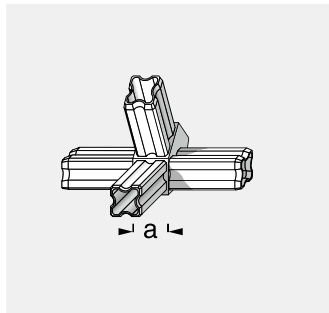
#### Plastic (PA)

Colour	Dim. a	Packaging	EAN / Item no.
A white	23.5 mm	loose	4001116 28565 3
B black	23.5 mm	loose	4001116 28545 5

# combitech<sup>®</sup> system | connect 23.5 mm

## connect connector 23.5 mm | Plastic (PA)

### 45° nodal connector, 4 spigots



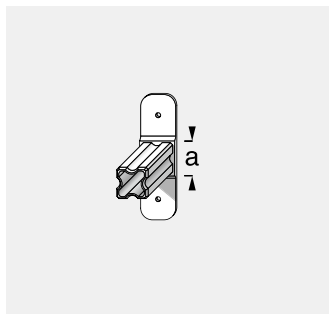
PA



Min. OU: 5 pcs.

Plastic (PA)		Dim. a	Packaging	EAN / Item no.
Colour				
A	white	23.5 mm	loose	400111628605 6
B	black	23.5 mm	loose	400111628585 1

### Flange connector, 1 spigot



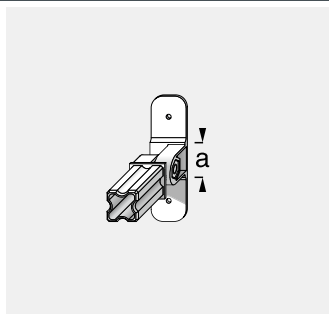
PA



Min. OU: 5 pcs.

Plastic (PA)		Dim. a	Packaging	EAN / Item no.
Colour				
A	white	23.5 mm	loose	400111628526 4
B	black	23.5 mm	loose	400111628506 6

### Articulated flange connector, 1 spigot



PA



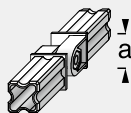
Min. OU: 5 pcs.

Plastic (PA)		Dim. a	Packaging	EAN / Item no.
Colour				
A	white	23.5 mm	loose	400111628566 0
B	black	23.5 mm	loose	400111628546 2

**combitech**<sup>®</sup> system | connect 23.5 mm  
connect connector 23.5 mm | Plastic (PA)

Articulated connector, 2 spigots

PA



Min. OU: 5 pcs.

**Plastic (PA)**

Colour	Dim. a	Packaging	EAN / Item no.
A white	23.5 mm	loose	4001116 286452
B black	23.5 mm	loose	4001116 286254

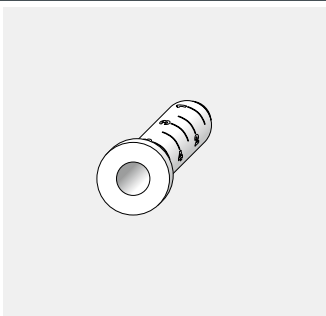
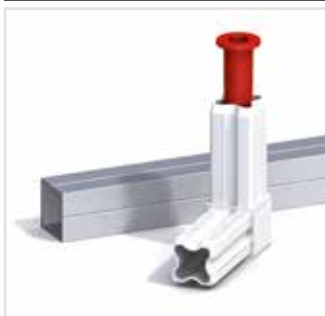


# combitech<sup>®</sup> system | connect 23.5 mm

## System accessories

### Adapter sleeve

PA



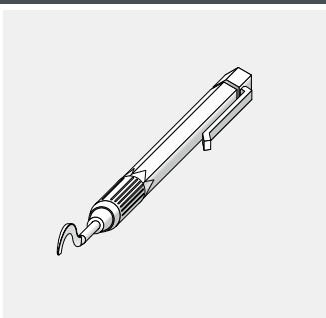
Min. OU: 5 pcs.

- Enlarges the pin so that the connectors do not sit too loosely in the profile
- The further the adapter sleeve is pushed in, the more secure the connection in the profile is
- A scale on the adapter sleeve guarantees even tensioning

### Plastic (PA)

Colour	For	PU	Packaging	EAN / Item no.
A red	23,5 mm	10 pieces	SS box	400111628660 5

### Universal deburrer



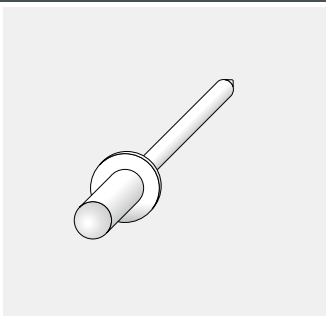
Min. OU: 5 pcs.

- Deburred edges prevent injuries
- Makes it easier to insert the connect connectors

Colour	Packaging	EAN / Item no.
A blue	SS box	400111628661 2

### Blind rivet, 5 mm × 10 mm

STA



Min. OU: 5 pcs.

- Suitable for 23.5 square mm tube and for M 10 screws/threaded rods
- Connects 2 square tubes or another component to a square tube

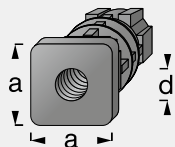
Steel					EAN / Item no.
Colour	Dim.	Length	PU	Packaging	EAN / Item no.
A uncoated	5.0 mm	10.0 mm	20 pieces	SS box	400111628662 9

## combitech<sup>®</sup> system | connect 23.5 mm

### System accessories

#### Threaded plug

PA



Min. OU: 5 pcs.

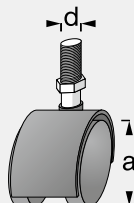
- Suitable for 23.5 squaremm tube and for M10 screws/threaded rods
- Connects 2 square tubes or another component to a square tube

#### Plastic (PA)

Colour	Dim. a	Dim. d	PU	Packaging	EAN / Item no.
A black	23.5 mm	M 10	2 pieces	SS box	4001116 303838

#### Furniture caster

STA



Min. OU: 5 pcs.

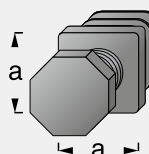
- Furniture casters with an M10 thread, suitable for threaded plugs
- Soft and hard casters are available
- Casters with a load capacity of 50 kg

#### Steel/plastic (PU)

Colour	Dim. a	Dim. d	None	Packaging	EAN / Item no.
A black	40.0mm	M10	hard	loose	4001116 303852
A black	40.0mm	M10	soft	loose	4001116 303869

#### Adjustable foot

PA



Min. OU: 5 pcs.

- To smooth out bumps in the floor
- Suitable for 23.5mm square tube

#### Plastic (PA)

Colour	Dim. a	Packaging	EAN / Item no.
A black	23.5 mm	SS box	4001116 303845

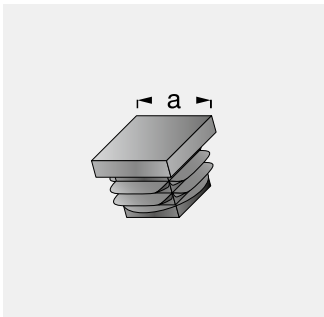


# combitech<sup>®</sup> system | connect 23.5 mm

## System accessories

### End cap, square

PE



Min. OU: 5 pcs.

· The square end cap fits into the **combitech** square tubes of the appropriate size

### Plastic (PE)

Colour	Dim. a	PU	Packaging	EAN/Item no.
A black	23.5mm	2 pieces	SS box	400111629830 1



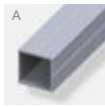
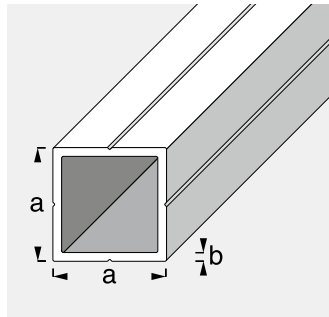


# combitech<sup>®</sup> system | connect 23.5 mm

## System profiles | Aluminium

### Square tube

ALU



Min. OU: 5 pcs.

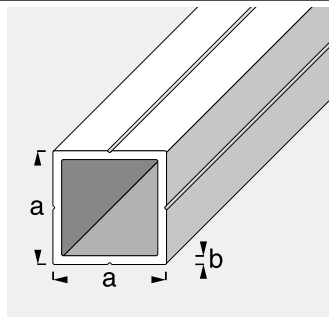
· Profiles with the unique drill alignment groove

#### Uncoated aluminium

Colour	Dim. a	Dim. b	For	Packaging	length: 0.30 m EAN / Item no.	length: 1.00 m EAN / Item no.	length: 2.50 m EAN / Item no.
A uncoated	23.5 mm	1.5 mm	M20	loose	4001116284007	4001116251702	4001116251900

### Square tube

ALX



Min. OU: 5 pcs.

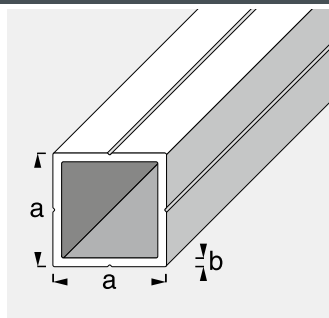
· Profiles with the unique drill alignment groove

#### Anodized aluminium

Colour	Dim. a	Dim. b	For	Packaging	length: 0.30 m EAN / Item no.	length: 1.00 m EAN / Item no.	length: 2.50 m EAN / Item no.
A silver	23.5 mm	1.5 mm	M20	shrink-wrapped	4001116284014	4001116251719	4001116251917

### Square tube

ALP



Min. OU: 5 pcs.

· Profiles with the unique drill alignment groove

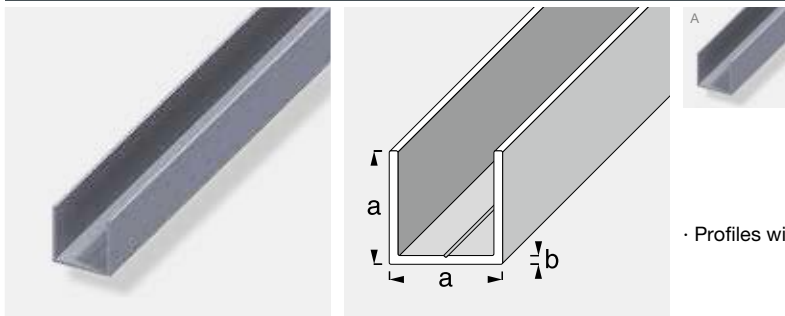
#### Powder-coated aluminium

Colour	Dim. a	Dim. b	For	Packaging	length: 0.30 m EAN / Item no.	length: 1.00 m EAN / Item no.	length: 2.50 m EAN / Item no.
A brilliant-white	23.5 mm	1.5 mm	M20	shrink-wrapped	4001116284021	4001116211706	4001116211904

# combitech<sup>®</sup> system | connect 23.5 mm

## System profiles | Aluminium

### Square U



ALU

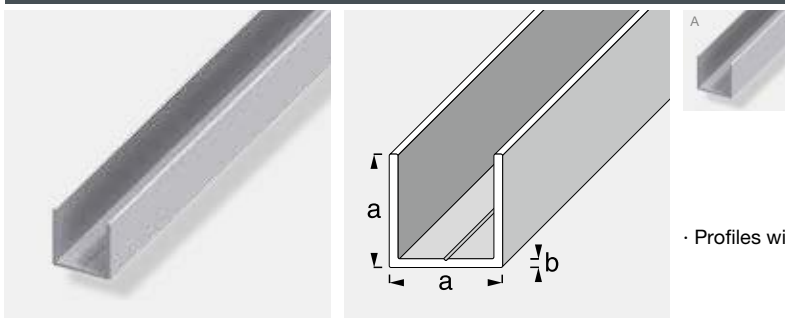


Min. OU: 5 pcs.

· Profiles with the unique drill alignment groove

Uncoated aluminium				length: 1.00 m	length: 2.50 m
Colour	Dim. a	Dim. b	Packaging	EAN / Item no.	EAN / Item no.
A uncoated	23.5 mm	1.5 mm	loose	4001116254109	4001116254307

### Square U



ALX

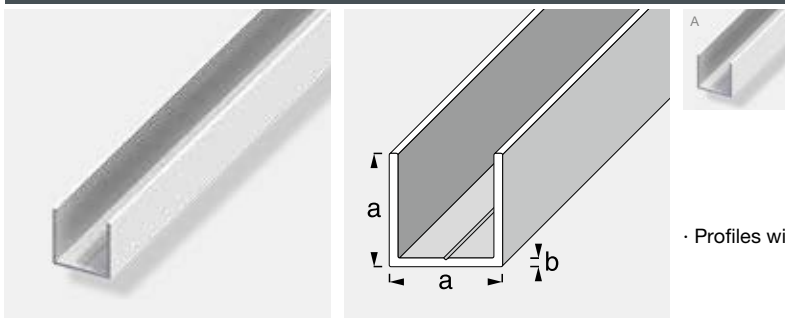


Min. OU: 5 pcs.

· Profiles with the unique drill alignment groove

Anodized aluminium				length: 1.00 m	length: 2.50 m
Colour	Dim. a	Dim. b	Packaging	EAN / Item no.	EAN / Item no.
A silver	23.5 mm	1.5 mm	shrink-wrapped	4001116254116	4001116254314

### Square U



ALP



Min. OU: 5 pcs.

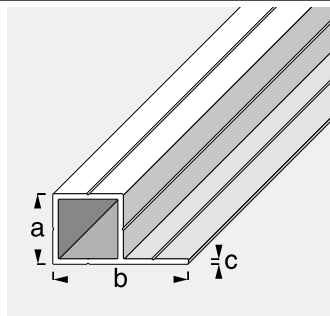
· Profiles with the unique drill alignment groove

Powder-coated aluminium				length: 1.00 m	length: 2.50 m
Colour	Dim. a	Dim. b	Packaging	EAN / Item no.	EAN / Item no.
A brilliant-white	23.5 mm	1.5 mm	shrink-wrapped	4001116214103	4001116214301

# combitech<sup>®</sup> system | connect 23.5 mm

## System profiles | Aluminium

### Square tube, 1 branch



· Profiles with the unique drill alignment groove

ALU

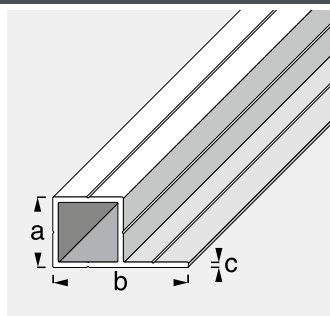


Min. OU: 5 pcs.

#### Uncoated aluminium

Colour	Dim. a	Dim. b	Dim. c	For	Packaging	length: 1.00 m EAN / Item no.	length: 2.50 m EAN / Item no.
A uncoated	23.5 mm	45.5 mm	1.5 mm	M20	loose	4001116258909	4001116259104

### Square tube, 1 branch



· Profiles with the unique drill alignment groove

ALX

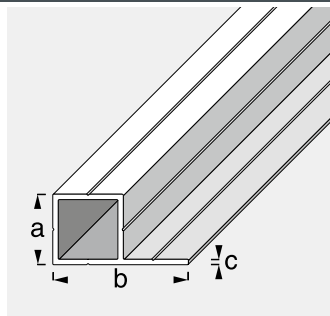


Min. OU: 5 pcs.

#### Anodized aluminium

Colour	Dim. a	Dim. b	Dim. c	For	Packaging	length: 1.00 m EAN / Item no.	length: 2.50 m EAN / Item no.
A silver	23.5 mm	45.5 mm	1.5 mm	M20	shrink-wrapped	4001116258916	4001116259111

### Square tube, 1 branch



· Profiles with the unique drill alignment groove

ALP



Min. OU: 5 pcs.

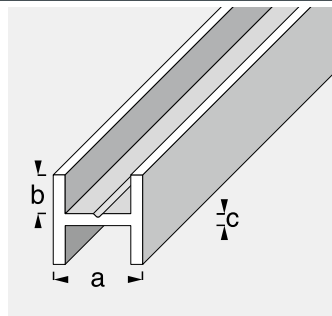
#### Powder-coated aluminium

Colour	Dim. a	Dim. b	Dim. c	For	Packaging	length: 1.00 m EAN / Item no.	length: 2.50 m EAN / Item no.
A brilliant-white	23.5 mm	45.5 mm	1.5 mm	M20	shrink-wrapped	4001116218903	4001116219108

# combitech<sup>®</sup> system | connect 23.5 mm

## System profiles | Aluminium

### H section



ALU



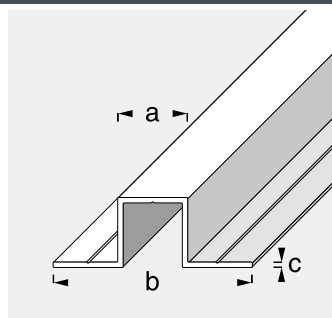
Min. OU: 5 pcs.

· Profiles with the unique drill alignment groove

#### Uncoated aluminium

Colour	Dim. a	Dim. b	Dim. c	Packaging	length: 1.00 m EAN / Item no.	length: 2.50 m EAN / Item no.
A uncoated	23.5 mm	11.0 mm	1.5 mm	loose	4001116287008	4001116287206

### Square U, 2 branches 180°



ALU



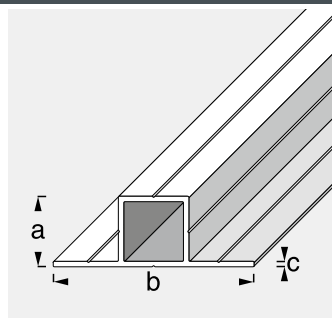
Min. OU: 5 pcs.

· Profiles with the unique drill alignment groove

#### Uncoated aluminium

Colour	Dim. a	Dim. b	Dim. c	Packaging	length: 1.00 m EAN / Item no.	length: 2.50 m EAN / Item no.
A uncoated	23.5 mm	67.5 mm	1.5 mm	loose	4001116259708	4001116259906

### Square tube, 2 branches 180°



ALU



Min. OU: 5 pcs.

· Profiles with the unique drill alignment groove

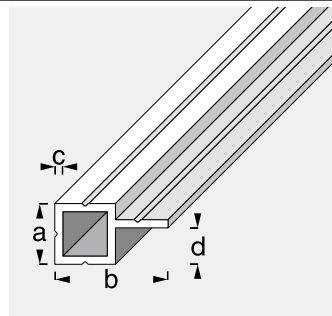
#### Uncoated aluminium

Colour	Dim. a	Dim. b	Dim. c	For	Packaging	length: 1.00 m EAN / Item no.	length: 2.50 m EAN / Item no.
A uncoated	23.5 mm	67.5 mm	1.5 mm	M20	loose	4001116260902	4001116261107

# combitech<sup>®</sup> system | connect 23.5 mm

## System profiles | Aluminium

### Square tube, 1 branch offset



ALU



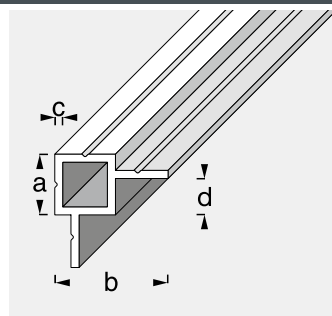
Min. OU: 5 pcs.

· Profiles with the unique drill alignment groove

#### Uncoated aluminium

Colour	Dim. a	Dim. b	Dim. c	Dim. d	For	Packaging	length: 1.00 m EAN / Item no.	length: 2.50 m EAN / Item no.
A uncoated	23.5 mm	45.5 mm	1.5 mm	19.5 mm	M20	loose	4001116287015	4001116287213

### Square tube, 2 branches offset



ALU



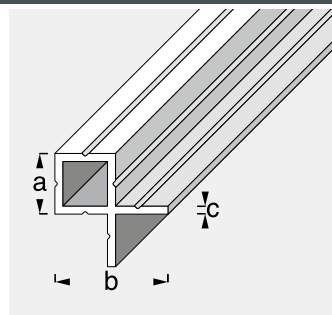
Min. OU: 5 pcs.

· Profiles with the unique drill alignment groove

#### Uncoated aluminium

Colour	Dim. a	Dim. b	Dim. c	Dim. d	For	Packaging	length: 1.00 m EAN / Item no.	length: 2.50 m EAN / Item no.
A uncoated	23.5 mm	45.5 mm	1.5 mm	19.5 mm	M20	loose	4001116260100	4001116260308

### Square tube, 2 branches inside



ALU



Min. OU: 5 pcs.

· Profiles with the unique drill alignment groove

#### Uncoated aluminium

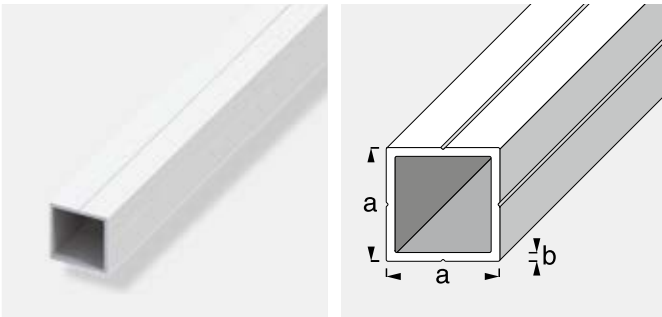
Colour	Dim. a	Dim. b	Dim. c	For	Packaging	length: 1.00 m EAN / Item no.	length: 2.50 m EAN / Item no.
A uncoated	23.5 mm	43.5 mm	1.5 mm	M20	loose	4001116259302	4001116259500

# combitech<sup>®</sup> system | connect 23.5 mm

## System profiles | Plastic (hard PVC)

### Square tube

PVC



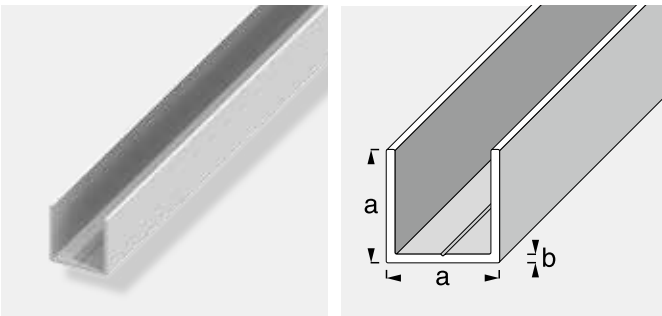
Min. OU: 5 pcs.

· Profiles with the unique drill alignment groove

Plastic (hard PVC)					length: 0.30 m	length: 1.00 m	length: 2.50 m
Colour	Dim. a	Dim. b	For	Packaging	EAN/Item no.	EAN/Item no.	EAN/Item no.
A white	23.5 mm	1.5 mm	M20	loose	4001116284052	4001116212109	4001116212307
B grey	23.5 mm	1.5 mm	M20	loose		4001116252105	4001116252303

### Square U

PVC



Min. OU: 5 pcs.

· Profiles with the unique drill alignment groove

Plastic (hard PVC)					length: 1.00 m	length: 2.50 m
Colour	Dim. a	Dim. b	Packaging		EAN/Item no.	EAN/Item no.
A white	23.5 mm	1.5 mm	loose		4001116214509	4001116214707
B grey	23.5 mm	1.5 mm	loose		4001116254505	

Hardware catalogue | 97002 | 01 2017 | 77708

combitech<sup>®</sup> system | connect 23.5 mm

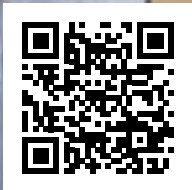








**combitech**® system | Sheets, plates and accessories



# combitech<sup>®</sup> system | Sheets, plates and accessories

## Range overview

### Various different finishes

#### Plastic and plain sheets

Plastic sheets and plain sheets are suitable for numerous DIY, building and decorative projects. To enable quick and easy use, our range also includes several self-adhesive sheets. Protect doors or furniture against unsightly scratches, decorate or clad walls and radiators, add a windbreak, privacy screen or sun shade to your patio or balcony or construct speaker boxes, umbrella stands, window boxes for flowers and many more items.

The unstructured finishes are available in several versions. Depending on your requirements and the area of use, transparent plastic sheets provide perfect visibility or aluminium sheets offer a refined brass, bronze or stainless steel look. In the case of our coated aluminium sheets with a refined realistic marble or wood appearance, you have to look extremely closely to realise that these are actually plain sheets. The choice is yours – as too is the opportunity for impressive results!

#### Authentic stone and wood décors

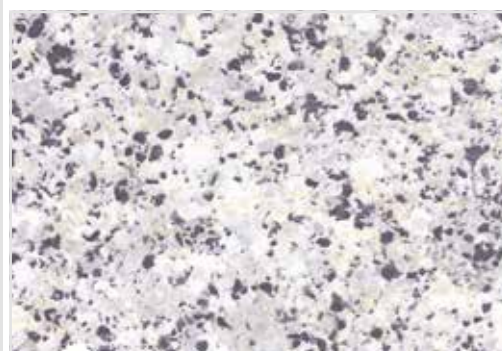
Thanks to an innovative sublimation procedure, we are able to apply appealing natural wood and stone designs to aluminium surfaces. A wonderful side-effect: the finish is not only more UV-resistant but also considerably more resistant to water and scratches than with conventional coating procedures.

#### For a striking appearance: Embossed sheets

Not all sheets are the same – as is clearly demonstrated by our embossed sheets with different designs. Whether studded sheets for modern design ideas, creative hammer effect sheets, practical roughcast and corrugated sheets or highly durable barleycorn sheets and check plates for uncompromising permanent use indoors and out, our diverse range of embossed sheets can be put to an impressively broad range of attractive uses. Pick one now!

#### Visionary ideas: Perforated sheets

Sometimes, less is more. This particularly applies to **alfer**<sup>®</sup> perforated sheets. Here, the intentional omission of sections of material genuinely enhances the appearance. Whether slotted, cross, round or square hole sheets, the punched holes offer magnificent views into, out of or through things depending on your perspective and provide valuable services in many areas. In other words: form and function are in perfect harmony.





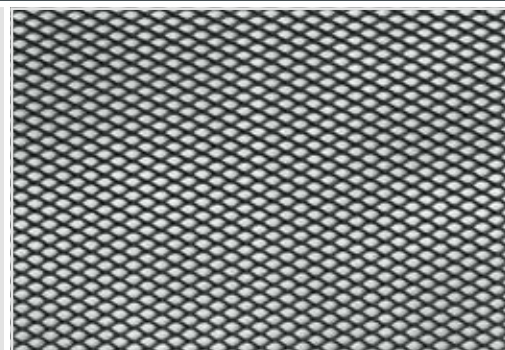
# combitech<sup>®</sup> system | Sheets, plates and accessories

## Range overview

### Stable and reliable

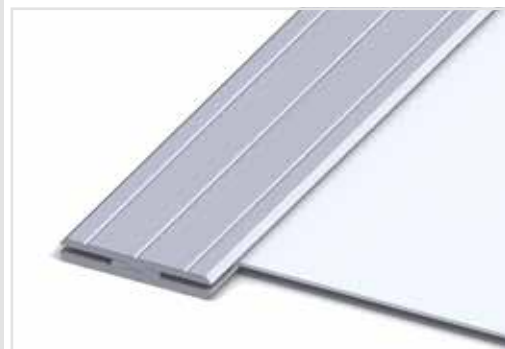
#### Expanded metal

**alfer**<sup>®</sup> expanded metal is suitable, for example, as a facing solution for openings around the home. This enables you to reliably protect yourself, your family and your food supplies from uninvited guests such as bugs and flies. Furthermore, **alfer**<sup>®</sup> expanded metal is an excellent choice as a construction material for model railways – for example as the substructure for tunnels, bridges or mountains. Depending on the intended use, our expanded metal comes in either aluminium or steel. You have the ideas – we have the perfect solution!



#### Securely enclosed: combitech<sup>®</sup> Primatech

Primatech aluminium profiles can be used, for example, to edge and frame metal sheets, giving a particularly flat appearance. This reliably prevents injuries that could be caused by sharp sheet edges. The Primatech profiles are furthermore able to stabilise weak sheets and enhance their appearance. Primatech is the ideal solution for objects such as signs, picture frames, boxes, crates and fire guards as well as cladding on doors, drawers and radiators, etc.



Primatech profiles are suitable for use with various sheet thicknesses and materials such as Plexiglas, hardboard and polystyrene sheets as well as for expanded metals. Even lengths of film or fabric can be easily edged with the aid of Primatech profiles to give them noticeable stability and brand new functionality. Available types include edge, connecting, corner and hinge profiles – all with our patented drilling alignment groove for precise work results.



#### Practical accessories

Accessories such as the sleeve nuts kit, the seal profile, double-sided sticky tape with intermediate support and the strapless adhesive cord with covering tape expediently complete the Primatech range.



#### combitech<sup>®</sup>-Multitube

Available in round and square tube designs, the Multitube profiles are ideal for edging metal sheets. The innovative aluminium profiles offer a high level of stability and reduce the risk of injury as a result of sharp sheet edges. Plexiglas, polystyrene sheets and expanded metal can also be edged without issue. Multitube can also be used to quickly create signs, advertising boards, flower boxes and pots, partition walls, rails, privacy screens, noise screens, sun shades, windbreaks and stable ramps for wheelchairs, wheelbarrows, motorcycles and more – often making everyday life far easier and more beautiful.



>>>

# combitech<sup>®</sup> system | Sheets, plates and accessories

## Range overview

### All-round stability

The round and square tubes in the Multitube range come with a slot into which the sheet can be pushed until it clicks into the opposite centring and fixing groove. As with all **combitech**<sup>®</sup> products, the profiles in the Multitube series also come with the unique drilling alignment groove.

### Practical accessories

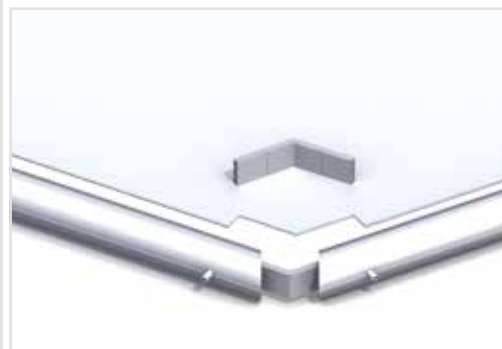
The sophisticated accessories range includes corner bracket, suspension and sleeve nut kits, edge protection profiles, magnets and hooks.

### For clean finishes: Checker plate profiles and accessories

Our checker plate profiles and small parts are specially tailored to the needs of DIY enthusiasts and available in several sizes. To enable you to make full use of the many options for combining the comprehensive range of **combitech**<sup>®</sup> profiles, we also ensure that the tried-and-tested **combitech**<sup>®</sup> dimensions are strictly adhered to by the checker plates. This ensures a broad range of usage options in and around the home. All of our checker plate profiles are made using state-of-the-art sheet cutting systems and precision joint bending presses and are characterised by the highest quality.

### Customised system accessories




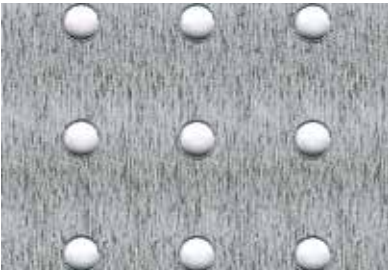
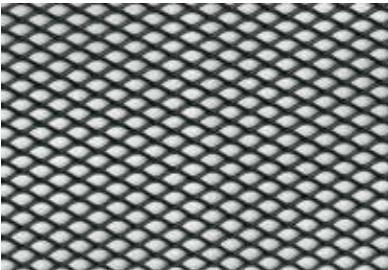
Checker plate case corners reinforce the corners of crates, boxes and the like while also making them look nicer. Checker plate gussets can be used to join and reinforce structures. Visually matching and precisely fitting edge protection and seal profiles as well as hooks and magnets complete the diverse **combitech**<sup>®</sup> sheet range.





# combitech<sup>®</sup> system | Sheets, plates and accessories

## Range overview

Design and plastic plates		3.09–3.11	
	· Design sheet structure	PC	
	· Design sheet with square holes	PS	
	· Design sheet with square studs	PVC	
	· Design sheet, corrugated		
	· Design sheet, flexible		
	· Design sheet, smooth		
	· Plastic panel (hard PVC), hot-embossed, self-adhesive		
	· Plastic panel (PC, transparent)		
Sheets		3.12–3.16	
	· Plain sheet, steel, untreated, processed	ALU	
	· Sheet, aluminium, anodized	ALX	
	· Sheet, aluminium, coated	ALP	
	· Sheet, aluminium, uncoated	STA	
	· Sheet, raw steel	EDL	
	· Sheet, solid brass	CU	
	· Sheet, solid copper	MES	
	· Sheet, stainless steel		
	· Sheet, steel, galvanized		
	Embossed sheets		3.17–3.21
		· Barleycorn	ALU
· Checker plate		ALX	
· Corrugated sheet		ALP	
· Hammer effect sheet			
· Roughcast sheet			
· Round studded sheet			
· Square studded sheet			
Perforated sheets		3.22–3.24	
	· Cross hole sheet	ALU	
	· Round hole sheet	ALX	
	· Slotted hole sheet	STA	
	· Square hole sheet		
Stretch metal		3.25–3.26	
	· Stretch metal	ALU	
		ALX	
		ALP	
		STA	

Hardware catalogue | 97002 | 01 2017 | 77708

combitech<sup>®</sup> system  
Sheets, plates and accessories

# combitech<sup>®</sup> system | Sheets, plates and accessories

## Range overview

Prismatech	Accessories	3.27 – 3.30
 <ul style="list-style-type: none"> <li>· Angle profile, one-sided</li> <li>· Angle profile, two-sided</li> <li>· Covering profile, one-sided</li> <li>· Covering profile, one-sided, vibratory finish</li> <li>· Covering profile, two-sided</li> <li>· Hinge profile</li> <li>· Support profile, one-sided</li> <li>· Support profile, two-sided</li> </ul>	<ul style="list-style-type: none"> <li>· Adhesive cord, strapless, with covering tape</li> <li>· Double adhesive tape with intermediate support</li> <li>· Prismatech sleeve nut kit, uncoated</li> <li>· Sealing profile</li> </ul>	<ul style="list-style-type: none"> <li>ALU</li> <li>ALG</li> <li>EVA</li> </ul>
Multitube	Accessories	3.31 – 3.34
 <ul style="list-style-type: none"> <li>· Angle, equal-sided 120°</li> <li>· Round tube</li> <li>· Square tube</li> </ul>	<ul style="list-style-type: none"> <li>· Bolt clamp</li> <li>· Corner angle 120° set</li> <li>· Corner angle 90° set</li> <li>· Edge protecting profile</li> <li>· Hanging kit</li> <li>· Hard ferrite magnet with plastic case</li> <li>· Multitube sleeve nut kit</li> <li>· Perforated sheet hook, large</li> <li>· Perforated sheet hook, small</li> </ul>	<ul style="list-style-type: none"> <li>ALU</li> <li>ALG</li> <li>STA</li> <li>FER</li> <li>PVC</li> </ul>
Checker plate profiles	Accessories	3.35 – 3.38
 <ul style="list-style-type: none"> <li>· Angle, equal-sided</li> <li>· Angle, inside, equal-sided</li> <li>· Angle, unequal-sided</li> <li>· Square U</li> </ul>	<ul style="list-style-type: none"> <li>· Case corner</li> <li>· Gusset</li> <li>· Sealing profile</li> <li>· Square U</li> <li>· Square U, 2 branches 180°</li> </ul>	<ul style="list-style-type: none"> <li>ALU</li> <li>EVA</li> <li>PVC</li> </ul>



## combitech<sup>®</sup> system | Sheets, plates and accessories



Hardware catalogue | 97022 | 01 2017 | 17708

combitech<sup>®</sup> system  
Sheets, plates and accessories

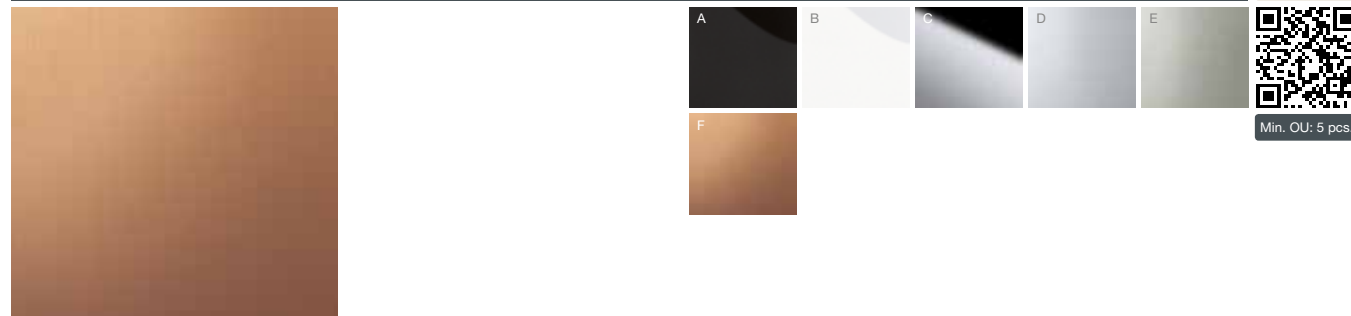




# combitech<sup>®</sup> system | Sheets, plates and accessories

## Design and plastic plates

**Design sheet, smooth**



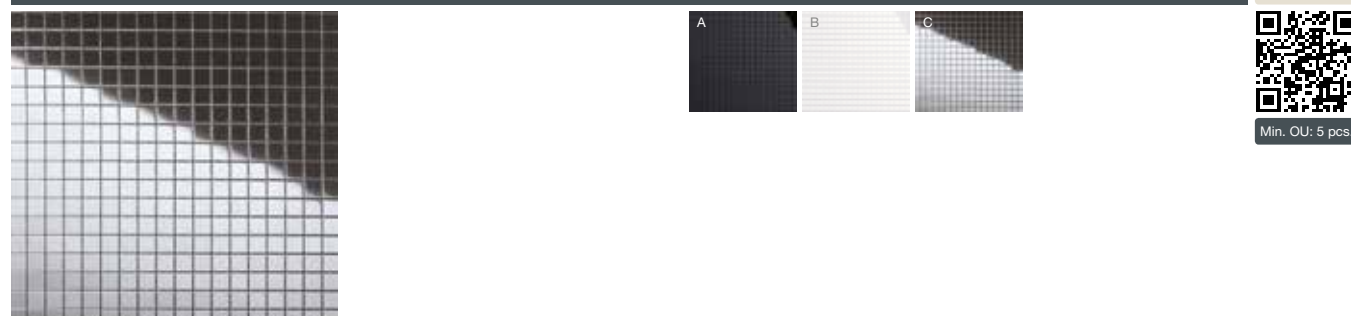
PS

Min. OU: 5 pcs.

**Plastic (PS), self-adhesive**

Colour	Thickness	Width	Long	Packaging	EAN / Item no.
A polished black	1.13 mm	600.0 mm	1,000.0 mm	SS cardboard box	4001116 480010
B polished white	1.13 mm	600.0 mm	1,000.0 mm	SS cardboard box	4001116 480027
C mirror finish	1.13 mm	600.0 mm	1,000.0 mm	SS cardboard box	4001116 480034
D dull finish silver	1.13 mm	600.0 mm	1,000.0 mm	SS cardboard box	4001116 480065
E brushed silver	1.13 mm	600.0 mm	1,000.0 mm	SS cardboard box	4001116 480072
F brushed copper	1.13 mm	600.0 mm	1,000.0 mm	SS cardboard box	4001116 480089

**Design sheet, flexible**



PS

Min. OU: 5 pcs.

**Plastic (PS), self-adhesive**

Colour	Thickness	Width	Long	Packaging	EAN / Item no.
A polished black	1.2 mm	600.0 mm	1,000.0 mm	SS cardboard box	4001116 480119
B polished white	1.2 mm	600.0 mm	1,000.0 mm	SS cardboard box	4001116 480126
C polished silver	1.2 mm	600.0 mm	1,000.0 mm	SS cardboard box	4001116 480133

**Design sheet, corrugated**



ABS

Min. OU: 5 pcs.

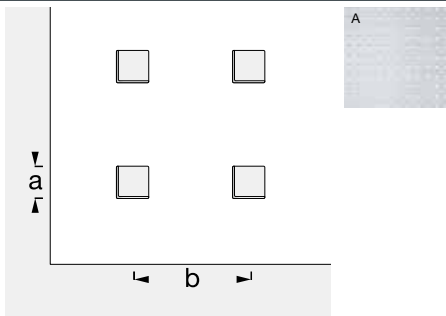
**Plastic (ABS), self-adhesive**

Colour	Thickness	Width	Long	Packaging	EAN / Item no.
A polished black	1.33 mm	600.0 mm	1,000.0 mm	SS cardboard box	4001116 480140
B polished white	1.33 mm	600.0 mm	1,000.0 mm	SS cardboard box	4001116 480157

# combitech<sup>®</sup> system | Sheets, plates and accessories

## Design and plastic plates

### Design sheet with square holes



PS

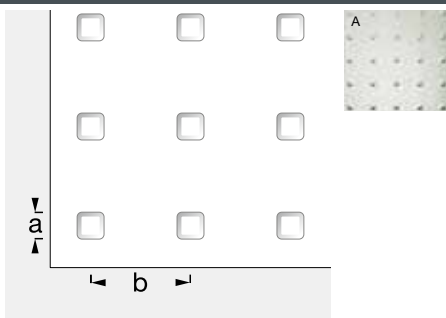


Min. OU: 5 pcs.

#### Plastic (PS), self-adhesive

Colour	Thickness	Dim. a	Dim. b	Width	Long	Packaging	EAN / Item no.
A silver	1.13 mm	5.0 mm	15.0 mm	600.0 mm	1,000.0 mm	SS cardboard box	400111648017 1

### Design sheet with square studs



PS

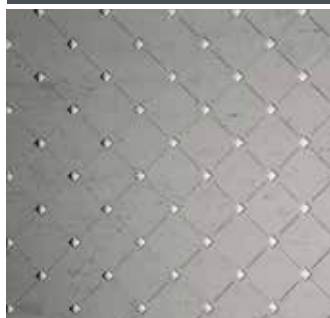


Min. OU: 5 pcs.

#### Plastic (PS), self-adhesive

Colour	Thickness	Dim. a	Dim. b	Width	Long	Packaging	EAN / Item no.
A silver	2.0 mm	9.0 mm	36.0 mm	600.0 mm	1,000.0 mm	SS cardboard box	400111648018 8

### Design sheet structure



PS



Min. OU: 5 pcs.

#### Plastic (PS), self-adhesive

Colour	Thickness	Width	Long	Packaging	EAN / Item no.
A concrete look	1.33 mm	600.0 mm	1,000.0 mm	SS cardboard box	400111648004 1
B vintage silver	1.13 mm	600.0 mm	1,000.0 mm	SS cardboard box	400111648005 8
C copper	2.35 mm	600.0 mm	1,000.0 mm	SS cardboard box	400111648019 5
D silver	1.13 mm	600.0 mm	1,000.0 mm	SS cardboard box	400111648010 2
E platinum silver	1.43 mm	600.0 mm	1,000.0 mm	SS cardboard box	400111648016 4



# combitech<sup>®</sup> system | Sheets, plates and accessories

## Design and plastic plates

**Design sheet structure**




ABS



Min. OU: 5 pcs.

**Plastic (ABS), self-adhesive**

Colour	Thickness	Width	Long	Packaging	EAN / Item no.
A black	1.13 mm	600.0 mm	1,000.0 mm	SS cardboard box	4001116 480096

**Plastic panel (PC, transparent)**




PC



Min. OU: 5 pcs.

**Plastic (PC)**

Colour	Thickness	Width	Long	Packaging	EAN / Item no.
A transparent	1.0 mm	250.0 mm	500.0 mm	loose	4001116 383540

**Plastic panel (hard PVC), hot-embossed, self-adhesive**




PVC



Min. OU: 5 pcs.

**Plastic (hard PVC), hot-embossed, self-adhesive**

Colour	Thickness	Width	Long	PU	Packaging	EAN / Item no.
A silver	1.0 mm	300.0 mm	300.0 mm	2 pieces	sealed	4001116 386022
A silver	1.0 mm	400.0 mm	600.0 mm	1 piece	sealed	4001116 386121
B champagne	1.0 mm	300.0 mm	300.0 mm	2 pieces	sealed	4001116 386015
B champagne	1.0 mm	400.0 mm	600.0 mm	1 piece	sealed	4001116 386114
C titanium	1.0 mm	300.0 mm	300.0 mm	2 pieces	sealed	4001116 386039
C titanium	1.0 mm	400.0 mm	600.0 mm	1 piece	sealed	4001116 386138
D stainless steel visual effect	1.0 mm	300.0 mm	300.0 mm	2 pieces	sealed	4001116 386046
D stainless steel visual effect	1.0 mm	400.0 mm	600.0 mm	1 piece	sealed	4001116 386145
E chrome look	1.0 mm	300.0 mm	300.0 mm	2 pieces	sealed	4001116 386008
E chrome look	1.0 mm	400.0 mm	600.0 mm	1 piece	sealed	4001116 386107

Hardware catalogue | 97002 | 01 2017 | 71708

# combitech<sup>®</sup> system | Sheets, plates and accessories

## Sheets | Aluminium

### Sheet, aluminium, uncoated

ALU



Min. OU: 5 pcs.

#### Uncoated aluminium

Colour	Thickness	Width	Long	Packaging	EAN / Item no.
A uncoated	0.3mm	250.0mm	500.0mm	sealed	400111638264 2
A uncoated	0.3mm	200.0mm	1,000.0mm	sealed	400111638261 1
A uncoated	0.3mm	300.0mm	1,000.0mm	sealed	400111638262 8
A uncoated	0.5mm	250.0mm	500.0mm	sealed	400111638274 1
A uncoated	0.5mm	120.0mm	1,000.0mm	sealed	400111638270 3
A uncoated	0.5mm	200.0mm	1,000.0mm	sealed	400111638271 0
A uncoated	0.5mm	300.0mm	1,000.0mm	sealed	400111638272 7
A uncoated	0.5mm	600.0mm	1,000.0mm	sealed	400111638273 4
A uncoated	0.5mm	1,000.0mm	2,000.0mm	rolled in a box	400111638259 8
A uncoated	0.8mm	250.0mm	500.0mm	sealed	400111637004 5
A uncoated	0.8mm	120.0mm	1,000.0mm	sealed	400111637000 7
A uncoated	0.8mm	200.0mm	1,000.0mm	sealed	400111637001 4
A uncoated	0.8mm	300.0mm	1,000.0mm	sealed	400111637002 1
A uncoated	0.8mm	600.0mm	1,000.0mm	sealed	400111637003 8
A uncoated	0.8mm	1,000.0mm	2,000.0mm	loose	400111637009 0
A uncoated	1.5mm	250.0mm	500.0mm	sealed	400111637554 5
A uncoated	1.5mm	120.0mm	1,000.0mm	sealed	400111637550 7
A uncoated	1.5mm	200.0mm	1,000.0mm	sealed	400111637551 4
A uncoated	1.5mm	300.0mm	1,000.0mm	sealed	400111637552 1
A uncoated	1.5mm	600.0mm	1,000.0mm	sealed	400111637553 8
A uncoated	1.5mm	1,000.0mm	2,000.0mm	loose	400111637559 0

### Sheet, aluminium, coated

ALP



Min. OU: 5 pcs.

#### Powder-coated aluminium

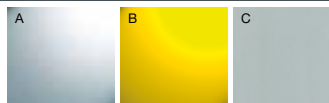
Colour	Thickness	Width	Long	Packaging	EAN / Item no.
A granite-red	0.8mm	250.0mm	500.0mm	sealed	400111638524 7
B granite-white	0.8mm	250.0mm	500.0mm	sealed	400111638574 2
C maple	0.8mm	250.0mm	500.0mm	sealed	400111638534 6
D beech	0.8mm	250.0mm	500.0mm	sealed	400111638544 5
E white	0.8mm	250.0mm	500.0mm	sealed	400111638504 9
E white	0.8mm	300.0mm	1,000.0mm	sealed	400111638502 5
E white	0.8mm	600.0mm	1,000.0mm	sealed	400111638503 2

# combitech<sup>®</sup> system | Sheets, plates and accessories

## Sheets | Aluminium

Sheet, aluminium, anodized

ALX



Min. OU: 5 pcs.

### Anodized aluminium

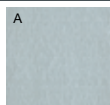
Colour	Thickness	Width	Long	Packaging	EAN / Item no.
A silver	0.8 mm	250.0mm	500.0mm	sealed	4001116370144
A silver	0.8 mm	120.0mm	1,000.0mm	sealed	4001116370106
A silver	0.8 mm	200.0mm	1,000.0mm	sealed	4001116370113
A silver	0.8 mm	300.0mm	1,000.0mm	sealed	4001116370120
A silver	0.8 mm	600.0mm	1,000.0mm	sealed	4001116370137
B brass	0.8 mm	250.0mm	500.0mm	sealed	4001116370243
B brass	0.8 mm	120.0mm	1,000.0mm	sealed	4001116370205
B brass	0.8 mm	200.0mm	1,000.0mm	sealed	4001116370212
B brass	0.8 mm	300.0mm	1,000.0mm	sealed	4001116370229
B brass	0.8 mm	600.0mm	1,000.0mm	sealed	4001116370236
C stainless steel visual effect	0.5 mm	250.0mm	500.0mm	foil-wrapped, one-sided	4001116382048
C stainless steel visual effect	0.5 mm	120.0mm	1,000.0mm	foil-wrapped, one-sided	4001116382000
C stainless steel visual effect	0.5 mm	200.0mm	1,000.0mm	foil-wrapped, one-sided	4001116382017
C stainless steel visual effect	0.5 mm	300.0mm	1,000.0mm	foil-wrapped, one-sided	4001116382024
C stainless steel visual effect	0.5 mm	600.0mm	1,000.0mm	foil-wrapped, one-sided	4001116382031
C stainless steel visual effect	0.5 mm	1,000.0mm	2,000.0mm	rolled in a box	4001116382093



# combitech<sup>®</sup> system | Sheets, plates and accessories

## Sheets | Steel

### Sheet, steel, galvanized



STA

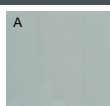
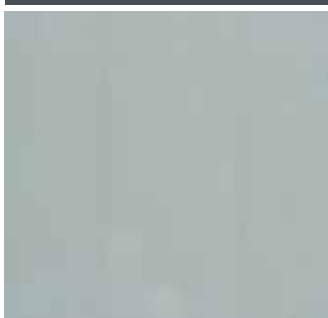


Min. OU: 5 pcs.

#### Galvanized steel

Colour	Thickness	Width	Long	Packaging	EAN / Item no.
A galvanized	0.5 mm	250.0 mm	500.0 mm	sealed	400111638054 9
A galvanized	0.5 mm	120.0 mm	1,000.0 mm	sealed	400111638050 1
A galvanized	0.5 mm	200.0 mm	1,000.0 mm	sealed	400111638051 8
A galvanized	0.5 mm	300.0 mm	1,000.0 mm	sealed	400111638052 5
A galvanized	0.5 mm	600.0 mm	1,000.0 mm	sealed	400111638053 2
A galvanized	0.5 mm	1,000.0 mm	2,000.0 mm	loose	400111638059 4

### Sheet, raw steel



STA



Min. OU: 5 pcs.

#### Raw steel

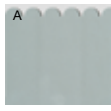
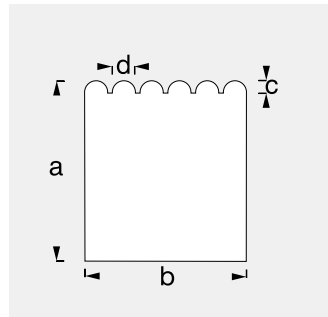
Colour	Thickness	Width	Long	Packaging	EAN / Item no.
A raw	0.75 mm	250.0 mm	500.0 mm	sealed	400111638104 1
A raw	0.75 mm	120.0 mm	1,000.0 mm	sealed	400111638100 3
A raw	0.75 mm	200.0 mm	1,000.0 mm	sealed	400111638101 0
A raw	0.75 mm	300.0 mm	1,000.0 mm	sealed	400111638102 7
A raw	0.75 mm	600.0 mm	1,000.0 mm	sealed	400111638103 4
A raw	0.75 mm	1,000.0 mm	2,000.0 mm	sealed	400111638109 6
A raw	1.5 mm	250.0 mm	500.0 mm	sealed	400111638114 0
A raw	1.5 mm	1,000.0 mm	2,100.0 mm	loose	400111638117 1

# combitech<sup>®</sup> system | Sheets, plates and accessories

## Sheets | Steel

Plain sheet, steel, untreated, processed

STA



Min. OU: 5 pcs.

Raw steel							
Colour	Dim. a	Dim. b	Dim. c	Dim. d	Thickness	Packaging	EAN/Item no.
A raw	1,000.0mm	2,000.0mm	60.0mm	112.0mm	0.75mm	loose	4001116381188



Hardware catalogue | 97002 | 01 2017 | 71708

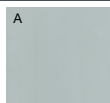


# combitech<sup>®</sup> system | Sheets, plates and accessories

## Sheets | Stainless steel | Solid copper | Solid brass

### Sheet, stainless steel

EDL



Min. OU: 5 pcs.

#### Stainless steel

Colour	Thickness	Width	Long	Packaging	EAN / Item no.
A stainless steel	0.5 mm	250.0 mm	500.0 mm	sealed	400111638254 3
A stainless steel	0.5 mm	120.0 mm	1,000.0 mm	sealed	400111638250 5
A stainless steel	0.5 mm	200.0 mm	1,000.0 mm	sealed	400111638251 2
A stainless steel	0.5 mm	300.0 mm	1,000.0 mm	sealed	400111638252 9
A stainless steel	0.5 mm	600.0 mm	1,000.0 mm	sealed	400111638253 6

### Sheet, solid copper

CU



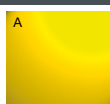
Min. OU: 5 pcs.

#### Solid copper

Colour	Thickness	Width	Long	Packaging	EAN / Item no.
A copper	0.5 mm	250.0 mm	500.0 mm	sealed	400111638154 6
A copper	0.5 mm	120.0 mm	1,000.0 mm	sealed	400111638150 8
A copper	0.5 mm	200.0 mm	1,000.0 mm	sealed	400111638151 5
A copper	0.5 mm	300.0 mm	1,000.0 mm	sealed	400111638152 2
A copper	0.5 mm	600.0 mm	1,000.0 mm	sealed	400111638153 9

### Sheet, solid brass

MES



Min. OU: 5 pcs.

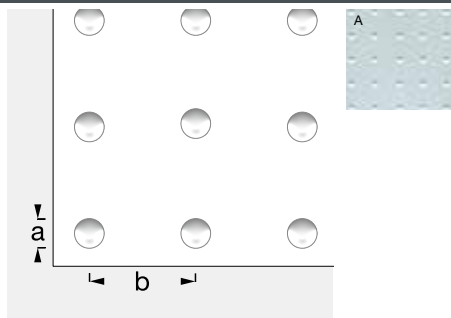
#### Solid brass

Colour	Thickness	Width	Long	Packaging	EAN / Item no.
A brass	0.5 mm	250.0 mm	500.0 mm	sealed	400111638064 8
A brass	0.5 mm	200.0 mm	1,000.0 mm	sealed	400111638061 7

# combitech<sup>®</sup> system | Sheets, plates and accessories

## Embossed sheets | Aluminium

### Round studded sheet



ALX

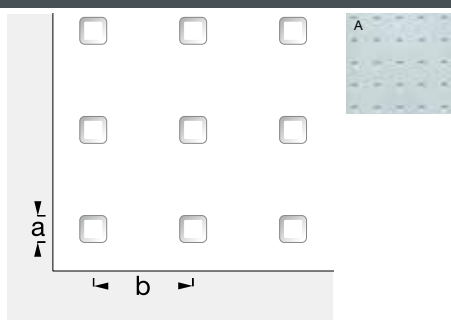


Min. OU: 5 pcs.

#### Anodized aluminium

Colour	Thickness	Dim. a	Dim. b	Width	Long	Packaging	EAN / Item no.
A polished silver	0.7 mm	10.0mm	40.0mm	240.0mm	480.0mm	sealed	4001116379147
A polished silver	0.7 mm	10.0mm	40.0mm	120.0mm	1,000.0mm	sealed	4001116379109
A polished silver	0.7 mm	10.0mm	40.0mm	200.0mm	1,000.0mm	sealed	4001116379116
A polished silver	0.7 mm	10.0mm	40.0mm	280.0mm	1,000.0mm	sealed	4001116379123
A polished silver	0.7 mm	10.0mm	40.0mm	600.0mm	1,000.0mm	sealed	4001116379130

### Square studded sheet



ALX

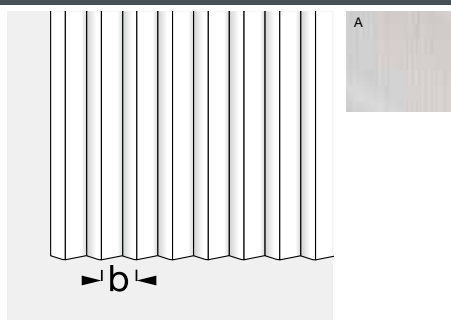


Min. OU: 5 pcs.

#### Anodized aluminium

Colour	Thickness	Dim. a	Dim. b	Width	Long	Packaging	EAN / Item no.
A polished silver	0.7 mm	10.0mm	40.0mm	240.0mm	480.0mm	sealed	4001116379642
A polished silver	0.7 mm	10.0mm	40.0mm	120.0mm	1,000.0mm	sealed	4001116379604
A polished silver	0.7 mm	10.0mm	40.0mm	200.0mm	1,000.0mm	sealed	4001116379611
A polished silver	0.7 mm	10.0mm	40.0mm	280.0mm	1,000.0mm	sealed	4001116379628
A polished silver	0.7 mm	10.0mm	40.0mm	600.0mm	1,000.0mm	sealed	4001116379635

### Corrugated sheet



ALU



Min. OU: 5 pcs.

#### Uncoated aluminium

Colour	Thickness min.	Thickness max.	Dim. b	Width	Long	Packaging	EAN / Item no.
A uncoated	1.0mm	2.0mm	9.5 mm	250.0mm	500.0mm	loose	4001116382949

# combitech<sup>®</sup> system | Sheets, plates and accessories

## Embossed sheets | Aluminium

### Hammer effect sheet



ALU



Min. OU: 5 pcs.

#### Uncoated aluminium

Colour	Thickness	Width	Long	Packaging	EAN/Item no.
A uncoated	0.5mm	250.0mm	500.0mm	loose	400111637104 2
A uncoated	0.5mm	120.0mm	1,000.0mm	loose	400111637100 4
A uncoated	0.5mm	200.0mm	1,000.0mm	loose	400111637101 1
A uncoated	0.5mm	300.0mm	1,000.0mm	loose	400111637102 8
A uncoated	0.5mm	600.0mm	1,000.0mm	loose	400111637103 5
A uncoated	0.5mm	1,000.0mm	2,000.0mm	loose	400111637109 7

### Hammer effect sheet



ALX



Min. OU: 5 pcs.


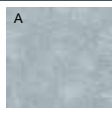
#### Anodized aluminium

Colour	Thickness	Width	Long	Packaging	EAN/Item no.
A brass	0.5mm	250.0mm	500.0mm	loose	400111637124 0
A brass	0.5mm	120.0mm	1,000.0mm	loose	400111637120 2
A brass	0.5mm	200.0mm	1,000.0mm	loose	400111637121 9
A brass	0.5mm	300.0mm	1,000.0mm	loose	400111637122 6
A brass	0.5mm	600.0mm	1,000.0mm	loose	400111637123 3
B copper	0.5mm	250.0mm	500.0mm	loose	400111637144 8
B copper	0.5mm	120.0mm	1,000.0mm	loose	400111637140 0
B copper	0.5mm	200.0mm	1,000.0mm	loose	400111637141 7
B copper	0.5mm	300.0mm	1,000.0mm	loose	400111637142 4
B copper	0.5mm	600.0mm	1,000.0mm	loose	400111637143 1
B copper	0.5mm	1,000.0mm	2,000.0mm	rolled in a box	400111637149 3


# combitech<sup>®</sup> system | Sheets, plates and accessories

## Embossed sheets | Aluminium

**Roughcast sheet**

ALU



Min. OU: 5 pcs.

**Uncoated aluminium**

Colour	Thickness	Width	Long	Packaging	EAN / Item no.
A uncoated	0.8mm	250.0mm	500.0mm	loose	4001116370540
A uncoated	0.8mm	120.0mm	1,000.0mm	loose	4001116370502
A uncoated	0.8mm	200.0mm	1,000.0mm	loose	4001116370519
A uncoated	0.8mm	300.0mm	1,000.0mm	loose	4001116370526
A uncoated	0.8mm	600.0mm	1,000.0mm	loose	4001116370533
A uncoated	0.8mm	1,000.0mm	2,000.0mm	loose	4001116370595

**Roughcast sheet**




ALX

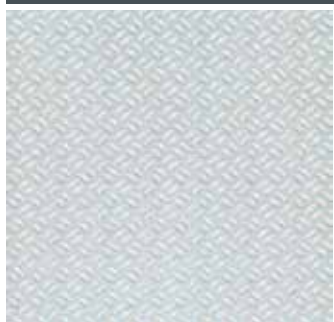
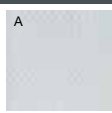


Min. OU: 5 pcs.

**Anodized aluminium**

Colour	Thickness	Width	Long	Packaging	EAN / Item no.
A brass	0.8mm	250.0mm	500.0mm	loose	4001116370748

**Barleycorn**

ALU



Min. OU: 5 pcs.

**Uncoated aluminium**

Colour	Thickness min.	Thickness max.	Width	Long	Packaging	EAN / Item no.
A uncoated	1.5mm	2.0mm	250.0mm	500.0mm	loose	4001116382840
A uncoated	1.5mm	2.0mm	120.0mm	1,000.0mm	loose	4001116382802
A uncoated	1.5mm	2.0mm	200.0mm	1,000.0mm	loose	4001116382819
A uncoated	1.5mm	2.0mm	300.0mm	1,000.0mm	loose	4001116382826
A uncoated	1.5mm	2.0mm	600.0mm	1,000.0mm	loose	4001116382833

# combitech<sup>®</sup> system | Sheets, plates and accessories

## Embossed sheets | Aluminium

### Checker plate



ALU



Min. OU: 5 pcs.

#### Uncoated aluminium

Colour	Thickness min.	Thickness max.	Width	Long	Packaging	EAN / Item no.
A uncoated	1.5mm	2.0mm	250.0mm	500.0mm	loose	4001116371547
A uncoated	1.5mm	2.0mm	120.0mm	1,000.0mm	loose	4001116371509
A uncoated	1.5mm	2.0mm	200.0mm	1,000.0mm	loose	4001116371516
A uncoated	1.5mm	2.0mm	300.0mm	1,000.0mm	loose	4001116371523
A uncoated	1.5mm	2.0mm	600.0mm	1,000.0mm	loose	4001116371530
A uncoated	1.5mm	2.0mm	400.0mm	2,000.0mm	loose	4001116371554
A uncoated	1.5mm	2.0mm	600.0mm	2,000.0mm	loose	4001116371561
A uncoated	1.5mm	2.0mm	1,000.0mm	2,000.0mm	loose	4001116371592
A uncoated	2.5mm	3.5mm	200.0mm	1,000.0mm	loose	4001116371714
A uncoated	2.5mm	3.5mm	300.0mm	1,000.0mm	loose	4001116371721
A uncoated	2.5mm	3.5mm	600.0mm	1,000.0mm	loose	4001116371738
A uncoated	2.5mm	3.5mm	400.0mm	2,000.0mm	loose	4001116371752
A uncoated	2.5mm	3.5mm	600.0mm	2,000.0mm	loose	4001116371769
A uncoated	2.5mm	3.5mm	1,000.0mm	2,000.0mm	loose	4001116375095

### Checker plate



ALX



Min. OU: 5 pcs.

#### Anodized aluminium

Colour	Thickness min.	Thickness max.	Width	Long	Packaging	EAN / Item no.
A silver	1.5mm	2.0mm	600.0mm	1,000.0mm	shrink-wrapped	4001116364037
B titanium	1.5mm	2.0mm	600.0mm	1,000.0mm	shrink-wrapped	4001116364235
C champagne	1.5mm	2.0mm	600.0mm	1,000.0mm	shrink-wrapped	4001116364334



# combitech<sup>®</sup> system | Sheets, plates and accessories

## Embossed sheets | Aluminium

Checker plate



ALP



Min. OU: 5 pcs.

Powder-coated aluminium

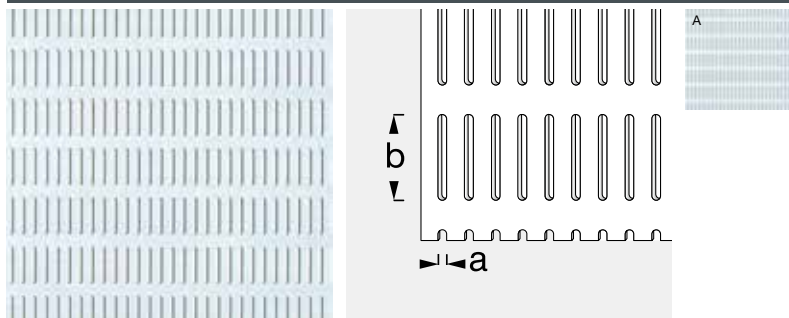
Colour	Thickness min.	Thickness max.	Width	Long	Packaging	EAN / Item no.
A white	1.5 mm	2.0 mm	600.0 mm	1,000.0 mm	shrink-wrapped	4001116364532



# combitech<sup>®</sup> system | Sheets, plates and accessories

## Perforated sheets | Aluminium

### Slotted hole sheet



ALX

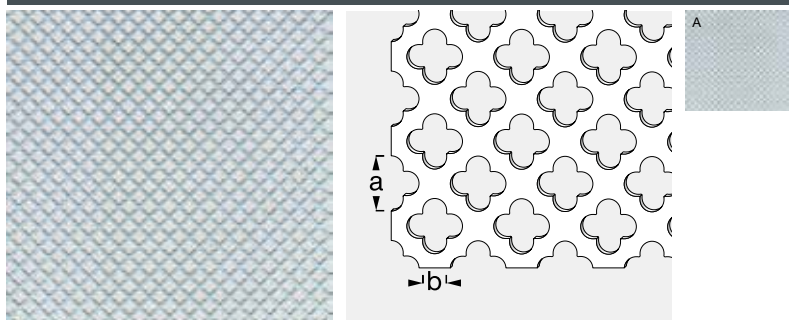


Min. OU: 5 pcs.

#### Anodized aluminium

Colour	Thickness	Dim. a	Dim. b	Width	Long	Packaging	EAN / Item no.
A silver	0.7 mm	1.5 mm	20.0 mm	250.0 mm	500.0 mm	sealed	4001116372643
A silver	0.7 mm	1.5 mm	20.0 mm	120.0 mm	1,000.0 mm	sealed	4001116372605
A silver	0.7 mm	1.5 mm	20.0 mm	200.0 mm	1,000.0 mm	sealed	4001116372612
A silver	0.7 mm	1.5 mm	20.0 mm	300.0 mm	1,000.0 mm	sealed	4001116372629
A silver	0.7 mm	1.5 mm	20.0 mm	600.0 mm	1,000.0 mm	sealed	4001116372636

### Cross hole sheet



ALX

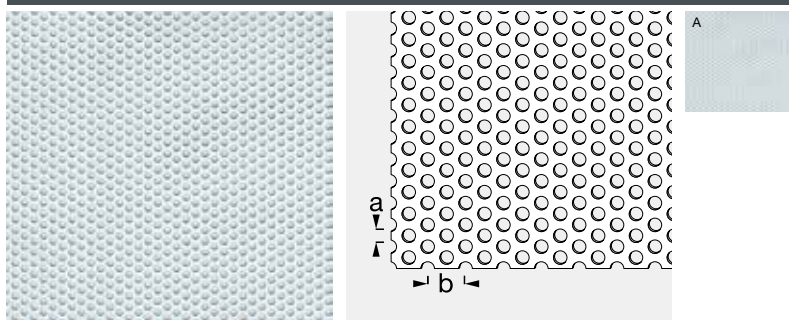


Min. OU: 5 pcs.

#### Anodized aluminium

Colour	Thickness	Dim. a	Dim. b	Width	Long	Packaging	EAN / Item no.
A silver	0.7 mm	7.0 mm	3.0 mm	250.0 mm	500.0 mm	sealed	4001116372148
A silver	0.7 mm	7.0 mm	3.0 mm	120.0 mm	1,000.0 mm	sealed	4001116372100
A silver	0.7 mm	7.0 mm	3.0 mm	200.0 mm	1,000.0 mm	sealed	4001116372117
A silver	0.7 mm	7.0 mm	3.0 mm	300.0 mm	1,000.0 mm	sealed	4001116372124
A silver	0.7 mm	7.0 mm	3.0 mm	600.0 mm	1,000.0 mm	sealed	4001116372131

### Round hole sheet



ALX



Min. OU: 5 pcs.

#### Anodized aluminium

Colour	Thickness	Dim. a	Dim. b	Width	Long	Packaging	EAN / Item no.
A silver	0.7 mm	1.5 mm	3.0 mm	250.0 mm	500.0 mm	sealed	4001116373640
A silver	0.7 mm	1.5 mm	3.0 mm	120.0 mm	1,000.0 mm	sealed	4001116373602
A silver	0.7 mm	1.5 mm	3.0 mm	200.0 mm	1,000.0 mm	sealed	4001116373619
A silver	0.7 mm	1.5 mm	3.0 mm	300.0 mm	1,000.0 mm	sealed	4001116373626



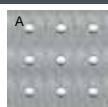
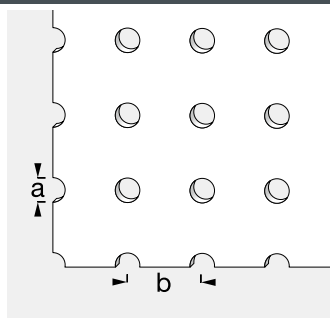
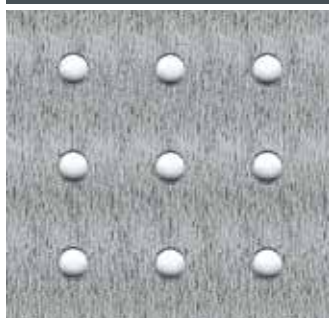
# combitech<sup>®</sup> system | Sheets, plates and accessories

## Perforated sheets | Aluminium

Continued from the previous page

Anodized aluminium							
Colour	Thickness	Dim. a	Dim. b	Width	Long	Packaging	EAN / Item no.
A silver	0.7 mm	1.5 mm	3.0 mm	600.0 mm	1,000.0 mm	sealed	4001116373633
A silver	0.7 mm	1.5 mm	3.0 mm	1,000.0 mm	2,000.0 mm	sealed	4001116373695
A silver	0.7 mm	4.0 mm	6.0 mm	250.0 mm	500.0 mm	sealed	4001116374142
A silver	0.7 mm	4.0 mm	6.0 mm	120.0 mm	1,000.0 mm	sealed	4001116374104
A silver	0.7 mm	4.0 mm	6.0 mm	200.0 mm	1,000.0 mm	sealed	4001116374111
A silver	0.7 mm	4.0 mm	6.0 mm	300.0 mm	1,000.0 mm	sealed	4001116374128
A silver	0.7 mm	4.0 mm	6.0 mm	600.0 mm	1,000.0 mm	sealed	4001116374135

### Round hole sheet



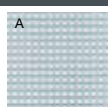
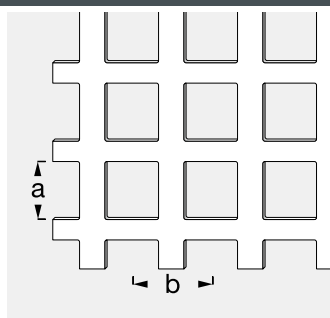
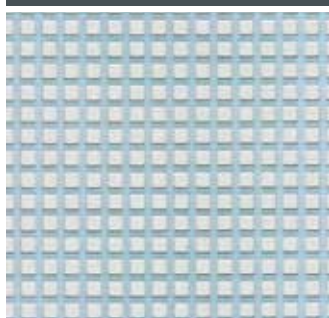
ALU



Min. OU: 5 pcs.

Uncoated aluminium							
Colour	Thickness	Dim. a	Dim. b	Width	Long	Packaging	EAN / Item no.
A uncoated	1.5 mm	4.5 mm	15.0 mm	250.0 mm	500.0 mm	sealed	4001116378041
A uncoated	1.5 mm	4.5 mm	15.0 mm	120.0 mm	1,000.0 mm	sealed	4001116378003
A uncoated	1.5 mm	4.5 mm	15.0 mm	200.0 mm	1,000.0 mm	sealed	4001116378010
A uncoated	1.5 mm	4.5 mm	15.0 mm	300.0 mm	1,000.0 mm	sealed	4001116378027
A uncoated	1.5 mm	4.5 mm	15.0 mm	600.0 mm	1,000.0 mm	sealed	4001116378034
A uncoated	1.5 mm	4.5 mm	15.0 mm	1,000.0 mm	2,000.0 mm	loose	4001116378096

### Square hole sheet



ALX



Min. OU: 5 pcs.

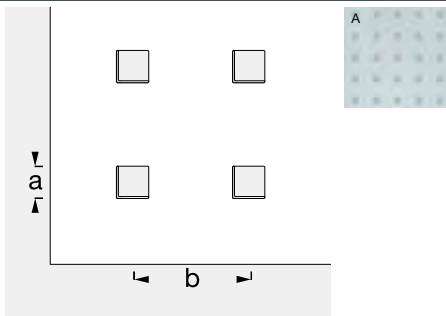
Anodized aluminium							
Colour	Thickness	Dim. a	Dim. b	Width	Long	Packaging	EAN / Item no.
A silver	0.7 mm	8.0 mm	12.0 mm	250.0 mm	500.0 mm	sealed	4001116373145
A silver	0.7 mm	8.0 mm	12.0 mm	120.0 mm	1,000.0 mm	sealed	4001116373107
A silver	0.7 mm	8.0 mm	12.0 mm	200.0 mm	1,000.0 mm	sealed	4001116373114
A silver	0.7 mm	8.0 mm	12.0 mm	300.0 mm	1,000.0 mm	sealed	4001116373121
A silver	0.7 mm	8.0 mm	12.0 mm	600.0 mm	1,000.0 mm	sealed	4001116373138



# combitech<sup>®</sup> system | Sheets, plates and accessories

## Perforated sheets | Aluminium | Steel

### Square hole sheet



ALX

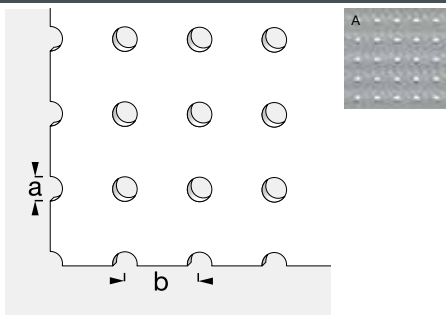
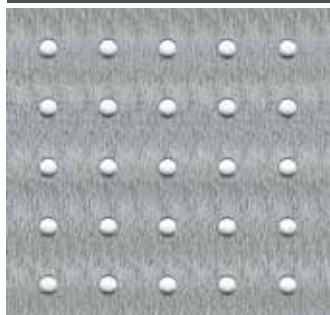


Min. OU: 5 pcs.

#### Anodized aluminium

Colour	Thickness	Dim. a	Dim. b	Width	Long	Packaging	EAN/Item no.
A polished silver	0.7 mm	10.0mm	40.0mm	240.0mm	480.0mm	sealed	4001116380143
A polished silver	0.7 mm	10.0mm	40.0mm	120.0mm	1,000.0mm	sealed	4001116380105
A polished silver	0.7 mm	10.0mm	40.0mm	200.0mm	1,000.0mm	sealed	4001116380112
A polished silver	0.7 mm	10.0mm	40.0mm	280.0mm	1,000.0mm	sealed	4001116380129
A polished silver	0.7 mm	10.0mm	40.0mm	600.0mm	1,000.0mm	sealed	4001116380136

### Round hole sheet



STA



Min. OU: 5 pcs.

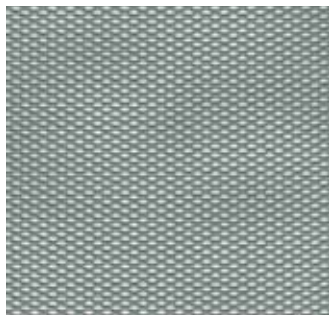
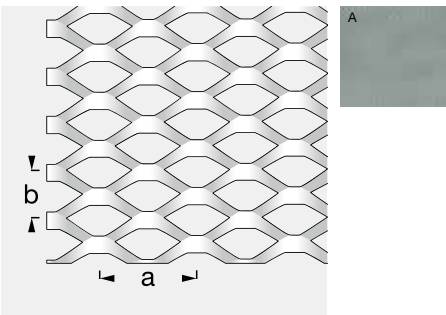

#### Galvanized steel

Colour	Thickness	Dim. a	Dim. b	Width	Long	Packaging	EAN/Item no.
A galvanized	1.5 mm	4.5 mm	15.0 mm	250.0mm	500.0mm	loose	4001116378546
A galvanized	1.5 mm	4.5 mm	15.0 mm	120.0mm	1,000.0mm	loose	4001116378508
A galvanized	1.5 mm	4.5 mm	15.0 mm	200.0mm	1,000.0mm	loose	4001116378515
A galvanized	1.5 mm	4.5 mm	15.0 mm	300.0mm	1,000.0mm	loose	4001116378522
A galvanized	1.5 mm	4.5 mm	15.0 mm	600.0mm	1,000.0mm	loose	4001116378539
A galvanized	1.5 mm	4.5 mm	15.0 mm	1,000.0mm	2,000.0mm	loose	4001116378591

# combitech<sup>®</sup> system | Sheets, plates and accessories

## Stretch metal | Aluminium

**Stretch metal** ALU


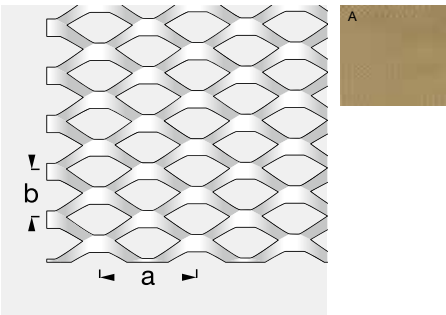





Min. OU: 5 pcs.

**Uncoated aluminium**

Colour	Thickness	Dim. a	Dim. b	Width	Long	Packaging	EAN / Item no.
A uncoated	1.6mm	10.0mm	5.0mm	250.0mm	500.0mm	sealed	4001116374647
A uncoated	1.6mm	10.0mm	5.0mm	120.0mm	1,000.0mm	sealed	4001116374609
A uncoated	1.6mm	10.0mm	5.0mm	200.0mm	1,000.0mm	sealed	4001116374616
A uncoated	1.6mm	10.0mm	5.0mm	300.0mm	1,000.0mm	sealed	4001116374623
A uncoated	1.6mm	10.0mm	5.0mm	600.0mm	1,000.0mm	sealed	4001116374630
A uncoated	1.6mm	10.0mm	5.0mm	1,000.0mm	2,000.0mm	rolled in a box	4001116374692

**Stretch metal** ALX

Min. OU: 5 pcs.

**Anodized aluminium**

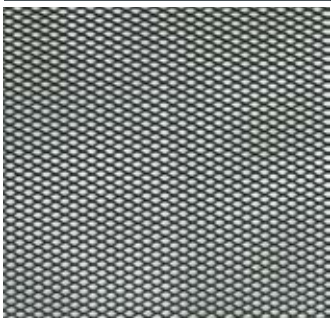
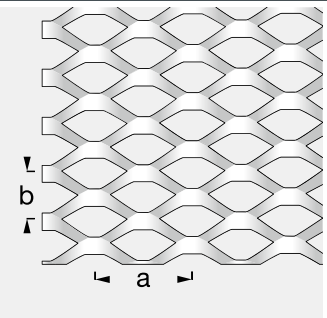
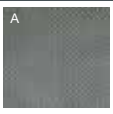
Colour	Thickness	Dim. a	Dim. b	Width	Long	Packaging	EAN / Item no.
A brass	1.6mm	10.0mm	5.0mm	250.0mm	500.0mm	sealed	4001116374746
A brass	1.6mm	10.0mm	5.0mm	120.0mm	1,000.0mm	sealed	4001116374708
A brass	1.6mm	10.0mm	5.0mm	200.0mm	1,000.0mm	sealed	4001116374715
A brass	1.6mm	10.0mm	5.0mm	300.0mm	1,000.0mm	sealed	4001116374722
A brass	1.6mm	10.0mm	5.0mm	600.0mm	1,000.0mm	sealed	4001116374739
A brass	1.6mm	10.0mm	5.0mm	1,000.0mm	2,000.0mm	rolled in a box	4001116374791




# combitech<sup>®</sup> system | Sheets, plates and accessories

## Stretch metal | Aluminium | Steel


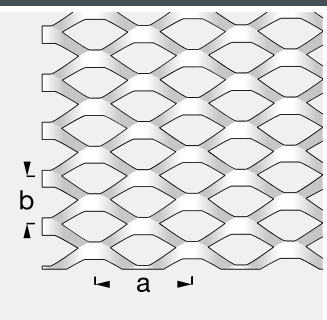

**Stretch metal** ALP






  
 Min. OU: 5 pcs.

Powder-coated aluminium							
Colour	Thickness	Dim. a	Dim. b	Width	Long	Packaging	EAN / Item no.
A black	1.6mm	10.0mm	5.0mm	250.0mm	500.0mm	sealed	400111637524 8
A black	1.6mm	10.0mm	5.0mm	200.0mm	1,000.0mm	sealed	400111637521 7
A black	1.6mm	10.0mm	5.0mm	600.0mm	1,000.0mm	sealed	400111637523 1

**Stretch metal** STA

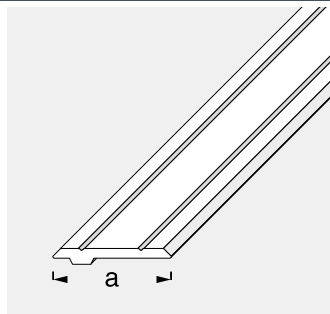
  
 Min. OU: 5 pcs.

Raw steel							
Colour	Thickness	Dim. a	Dim. b	Width	Long	Packaging	EAN / Item no.
A raw	1.2mm	6.0mm	3.5mm	250.0mm	500.0mm	sealed	400111637604 7
A raw	1.2mm	6.0mm	3.5mm	120.0mm	1,000.0mm	sealed	400111637600 9
A raw	1.2mm	6.0mm	3.5mm	200.0mm	1,000.0mm	sealed	400111637601 6
A raw	1.2mm	6.0mm	3.5mm	300.0mm	1,000.0mm	sealed	400111637602 3
A raw	1.2mm	6.0mm	3.5mm	600.0mm	1,000.0mm	sealed	400111637603 0
A raw	2.2mm	10.0mm	5.8mm	250.0mm	500.0mm	sealed	400111637654 2
A raw	2.2mm	10.0mm	5.8mm	120.0mm	1,000.0mm	sealed	400111637650 4
A raw	2.2mm	10.0mm	5.8mm	200.0mm	1,000.0mm	sealed	400111637651 1
A raw	2.2mm	10.0mm	5.8mm	300.0mm	1,000.0mm	sealed	400111637652 8
A raw	2.2mm	10.0mm	5.8mm	600.0mm	1,000.0mm	sealed	400111637653 5
A raw	2.8mm	16.0mm	8.0mm	250.0mm	500.0mm	sealed	400111637704 4
A raw	2.8mm	16.0mm	8.0mm	120.0mm	1,000.0mm	sealed	400111637700 6
A raw	2.8mm	16.0mm	8.0mm	200.0mm	1,000.0mm	sealed	400111637701 3
A raw	2.8mm	16.0mm	8.0mm	300.0mm	1,000.0mm	sealed	400111637702 0
A raw	2.8mm	16.0mm	8.0mm	600.0mm	1,000.0mm	sealed	400111637703 7

# combitech<sup>®</sup> system | Sheets, plates and accessories

## Prismatech

### Covering profile, one-sided



· Profiles with the unique drill alignment groove

ALU

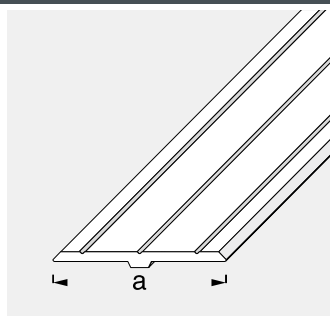


Min. OU: 5 pcs.

#### Uncoated aluminium

Colour	Dim. a	Packaging	length: 1.00 m EAN / Item no.
A uncoated	19.5 mm	loose	4001116 270406

### Covering profile, two-sided



· Profiles with the unique drill alignment groove

ALU

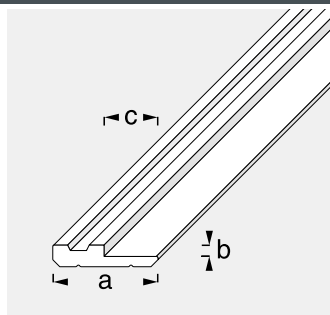


Min. OU: 5 pcs.

#### Uncoated aluminium

Colour	Dim. a	Packaging	length: 1.00 m EAN / Item no.
A uncoated	29.5 mm	loose	4001116 270604

### Support profile, one-sided



· Profiles with the unique drill alignment groove

ALU



Min. OU: 5 pcs.

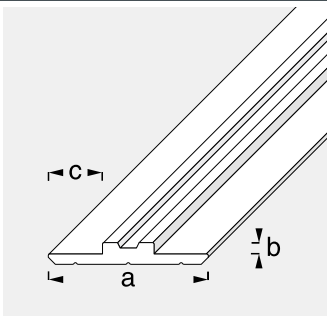
#### Uncoated aluminium

Colour	Dim. a	Dim. b	Dim. c	Packaging	length: 1.00 m EAN / Item no.
A uncoated	19.5 mm	1.2 mm	10.0 mm	loose	4001116 270802
A uncoated	19.5 mm	2.1 mm	10.0 mm	loose	4001116 271809
A uncoated	19.5 mm	3.1 mm	10.0 mm	loose	4001116 272806

# combitech<sup>®</sup> system | Sheets, plates and accessories

## Prismatech

### Support profile, two-sided



· Profiles with the unique drill alignment groove

ALU

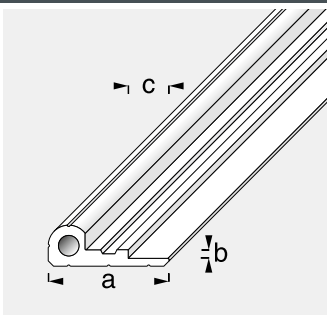


Min. OU: 5 pcs.

#### Uncoated aluminium

Colour	Dim. a	Dim. b	Dim. c	Packaging	length: 1.00 m EAN / Item no.
A uncoated	29.5 mm	1.2 mm	10.0 mm	loose	4001116271007
A uncoated	29.5 mm	2.1 mm	10.0 mm	loose	4001116272004
A uncoated	29.5 mm	3.1 mm	10.0 mm	loose	4001116273001

### Hinge profile



· Profiles with the unique drill alignment groove

ALU

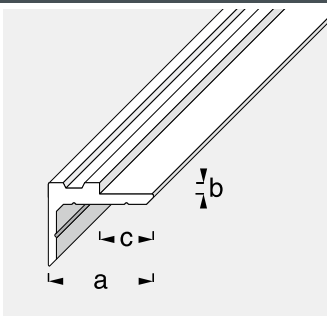


Min. OU: 5 pcs.

#### Uncoated aluminium

Colour	Dim. a	Dim. b	Dim. c	For	Packaging	length: 1.00 m EAN / Item no.
A uncoated	29.5 mm	1.2 mm	10.0 mm	M5	loose	4001116271601
A uncoated	29.5 mm	2.1 mm	10.0 mm	M5	loose	4001116272608
A uncoated	29.5 mm	3.1 mm	10.0 mm	M5	loose	4001116273605

### Angle profile, one-sided



· Profiles with the unique drill alignment groove

ALU



Min. OU: 5 pcs.

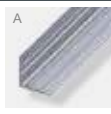
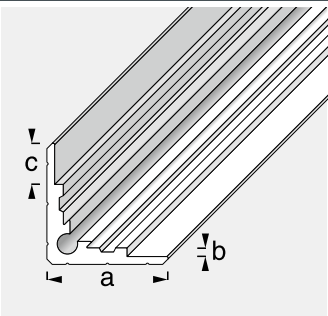
#### Uncoated aluminium

Colour	Dim. a	Dim. b	Dim. c	Packaging	length: 1.00 m EAN / Item no.
A uncoated	19.5 mm	1.2 mm	10.0 mm	loose	4001116271403
A uncoated	19.5 mm	2.1 mm	10.0 mm	loose	4001116272400
A uncoated	19.5 mm	3.1 mm	10.0 mm	loose	4001116273407

# combitech<sup>®</sup> system | Sheets, plates and accessories

## Prismatech

### Angle profile, two-sided



ALU



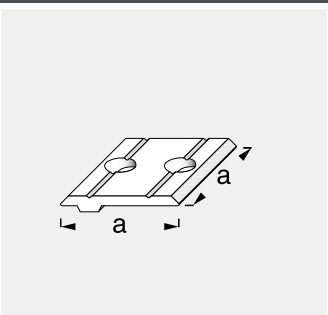
Min. OU: 5 pcs.

· Profiles with the unique drill alignment groove

#### Uncoated aluminium

Colour	Dim. a	Dim. b	Dim. c	For	Packaging	length: 1.00 m EAN / Item no.
A uncoated	29.5 mm	1.2 mm	10.0 mm	M5	loose	4001116 271205
A uncoated	29.5 mm	2.1 mm	10.0 mm	M5	loose	4001116 272202
A uncoated	29.5 mm	3.1 mm	10.0 mm	M5	loose	4001116 273209

### Covering profile, one-sided, vibratory finish



ALG



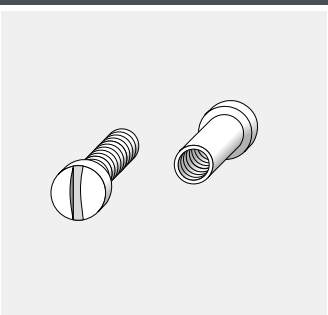
Min. OU: 5 pcs.

· Profiles with the unique drill alignment groove  
· Cover profile pieces mounted in the reverse direction can be used as practical suspension eyes

#### Aluminium, vibratory finish

Colour	Dim. a	PU	Packaging	EAN / Item no.
A vibratory finish	19.5 mm	8 pieces	SS box	4001116 270420

### Prismatech sleeve nut kit, uncoated



ALU



Min. OU: 5 pcs.

· Screw connection suitable for Prismatech and many other applications  
· 4 M3 sleeve nuts with slot 6 × 7.0/7.9/9.4 mm  
· 4 M3 screws with slot 6 × 6.4/7.3/8.8 mm

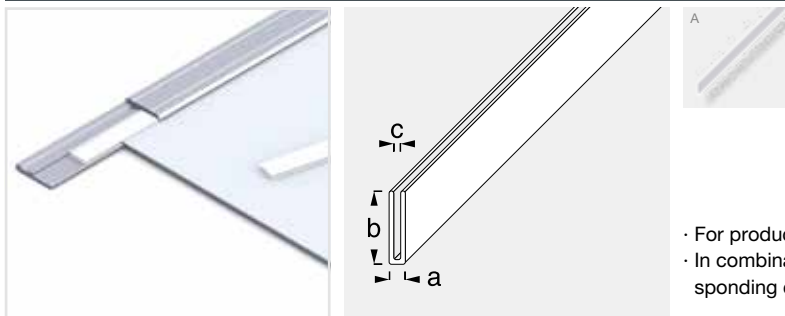
#### Uncoated aluminium

Colour	Packaging	EAN / Item no.
A uncoated	SS box	4001116 304200

# combitech<sup>®</sup> system | Sheets, plates and accessories

## Prismatech | Accessories

### Sealing profile



EVA

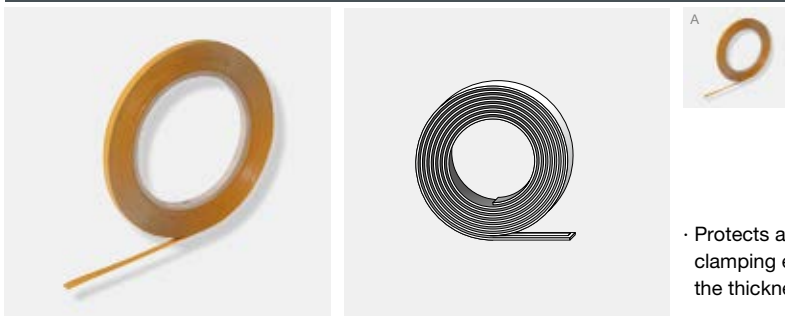


Min. OU: 5 pcs.

- For producing vibration-cushioned and splash-proof crates
- In combination with the Prismatech support profiles and the corresponding cover profiles

Plastic (EVA)						length: 2.50 m
Colour	Dim. a	Dim. b	Dim. c	Packaging	EAN / Item no.	
A transparent	2.1 mm	9.5 mm	0.9 mm	SS box	400111630452 1	
A transparent	3.1 mm	9.5 mm	2.0 mm	SS box	400111630453 8	

### Double adhesive tape with intermediate support

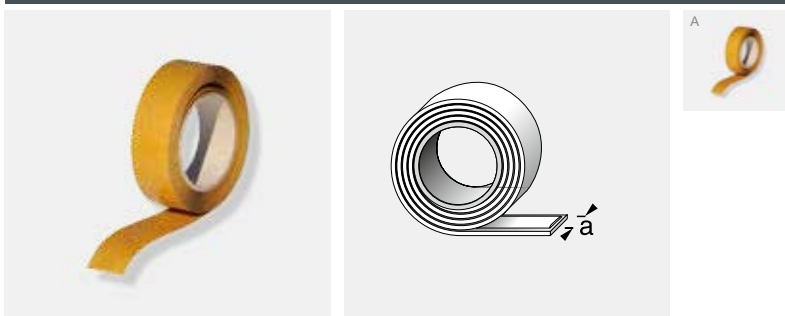


Min. OU: 5 pcs.

- Protects against splash water, dampens vibrations and increases the clamping effect of sheets in the Prismatech profile by compensating for the thickness and securing the filling

Dim. a	PU	Packaging	length: 25.00 m
			EAN / Item no.
A 8.0 mm	25,00 m	SS box	400111630693 8

### Adhesive cord, strapless, with covering tape



Min. OU: 5 pcs.

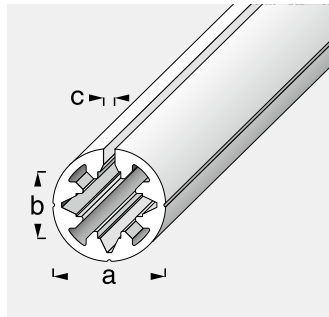
Dim. a	PU	Packaging	length: 5.00 m
			EAN / Item no.
A 10.0 mm	5,00 m	SS box	400111630691 4



# combitech<sup>®</sup> system | Sheets, plates and accessories

## Multitube

### Round tube



ALU



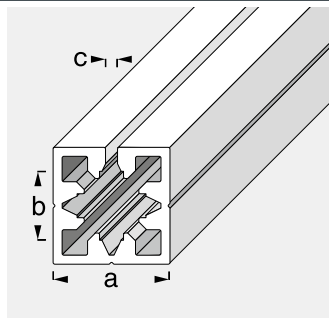
Min. OU: 5 pcs.

· Profiles with the unique drill alignment groove

#### Uncoated aluminium

Colour	Dim. a	Dim. b	Dim. c	Packaging	length: 1.00 m	length: 2.50 m
					EAN / Item no.	EAN / Item no.
A uncoated	19.5 mm	11.5 mm	1.0 mm	loose	4001116 27500 5	4001116 27501 2
A uncoated	23.5 mm	14.5 mm	1.5 mm	loose	4001116 27520 3	4001116 27521 0
A uncoated	29.5 mm	19.5 mm	1.5 mm	loose	4001116 27540 1	4001116 27541 8

### Square tube



ALU



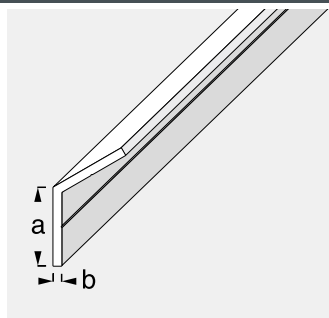
Min. OU: 5 pcs.

· Profiles with the unique drill alignment groove

#### Uncoated aluminium

Colour	Dim. a	Dim. b	Dim. c	Packaging	length: 1.00 m	length: 2.50 m
					EAN / Item no.	EAN / Item no.
A uncoated	19.5 mm	11.5 mm	1.0 mm	loose	4001116 27560 9	4001116 27561 6
A uncoated	23.5 mm	14.5 mm	1.5 mm	loose	4001116 27580 7	4001116 27581 4
A uncoated	29.5 mm	19.5 mm	1.5 mm	loose	4001116 27600 2	4001116 27601 9

### Angle, equal-sided 120°



ALU



Min. OU: 5 pcs.

· Profiles with the unique drill alignment groove

#### Uncoated aluminium

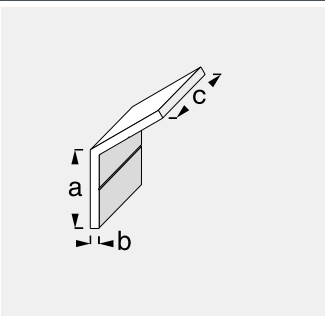
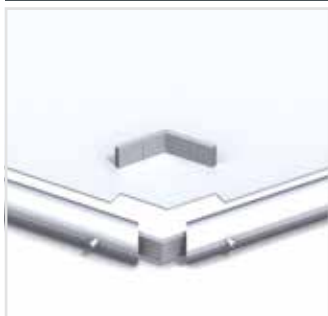
Colour	Dim. a	Dim. b	Packaging	length: 1.00 m
				EAN / Item no.
A uncoated	15.5 mm	1.5 mm	loose	4001116 27950 8

# combitech<sup>®</sup> system | Sheets, plates and accessories

## Multitube | Accessories

### Corner angle 120° set

ALG



Min. OU: 5 pcs.

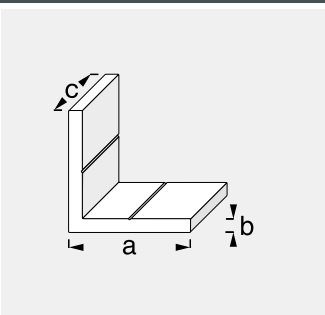
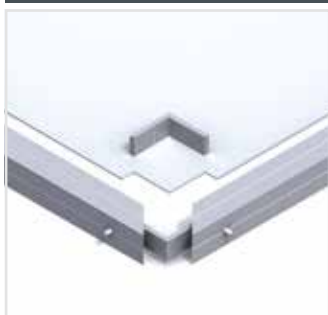
· Profiles with the unique drill alignment groove

#### Aluminium, vibratory finish

Colour	Dim. a	Dim. b	Dim. c	For tube	PU	Packaging	EAN/Item no.
A vibratory finish	35.5 mm	4.0 mm	11.5 mm	19.5 mm	8 pieces	SS box	4001116278228
A vibratory finish	35.5 mm	4.0 mm	14.5 mm	23.5 mm	8 pieces	SS box	4001116278235
A vibratory finish	35.5 mm	4.0 mm	19.5 mm	29.5 mm	8 pieces	SS box	4001116278242

### Corner angle 90° set

ALG



Min. OU: 5 pcs.

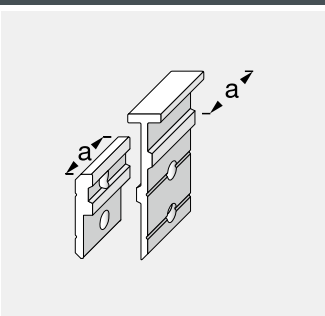
· Profiles with the unique drill alignment groove

#### Aluminium, vibratory finish

Colour	Dim. a	Dim. b	Dim. c	For tube	PU	Packaging	EAN/Item no.
A vibratory finish	35.5 mm	4.0 mm	11.5 mm	19.5 mm	4 pieces	SS box	4001116278020
A vibratory finish	35.5 mm	4.0 mm	14.5 mm	23.5 mm	4 pieces	SS box	4001116278037
A vibratory finish	35.5 mm	4.0 mm	19.5 mm	29.5 mm	4 pieces	SS box	4001116278044

### Hanging kit

ALG



Min. OU: 5 pcs.

· Profiles with the unique drill alignment groove

#### Aluminium, vibratory finish

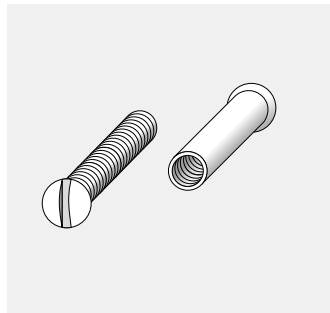
Colour	Dim. a	PU	Packaging	EAN/Item no.
A vibratory finish	23.5 mm	16 pieces	SS box	4001116277429

# combitech<sup>®</sup> system | Sheets, plates and accessories

## Multitube | Accessories

### Multitube sleeve nut kit

STA



Min. OU: 5 pcs.

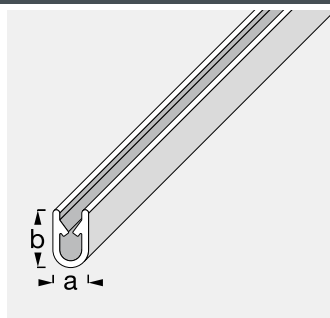
- For tensioning Multitube tubes with thin plates, plexiglass, etc. Content:
- 4 x M4 sleeve nuts with 13.5mm slot
- 4 M4 raised countersunk head screws with 12.0/16.0/25.0mm slot

### Galvanized steel

Colour	PU	Packaging	EAN / Item no.
A galvanized	16 pieces	SS box	4001116304101

### Edge protecting profile

PVC



Min. OU: 5 pcs.

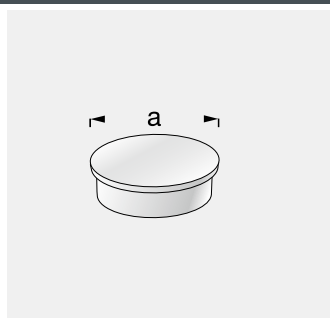
- Effective and weather-resistant prevention against injury
- Extremely good bond to sheets without glue or rivets
- Extremely durable thanks to metal core, can even be bent around tight curves

### Plastic (hard PVC)

Colour	Dim. a	Dim. b	Packaging	length: 2.50 m EAN / Item no.
A black	6.5 mm	9.5 mm	SS box	4001116304552
A black	10.5 mm	17.0 mm	SS box	4001116304545

### Hard ferrite magnet with plastic case

FER



Min. OU: 5 pcs.

### Hard ferrite with plastic case

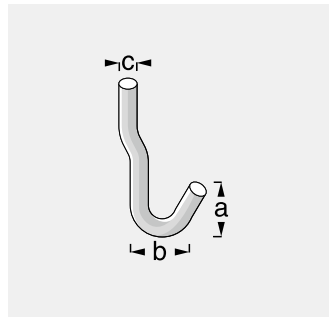
Colour	Dim. a	PU	Packaging	EAN / Item no.
A white	30.0 mm	2 pieces	SS box	4001116306839

# combitech<sup>®</sup> system | Sheets, plates and accessories

## Multitube | Accessories

### Perforated sheet hook, small

STA



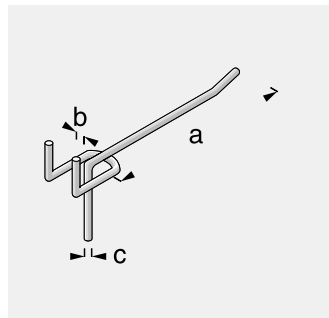
Min. OU: 5 pcs.

#### Galvanized steel

Colour	Dim. a	Dim. b	Dim. c	PU	Packaging	EAN / Item no.
A silver	15.0 mm	15.0 mm	3.4 mm	6 pieces	SS box	4001116304606

### Perforated sheet hook, large

STA



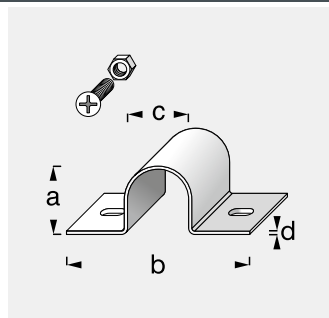
Min. OU: 5 pcs.

#### Galvanized steel

Colour	Dim. a	Dim. b	Dim. c	PU	Packaging	EAN / Item no.
A silver	80.0 mm	15.0 mm	3.4 mm	6 pieces	SS box	4001116304613

### Bolt clamp

STA



Min. OU: 5 pcs.

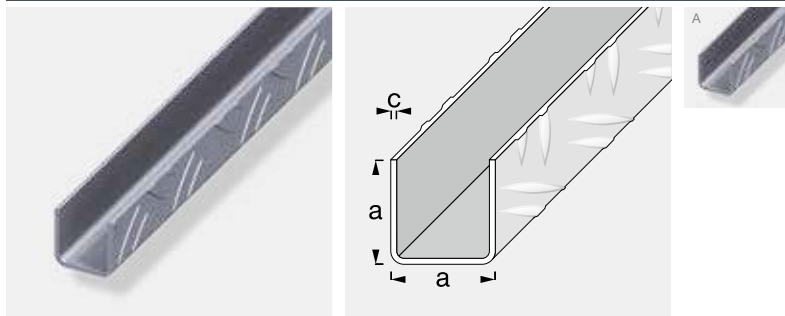
#### Galvanized steel

Colour	Dim. a	Dim. b	Dim. c	Dim. d	PU	Packaging	EAN / Item no.
A galvanized	16.8 mm	45.0 mm	15.0 mm	0.8 mm	10 pieces	clap-pac	4001116381195

# combitech<sup>®</sup> system | Sheets, plates and accessories

## Checker plate profiles

### Square U



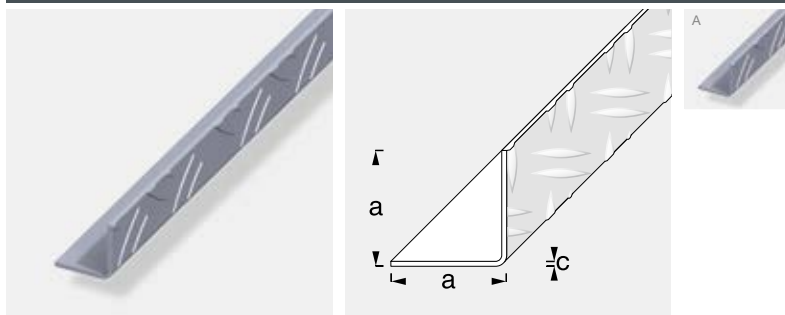
ALU



Min. OU: 5 pcs.

Uncoated aluminium					length: 1.00 m	length: 2.50 m
Colour	Dim. a	Dim. c min.	Dim. c max.	Packaging	EAN/Item no.	EAN/Item no.
A uncoated	23.5 mm	1.5 mm	2.0 mm	loose	4001116279201	4001116279218
A uncoated	29.5 mm	1.5 mm	2.0 mm	loose	4001116279300	4001116279317
A uncoated	35.5 mm	1.5 mm	2.0 mm	loose	4001116279409	4001116279416

### Angle, equal-sided



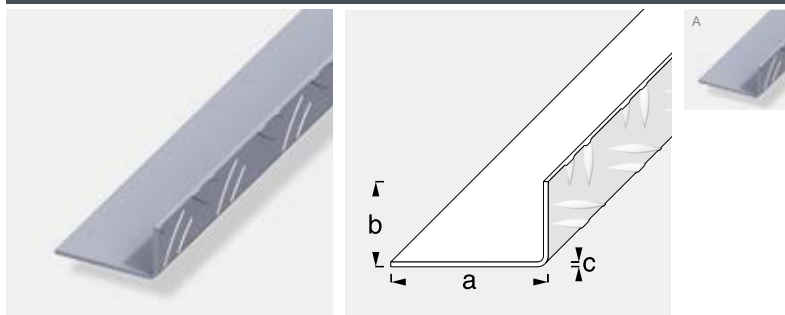
ALU



Min. OU: 5 pcs.

Uncoated aluminium					length: 1.00 m	length: 2.50 m
Colour	Dim. a	Dim. c min.	Dim. c max.	Packaging	EAN/Item no.	EAN/Item no.
A uncoated	23.5 mm	1.5 mm	2.0 mm	loose	4001116278402	4001116278419
A uncoated	29.5 mm	1.5 mm	2.0 mm	loose	4001116278501	4001116278518
A uncoated	35.5 mm	1.5 mm	2.0 mm	loose	4001116278600	4001116278617
A uncoated	41.2 mm	1.5 mm	2.0 mm	loose	4001116278709	4001116278716
A uncoated	46.9 mm	1.5 mm	2.0 mm	loose	4001116278808	4001116278815

### Angle, unequal-sided



ALU



Min. OU: 5 pcs.

Uncoated aluminium					length: 1.00 m	length: 2.50 m	
Colour	Dim. a	Dim. b	Dim. c min.	Dim. c max.	Packaging	EAN/Item no.	EAN/Item no.
A uncoated	43.5 mm	23.5 mm	1.5 mm	2.0 mm	loose	4001116278907	4001116278914
A uncoated	53.6 mm	29.5 mm	1.5 mm	2.0 mm	loose	4001116279003	4001116279010
A uncoated	65.6 mm	35.5 mm	1.5 mm	2.0 mm	loose	4001116279102	4001116279119



# combitech<sup>®</sup> system | Sheets, plates and accessories

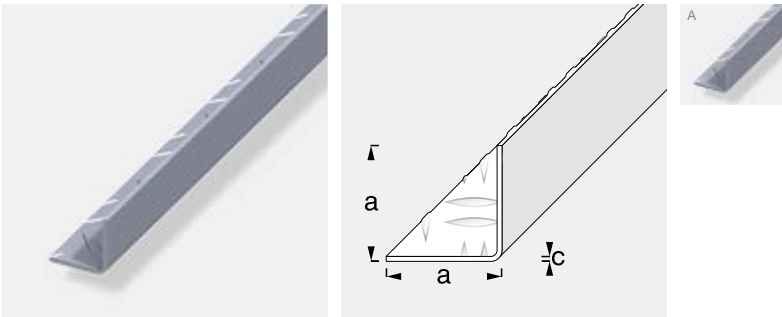
## Checker plate profiles

Angle, inside, equal-sided

ALU



Min. OU: 5 pcs.




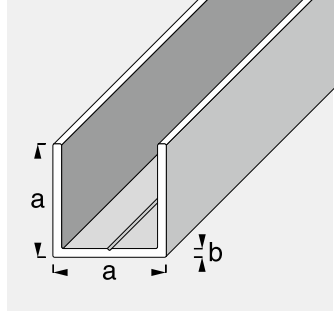

Uncoated aluminium					length: 1.00 m	length: 2.50 m
Colour	Dim. a	Dim. c min.	Dim. c max.	Packaging	EAN / Item no.	EAN / Item no.
A uncoated	23.5 mm	1.5 mm	2.0 mm	loose	4001116278457	4001116278464
A uncoated	29.5 mm	1.5 mm	2.0 mm	loose	4001116278556	4001116278563




# combitech<sup>®</sup> system | Sheets, plates and accessories

## Checker plate profiles | Accessories

**Square U** ALU


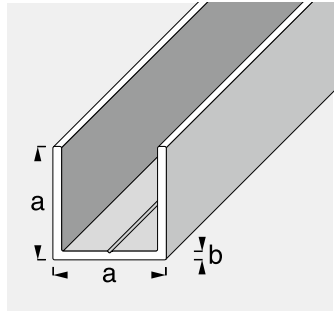




Min. OU: 5 pcs.

- When combined with the sealing profile, you can use this profile as an edge profile
- Item no. 30450 for profile size a = 7.5 mm
- Item no. 30451 for profile size a = 11.5 mm

Uncoated aluminium				length: 1.00 m	length: 2.50 m
Colour	Dim. a	Dim. b	Packaging	EAN/Item no.	EAN/Item no.
A uncoated	7.5 mm	1.0 mm	loose	4001116254024	4001116254222
A uncoated	11.5 mm	1.5 mm	loose	4001116254048	4001116254246

**Square U** PVC


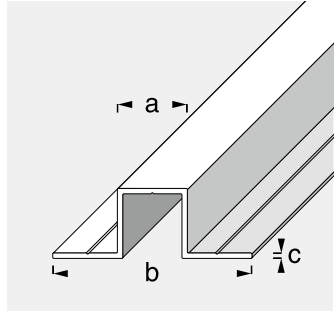




Min. OU: 5 pcs.

- When combined with the sealing profile, you can use this profile as an edge profile
- Item no. 30450 for profile size a = 7.5 mm
- Item no. 30451 for profile size a = 11.5 mm

Plastic (hard PVC)				length: 1.00 m	length: 2.50 m
Colour	Dim. a	Dim. b	Packaging	EAN/Item no.	EAN/Item no.
A white	7.5 mm	1.0 mm	loose	4001116214424	4001116214622
A white	11.5 mm	1.5 mm	loose	4001116214448	4001116214646

**Square U, 2 branches 180°** ALU



Min. OU: 5 pcs.

- When combined with the sealing profile, you can use this profile as an edge profile
- Item no. 30450 for profile size a = 7.5 mm
- Item no. 30451 for profile size a = 11.5 mm

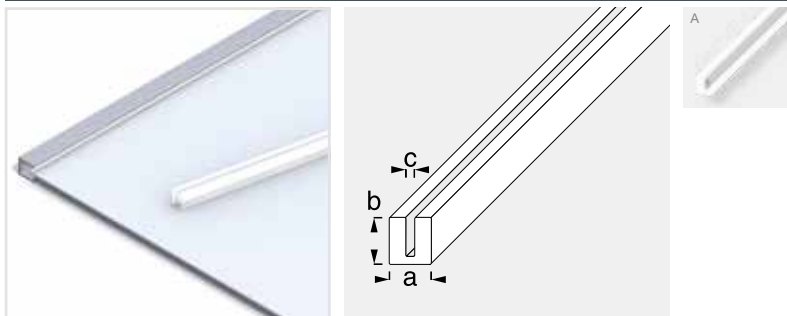
Uncoated aluminium					length: 1.00 m	length: 2.50 m
Colour	Dim. a	Dim. b	Dim. c	Packaging	EAN/Item no.	EAN/Item no.
A uncoated	7.5 mm	20.5 mm	1.0 mm	loose	4001116259623	4001116259821
A uncoated	11.5 mm	31.5 mm	1.5 mm	loose	4001116259647	4001116259845

Hardware catalogue | 97002 | 01 2017 | 71708

# combitech<sup>®</sup> system | Sheets, plates and accessories

## Checker plate profiles | Accessories

### Sealing profile



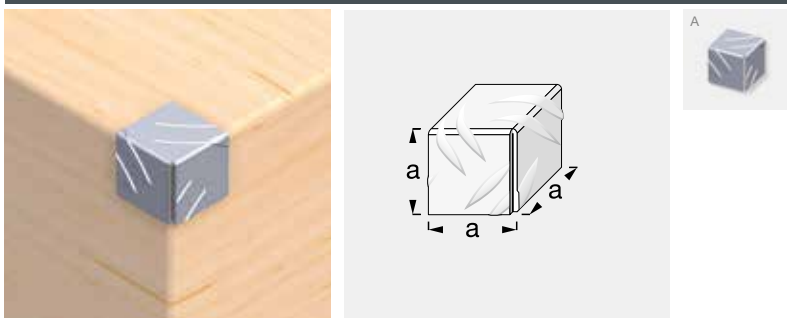
EVA



Min. OU: 5 pcs.

Plastic (EVA)						length: 2.50 m
Colour	Dim. a	Dim. b	Dim. c	Packaging	EAN / Item no.	
A transparent	5.0mm	6.0mm	1.8mm	SS box	4001116304507	
A transparent	8.5mm	9.5mm	1.8mm	SS box	4001116304514	

### Case corner



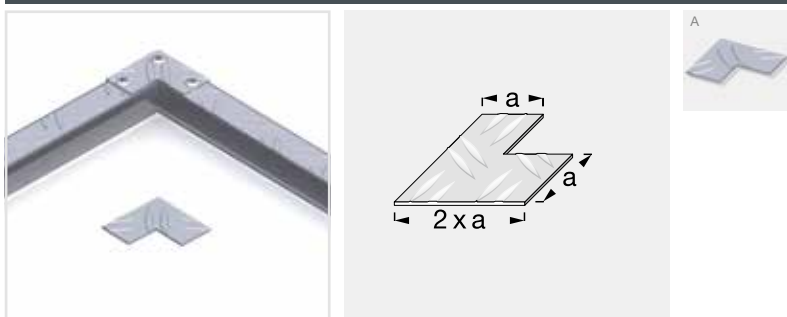
ALU



Min. OU: 5 pcs.

Uncoated aluminium						
Colour	Dim. a	Thickness min.	Thickness max.	PU	Packaging	EAN / Item no.
A uncoated	23.5 mm	1.5 mm	2.0 mm	4 pieces	SS box	4001116304002
A uncoated	29.5 mm	1.5 mm	2.0 mm	4 pieces	SS box	4001116304019
A uncoated	35.5 mm	1.5 mm	2.0 mm	4 pieces	SS box	4001116304026
A uncoated	41.2 mm	1.5 mm	2.0 mm	4 pieces	SS box	4001116304033
A uncoated	46.9 mm	1.5 mm	2.0 mm	4 pieces	SS box	4001116304040

### Gusset



ALU



Min. OU: 5 pcs.

Uncoated aluminium						
Colour	Dim. a	Thickness min.	Thickness max.	PU	Packaging	EAN / Item no.
A uncoated	23.5 mm	1.5 mm	2.0 mm	4 pieces	SS box	4001116304705
A uncoated	29.5 mm	1.5 mm	2.0 mm	4 pieces	SS box	4001116304712







**combitech® system | logika®**





## combitech<sup>®</sup> system | logika<sup>®</sup>

### Range overview

#### Keep things neat and tidy

##### Steel or aluminium profiles

Drilling is a thing of the past! The consistently perforated **logika**<sup>®</sup> system profiles save you time and reduce your amount of work. All four profile sizes come with even hole spacing of 25 mm or 12.5 mm and can therefore be precisely joined. This provides optimal guidance when cutting profiles to length or screwing them together and also ensures that your finished structures are completely straight and stable. Furthermore, thanks to the universal hole spacing, all four available profile sizes can be combined with one another. A further advantage of **logika**<sup>®</sup>: thanks to the hole spacing, all of the profiles can be optimally combined with standard furniture systems.

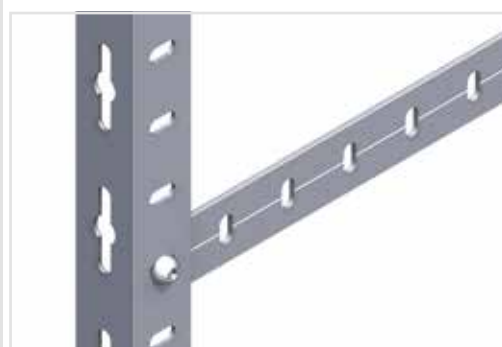
**logika**<sup>®</sup> is a particularly ideal partner for customised storage solutions: whether for staggered shelf units under stairs or sloping roofs or sophisticated corner solutions, with **logika**<sup>®</sup> every last inch of space can be transformed into a practical storage space. This enables you to make the most of any situation no matter how much space is available. What's more, thanks to their modern appearance, **logika**<sup>®</sup> system profiles also look simply great, even for designer furniture.

##### logika<sup>®</sup> profile accessories

By choosing the appropriate screw set from the **logika**<sup>®</sup> accessories range, you can perfectly screw together all profiles. Plastic shelf unit feet can be easily slotted into the profiles to protect the floor against unsightly scratches. The universal deburrer enables you to effortlessly remove all sharp cutting edges left by saws.

##### Tip:

All **logika**<sup>®</sup> profiles are based on the standard dimensions of our **combitech**<sup>®</sup> system. This means that you can also use all **combitech**<sup>®</sup> standard accessories for your designs. End caps, gussets, connection sleeves etc. – benefit from the broad range of **combitech**<sup>®</sup> accessories and combine them to your heart's desire. All products and full information can be found in our hardware catalogue.



# combitech<sup>®</sup> system | logika<sup>®</sup>

## Range overview

### System profiles | Aluminium

4.05–4.08



- Angle, equal-sided, slotted
- Angle, unequal-sided, slotted
- Flat bar, slotted
- Square tube, slotted
- T-profile, slotted
- U-profile, slotted

ALU

ALX

### System profiles | Steel, galvanized and coated

4.09–4.11



- Angle, equal-sided, slotted
- Angle, unequal-sided, slotted
- Flat bar, slotted
- U-profile, slotted

STA

### System accessories

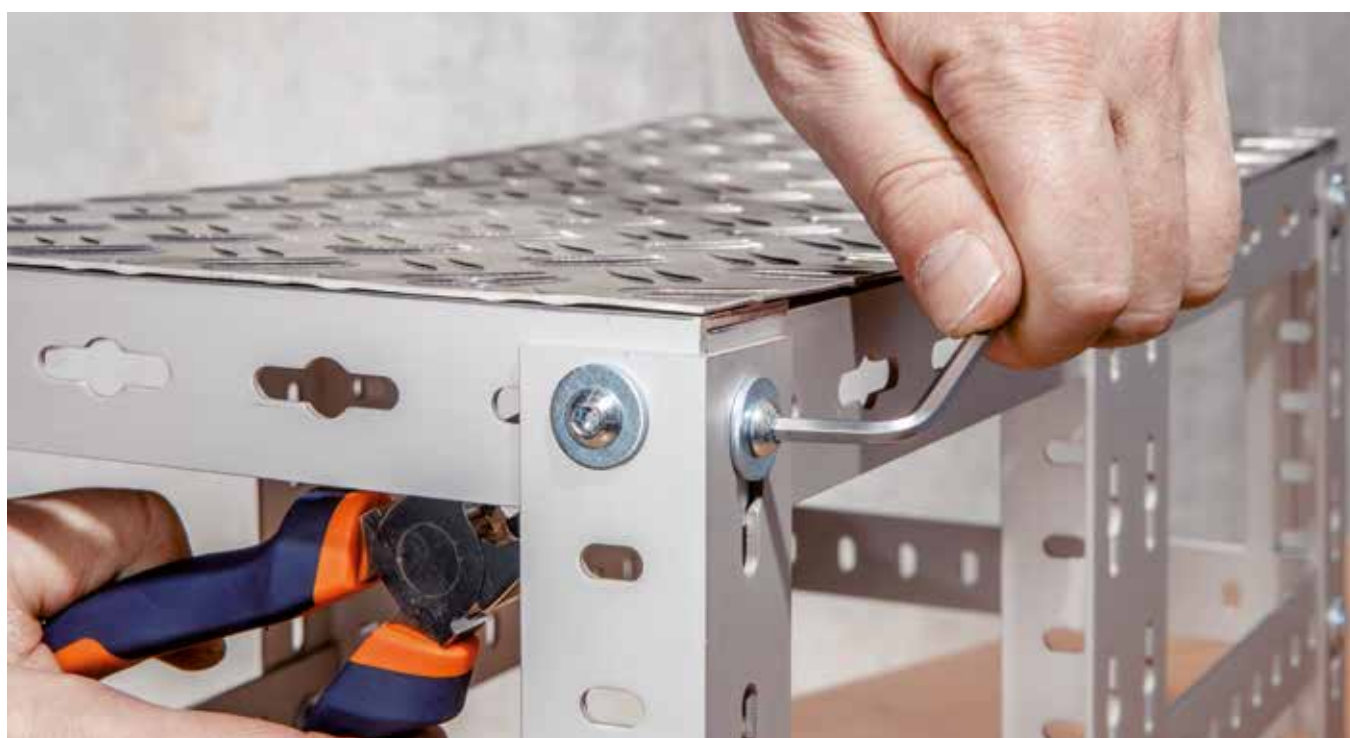
4.12–4.13



- Cylinder head screw set
- Oval-headed screw set
- Shelf unit foot
- Universal deburrer

STA

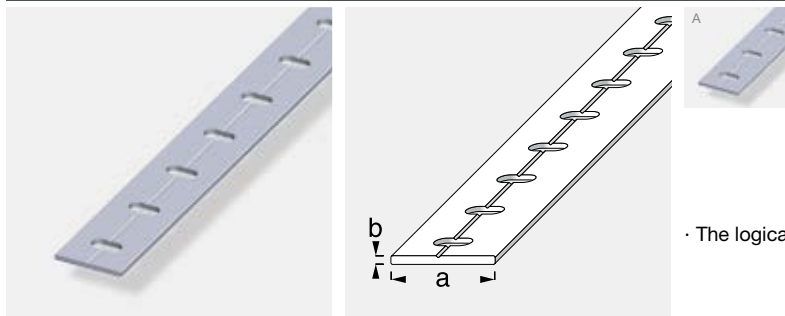
PA



# combitech<sup>®</sup> system | logika<sup>®</sup>

## System profiles | Aluminium

### Flat bar, slotted



· The logically perforated profile range

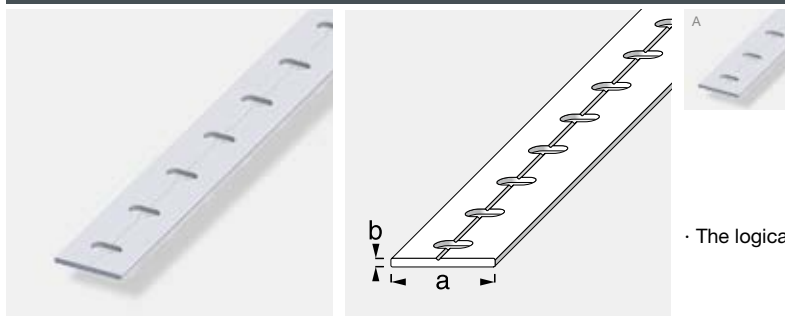
ALU



Min. OU: 5 pcs.

Uncoated aluminium				length: 1.00 m	length: 2.00 m	length: 2.50 m
Colour	Dim. a	Dim. b	Packaging	EAN / Item no.	EAN / Item no.	EAN / Item no.
A uncoated	23.5mm	2.0mm	loose	4001116230134	4001116230639	4001116231131
A uncoated	35.5mm	3.0mm	loose	4001116230035	4001116230530	4001116231032

### Flat bar, slotted



· The logically perforated profile range

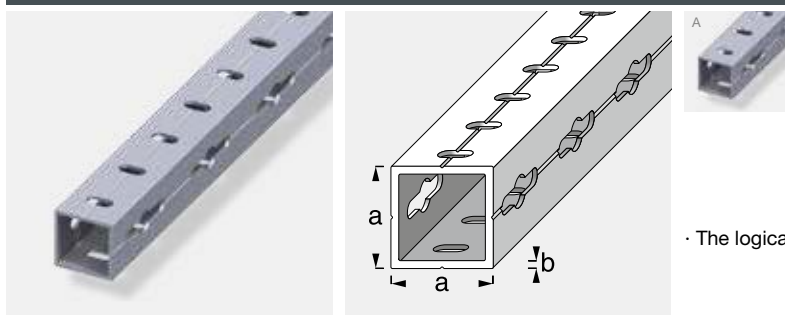
ALX



Min. OU: 5 pcs.

Anodized aluminium				length: 1.00 m	length: 2.50 m
Colour	Dim. a	Dim. b	Packaging	EAN / Item no.	EAN / Item no.
A silver	23.5 mm	2.0mm	loose	4001116231636	4001116232633
A silver	35.5 mm	3.0mm	loose	4001116231537	4001116232534

### Square tube, slotted



· The logically perforated profile range

ALU



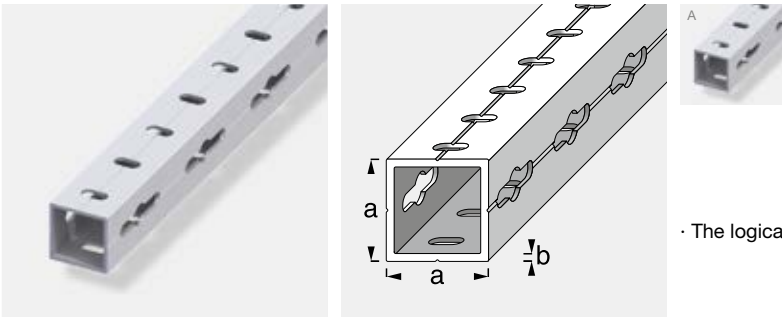
Min. OU: 5 pcs.

Uncoated aluminium				length: 1.00 m	length: 2.00 m	length: 2.50 m
Colour	Dim. a	Dim. b	Packaging	EAN / Item no.	EAN / Item no.	EAN / Item no.
A uncoated	23.5mm	1.5mm	loose	4001116230165	4001116230660	4001116231162
A uncoated	35.5mm	2.4mm	loose	4001116230066	4001116230561	4001116231063

**combitech<sup>®</sup> system | logika<sup>®</sup>**  
System profiles | Aluminium

**Square tube, slotted**

ALX



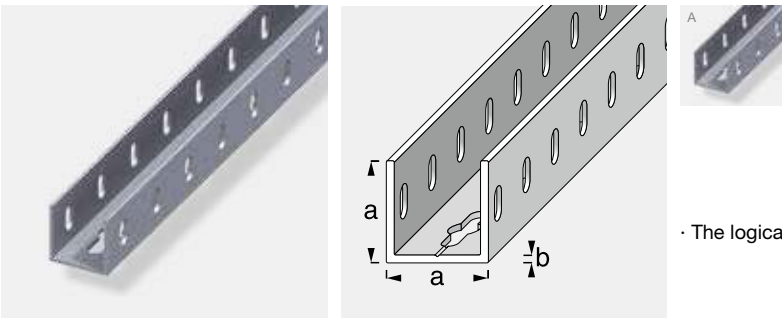
Min. OU: 5 pcs.

· The logically perforated profile range

Anodized aluminium				length: 1.00 m	length: 2.50 m
Colour	Dim. a	Dim. b	Packaging	EAN / Item no.	EAN / Item no.
A silver	23.5 mm	1.5 mm	loose	4001116231667	4001116232664
A silver	35.5 mm	2.4 mm	loose	4001116231568	4001116232565

**U-profile, slotted**

ALU



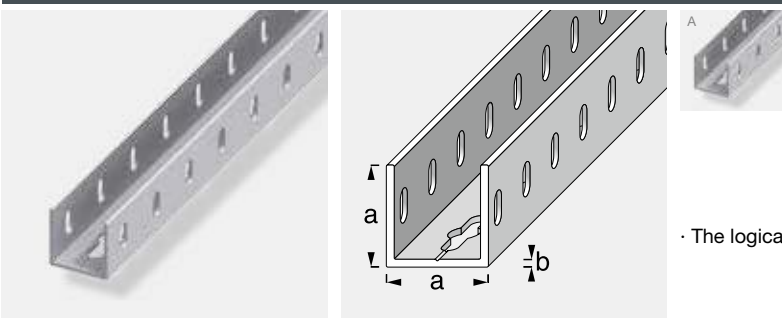
Min. OU: 5 pcs.

· The logically perforated profile range

Uncoated aluminium				length: 1.00 m	length: 2.00 m	length: 2.50 m
Colour	Dim. a	Dim. b	Packaging	EAN / Item no.	EAN / Item no.	EAN / Item no.
A uncoated	35.5 mm	2.4 mm	loose	4001116230042	4001116230547	4001116231049

**U-profile, slotted**

ALX



Min. OU: 5 pcs.

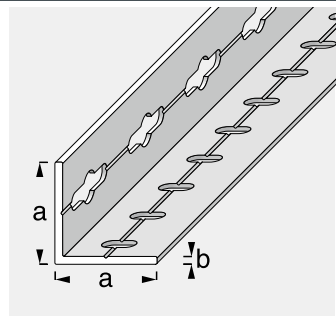
· The logically perforated profile range

Anodized aluminium				length: 1.00 m	length: 2.50 m
Colour	Dim. a	Dim. b	Packaging	EAN / Item no.	EAN / Item no.
A silver	35.5 mm	2.4 mm	loose	4001116231544	4001116232541

# combitech<sup>®</sup> system | logika<sup>®</sup>

## System profiles | Aluminium

### Angle, equal-sided, slotted



ALU

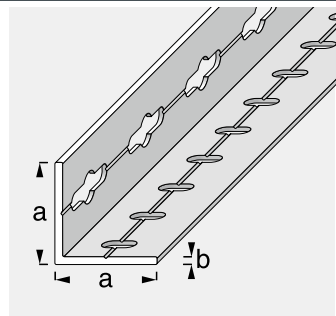


Min. OU: 5 pcs.

· The logically perforated profile range

Uncoated aluminium				length: 1.00 m	length: 2.00 m	length: 2.50 m
Colour	Dim. a	Dim. b	Packaging	EAN / Item no.	EAN / Item no.	EAN / Item no.
A uncoated	7.5mm	1.0mm	loose	400111623031 8		
A uncoated	15.5mm	1.5mm	loose	400111623021 9		
A uncoated	23.5mm	1.5mm	loose	400111623011 0	400111623061 5	400111623111 7
A uncoated	35.5mm	2.4mm	loose	400111623001 1	400111623051 6	400111623101 8

### Angle, equal-sided, slotted



ALX

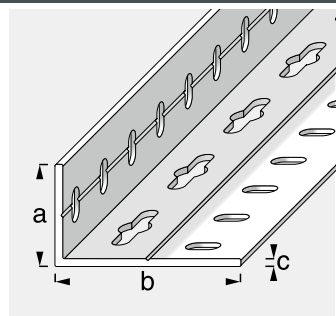


Min. OU: 5 pcs.

· The logically perforated profile range

Anodized aluminium				length: 1.00 m	length: 2.00 m	length: 2.50 m
Colour	Dim. a	Dim. b	Packaging	EAN / Item no.	EAN / Item no.	EAN / Item no.
A silver	7.5mm	1.0mm	loose	400111623181 0		
A silver	15.5mm	1.5mm	loose	400111623171 1		
A silver	23.5mm	1.5mm	loose	400111623161 2	400111623211 4	400111623261 9
A silver	35.5mm	2.4mm	loose	400111623151 3	400111623201 5	400111623251 0
B titanium	7.5mm	1.0mm	loose	400111623331 9		
B titanium	15.5mm	1.5mm	loose	400111623321 0		

### Angle, unequal-sided, slotted



ALU



Min. OU: 5 pcs.

· The logically perforated profile range

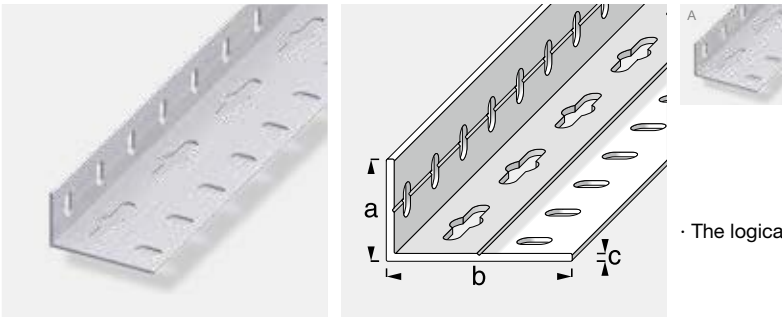
Uncoated aluminium				length: 1.00 m	length: 2.00 m	length: 2.50 m	
Colour	Dim. a	Dim. b	Dim. c	Packaging	EAN / Item no.	EAN / Item no.	
A uncoated	23.5 mm	43.5 mm	1.5 mm	loose	400111623012 7	400111623062 2	400111623112 4
A uncoated	35.5 mm	65.6 mm	2.4 mm	loose	400111623002 8	400111623052 3	400111623102 5



**combitech**<sup>®</sup> system | **logika**<sup>®</sup>  
System profiles | Aluminium

**Angle, unequal-sided, slotted**

ALX



Min. OU: 5 pcs.

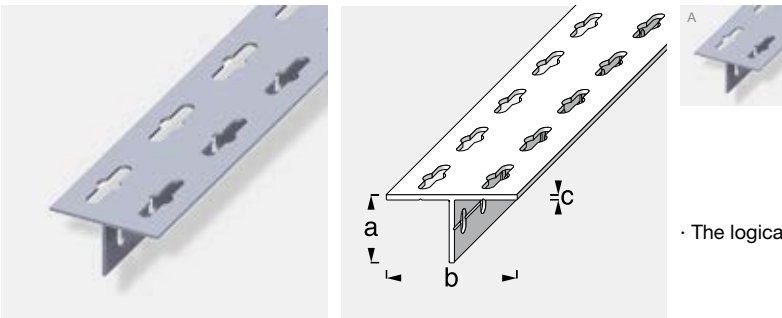
· The logically perforated profile range

**Anodized aluminium**

Colour	Dim. a	Dim. b	Dim. c	Packaging	length: 1.00 m EAN / Item no.	length: 2.50 m EAN / Item no.
A silver	23.5 mm	43.5 mm	1.5 mm	loose	4001116231629	4001116232626
A silver	35.5 mm	65.6 mm	2.4 mm	loose	4001116231520	4001116232527

**T-profile, slotted**

ALU



Min. OU: 5 pcs.

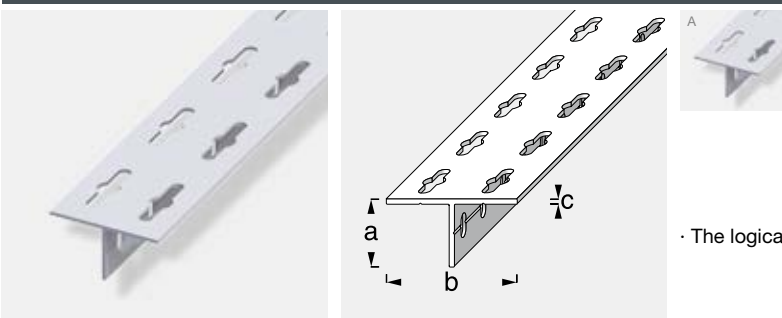
· The logically perforated profile range

**Uncoated aluminium**

Colour	Dim. a	Dim. b	Dim. c	Packaging	length: 1.00 m EAN / Item no.	length: 2.00 m EAN / Item no.	length: 2.50 m EAN / Item no.
A uncoated	35.5 mm	68.6 mm	2.4 mm	loose	4001116230059	4001116230554	4001116231056

**T-profile, slotted**

ALX



Min. OU: 5 pcs.

· The logically perforated profile range

**Anodized aluminium**

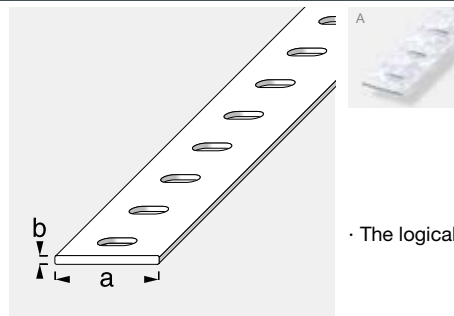
Colour	Dim. a	Dim. b	Dim. c	Packaging	length: 1.00 m EAN / Item no.	length: 2.50 m EAN / Item no.
A silver	35.5 mm	68.6 mm	2.4 mm	loose	4001116231551	4001116232558

# combitech<sup>®</sup> system | logika<sup>®</sup>

## System profiles | Steel, galvanized and coated

### Flat bar, slotted

STA



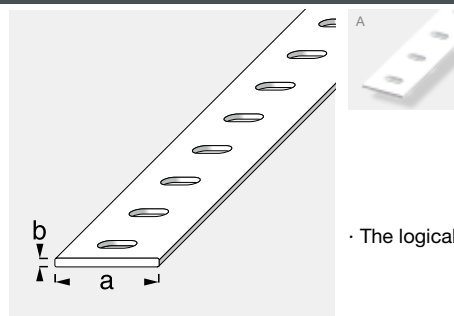
Min. OU: 5 pcs.

· The logically perforated profile range

Galvanized steel				length: 1.00 m	length: 2.00 m	length: 2.50 m
Colour	Dim. a	Dim. b	Packaging	EAN / Item no.	EAN / Item no.	EAN / Item no.
A galvanized	23.5 mm	1.2 mm	loose	4001116390135	4001116390630	4001116391132
A galvanized	35.5 mm	1.5 mm	loose	4001116390036	4001116390531	4001116391033

### Flat bar, slotted

STA



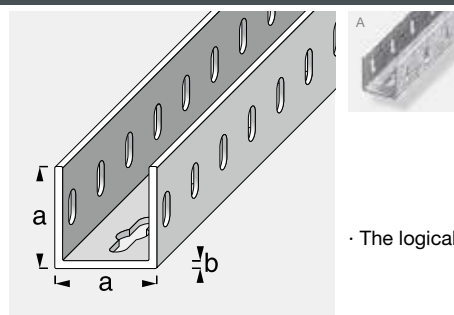
Min. OU: 5 pcs.

· The logically perforated profile range

Galvanized steel, coated				length: 1.00 m	length: 2.00 m	length: 2.50 m
Colour	Dim. a	Dim. b	Packaging	EAN / Item no.	EAN / Item no.	EAN / Item no.
A white	23.5 mm	1.2 mm	loose	4001116391637	4001116392139	4001116392634
A white	35.5 mm	1.5 mm	loose	4001116391538	4001116392030	4001116392535

### U-profile, slotted

STA



Min. OU: 5 pcs.

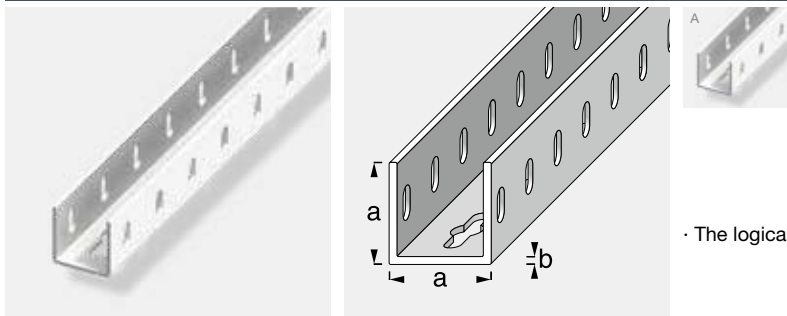
· The logically perforated profile range

Galvanized steel				length: 1.00 m	length: 2.00 m	length: 2.50 m
Colour	Dim. a	Dim. b	Packaging	EAN / Item no.	EAN / Item no.	EAN / Item no.
A galvanized	35.5 mm	1.5 mm	loose	4001116390043	4001116390548	4001116391040

# combitech<sup>®</sup> system | logika<sup>®</sup>

## System profiles | Steel, galvanized and coated

### U-profile, slotted



STA

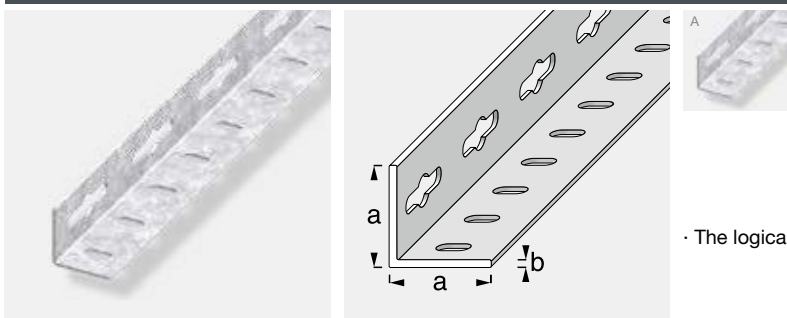


Min. OU: 5 pcs.

· The logically perforated profile range

Galvanized steel, coated				length: 1.00 m	length: 2.00 m	length: 2.50 m
Colour	Dim. a	Dim. b	Packaging	EAN/Item no.	EAN/Item no.	EAN/Item no.
A white	35.5 mm	1.5 mm	loose	4001116391545	4001116392047	4001116392542

### Angle, equal-sided, slotted



STA

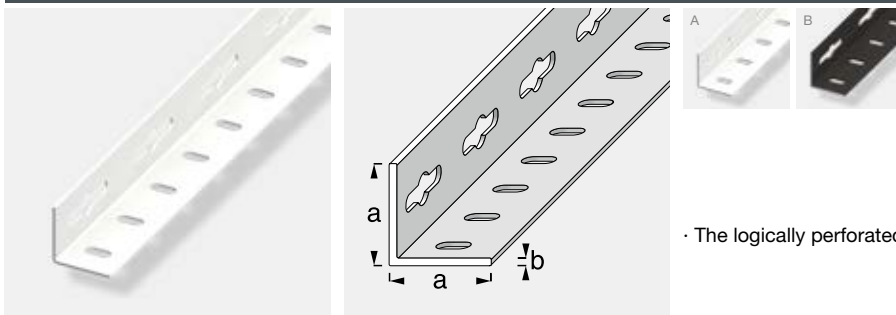


Min. OU: 5 pcs.

· The logically perforated profile range

Galvanized steel				length: 1.00 m	length: 2.00 m	length: 2.50 m
Colour	Dim. a	Dim. b	Packaging	EAN/Item no.	EAN/Item no.	EAN/Item no.
A galvanized	7.5 mm	0.6 mm	loose	4001116390319		
A galvanized	15.5 mm	0.75 mm	loose	4001116390210		
A galvanized	23.5 mm	1.2 mm	loose	4001116390111	4001116390616	4001116391118
A galvanized	35.5 mm	1.5 mm	loose	4001116390012	4001116390517	4001116391019

### Angle, equal-sided, slotted



STA



Min. OU: 5 pcs.

· The logically perforated profile range

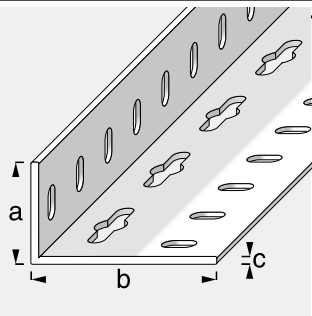
Galvanized steel, coated				length: 1.00 m	length: 2.00 m	length: 2.50 m
Colour	Dim. a	Dim. b	Packaging	EAN/Item no.	EAN/Item no.	EAN/Item no.
A white	7.5 mm	0.6 mm	loose	4001116391811		
A white	15.5 mm	0.75 mm	loose	4001116391712		
A white	23.5 mm	1.2 mm	loose	4001116391613	4001116392115	4001116392610
A white	35.5 mm	1.5 mm	loose	4001116391514	4001116392016	4001116392511
B black	35.5 mm	1.5 mm	loose	4001116393013	4001116393518	

# combitech<sup>®</sup> system | logika<sup>®</sup>

## System profiles | Steel, galvanized and coated

### Angle, unequal-sided, slotted

STA



· The logically perforated profile range

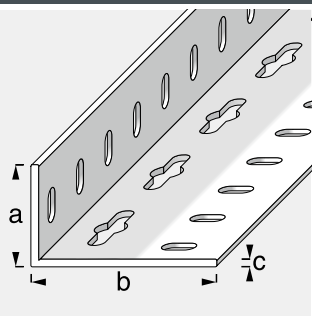


Min. OU: 5 pcs.

Galvanized steel					length: 1.00 m	length: 2.00 m	length: 2.50 m
Colour	Dim. a	Dim. b	Dim. c	Packaging	EAN / Item no.	EAN / Item no.	EAN / Item no.
A galvanized	23.5 mm	43.5 mm	1.2 mm	loose	4001116390128	4001116390623	4001116391125
A galvanized	35.5 mm	65.6 mm	1.5 mm	loose	4001116390029	4001116390524	4001116391026

### Angle, unequal-sided, slotted

STA



· The logically perforated profile range



Min. OU: 5 pcs.

Galvanized steel, coated					length: 1.00 m	length: 2.00 m	length: 2.50 m
Colour	Dim. a	Dim. b	Dim. c	Packaging	EAN / Item no.	EAN / Item no.	EAN / Item no.
A white	23.5 mm	43.5 mm	1.2 mm	loose	4001116391620	4001116392122	4001116392627
A white	35.5 mm	65.6 mm	1.5 mm	loose	4001116391521	4001116392023	4001116392528

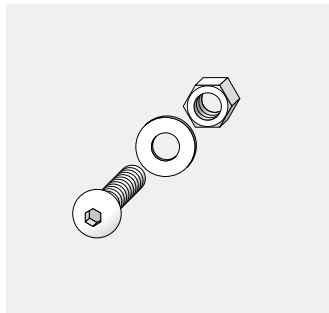


# combitech<sup>®</sup> system | logika<sup>®</sup>

## System accessories

### Oval-headed screw set

STA



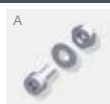
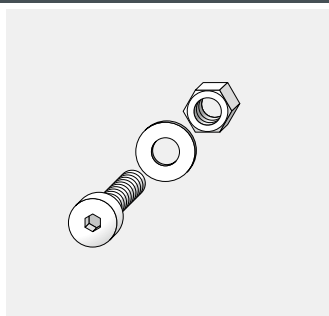
Min. OU: 5 pcs.

#### Galvanized steel

Colour	Screw size	Length	PU	Packaging	EAN / Item no.
A galvanized	M5	12.0 mm	20 pieces	each, SS box	4001116394829
A galvanized	M5	35.0 mm	5 pieces	each, SS box	4001116394836
A galvanized	M5	55.0 mm	5 pieces	each, SS box	4001116394843
A galvanized	M6	16.0 mm	20 pieces	each, SS box	4001116394850
A galvanized	M6	50.0 mm	5 pieces	each, SS box	4001116394867
A galvanized	M6	80.0 mm	5 pieces	each, SS box	4001116394874

### Cylinder head screw set

STA



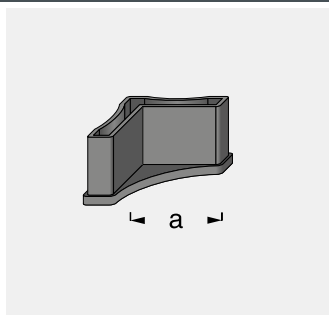
Min. OU: 5 pcs.

#### Galvanized steel

Colour	Screw size	Length	PU	Packaging	EAN / Item no.
A galvanized	M2	5.0 mm	20 pieces	each, SS box	4001116394805
A galvanized	M3	8.0 mm	20 pieces	each, SS box	4001116394812

### Shelf unit foot

PA



Min. OU: 5 pcs.

· For all even-branched **combitech** system profile brackets with dimension a = 23.5 mm or 35.5 mm

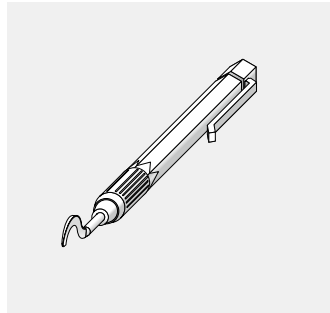
#### Plastic (PA)

Colour	Dim. a	PU	Packaging	EAN / Item no.
A black	23.5 mm	2 pieces	SS box	4001116394904
A black	35.5 mm	2 pieces	SS box	4001116394911



**combitech<sup>®</sup> system | logika<sup>®</sup>**  
System accessories

Universal deburrer



Min. OU: 5 pcs.

- Deburred edges prevent injuries
- Makes it easier to insert the connect connectors

Colour	Packaging	EAN / Item no.
A blue	SS box	4001116286612





**combitech**<sup>®</sup> system | **logika**<sup>®</sup>









# Profiles for DIY and professional purposes



# Profiles for DIY and professional purposes

## Range overview

**Needs-oriented solutions: Standard profiles made from aluminium, brass and plastic**

In order to provide suitable products for all imaginable projects, **alfer**<sup>®</sup> offers you an impressive range of profiles for DIY and professional purposes in various different materials. These materials have different mechanical properties, different surfaces, weights and costs. We provide the options – the choice is yours.

### Aluminium

Aluminium is an integral part of our modern lives and a material that we encounter almost everywhere. And this is no wonder: the versatile light alloy has an impressively low weight yet high material strength. It is rust-proof and 100% recyclable. Furthermore, it can be easily worked. Make use of the benefits and versatility offered by this fascinating material – with the unique **alfer**<sup>®</sup> aluminium range.

### Uncoated aluminium

Our standard profiles made from uncoated aluminium have a thicker profile cross-section than those made from anodised aluminium. They are also larger on the whole. Over time, the surfaces become mottled. This is a natural process, which does not affect the material strength or stability.

### Anodised aluminium

Our anodised aluminium standard profiles come with a refined and protective finish. This prevents the material from tarnishing as well as from changing as a result of damp or other environmental influences. The anodised profiles are available in silver, brass and, to a certain extent, bronze, as well as with a chrome or stainless steel look.

### Solid brass

Our solid brass standard profiles are ideal for withstanding high mechanical loads. They are furthermore insensitive to almost all chemicals. Contact with the air causes a natural oxide layer (patina) to form. This can be easily removed with polish if desired.





# Profiles for DIY and professional purposes

## Range overview

### Plastic (hard PVC)

Our plastic standard profiles can be an attractive and lower cost alternative to our metal ones. They are suitable for numerous different uses subject to normal mechanical loads. The finish is not affected by moisture and the PVC profiles are also astonishingly resistant against many chemicals. The use of abrasive cleaning agents should, however, be avoided. Tip: please note that we also offer self-adhesive plastic profiles, which are particularly easy to use.

### Simple handling: Self-adhesive standard profiles made from aluminium and plastic

Say goodbye to drilling and screwing! Discover new heights of simplicity and experience our high-quality self-adhesive profiles made from aluminium or plastic. The profiles are extremely easy to use and suitable for the broadest range of uses where they are subject to low to medium mechanical loads. And because the work almost does itself, you have more time to enjoy the perfect results. Sound good? Sticks brilliantly!

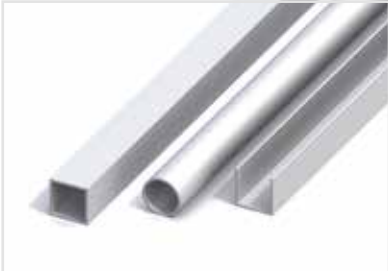
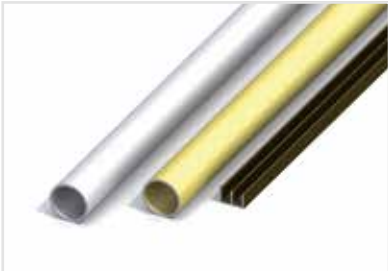



### Elegantly edged: Aluminium and plastic clamping profiles

Whether for building shelves, racks, partition walls, frames or as a form of edge protection – our universal clamping profiles from the clampline and clampsoft product series make it possible to cleanly and perfectly frame sheets of wood, plywood or glass. clampline profiles are made from anodised aluminium and have an impressively refined look. The practical clampsoft profiles are made from plastic and have pleasantly rounded edges. In other words: **alfer**<sup>®</sup> universal clamping profiles are as diverse as your home!



# Profiles for DIY and professional purposes

## Range overview

Standard profiles   Aluminium, uncoated		5.07–5.12
	<ul style="list-style-type: none"> <li>· Angle, equal-sided</li> <li>· Angle, unequal-sided</li> <li>· Edge protecting profile</li> <li>· Flat bar</li> <li>· Guide rail profile, assembly at the top</li> <li>· Guide rail profile, assembly below</li> <li>· Handle profile</li> <li>· Ladder step profile</li> <li>· Rectangular tube</li> <li>· Round bar</li> </ul>	<ul style="list-style-type: none"> <li>· Round tube</li> <li>· Square tube</li> <li>· T-profile</li> <li>· U-profile</li> </ul> <p>ALU</p>
Standard profiles   Anodized and powder-coated aluminium		5.13–5.21
	<ul style="list-style-type: none"> <li>· Angle, equal-sided</li> <li>· Angle, unequal-sided</li> <li>· Edge protecting profile</li> <li>· Edge protecting profile, round</li> <li>· Flat bar</li> <li>· Frame edging profile</li> <li>· Guide rail profile, assembly at the top</li> <li>· Guide rail profile, assembly below</li> <li>· H-profile</li> <li>· Handle profile</li> </ul>	<ul style="list-style-type: none"> <li>· Hinge profile for Ø 6.1 mm</li> <li>· Round bar</li> <li>· Round tube</li> <li>· Square bar</li> <li>· Square tube</li> <li>· T-profile</li> <li>· U-profile</li> </ul> <p>ALX ALP</p>
Standard profiles   Brass, solid		5.22–5.23
	<ul style="list-style-type: none"> <li>· Angle, equal-sided</li> <li>· Flat bar</li> <li>· Round bar</li> <li>· Round tube</li> <li>· Square bar</li> </ul>	MES
Standard profiles   Plastic		5.24–5.32
	<ul style="list-style-type: none"> <li>· Angle, equal-sided</li> <li>· Angle, unequal-sided</li> <li>· Corner bar</li> <li>· Edge profile, one-sided</li> <li>· Edge profile, two-sided</li> <li>· Edge protecting profile, round</li> <li>· Flat bar</li> <li>· Frame profile</li> <li>· Guide rail profile, assembly at the top</li> <li>· Guide rail profile, assembly below</li> </ul>	<ul style="list-style-type: none"> <li>· Quarter circle corner bar</li> <li>· U-profile</li> </ul> <p>PET PVC</p>
Standard profiles   Aluminium and plastic, self-adhesive		5.33–5.35
	<ul style="list-style-type: none"> <li>· Bracket, equal-sided, self-adhesive</li> <li>· Combi-bracket, equal-sided, self-adhesive</li> <li>· Corner bar, self-adhesive</li> <li>· Quarter circle corner bar, self-adhesive</li> </ul>	<p>ALX ALP PET PVC</p>

## Profiles for DIY and professional purposes

### Range overview

#### clampline clamping profiles | Aluminium

5.36–5.38



- clampline angle profile
- clampline corner profile
- clampline H-profile
- clampline hinge profile
- clampline T-profile
- clampline U-profile

ALX

#### clampssoft clamping profiles | Plastic

5.39–5.41



- clampssoft angle profile
- clampssoft corner for angle profile
- clampssoft corner for corner profile
- clampssoft corner for U-profile
- clampssoft corner profile
- clampssoft U-profile

PVC

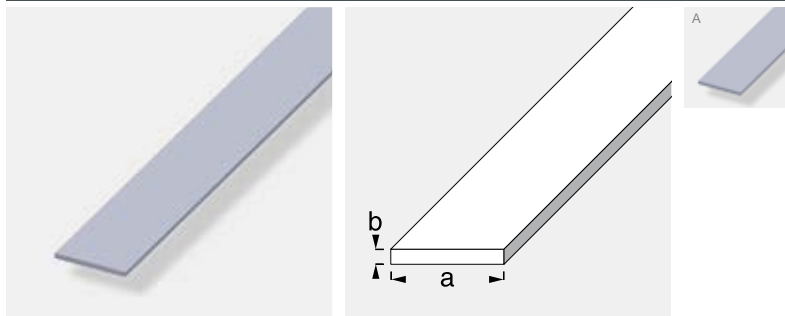
PA



# Profiles for DIY and professional purposes

## Standard profiles | Aluminium, uncoated

### Flat bar



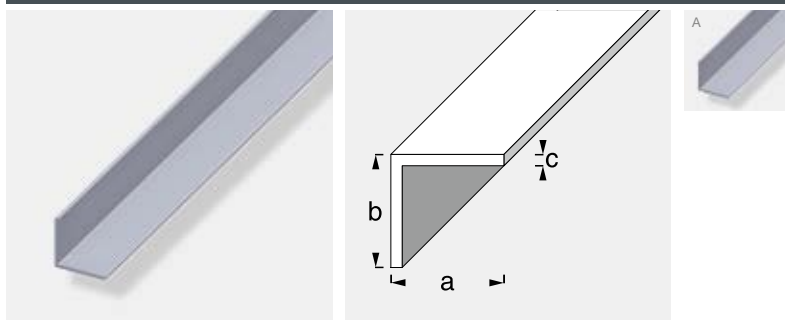
ALU



Min. OU: 5 pcs.

Uncoated aluminium				length: 1.00 m	length: 2.00 m	length: 2.50 m
Colour	Dim. a	Dim. b	Packaging	EAN / Item no.	EAN / Item no.	EAN / Item no.
A uncoated	15.0mm	2.0mm	loose	4001116000133		4001116042133
A uncoated	20.0mm	2.0mm	loose	4001116000102	4001116040108	4001116042102
A uncoated	25.0mm	2.0mm	loose	4001116000126	4001116040122	4001116042126
A uncoated	30.0mm	2.0mm	loose	4001116000140	4001116040146	4001116042140
A uncoated	40.0mm	3.0mm	loose		4001116040153	4001116042157
A uncoated	50.0mm	3.0mm	loose		4001116040160	4001116042164
A uncoated	60.0mm	3.0mm	loose		4001116040177	4001116042171

### Angle, equal-sided



ALU



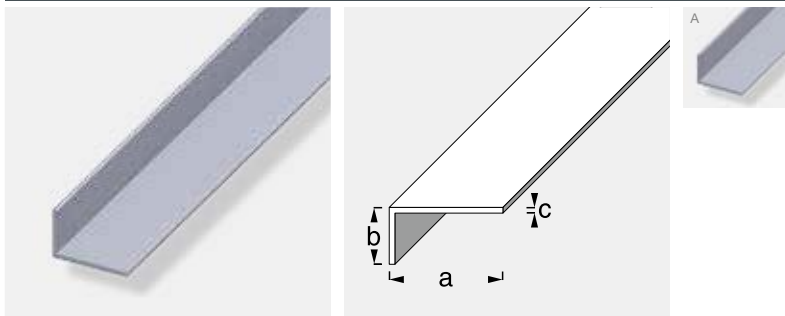
Min. OU: 5 pcs.

Uncoated aluminium				length: 1.00 m	length: 2.00 m	length: 2.50 m
Colour	Dim. a	Dim. b	Dim. c	Packaging	EAN / Item no.	EAN / Item no.
A uncoated	10.0mm	10.0mm	1.0mm	loose	4001116000409	4001116042409
A uncoated	15.0mm	15.0mm	1.0mm	loose	4001116000416	4001116042416
A uncoated	20.0mm	20.0mm	1.0mm	loose	4001116002427	4001116042423
A uncoated	20.0mm	20.0mm	1.5mm	loose	4001116000423	4001116040429
A uncoated	25.0mm	25.0mm	1.0mm	loose	4001116002434	4001116042430
A uncoated	25.0mm	25.0mm	1.5mm	loose		4001116040436
A uncoated	30.0mm	30.0mm	1.0mm	loose	4001116002441	4001116042447
A uncoated	30.0mm	30.0mm	2.0mm	loose		4001116040443
A uncoated	40.0mm	40.0mm	2.0mm	loose	4001116000454	4001116040450
A uncoated	50.0mm	50.0mm	4.0mm	loose		4001116040467
A uncoated	60.0mm	60.0mm	4.0mm	loose		4001116040474
A uncoated	80.0mm	80.0mm	4.0mm	loose		4001116040481

# Profiles for DIY and professional purposes

## Standard profiles | Aluminium, uncoated

### Angle, unequal-sided



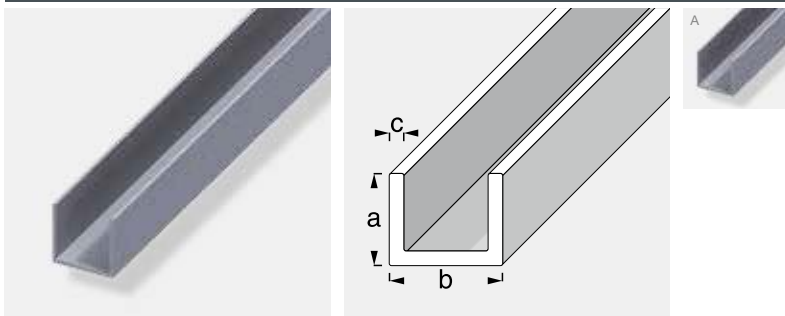
ALU



Min. OU: 5 pcs.

Uncoated aluminium					length: 1.00 m	length: 2.00 m	length: 2.50 m
Colour	Dim. a	Dim. b	Dim. c	Packaging	EAN/Item no.	EAN/Item no.	EAN/Item no.
A uncoated	20.0mm	10.0mm	1.0mm	loose	4001116002502		4001116042508
A uncoated	25.0mm	20.0mm	1.0mm	loose	4001116002519		4001116042515
A uncoated	25.0mm	20.0mm	1.5mm	loose		4001116040511	
A uncoated	30.0mm	20.0mm	2.0mm	loose	4001116000522	4001116040528	4001116042522
A uncoated	35.0mm	20.0mm	1.5mm	loose	4001116000546		
A uncoated	35.0mm	20.0mm	2.0mm	loose		4001116040542	4001116042546
A uncoated	40.0mm	15.0mm	1.5mm	loose	4001116000539	4001116040535	4001116042539
A uncoated	50.0mm	30.0mm	2.0mm	loose	4001116000553		
A uncoated	50.0mm	30.0mm	3.0mm	loose		4001116040559	4001116042553
A uncoated	60.0mm	25.0mm	2.5mm	loose		4001116040566	4001116042560

### U-profile



ALU



Min. OU: 5 pcs.

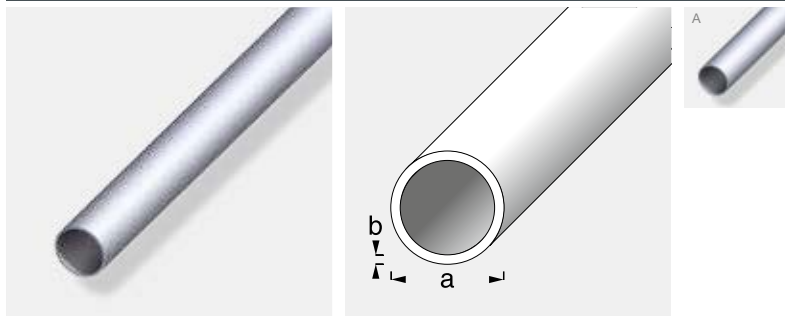
Uncoated aluminium					length: 1.00 m	length: 2.00 m	length: 2.50 m
Colour	Dim. a	Dim. b	Dim. c	Packaging	EAN/Item no.	EAN/Item no.	EAN/Item no.
A uncoated	8.2mm	10.1mm	1.5mm	loose	4001116000652		
A uncoated	10.0mm	11.5mm	1.5mm	loose	4001116000607		
A uncoated	10.0mm	13.5mm	1.5mm	loose	4001116000614		
A uncoated	10.0mm	16.5mm	1.5mm	loose	4001116000621		
A uncoated	10.0mm	19.5mm	1.5mm	loose	4001116000638		
A uncoated	10.0mm	22.5mm	1.5mm	loose	4001116000645		
A uncoated	20.0mm	20.0mm	1.5mm	loose	4001116000669	4001116040665	4001116042669
A uncoated	20.0mm	30.0mm	2.0mm	loose	4001116000683	4001116040689	4001116042683
A uncoated	25.0mm	25.0mm	1.5mm	loose	4001116000676	4001116040672	4001116042676
A uncoated	40.0mm	86.0mm	3.0mm	loose		4001116041358	4001116043352
A uncoated	55.0mm	65.0mm	4.0mm	loose		4001116040696	4001116042690



# Profiles for DIY and professional purposes

## Standard profiles | Aluminium, uncoated

### Round tube



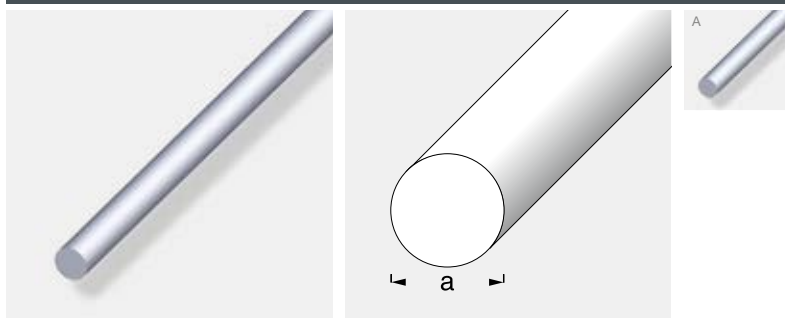
ALU



Min. OU: 5 pcs.

Uncoated aluminium				length: 1.00 m	length: 2.00 m	length: 2.50 m
Colour	Dim. a	Dim. b	Packaging	EAN / Item no.	EAN / Item no.	EAN / Item no.
A uncoated	6.0mm	1.0mm	loose	400111600020 1		
A uncoated	8.0mm	1.0mm	loose	400111600021 8		400111604221 8
A uncoated	10.0mm	1.0mm	loose	400111600022 5		400111604222 5
A uncoated	12.0mm	1.0mm	loose	400111600023 2		400111604223 2
A uncoated	16.0mm	1.0mm	loose	400111600024 9		
A uncoated	20.0mm	1.0mm	loose	400111600026 3	400111604026 9	400111604226 3
A uncoated	25.0mm	1.0mm	loose	400111600025 6		400111604225 6
A uncoated	25.0mm	1.5mm	loose		400111604025 2	
A uncoated	30.0mm	1.0mm	loose	400111600027 0		400111604227 0
A uncoated	30.0mm	2.0mm	loose		400111604027 6	
A uncoated	43.0mm	1.0mm	loose			400111604228 7
A uncoated	43.0mm	1.7mm	loose		400111604028 3	
A uncoated	50.0mm	1.0mm	loose			400111604229 4
A uncoated	50.0mm	2.5mm	loose		400111604029 0	

### Round bar



ALU



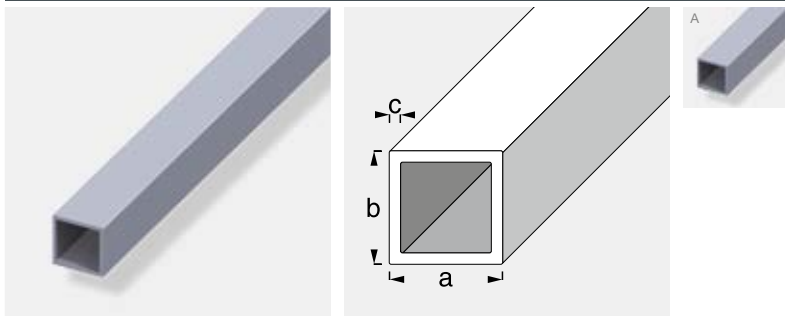
Min. OU: 5 pcs.

Uncoated aluminium				length: 1.00 m	length: 2.00 m	length: 2.50 m
Colour	Dim. a		Packaging	EAN / Item no.	EAN / Item no.	EAN / Item no.
A uncoated	4.0mm		loose	400111600033 1		
A uncoated	6.0mm		loose	400111600034 8		
A uncoated	8.0mm		loose	400111600030 0		
A uncoated	10.0mm		loose	400111600031 7	400111604031 3	400111604231 7
A uncoated	12.0mm		loose	400111600032 4	400111604032 0	400111604232 4

# Profiles for DIY and professional purposes

## Standard profiles | Aluminium, uncoated

### Square tube



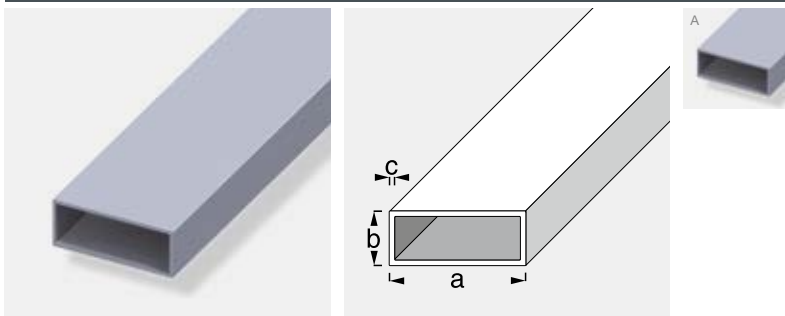
ALU



Min. OU: 5 pcs.

Uncoated aluminium					length: 1.00 m	length: 2.00 m	length: 2.50 m
Colour	Dim. a	Dim. b	Dim. c	Packaging	EAN/Item no.	EAN/Item no.	EAN/Item no.
A uncoated	10.0mm	10.0mm	1.0mm	loose			4001116042720
A uncoated	10.0mm	10.0mm	1.5mm	loose	4001116000720		
A uncoated	15.0mm	15.0mm	1.0mm	loose			4001116042737
A uncoated	15.0mm	15.0mm	1.5mm	loose	4001116000737		
A uncoated	20.0mm	20.0mm	1.0mm	loose	4001116002700		4001116042706
A uncoated	20.0mm	20.0mm	1.5mm	loose	4001116000706	4001116040702	
A uncoated	25.0mm	25.0mm	1.5mm	loose	4001116000713	4001116040719	4001116042713
A uncoated	30.0mm	30.0mm	2.0mm	loose		4001116040740	4001116042744
A uncoated	40.0mm	40.0mm	2.0mm	loose	4001116000751	4001116040757	4001116042751
A uncoated	50.0mm	50.0mm	2.0mm	loose		4001116040764	4001116042768

### Rectangular tube



ALU



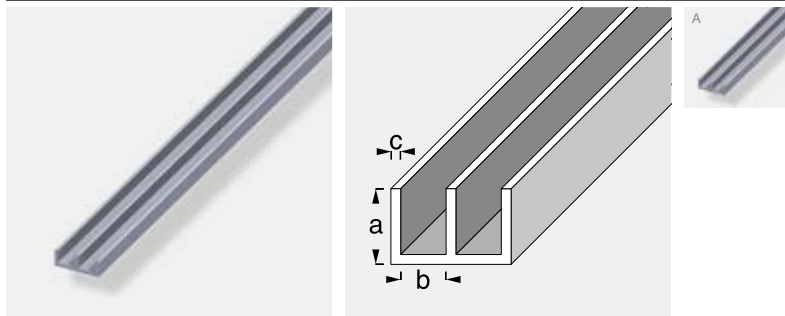
Min. OU: 5 pcs.

Uncoated aluminium					length: 1.00 m	length: 2.00 m	length: 2.50 m
Colour	Dim. a	Dim. b	Dim. c	Packaging	EAN/Item no.	EAN/Item no.	EAN/Item no.
A uncoated	50.0mm	20.0mm	1.5mm	loose		4001116044328	4001116043321
A uncoated	60.0mm	25.0mm	1.5mm	loose		4001116044281	4001116043284
A uncoated	60.0mm	25.0mm	2.0mm	loose	4001116004285		
A uncoated	80.0mm	40.0mm	4.0mm	loose		4001116044335	4001116043338

# Profiles for DIY and professional purposes

## Standard profiles | Aluminium, uncoated

### Guide rail profile, assembly below



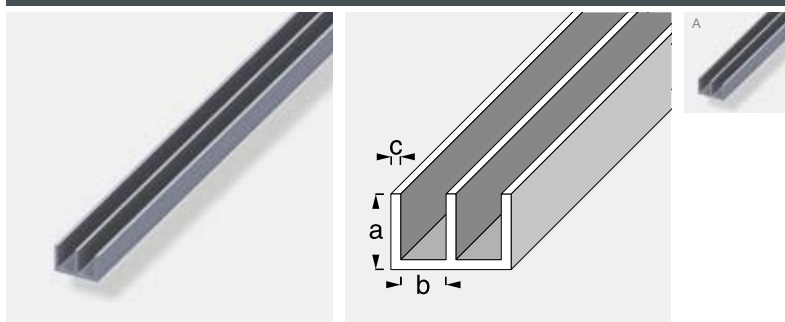
ALU



Min. OU: 5 pcs.

Uncoated aluminium					length: 1.00 m	length: 2.00 m	length: 2.50 m
Colour	Dim. a	Dim. b	Dim. c	Packaging	EAN / Item no.	EAN / Item no.	EAN / Item no.
A uncoated	6.0 mm	6.0 mm	1.3 mm	loose	4001116001406	4001116041402	4001116043406

### Guide rail profile, assembly at the top



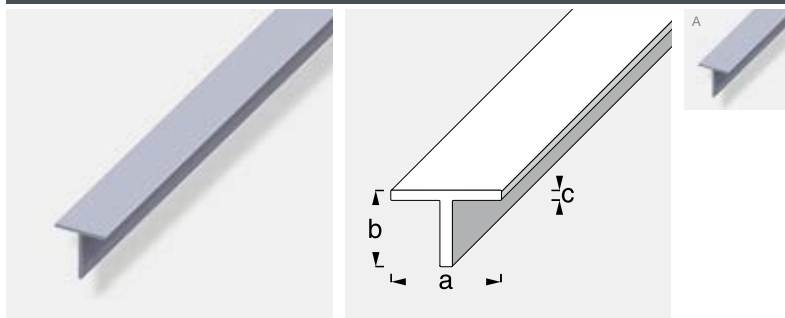
ALU



Min. OU: 5 pcs.

Uncoated aluminium					length: 1.00 m	length: 2.00 m	length: 2.50 m
Colour	Dim. a	Dim. b	Dim. c	Packaging	EAN / Item no.	EAN / Item no.	EAN / Item no.
A uncoated	10.0 mm	6.0 mm	1.3 mm	loose	4001116001390	4001116041396	4001116043390

### T-profile



ALU



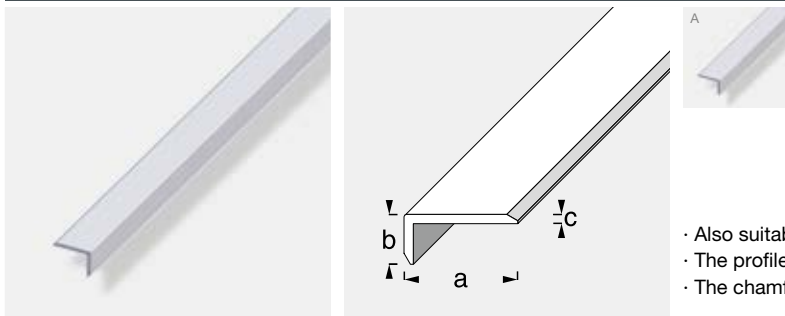
Min. OU: 5 pcs.

Uncoated aluminium					length: 1.00 m	length: 2.00 m	length: 2.50 m
Colour	Dim. a	Dim. b	Dim. c	Packaging	EAN / Item no.	EAN / Item no.	EAN / Item no.
A uncoated	15.0 mm	15.0 mm	1.5 mm	loose	4001116000904		
A uncoated	20.0 mm	20.0 mm	1.5 mm	loose	4001116000911	4001116040917	4001116042911
A uncoated	30.0 mm	30.0 mm	2.0 mm	loose	4001116000928	4001116040924	
A uncoated	40.0 mm	40.0 mm	3.0 mm	loose		4001116040931	4001116042935

# Profiles for DIY and professional purposes

## Standard profiles | Aluminium, uncoated

### Edge protecting profile



- Also suitable for furniture
- The profile can be screwed or glued on
- The chamfered edges ensure a smooth and uniform transition

ALU

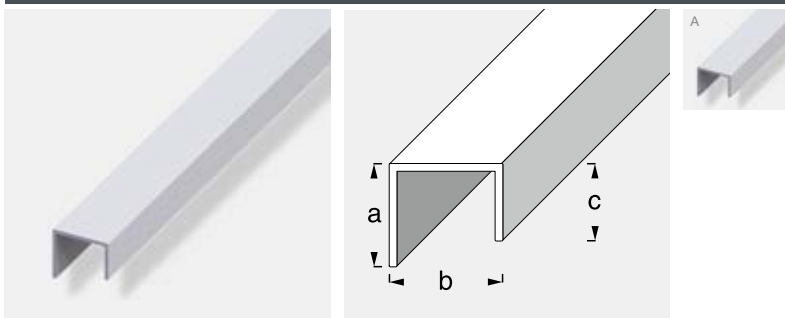


Min. OU: 5 pcs.

#### Uncoated aluminium

Colour	Dim. a	Dim. b	Dim. c	Packaging	length: 1.00 m EAN / Item no.
A uncoated	14.0 mm	10.0 mm	2.5 mm	loose	400111600402 5
A uncoated	19.0 mm	8.0 mm	2.5 mm	loose	400111600401 8

### Handle profile



ALU

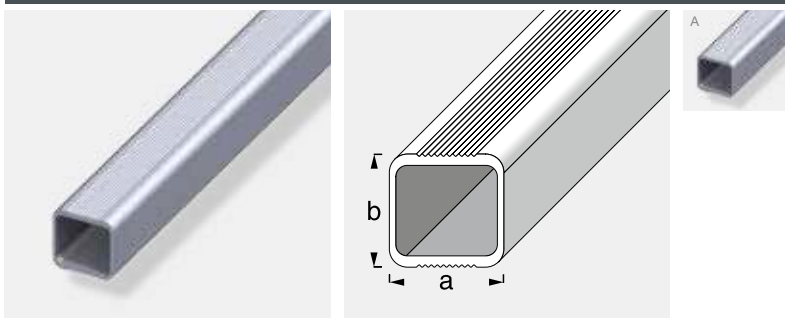


Min. OU: 5 pcs.

#### Uncoated aluminium

Colour	Dim. a	Dim. b	Dim. c	Thickness	Packaging	length: 1.00 m EAN / Item no.
A uncoated	13.0 mm	40.0 mm	10.0 mm	1.5 mm	loose	400111600405 6

### Ladder step profile



ALU



Min. OU: 5 pcs.

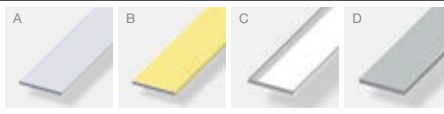
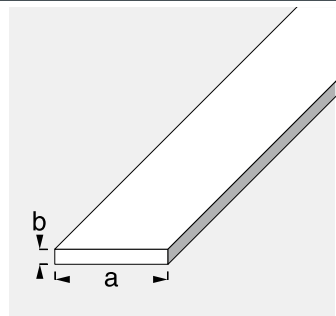
#### Uncoated aluminium

Colour	Dim. a	Dim. b	Packaging	length: 1.00 m EAN / Item no.	length: 2.00 m EAN / Item no.	length: 2.50 m EAN / Item no.
A uncoated	25.0 mm	25.0 mm	loose	400111600431 5	400111604431 1	400111604331 4

# Profiles for DIY and professional purposes

## Standard profiles | Anodized and powder-coated aluminium

### Flat bar



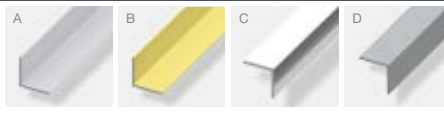
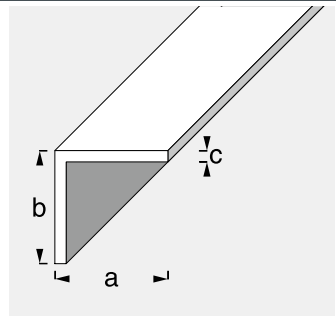
ALX



Min. OU: 5 pcs.

Anodized aluminium				length: 1.00 m	length: 2.00 m	length: 2.50 m
Colour	Dim. a	Dim. b	Packaging	EAN/Item no.	EAN/Item no.	EAN/Item no.
A silver	15.0 mm	2.0 mm	loose	4001116010132	4001116050138	4001116082139
A silver	20.0 mm	2.0 mm	loose	4001116010101	4001116050107	4001116082108
A silver	20.0 mm	5.0 mm	loose	4001116010118	4001116050114	4001116082115
A silver	25.0 mm	2.0 mm	loose	4001116010125	4001116050121	4001116082122
A silver	30.0 mm	2.0 mm	loose	4001116010149	4001116050145	4001116082146
A silver	40.0 mm	3.0 mm	loose	4001116010156	4001116050152	4001116082153
A silver	50.0 mm	3.0 mm	loose	4001116010163	4001116050169	4001116082160
A silver	60.0 mm	3.0 mm	loose	4001116010170	4001116050176	4001116082177
B brass	15.0 mm	2.0 mm	loose	4001116020131		
B brass	20.0 mm	2.0 mm	loose	4001116020100		
B brass	25.0 mm	2.0 mm	loose	4001116020124		
C chrome look	15.0 mm	2.0 mm	loose	4001116012136		4001116052132
C chrome look	20.0 mm	2.0 mm	loose	4001116012105		4001116052101
C chrome look	25.0 mm	2.0 mm	loose	4001116012129		4001116052125
C chrome look	30.0 mm	2.0 mm	loose	4001116012143		4001116052149
D stainless steel visual effect	15.0 mm	2.0 mm	loose	4001116022135		4001116062131
D stainless steel visual effect	20.0 mm	2.0 mm	loose	4001116022104		4001116062100
D stainless steel visual effect	25.0 mm	2.0 mm	loose	4001116022128		4001116062124
D stainless steel visual effect	30.0 mm	2.0 mm	loose	4001116022142		4001116062148

### Angle, equal-sided



ALX



Min. OU: 5 pcs.

Anodized aluminium				length: 1.00 m	length: 2.00 m	length: 2.50 m	
Colour	Dim. a	Dim. b	Dim. c	Packaging	EAN/Item no.	EAN/Item no.	
A silver	10.0 mm	10.0 mm	1.0 mm	loose	4001116010408	4001116050404	4001116082405
A silver	15.0 mm	15.0 mm	1.0 mm	loose	4001116010415	4001116050411	4001116082412
A silver	20.0 mm	20.0 mm	1.0 mm	loose	4001116015427		4001116082429
A silver	20.0 mm	20.0 mm	1.5 mm	loose	4001116010422	4001116050428	
A silver	25.0 mm	25.0 mm	1.0 mm	loose	4001116015434		4001116082436
A silver	25.0 mm	25.0 mm	1.5 mm	loose	4001116010439	4001116050435	
A silver	30.0 mm	30.0 mm	1.0 mm	loose	4001116015441		4001116082443
A silver	30.0 mm	30.0 mm	2.0 mm	loose	4001116010446	4001116050442	
A silver	40.0 mm	40.0 mm	2.0 mm	loose	4001116010453	4001116050459	4001116082450





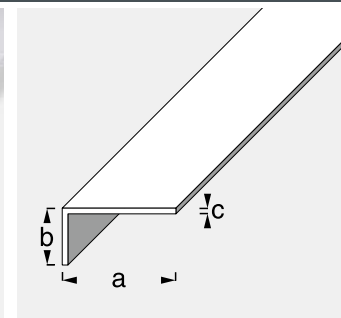
# Profiles for DIY and professional purposes

## Standard profiles | Anodized and powder-coated aluminium

Continued from the previous page

Anodized aluminium					length: 1.00 m	length: 2.00 m	length: 2.50 m
Colour	Dim. a	Dim. b	Dim. c	Packaging	EAN/Item no.	EAN/Item no.	EAN/Item no.
A silver	50.0mm	50.0mm	4.0mm	loose	4001116010460	4001116050466	
B brass	10.0mm	10.0mm	1.0mm	loose	4001116020407	4001116060403	4001116085406
B brass	15.0mm	15.0mm	1.0mm	loose	4001116020414	4001116060410	4001116085413
B brass	20.0mm	20.0mm	1.0mm	loose			4001116085420
B brass	20.0mm	20.0mm	1.5mm	loose	4001116020421	4001116060427	
B brass	25.0mm	25.0mm	1.0mm	loose			4001116085437
B brass	25.0mm	25.0mm	1.5mm	loose	4001116020438	4001116060434	
C chrome look	10.0mm	10.0mm	1.0mm	loose	4001116012402		4001116052408
C chrome look	15.0mm	15.0mm	1.0mm	loose	4001116012419		4001116052415
C chrome look	20.0mm	20.0mm	1.0mm	loose	4001116012426		
C chrome look	20.0mm	20.0mm	1.5mm	loose			4001116052422
C chrome look	25.0mm	25.0mm	1.0mm	loose	4001116012433		
C chrome look	25.0mm	25.0mm	1.5mm	loose			4001116052439
C chrome look	30.0mm	30.0mm	1.0mm	loose	4001116012440		
C chrome look	30.0mm	30.0mm	2.0mm	loose			4001116052446
D stainless steel visual effect	10.0mm	10.0mm	1.0mm	loose	4001116022401		4001116062407
D stainless steel visual effect	15.0mm	15.0mm	0.5mm	loose			4001116164705
D stainless steel visual effect	15.0mm	15.0mm	1.0mm	loose	4001116022418		4001116062414
D stainless steel visual effect	20.0mm	20.0mm	1.0mm	loose	4001116022425		
D stainless steel visual effect	20.0mm	20.0mm	1.5mm	loose			4001116062421
D stainless steel visual effect	25.0mm	25.0mm	1.0mm	loose	4001116022432		
D stainless steel visual effect	25.0mm	25.0mm	1.5mm	loose			4001116062438
D stainless steel visual effect	30.0mm	30.0mm	1.0mm	loose	4001116022449		
D stainless steel visual effect	30.0mm	30.0mm	2.0mm	loose			4001116062445

### Angle, unequal-sided



ALX



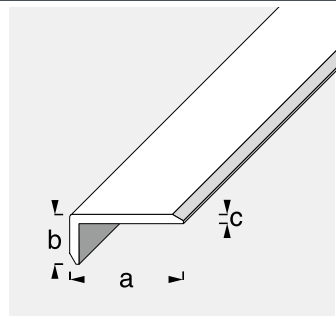
Min. OU: 5 pcs.

Anodized aluminium					length: 1.00 m	length: 2.00 m	length: 2.50 m
Colour	Dim. a	Dim. b	Dim. c	Packaging	EAN/Item no.	EAN/Item no.	EAN/Item no.
A silver	20.0mm	10.0mm	1.0mm	loose	4001116015502		4001116082504
A silver	20.0mm	10.0mm	1.5mm	loose	4001116010507	4001116050503	
A silver	25.0mm	20.0mm	1.0mm	loose	4001116015519		4001116082511
A silver	25.0mm	20.0mm	1.5mm	loose	4001116010514	4001116050510	
A silver	30.0mm	20.0mm	2.0mm	loose	4001116010521	4001116050527	4001116082528
A silver	35.0mm	20.0mm	2.0mm	loose	4001116010545	4001116050541	4001116082542
A silver	40.0mm	15.0mm	1.5mm	loose	4001116010538	4001116050534	4001116082535
A silver	50.0mm	30.0mm	3.0mm	loose	4001116010552	4001116050558	4001116082559
A silver	60.0mm	25.0mm	2.5mm	loose	4001116010569	4001116050565	4001116082566
B chrome look	20.0mm	10.0mm	1.0mm	loose	4001116012501		4001116052507
B chrome look	25.0mm	20.0mm	1.0mm	loose	4001116012518		4001116052514
C stainless steel visual effect	20.0mm	10.0mm	1.0mm	loose	4001116022500		4001116062506
C stainless steel visual effect	25.0mm	20.0mm	1.0mm	loose	4001116022517		4001116062513

# Profiles for DIY and professional purposes

## Standard profiles | Anodized and powder-coated aluminium

### Edge protecting profile



ALX

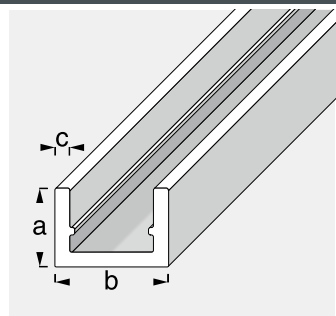


Min. OU: 5 pcs.

- Also suitable for furniture
- The profile can be screwed or glued on
- The chamfered edges ensure a smooth and uniform transition

Anodized aluminium					length: 1.00 m	length: 2.00 m	length: 2.50 m
Colour	Dim. a	Dim. b	Dim. c	Packaging	EAN / Item no.	EAN / Item no.	EAN / Item no.
A silver	14.0 mm	10.0 mm	1.5 mm	loose	4001116014024	4001116054020	4001116083525
A silver	19.0 mm	8.0 mm	1.6 mm	loose	4001116014017	4001116054013	4001116083518

### U-profile



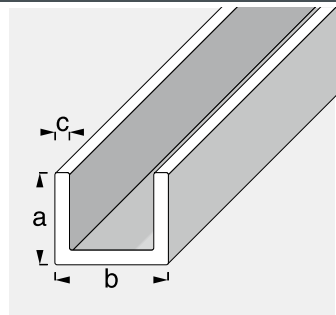
ALX



Min. OU: 5 pcs.

Anodized aluminium					length: 1.00 m	length: 2.00 m	length: 2.50 m
Colour	Dim. a	Dim. b	Dim. c	Packaging	EAN / Item no.	EAN / Item no.	EAN / Item no.
A silver	8.0 mm	10.1 mm	1.3 mm	loose			4001116082658
A silver	10.0 mm	11.5 mm	1.5 mm	loose	4001116010606	4001116050602	4001116082603
A silver	10.0 mm	13.5 mm	1.5 mm	loose	4001116010613	4001116050619	4001116082610
A silver	10.0 mm	16.5 mm	1.5 mm	loose	4001116010620	4001116050626	4001116082627
A silver	10.0 mm	19.5 mm	1.5 mm	loose	4001116010637	4001116050633	4001116082634
A silver	10.0 mm	22.5 mm	1.5 mm	loose	4001116010644	4001116050640	4001116082641

### U-profile



ALX



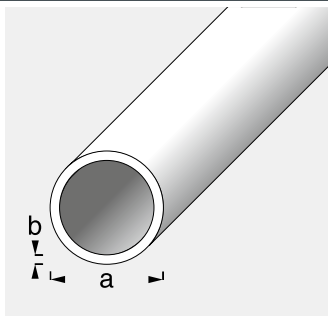
Min. OU: 5 pcs.

Anodized aluminium					length: 1.00 m	length: 2.00 m	length: 2.50 m
Colour	Dim. a	Dim. b	Dim. c	Packaging	EAN / Item no.	EAN / Item no.	EAN / Item no.
A silver	8.2 mm	10.1 mm	1.3 mm	loose	4001116010651	4001116050657	
A silver	20.0 mm	20.0 mm	1.5 mm	loose		4001116050664	4001116082665
A silver	25.0 mm	25.0 mm	1.5 mm	loose		4001116050671	4001116082672

# Profiles for DIY and professional purposes

## Standard profiles | Anodized and powder-coated aluminium

### Round tube



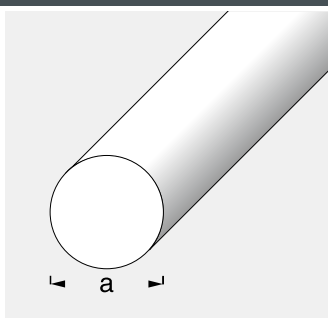
ALX



Min. OU: 5 pcs.

Anodized aluminium				length: 1.00 m	length: 2.00 m	length: 2.50 m
Colour	Dim. a	Dim. b	Packaging	EAN / Item no.	EAN / Item no.	EAN / Item no.
A silver	6.0 mm	1.0 mm	loose	4001116010200	4001116050206	4001116082207
A silver	8.0 mm	1.0 mm	loose	4001116010217	4001116050213	4001116082214
A silver	10.0 mm	1.0 mm	loose	4001116010224	4001116050220	4001116082221
A silver	12.0 mm	1.0 mm	loose	4001116010231	4001116050237	4001116082238
A silver	16.0 mm	1.0 mm	loose	4001116010248	4001116050244	4001116082245
A silver	20.0 mm	1.0 mm	loose	4001116010262	4001116050268	4001116082269
A silver	25.0 mm	1.5 mm	loose	4001116010255	4001116050251	4001116082252
A silver	30.0 mm	2.0 mm	loose		4001116050275	4001116082276
B brass	6.0 mm	1.0 mm	loose	4001116020209		
B brass	8.0 mm	1.0 mm	loose	4001116020216		
B brass	10.0 mm	1.0 mm	loose	4001116020223		
B brass	12.0 mm	1.0 mm	loose	4001116020230		
B brass	16.0 mm	1.0 mm	loose	4001116020247		
C chrome look	8.0 mm	1.0 mm	loose	4001116012211		4001116052217
C chrome look	10.0 mm	1.0 mm	loose	4001116012228		4001116052224
C chrome look	12.0 mm	1.0 mm	loose	4001116012235		4001116052231
D stainless steel visual effect	8.0 mm	1.0 mm	loose	4001116022210		4001116062216
D stainless steel visual effect	10.0 mm	1.0 mm	loose	4001116022227		4001116062223
D stainless steel visual effect	12.0 mm	1.0 mm	loose	4001116022234		4001116062230

### Round bar



ALX



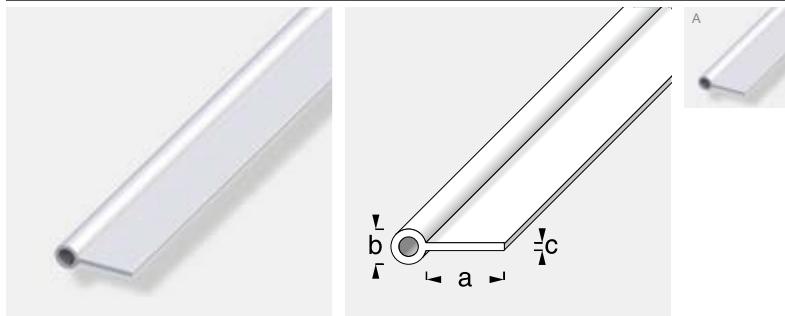
Min. OU: 5 pcs.

Anodized aluminium			length: 1.00 m	length: 2.00 m	length: 2.50 m
Colour	Dim. a	Packaging	EAN / Item no.	EAN / Item no.	EAN / Item no.
A silver	4.0 mm	loose	4001116010330	4001116050336	4001116082337
A silver	6.0 mm	loose	4001116010347	4001116050343	4001116082344
A silver	8.0 mm	loose	4001116010309	4001116050305	4001116082306
A silver	10.0 mm	loose	4001116010316	4001116050312	4001116082313
A silver	12.0 mm	loose	4001116010323	4001116050329	4001116082320

# Profiles for DIY and professional purposes

## Standard profiles | Anodized and powder-coated aluminium

### Hinge profile for Ø 6.1 mm



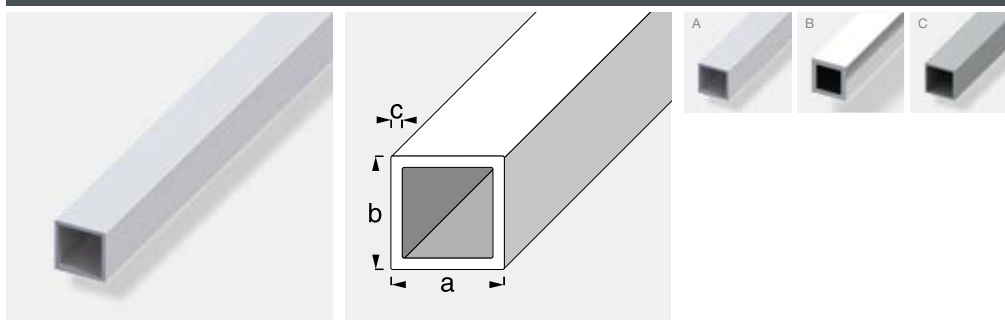
ALX



Min. OU: 5 pcs.

Anodized aluminium					length: 1.00 m	length: 2.00 m	length: 2.50 m
Colour	Dim. a	Dim. b	Dim. c	Packaging	EAN / Item no.	EAN / Item no.	EAN / Item no.
A silver	20.0mm	9.0mm	2.0mm	loose	4001116011108	4001116051104	4001116083105

### Square tube



ALX



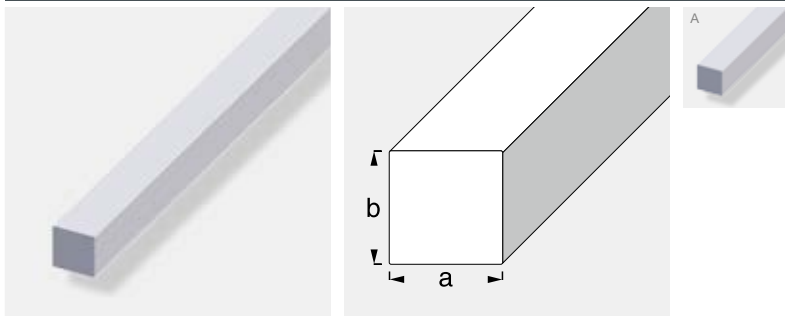
Min. OU: 5 pcs.

Anodized aluminium					length: 1.00 m	length: 2.00 m	length: 2.50 m
Colour	Dim. a	Dim. b	Dim. c	Packaging	EAN / Item no.	EAN / Item no.	EAN / Item no.
A silver	10.0mm	10.0mm	1.0mm	loose	4001116010729	4001116050725	4001116082726
A silver	15.0mm	15.0mm	1.0mm	loose	4001116010736	4001116050732	4001116082733
A silver	20.0mm	20.0mm	1.0mm	loose	4001116015700		4001116082702
A silver	20.0mm	20.0mm	1.5mm	loose	4001116010705	4001116050701	
A silver	25.0mm	25.0mm	1.5mm	loose	4001116010712	4001116050718	4001116082719
A silver	30.0mm	30.0mm	2.0mm	loose	4001116010743	4001116050749	4001116082740
B chrome look	10.0mm	10.0mm	1.0mm	loose	4001116012723		4001116052729
B chrome look	15.0mm	15.0mm	1.0mm	loose	4001116012730		4001116052736
B chrome look	20.0mm	20.0mm	1.0mm	loose	4001116012709		4001116052705
C stainless steel visual effect	10.0mm	10.0mm	1.0mm	loose	4001116022722		4001116062728
C stainless steel visual effect	15.0mm	15.0mm	1.0mm	loose	4001116022739		4001116062735
C stainless steel visual effect	20.0mm	20.0mm	1.0mm	loose	4001116022708		4001116062704

# Profiles for DIY and professional purposes

## Standard profiles | Anodized and powder-coated aluminium

### Square bar



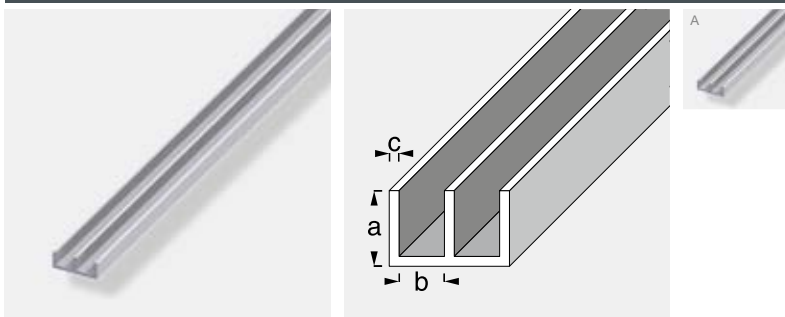
ALX



Min. OU: 5 pcs.

Anodized aluminium					length: 1.00 m	length: 2.00 m	length: 2.50 m
Colour	Dim. a	Dim. b	Packaging		EAN/Item no.	EAN/Item no.	EAN/Item no.
A silver	10.0mm	10.0mm	loose		4001116010804	4001116050800	4001116082801
A silver	12.0mm	12.0mm	loose		4001116010811	4001116050817	4001116082818
A silver	16.0mm	16.0mm	loose		4001116010828	4001116050824	4001116082825

### Guide rail profile, assembly below



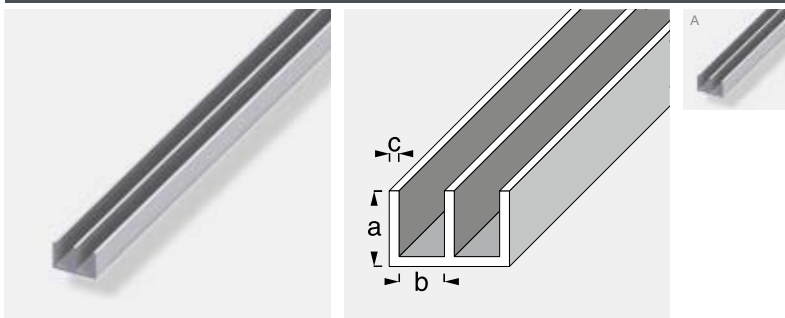
ALX



Min. OU: 5 pcs.

Anodized aluminium					length: 1.00 m	length: 2.00 m	length: 2.50 m
Colour	Dim. a	Dim. b	Dim. c	Packaging	EAN/Item no.	EAN/Item no.	EAN/Item no.
A silver	6.0mm	6.0mm	1.3mm	loose	4001116011405	4001116051401	4001116083402

### Guide rail profile, assembly at the top



ALX



Min. OU: 5 pcs.

Anodized aluminium					length: 1.00 m	length: 2.00 m	length: 2.50 m
Colour	Dim. a	Dim. b	Dim. c	Packaging	EAN/Item no.	EAN/Item no.	EAN/Item no.
A silver	10.0mm	6.0mm	1.3mm	loose	4001116011399	4001116051395	4001116083396

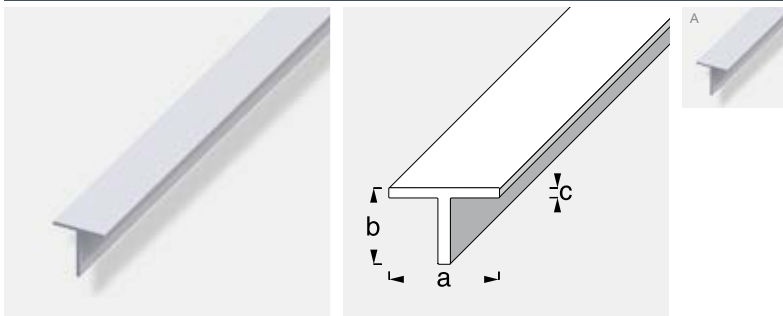


# Profiles for DIY and professional purposes

## Standard profiles | Anodized and powder-coated aluminium

### T-profile

ALX

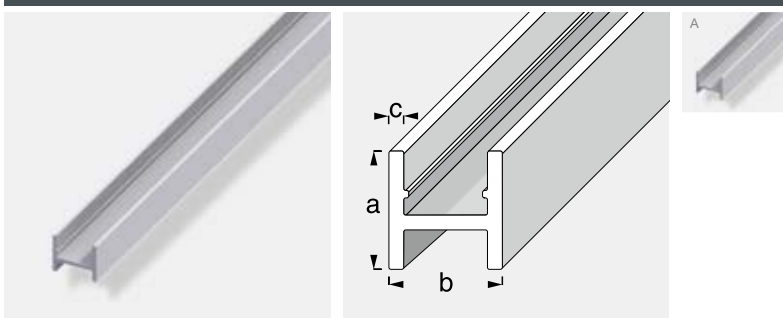


Min. OU: 5 pcs.

Anodized aluminium					length: 1.00 m	length: 2.00 m	length: 2.50 m
Colour	Dim. a	Dim. b	Dim. c	Packaging	EAN/Item no.	EAN/Item no.	EAN/Item no.
A silver	15.0 mm	15.0 mm	1.5 mm	loose	4001116010903	4001116050909	4001116082900
A silver	20.0 mm	20.0 mm	1.5 mm	loose	4001116010910	4001116050916	4001116082917
A silver	30.0 mm	30.0 mm	2.0 mm	loose		4001116050923	4001116082924

### H-profile

ALX

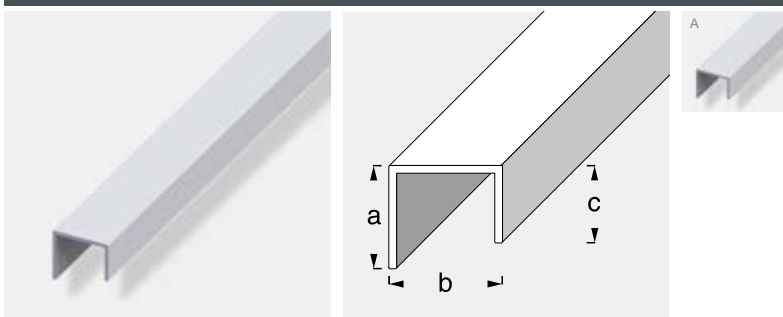


Min. OU: 5 pcs.

Anodized aluminium					length: 1.00 m	length: 2.00 m	length: 2.50 m
Colour	Dim. a	Dim. b	Dim. c	Packaging	EAN/Item no.	EAN/Item no.	EAN/Item no.
A silver	12.0 mm	11.5 mm	1.5 mm	loose	4001116011009	4001116051005	4001116083006
A silver	14.0 mm	13.5 mm	1.5 mm	loose	4001116011016	4001116051012	4001116083013
A silver	14.0 mm	16.5 mm	1.5 mm	loose	4001116011023	4001116051029	4001116083020
A silver	16.0 mm	19.5 mm	1.5 mm	loose	4001116011030	4001116051036	4001116083037
A silver	16.0 mm	22.5 mm	1.5 mm	loose	4001116011047	4001116051043	4001116083044

### Handle profile

ALX



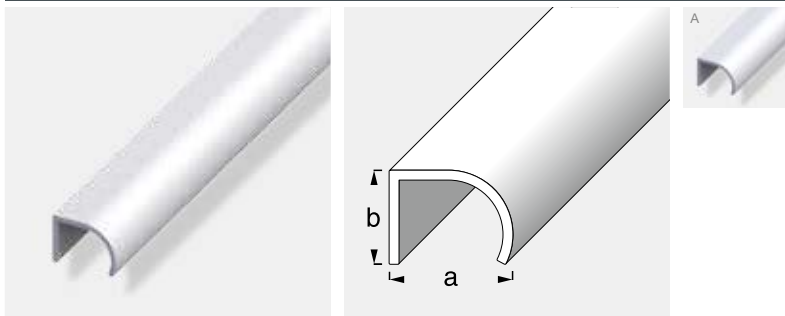
Min. OU: 5 pcs.

Anodized aluminium					length: 1.00 m	length: 2.00 m	length: 2.50 m	
Colour	Dim. a	Dim. b	Dim. c	Thickness	Packaging	EAN/Item no.	EAN/Item no.	
A silver	20.0 mm	22.0 mm	15.0 mm	1.5 mm	loose	4001116014031	4001116054037	4001116083532

# Profiles for DIY and professional purposes

## Standard profiles | Anodized and powder-coated aluminium

### Handle profile



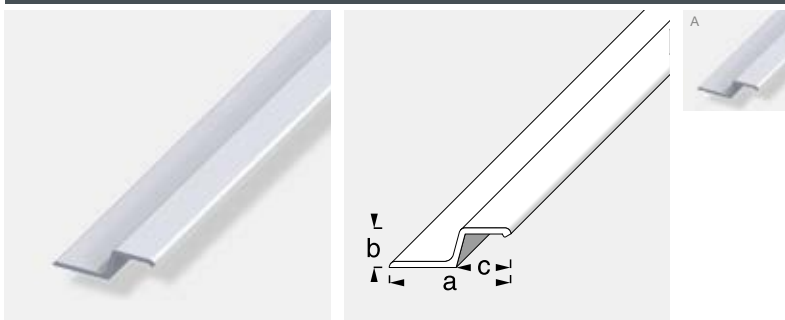
ALX



Min. OU: 5 pcs.

Anodized aluminium						length: 1.00 m	length: 2.00 m	length: 2.50 m
Colour	Dim. a	Dim. b	Thickness	Packaging		EAN/Item no.	EAN/Item no.	EAN/Item no.
A silver	25.0 mm	19.0 mm	2.0 mm	loose		4001116014048	4001116054044	4001116083549

### Handle profile



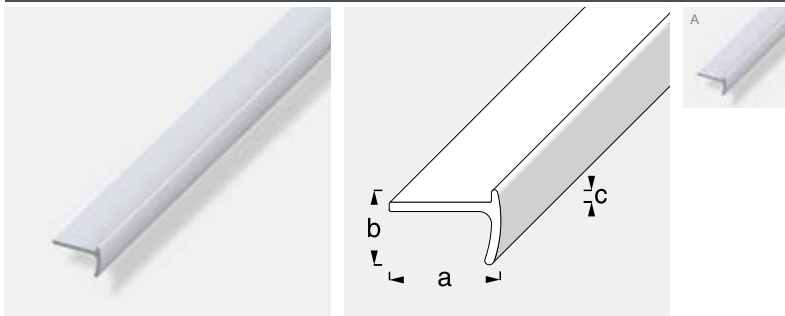
ALX



Min. OU: 5 pcs.

Anodized aluminium						length: 1.00 m	length: 2.00 m	length: 2.50 m
Colour	Dim. a	Dim. b	Dim. c	Thickness	Packaging	EAN/Item no.	EAN/Item no.	EAN/Item no.
A silver	40.0 mm	13.0 mm	18.0 mm	2.0 mm	loose	4001116014055	4001116054051	4001116083556

### Handle profile



ALX



Min. OU: 5 pcs.

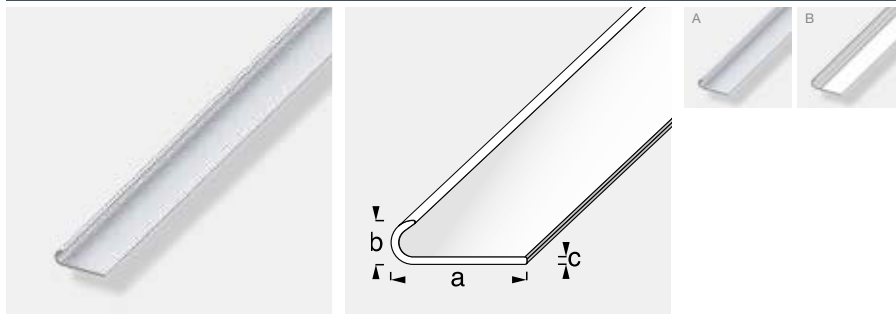
Anodized aluminium						length: 1.00 m	length: 2.00 m	length: 2.50 m
Colour	Dim. a	Dim. b	Dim. c	Thickness	Packaging	EAN/Item no.	EAN/Item no.	EAN/Item no.
A silver	18.0 mm	12.0 mm	2.0 mm	1.5 mm	loose	4001116014109	4001116054105	4001116083600

# Profiles for DIY and professional purposes

## Standard profiles | Anodized and powder-coated aluminium

### Edge protecting profile, round

ALX

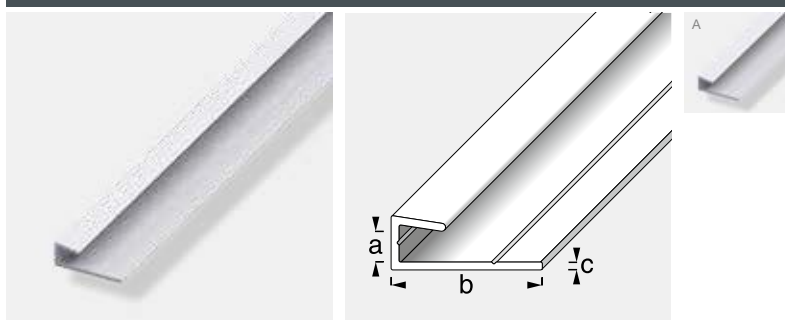


Min. OU: 5 pcs.

Anodized aluminium					length: 1.00 m	length: 2.00 m	length: 2.50 m
Colour	Dim. a	Dim. b	Dim. c	Packaging	EAN / Item no.	EAN / Item no.	EAN / Item no.
A silver	16.0 mm	5.8 mm	1.0 mm	loose	4001116011153	4001116051159	
A silver	18.0 mm	5.8 mm	1.0 mm	loose	4001116011160	4001116051166	
A silver	22.0 mm	5.8 mm	1.0 mm	loose	4001116011177	4001116051173	
A silver	25.0 mm	5.8 mm	1.0 mm	loose	4001116011184	4001116051180	
B chrome look	16.0 mm	5.8 mm	1.0 mm	shrink-wrapped	4001116013157		4001116053153
B chrome look	18.0 mm	5.8 mm	1.0 mm	shrink-wrapped	4001116013164		4001116053160
B chrome look	22.0 mm	5.8 mm	1.0 mm	shrink-wrapped	4001116013171		4001116053177
B chrome look	25.0 mm	5.8 mm	1.0 mm	shrink-wrapped	4001116013188		4001116053184

### Frame edging profile

ALX

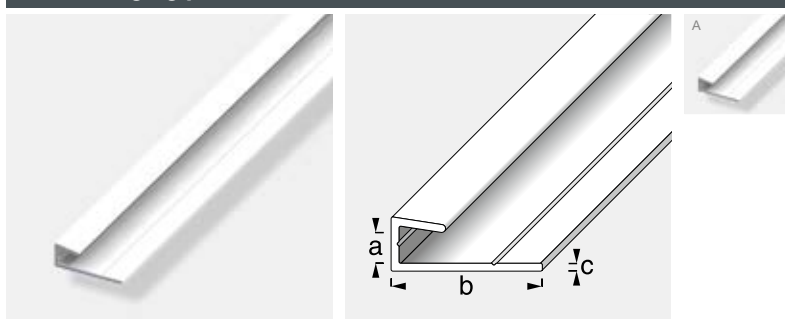


Min. OU: 5 pcs.

Anodized aluminium					length: 1.00 m	length: 2.00 m	length: 2.50 m
Colour	Dim. a	Dim. b	Dim. c	Packaging	EAN / Item no.	EAN / Item no.	EAN / Item no.
A silver	5.1 mm	25.0 mm	1.3 mm	loose	4001116011412	4001116051418	4001116083419

### Frame edging profile

ALP



Min. OU: 5 pcs.

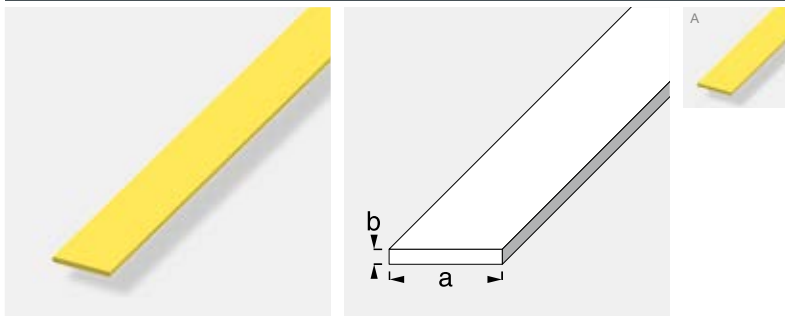
Powder-coated aluminium					length: 1.00 m	length: 2.00 m
Colour	Dim. a	Dim. b	Dim. c	Packaging	EAN / Item no.	EAN / Item no.
A white	5.1 mm	25.0 mm	1.3 mm	loose	4001116031410	4001116071416

# Profiles for DIY and professional purposes

## Standard profiles | Brass, solid

### Flat bar

MES

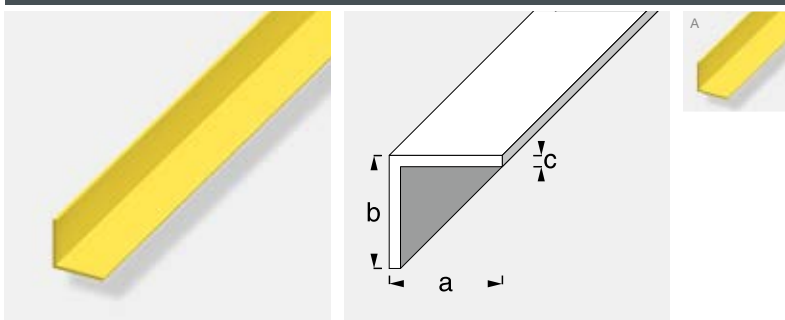


Min. OU: 5 pcs.

Solid brass					length: 1.00 m
Colour	Dim. a	Dim. b	Packaging	EAN / Item no.	
A brass	7.0mm	2.5mm	loose	4001116202100	
A brass	10.0mm	2.0mm	loose	4001116202117	
A brass	15.0mm	2.0mm	loose	4001116202124	
A brass	20.0mm	2.0mm	loose	4001116202131	

### Angle, equal-sided

MES

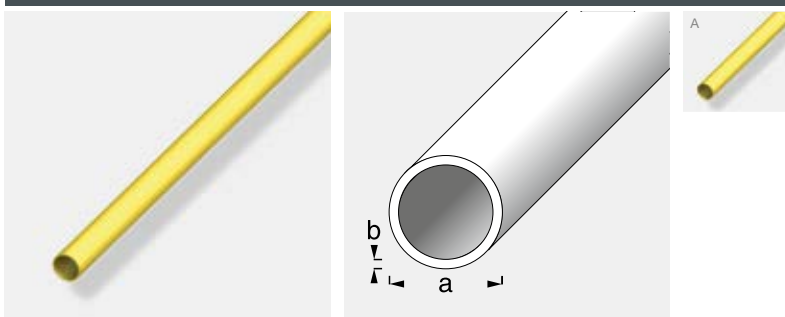


Min. OU: 5 pcs.

Solid brass					length: 1.00 m
Colour	Dim. a	Dim. b	Dim. c	Packaging	EAN / Item no.
A brass	10.0mm	10.0mm	1.0mm	loose	4001116202407
A brass	15.0mm	15.0mm	1.0mm	loose	4001116202414
A brass	20.0mm	20.0mm	1.0mm	loose	4001116202421
A brass	25.0mm	25.0mm	1.5mm	loose	4001116202438

### Round tube

MES



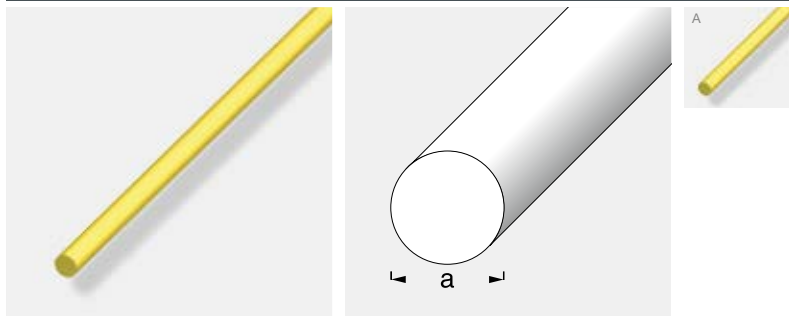
Min. OU: 5 pcs.

Solid brass					length: 1.00 m
Colour	Dim. a	Dim. b	Packaging	EAN / Item no.	
A brass	2.0mm	0.3mm	loose	4001116202209	
A brass	4.0mm	0.5mm	loose	4001116202216	
A brass	6.0mm	0.5mm	loose	4001116202223	
A brass	8.0mm	0.5mm	loose	4001116202230	
A brass	10.0mm	0.6mm	loose	4001116202247	

## Profiles for DIY and professional purposes

### Standard profiles | Brass, solid

#### Round bar



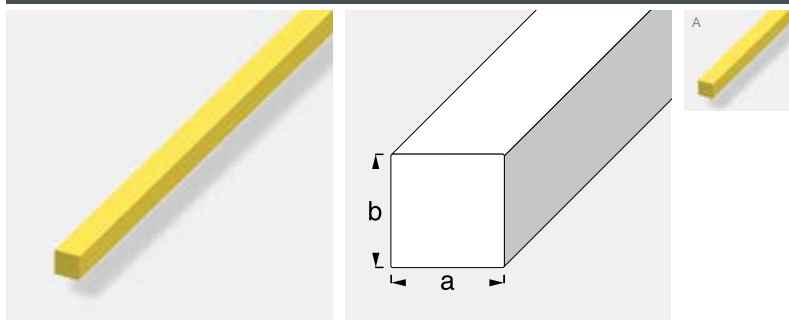
MES



Min. OU: 5 pcs.

Solid brass				length: 1.00 m
Colour	Dim. a	Packaging	EAN / Item no.	
A brass	1.3 mm	loose	4001116 202339	
A brass	2.0 mm	loose	4001116 202360	
A brass	2.9 mm	loose	4001116 202346	
A brass	4.0 mm	loose	4001116 202308	
A brass	5.3 mm	loose	4001116 202353	
A brass	6.0 mm	loose	4001116 202315	
A brass	8.0 mm	loose	4001116 202322	

#### Square bar



MES



Min. OU: 5 pcs.

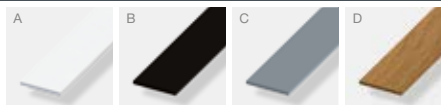
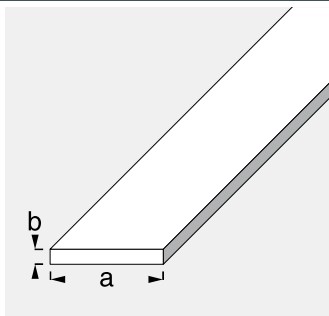
Solid brass				length: 1.00 m
Colour	Dim. a	Dim. b	Packaging	EAN / Item no.
A brass	5.0 mm	5.0 mm	loose	4001116 202803
A brass	7.0 mm	7.0 mm	loose	4001116 202810
A brass	9.0 mm	9.0 mm	loose	4001116 202827



# Profiles for DIY and professional purposes

## Standard profiles | Plastic

### Flat bar



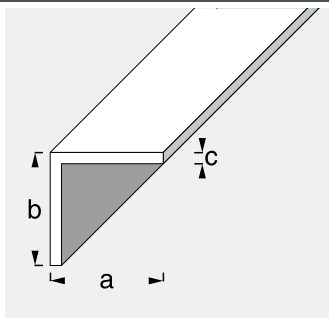
PVC



Min. OU: 5 pcs.

Plastic (hard PVC)					length: 2.50 m
Colour	Dim. a	Dim. b	Packaging	EAN/Item no.	
A white	20.0mm	3.0mm	loose	4001116 16457 6	
A white	30.0mm	3.0mm	loose	4001116 16458 3	
A white	40.0mm	3.0mm	loose	4001116 16459 0	
A white	50.0mm	3.0mm	loose	4001116 16460 6	
B black	30.0mm	3.0mm	loose	4001116 16467 5	
C grey	30.0mm	3.0mm	loose	4001116 16468 2	
D oak	30.0mm	3.0mm	loose	4001116 16469 9	

### Angle, equal-sided



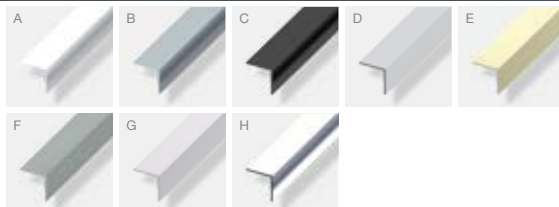
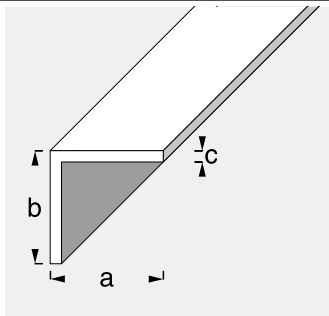
PET



Min. OU: 5 pcs.

Plastic (PET)					length: 1.00 m	length: 2.50 m
Colour	Dim. a	Dim. b	Dim. c	Packaging	EAN/Item no.	EAN/Item no.
A transparent	15.0mm	15.0mm	1.0mm	loose	4001116 12989 6	4001116 16989 2
A transparent	20.0mm	20.0mm	1.0mm	loose	4001116 12998 8	4001116 16998 4
A transparent	25.0mm	25.0mm	1.0mm	loose	4001116 12997 1	4001116 16997 7
A transparent	30.0mm	30.0mm	1.1mm	loose	4001116 12991 9	4001116 16991 5

### Angle, equal-sided



PVC



Min. OU: 5 pcs.

Plastic (hard PVC), hot-embossed					length: 1.00 m	length: 2.50 m
Colour	Dim. a	Dim. b	Dim. c	Packaging	EAN/Item no.	EAN/Item no.
A polished white	20.0mm	20.0mm	1.5mm	loose	4001116 12724 3	4001116 16724 9
B polished grey	20.0mm	20.0mm	1.5mm	loose	4001116 12730 4	4001116 16730 0
C polished black	20.0mm	20.0mm	1.5mm	loose	4001116 12726 7	4001116 16726 3

Hardware catalogue | 97002 | 01 2017 | 7708

Profiles for DIY and professional purposes



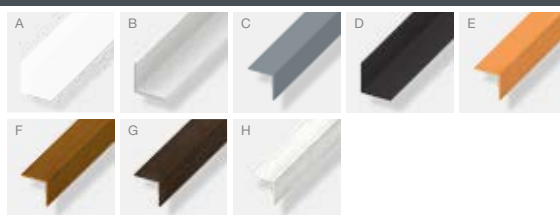
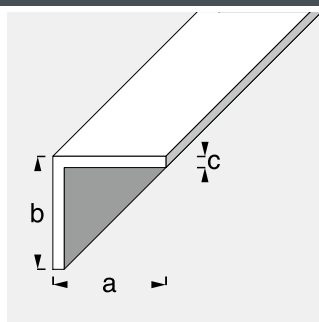
# Profiles for DIY and professional purposes

## Standard profiles | Plastic

Continued from the previous page

Plastic (hard PVC), hot-embossed					length: 1.00 m	length: 2.50 m
Colour	Dim. a	Dim. b	Dim. c	Packaging	EAN/Item no.	EAN/Item no.
D silver	20.0 mm	20.0 mm	1.5 mm	loose	4001116 12739 7	4001116 16739 3
E polished champagne	20.0 mm	20.0 mm	1.5 mm	loose	4001116 12731 1	4001116 16731 7
F titanium	20.0 mm	20.0 mm	1.5 mm	loose	4001116 12740 3	4001116 16740 9
G stainless steel visual effect	20.0 mm	20.0 mm	1.5 mm	loose	4001116 12715 1	4001116 16715 7
H chrome look	20.0 mm	20.0 mm <td 1.5 mm	loose	4001116 12738 0	4001116 16738 6	

### Angle, equal-sided

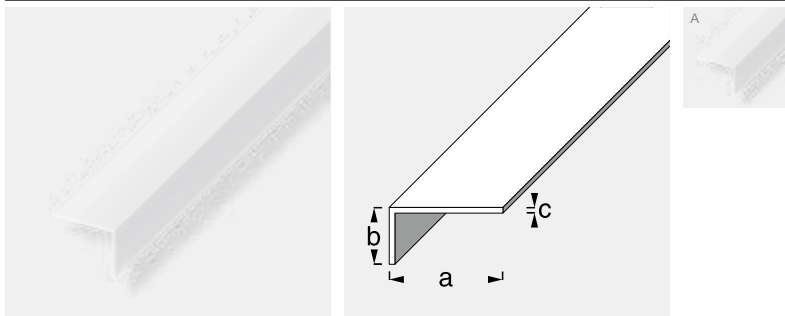


Plastic (hard PVC)					length: 1.00 m	length: 2.00 m	length: 2.50 m
Colour	Dim. a	Dim. b	Dim. c	Packaging	EAN/Item no.	EAN/Item no.	EAN/Item no.
A transparent	20.0 mm	20.0 mm	1.0 mm	loose		4001116 16999 1	
B white	10.0 mm	10.0 mm	1.0 mm	loose	4001116 12140 1	4001116 16140 7	4001116 16480 4
B white	15.0 mm	15.0 mm	1.0 mm	loose	4001116 12141 8	4001116 16141 4	4001116 16481 1
B white	20.0 mm	20.0 mm	1.0 mm	loose	4001116 12146 3	4001116 16146 9	4001116 16573 3
B white	20.0 mm	20.0 mm	1.5 mm	loose	4001116 12142 5	4001116 16142 1	4001116 16482 8
B white	25.0 mm	25.0 mm	1.0 mm	loose	4001116 12147 0	4001116 16147 6	4001116 16574 0
B white	25.0 mm	25.0 mm	1.8 mm	loose	4001116 12143 2	4001116 16143 8	4001116 16483 5
B white	30.0 mm	30.0 mm	1.1 mm	loose	4001116 12175 3	4001116 16175 9	4001116 16575 7
B white	40.0 mm	40.0 mm	1.2 mm	loose	4001116 12176 0	4001116 16176 6	4001116 16576 4
B white	50.0 mm	50.0 mm	1.2 mm	loose	4001116 12177 7	4001116 16177 3	4001116 16577 1
B white	60.0 mm	60.0 mm	1.0 mm	loose			4001116 16450 7
B white	100.0 mm	100.0 mm	1.0 mm	loose			4001116 16456 9
C grey	15.0 mm	15.0 mm	1.0 mm	loose			4001116 16465 1
C grey	20.0 mm	20.0 mm	1.0 mm	loose	4001116 12727 4		4001116 16727 0
C grey	20.0 mm	20.0 mm	1.5 mm	loose			4001116 16466 8
D black	10.0 mm	10.0 mm	1.0 mm	loose	4001116 11140 2	4001116 15140 8	
D black	15.0 mm	15.0 mm	1.0 mm	loose	4001116 11141 9	4001116 15141 5	4001116 15158 3
D black	20.0 mm	20.0 mm	1.0 mm	loose	4001116 11146 4	4001116 15146 0	
D black	20.0 mm	20.0 mm	1.5 mm	loose	4001116 11142 6	4001116 15142 2	4001116 15159 0
D black	25.0 mm	25.0 mm	1.0 mm	loose	4001116 11147 1		4001116 15147 7
D black	25.0 mm	25.0 mm	1.8 mm	loose	4001116 11143 3	4001116 15143 9	
E beech	20.0 mm	20.0 mm	1.0 mm	loose			4001116 16717 1
E beech	30.0 mm	30.0 mm	1.1 mm	loose			4001116 16718 8
F oak	20.0 mm	20.0 mm	1.0 mm	loose			4001116 16716 4
G wenge	20.0 mm	20.0 mm	1.0 mm	loose			4001116 16732 4
G wenge	30.0 mm	30.0 mm	1.1 mm	loose			4001116 16720 1
H wood white	30.0 mm	30.0 mm	1.1 mm	loose			4001116 16719 5

# Profiles for DIY and professional purposes

## Standard profiles | Plastic

### Angle, unequal-sided



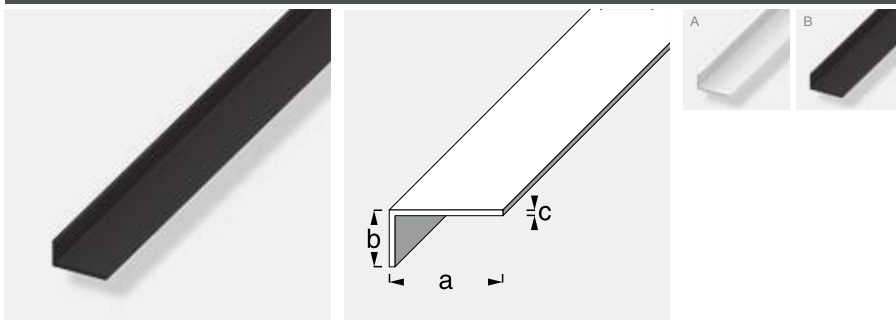
PET



Min. OU: 5 pcs.

Plastic (PET)					length: 1.00 m	length: 2.50 m
Colour	Dim. a	Dim. b	Dim. c	Packaging	EAN / Item no.	EAN / Item no.
A transparent	20.0 mm	10.0 mm	1.5 mm	loose	4001116 12996 4	4001116 16996 0
A transparent	25.0 mm	20.0 mm	2.0 mm	loose	4001116 12995 7	4001116 16995 3

### Angle, unequal-sided



PVC



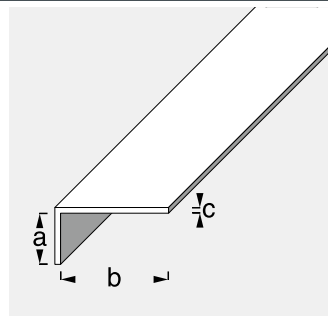
Min. OU: 5 pcs.

Plastic (hard PVC)					length: 1.00 m	length: 2.00 m	length: 2.50 m
Colour	Dim. a	Dim. b	Dim. c	Packaging	EAN / Item no.	EAN / Item no.	EAN / Item no.
A white	20.0 mm	10.0 mm	1.0 mm	loose	4001116 12154 8	4001116 16154 4	
A white	20.0 mm	10.0 mm	1.5 mm	loose	4001116 12150 0	4001116 16150 6	4001116 16484 2
A white	25.0 mm	20.0 mm	1.0 mm	loose	4001116 12155 5	4001116 16155 1	
A white	25.0 mm	20.0 mm	2.0 mm	loose	4001116 12151 7	4001116 16151 3	4001116 16485 9
A white	30.0 mm	20.0 mm	1.0 mm	loose	4001116 12156 2	4001116 16156 8	
A white	30.0 mm	20.0 mm	3.0 mm	loose	4001116 12152 4	4001116 16152 0	4001116 16486 6
A white	40.0 mm	10.0 mm	1.0 mm	loose	4001116 12157 9	4001116 16157 5	
A white	40.0 mm	10.0 mm	2.0 mm	loose	4001116 12153 1	4001116 16153 7	4001116 16487 3
B black	20.0 mm	10.0 mm	1.5 mm	loose	4001116 11150 1	4001116 15150 7	
B black	25.0 mm	20.0 mm	2.0 mm	loose	4001116 11151 8	4001116 15151 4	
B black	30.0 mm	20.0 mm	3.0 mm	loose	4001116 11152 5	4001116 15152 1	
B black	40.0 mm	10.0 mm	2.0 mm	loose	4001116 11153 2	4001116 15153 8	

# Profiles for DIY and professional purposes

## Standard profiles | Plastic

### Angle, unequal-sided



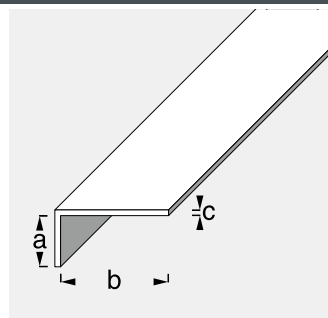
PVC



Min. OU: 5 pcs.

Plastic (hard PVC)					length: 1.00 m	length: 2.00 m
Colour	Dim. a	Dim. b	Dim. c	Packaging	EAN/Item no.	EAN/Item no.
A white	10.0 mm	13.0 mm	1.2 mm	loose	4001116 12305 4	4001116 16305 0
A white	10.0 mm	19.0 mm	1.2 mm	loose	4001116 12315 3	4001116 16315 9
A white	13.0 mm	22.0 mm	1.3 mm	loose	4001116 12325 2	4001116 16325 8
A white	16.0 mm	19.0 mm	1.3 mm	loose	4001116 12335 1	4001116 16335 7
A white	16.0 mm	25.0 mm	1.4 mm	loose	4001116 12345 0	4001116 16345 6
A white	19.0 mm	22.0 mm	1.4 mm	loose	4001116 12355 9	4001116 16355 5
A white	19.0 mm	28.0 mm	1.5 mm	loose	4001116 12365 8	4001116 16365 4
A white	25.0 mm	28.0 mm	1.5 mm	loose	4001116 12375 7	4001116 16375 3
B brown	10.0 mm	13.0 mm	1.2 mm	loose	4001116 12304 7	4001116 16304 3
B brown	10.0 mm	19.0 mm	1.2 mm	loose	4001116 12314 6	4001116 16314 2
B brown	13.0 mm	22.0 mm	1.3 mm	loose	4001116 12324 5	4001116 16324 1
B brown	16.0 mm	19.0 mm	1.3 mm	loose	4001116 12334 4	4001116 16334 0
B brown	16.5 mm	25.0 mm	1.4 mm	loose	4001116 12344 3	4001116 16344 9
B brown	19.0 mm	22.0 mm	1.4 mm	loose	4001116 12354 2	4001116 16354 8
B brown	19.0 mm	28.0 mm	1.5 mm	loose	4001116 12364 1	4001116 16364 7
B brown	25.0 mm	28.0 mm	1.5 mm	loose	4001116 12374 0	4001116 16374 6

### Angle, unequal-sided



PVC



Min. OU: 5 pcs.

Plastic (hard PVC)					length: 1.00 m	length: 2.00 m
Colour	Dim. a	Dim. b	Dim. c	Packaging	EAN/Item no.	EAN/Item no.
A light oak	10.0 mm	13.0 mm	1.2 mm	loose	4001116 12300 9	4001116 16300 5
A light oak	10.0 mm	19.0 mm	1.2 mm	loose	4001116 12310 8	4001116 16310 4
A light oak	13.0 mm	22.0 mm	1.3 mm	loose	4001116 12320 7	4001116 16320 3
A light oak	16.0 mm	19.0 mm	1.3 mm	loose	4001116 12330 6	4001116 16330 2
A light oak	16.0 mm	25.0 mm	1.4 mm	loose	4001116 12340 5	4001116 16340 1
A light oak	19.0 mm	22.0 mm	1.4 mm	loose	4001116 12350 4	4001116 16350 0
A light oak	19.0 mm	28.0 mm	1.5 mm	loose	4001116 12360 3	4001116 16360 9
A light oak	25.0 mm	28.0 mm	1.5 mm	loose	4001116 12370 2	4001116 16370 8
B rustic oak	10.0 mm	13.0 mm	1.2 mm	loose	4001116 12301 6	4001116 16301 2
B rustic oak	10.0 mm	19.0 mm	1.2 mm	loose	4001116 12311 5	4001116 16311 1
B rustic oak	13.0 mm	22.0 mm	1.3 mm	loose	4001116 12321 4	4001116 16321 0
B rustic oak	16.0 mm	19.0 mm	1.3 mm	loose	4001116 12331 3	4001116 16331 9

Hardware catalogue | 97002 | 01 2017 | 71708



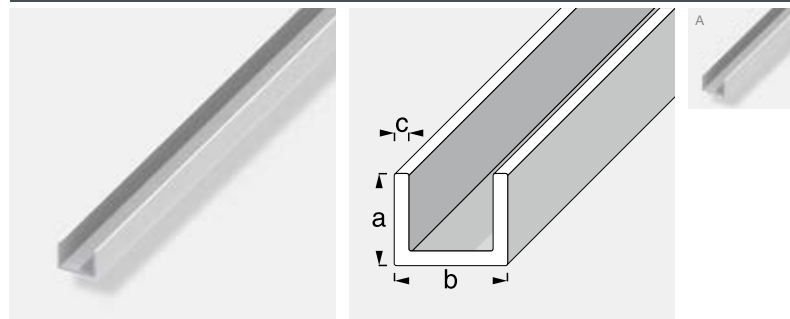
# Profiles for DIY and professional purposes

## Standard profiles | Plastic

Continued from the previous page

Plastic (hard PVC)					length: 1.00 m	length: 2.00 m
Colour	Dim. a	Dim. b	Dim. c	Packaging	EAN / Item no.	EAN / Item no.
B rustic oak	16.0mm	25.0mm	1.4mm	loose	4001116 123412	4001116 163418
B rustic oak	19.0mm	22.0mm	1.4mm	loose	4001116 123511	4001116 163517
B rustic oak	19.0mm	28.0mm	1.5mm	loose	4001116 123610	4001116 163616
B rustic oak	25.0mm	28.0mm	1.5mm	loose	4001116 123719	4001116 163715
C pine	10.0mm	13.0mm	1.2mm	loose	4001116 123030	4001116 163036
C pine	10.0mm	19.0mm	1.2mm	loose	4001116 123139	4001116 163135
C pine	13.0mm	22.0mm	1.3mm	loose	4001116 123238	4001116 163234
C pine	16.0mm	19.0mm	1.3mm	loose	4001116 123337	4001116 163333
C pine	16.0mm	25.0mm	1.4mm	loose	4001116 123436	4001116 163432
C pine	19.0mm	22.0mm	1.4mm	loose	4001116 123535	4001116 163531
C pine	19.0mm	28.0mm	1.5mm	loose	4001116 123634	4001116 163630
C pine	25.0mm	28.0mm	1.5mm	loose	4001116 123733	4001116 163739
D walnut	10.0mm	13.0mm	1.2mm	loose	4001116 123023	4001116 163029
D walnut	10.0mm	19.0mm	1.2mm	loose	4001116 123122	4001116 163128
D walnut	13.0mm	22.0mm	1.3mm	loose	4001116 123221	4001116 163227
D walnut	16.0mm	19.0mm	1.3mm	loose	4001116 123320	4001116 163326
D walnut	16.0mm	25.0mm	1.4mm	loose	4001116 123429	4001116 163425
D walnut	19.0mm	22.0mm	1.4mm	loose	4001116 123528	4001116 163524
D walnut	19.0mm	28.0mm	1.5mm	loose	4001116 123627	4001116 163623
D walnut	25.0mm	28.0mm	1.5mm	loose	4001116 123726	4001116 163722

### U-profile



PVC



Min. OU: 5 pcs.

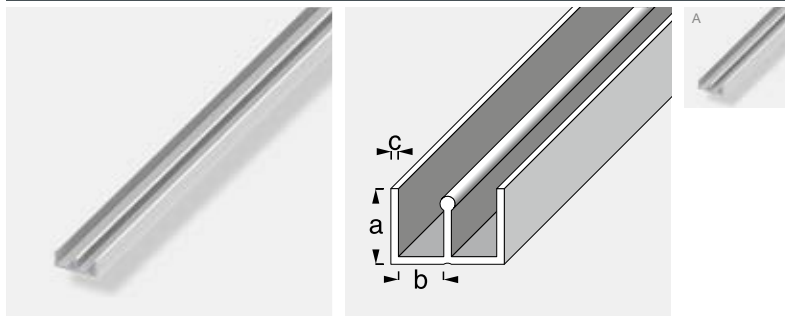
Plastic (hard PVC)					length: 1.00 m	length: 2.00 m
Colour	Dim. a	Dim. b	Dim. c	Packaging	EAN / Item no.	EAN / Item no.
A white	10.0mm	12.0mm	1.0mm	loose	4001116 121609	4001116 161605
A white	10.0mm	14.0mm	1.0mm	loose	4001116 121616	4001116 161612
A white	10.0mm	18.0mm	1.0mm	loose	4001116 121623	4001116 161629
A white	10.0mm	21.0mm	1.0mm	loose	4001116 121630	4001116 161636
A white	10.0mm	24.0mm	1.0mm	loose	4001116 121647	4001116 161643



# Profiles for DIY and professional purposes

## Standard profiles | Plastic

### Guide rail profile, assembly below



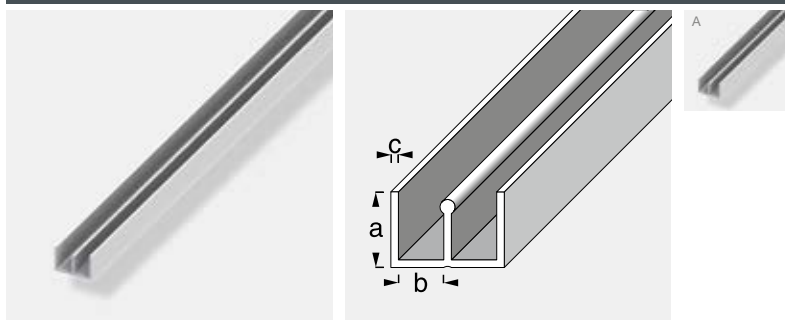
PVC



Min. OU: 5 pcs.

Plastic (hard PVC)					length: 1.00m	length: 2.00m
Colour	Dim. a	Dim. b	Dim. c	Packaging	EAN/Item no.	EAN/Item no.
A white	6.0mm	6.0mm	1.0mm	loose	4001116 12165 4	4001116 16165 0

### Guide rail profile, assembly at the top



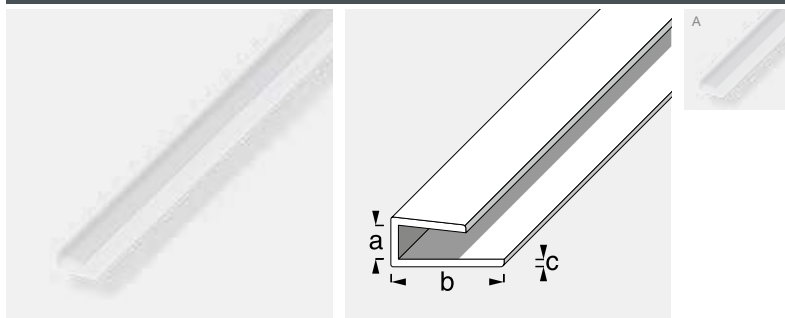
PVC



Min. OU: 5 pcs.

Plastic (hard PVC)					length: 1.00m	length: 2.00m
Colour	Dim. a	Dim. b	Dim. c	Packaging	EAN/Item no.	EAN/Item no.
A white	10.0mm	6.0mm	1.0mm	loose	4001116 12166 1	4001116 16166 7

### Edge profile, one-sided



PET



Min. OU: 5 pcs.

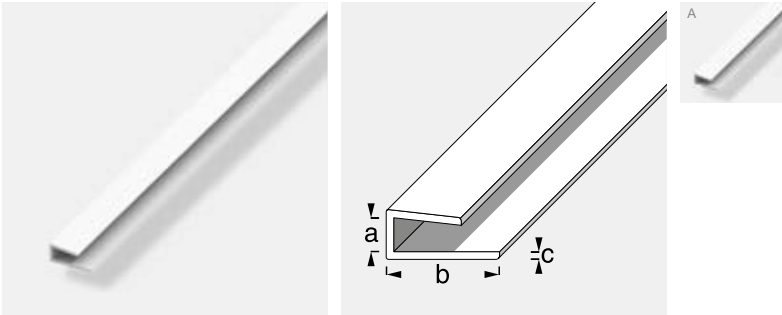
Plastic (PET)					length: 1.00m	length: 2.50m
Colour	Dim. a	Dim. b	Dim. c	Packaging	EAN/Item no.	EAN/Item no.
A transparent	4.0mm	15.0mm	1.0mm	loose	4001116 12994 0	4001116 16994 6

# Profiles for DIY and professional purposes

## Standard profiles | Plastic

### Edge profile, one-sided

PVC



Min. OU: 5 pcs.

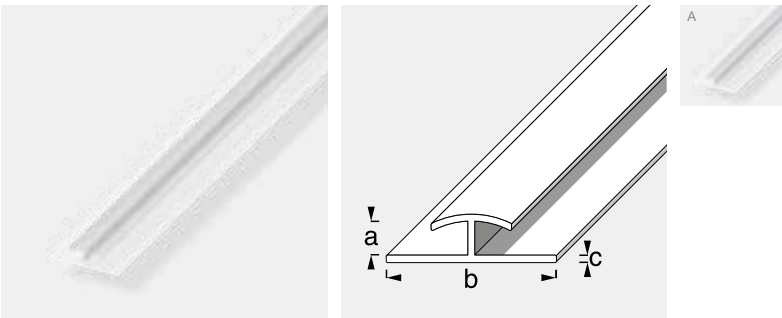
Plastic (hard PVC)

length: 1.00 m

Colour	Dim. a	Dim. b	Dim. c	Packaging	EAN / Item no.
A white	4.0 mm	15.0 mm	1.0 mm	loose	4001116121715

### Edge profile, two-sided

PET



Min. OU: 5 pcs.

Plastic (PET)

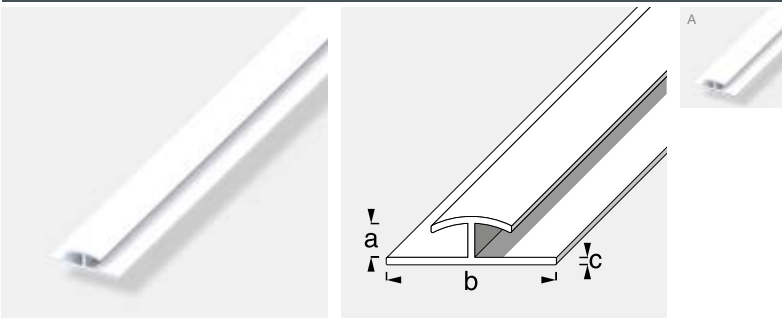
length: 1.00 m

length: 2.50 m

Colour	Dim. a	Dim. b	Dim. c	Packaging	EAN / Item no.	EAN / Item no.
A transparent	4.0 mm	25.0 mm	1.0 mm	loose	4001116129889	4001116169885

### Edge profile, two-sided

PVC



Min. OU: 5 pcs.

Plastic (hard PVC)

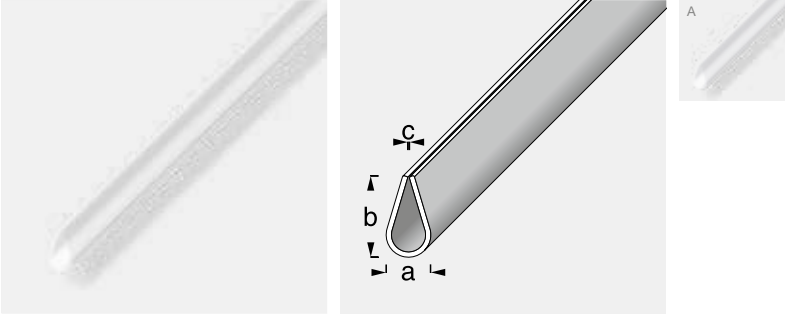
length: 1.00 m

Colour	Dim. a	Dim. b	Dim. c	Packaging	EAN / Item no.
A white	4.0 mm	25.0 mm	1.0 mm	loose	4001116121708

# Profiles for DIY and professional purposes

## Standard profiles | Plastic

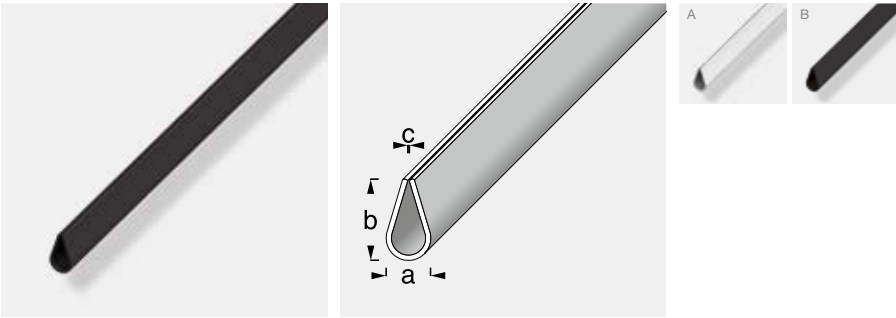
**Frame profile** PET



Min. OU: 5 pcs.

Plastic (PET)						length: 1.00 m	length: 2.50 m
Colour	Dim. a	Dim. b	Dim. c min.	Dim. c max.	Packaging	EAN/Item no.	EAN/Item no.
A transparent	8.5 mm	15.0 mm	0.5 mm	2.0 mm	loose	4001116 129933	4001116 169939

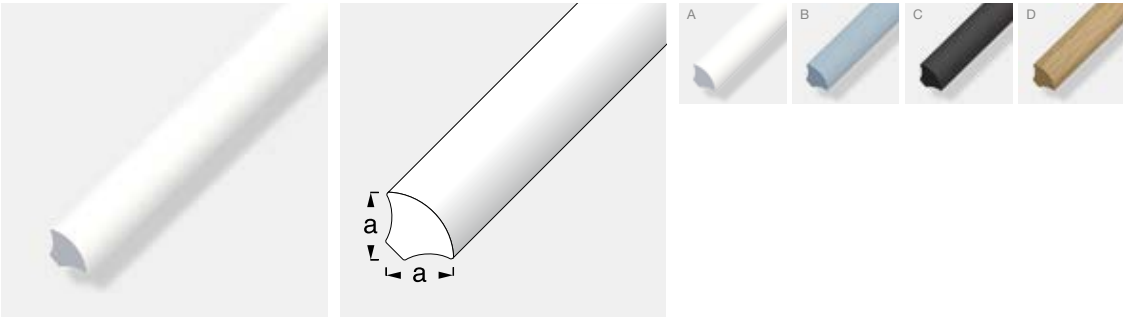
**Frame profile** PVC



Min. OU: 5 pcs.

Plastic (hard PVC)						length: 1.00 m	length: 2.00 m
Colour	Dim. a	Dim. b	Dim. c min.	Dim. c max.	Packaging	EAN/Item no.	EAN/Item no.
A white	8.5 mm	15.0 mm	0.5 mm	2.0 mm	loose	4001116 121722	4001116 161728
B black	8.5 mm	15.0 mm	0.5 mm	2.0 mm	loose	4001116 111723	4001116 151729

**Quarter circle corner bar** PVC



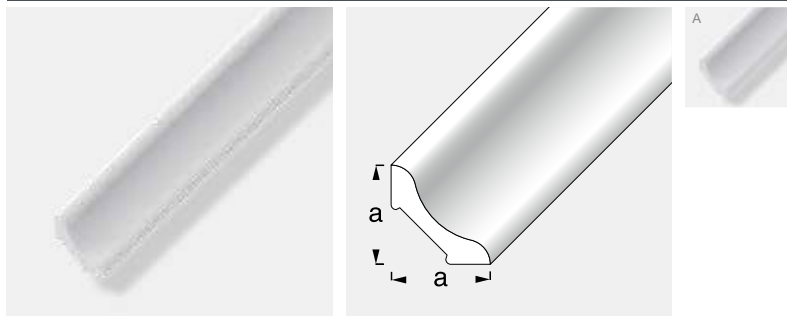
Min. OU: 5 pcs.

Plastic (hard PVC)				length: 2.50 m
Colour	Dim. a	Packaging	EAN/Item no.	EAN/Item no.
A white	14.0 mm	loose	4001116 164903	
B grey	14.0 mm	loose	4001116 164927	
C black	14.0 mm	loose	4001116 164934	
D oak	14.0 mm	loose	4001116 164910	

# Profiles for DIY and professional purposes

## Standard profiles | Plastic

### Corner bar



PVC

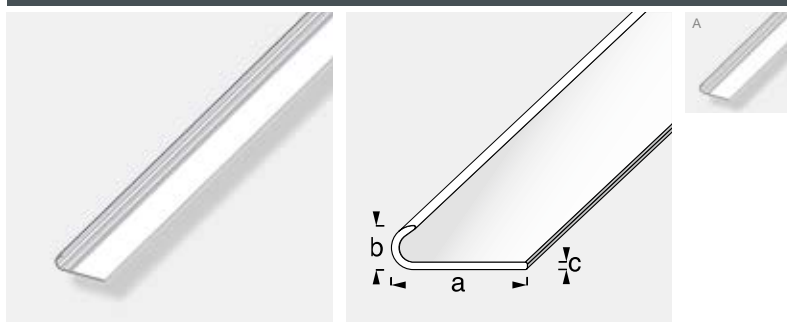


Min. OU: 5 pcs.

Plastic (hard PVC)

Colour	Dim. a	Packaging	length: 2.50 m EAN / Item no.
A white	20.0 mm	loose	4001116 16494 1

### Edge protecting profile, round



PVC

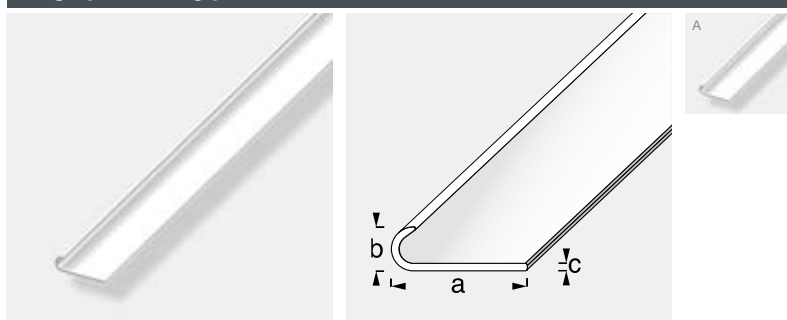


Min. OU: 5 pcs.

Plastic (hard PVC), hot-embossed

Colour	Dim. a	Dim. b	Dim. c	Packaging	length: 1.00 m EAN / Item no.	length: 2.00 m EAN / Item no.
A chrome look	16.0 mm	5.8 mm	1.0 mm	loose	4001116 12190 6	4001116 16190 2
A chrome look	18.0 mm	5.8 mm	1.0 mm	loose	4001116 12191 3	4001116 16191 9
A chrome look	22.0 mm	5.8 mm	1.0 mm	loose	4001116 12192 0	4001116 16192 6
A chrome look	25.0 mm	5.8 mm	1.0 mm	loose	4001116 12193 7	4001116 16193 3

### Edge protecting profile, round



PVC



Min. OU: 5 pcs.

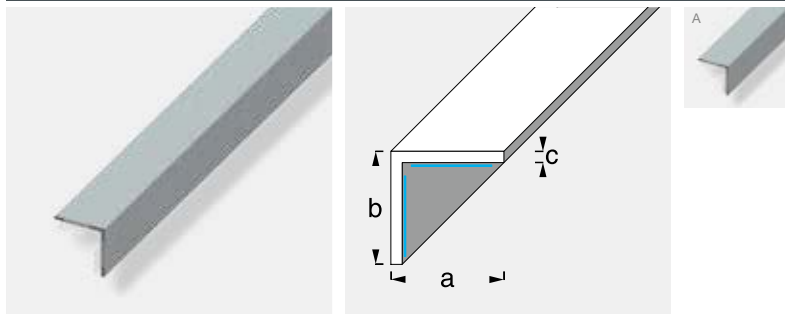
Plastic (hard PVC)

Colour	Dim. a	Dim. b	Dim. c	Packaging	length: 1.00 m EAN / Item no.	length: 2.00 m EAN / Item no.
A brilliant-white	16.0 mm	5.8 mm	1.0 mm	loose	4001116 12180 7	4001116 16180 3
A brilliant-white	18.0 mm	5.8 mm	1.0 mm	loose	4001116 12181 4	4001116 16181 0
A brilliant-white	22.0 mm	5.8 mm	1.0 mm	loose	4001116 12182 1	4001116 16182 7
A brilliant-white	25.0 mm	5.8 mm	1.0 mm	loose	4001116 12183 8	4001116 16183 4

## Profiles for DIY and professional purposes

### Standard profiles | Aluminium and plastic, self-adhesive

#### Bracket, equal-sided, self-adhesive



ALX

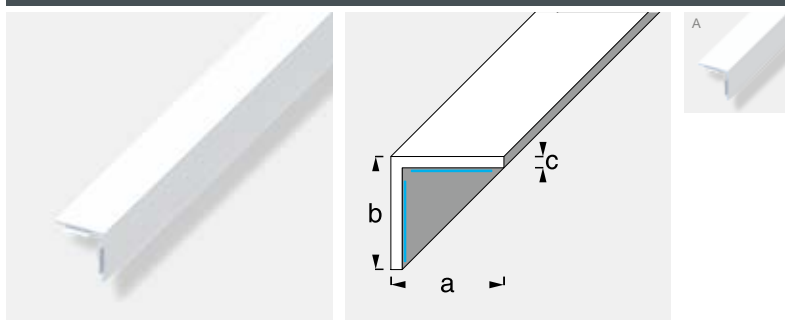


Min. OU: 5 pcs.

#### Anodized aluminium, self-adhesive

Colour	Dim. a	Dim. b	Dim. c	Packaging	length: 1.00 m	length: 2.50 m
					EAN/Item no.	EAN/Item no.
A stainless steel visual effect	15.0 mm	15.0 mm	0.5 mm	loose	4001116 12602 4	4001116 16602 0

#### Bracket, equal-sided, self-adhesive



ALP

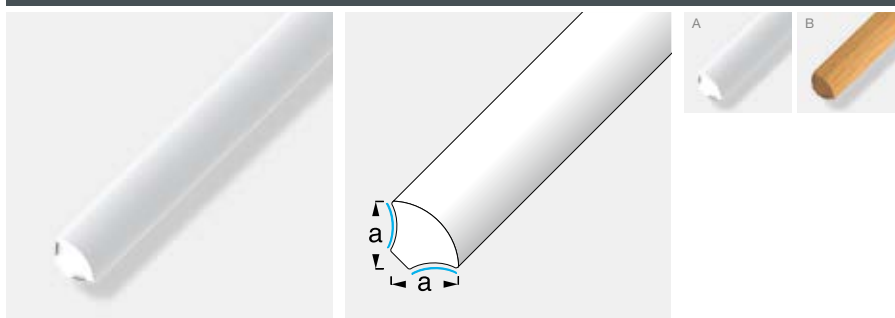


Min. OU: 5 pcs.

#### Powder-coated aluminium, self-adhesive

Colour	Dim. a	Dim. b	Dim. c	Packaging	length: 1.00 m	length: 2.00 m
					EAN/Item no.	EAN/Item no.
A white	20.0 mm	20.0 mm	1.5 mm	loose	4001116 12600 0	4001116 16600 6
A white	25.0 mm	25.0 mm	1.5 mm	loose	4001116 12601 7	4001116 16601 3

#### Quarter circle corner bar, self-adhesive



PVC



Min. OU: 5 pcs.

#### Plastic (hard PVC, foamed), self-adhesive

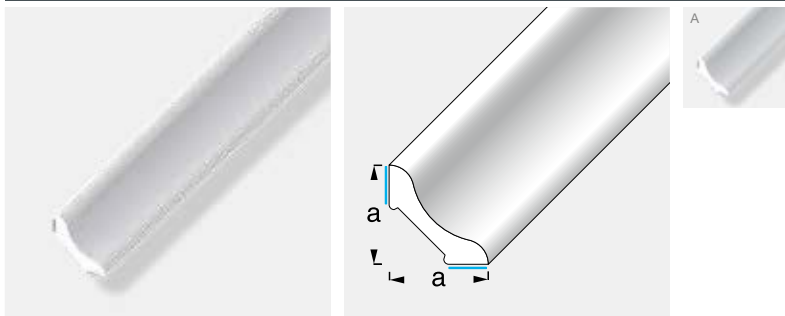
Colour	Dim. a	Packaging	length: 1.00 m	length: 2.50 m
			EAN/Item no.	EAN/Item no.
A white	14.0 mm	loose	4001116 12622 2	4001116 16622 8
B oak	14.0 mm	loose	4001116 12623 9	4001116 16623 5



# Profiles for DIY and professional purposes

## Standard profiles | Aluminium and plastic, self-adhesive

### Corner bar, self-adhesive



PVC

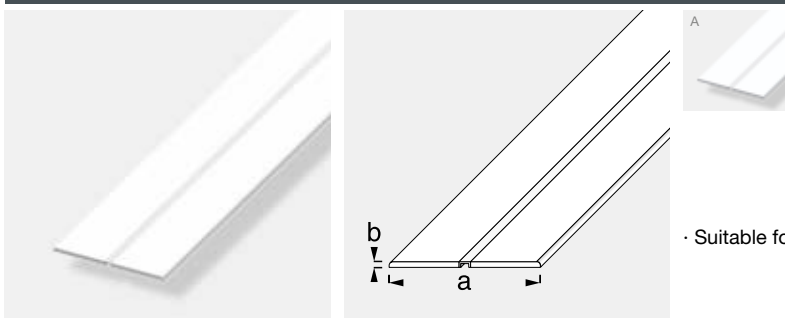


Min. OU: 5 pcs.

#### Plastic (hard PVC, foamed), self-adhesive

Colour	Dim. a	Packaging	length: 1.00 m EAN / Item no.	length: 2.50 m EAN / Item no.
A white	20.0 mm	loose	4001116 12621 5	4001116 16621 1

### Combi-bracket, equal-sided, self-adhesive



PVC



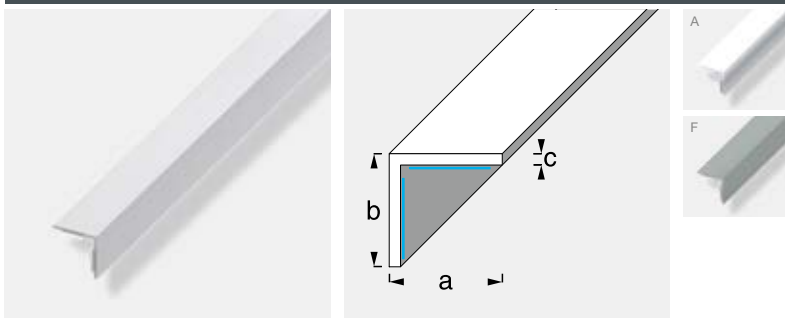
Min. OU: 5 pcs.

· Suitable for edges with different degree values

#### Plastic (hard and soft PVC), self-adhesive

Colour	Dim. a	Dim. b	Packaging	length: 2.50 m EAN / Item no.
A white	40.0 mm	1.5 mm	loose	4001116 16750 8

### Bracket, equal-sided, self-adhesive



PVC



Min. OU: 5 pcs.

#### Plastic (hard PVC), hot-embossed, self-adhesive

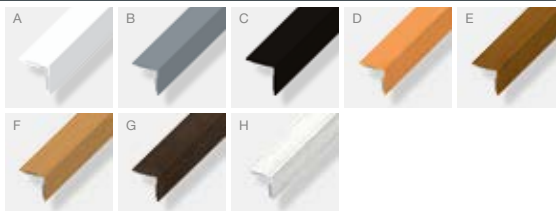
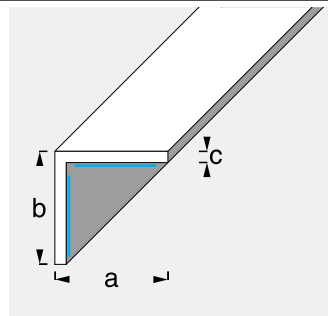
Colour	Dim. a	Dim. b	Dim. c	Packaging	length: 1.00 m EAN / Item no.	length: 2.50 m EAN / Item no.
A polished white	20.0 mm	20.0 mm	1.5 mm	loose	4001116 12624 6	4001116 16624 2
B polished grey	20.0 mm	20.0 mm	1.5 mm	loose	4001116 12630 7	4001116 16630 3
C polished black	20.0 mm	20.0 mm	1.5 mm	loose	4001116 12626 0	4001116 16626 6
D silver	20.0 mm	20.0 mm	1.5 mm	loose	4001116 12639 0	4001116 16639 6
E polished champagne	20.0 mm	20.0 mm	1.5 mm	loose	4001116 12631 4	4001116 16631 0
F titanium	20.0 mm	20.0 mm	1.5 mm	loose	4001116 12640 6	4001116 16640 2
G stainless steel visual effect	20.0 mm	20.0 mm	1.5 mm	loose	4001116 12615 4	4001116 16615 0
H chrome look	20.0 mm	20.0 mm	1.5 mm	loose	4001116 12638 3	4001116 16638 9

# Profiles for DIY and professional purposes

## Standard profiles | Aluminium and plastic, self-adhesive

### Bracket, equal-sided, self-adhesive

PVC



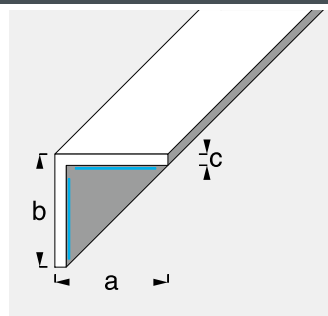
Min. OU: 5 pcs.

#### Plastic (hard PVC) self-adhesive

Colour	Dim. a	Dim. b	Dim. c	Packaging	length: 1.00 m	length: 2.50 m
					EAN/Item no.	EAN/Item no.
A white	10.0mm	10.0mm	1.0mm	loose	4001116 126109	4001116 166105
A white	15.0mm	15.0mm	1.0mm	loose	4001116 126116	4001116 166112
A white	20.0mm	20.0mm	1.0mm	loose	4001116 126123	4001116 166129
A white	25.0mm	25.0mm	1.0mm	loose	4001116 126130	4001116 166136
A white	30.0mm	30.0mm	1.1mm	loose	4001116 126147	4001116 166143
B grey	20.0mm	20.0mm	1.0mm	loose	4001116 126277	4001116 166273
B grey	25.0mm	25.0mm	1.0mm	loose	4001116 126352	
B grey	30.0mm	30.0mm	1.1mm	loose	4001116 126369	
B grey	35.0mm	35.0mm	1.1mm	loose	4001116 126376	
C black	20.0mm	20.0mm	1.0mm	loose	4001116 126253	4001116 166259
D beech	20.0mm	20.0mm	1.0mm	loose	4001116 126178	4001116 166174
D beech	30.0mm	30.0mm	1.1mm	loose	4001116 126185	4001116 166181
E rustic oak	20.0mm	20.0mm	1.0mm	loose	4001116 126161	4001116 166167
F light oak	20.0mm	20.0mm	1.0mm	loose	4001116 126345	4001116 166341
G wenge	20.0mm	20.0mm	1.0mm	loose	4001116 126321	4001116 166327
G wenge	30.0mm	30.0mm	1.1mm	loose	4001116 126208	4001116 166204
H wood white	30.0mm	30.0mm	1.1mm	loose	4001116 126192	4001116 166198

### Bracket, equal-sided, self-adhesive

PET



Min. OU: 5 pcs.

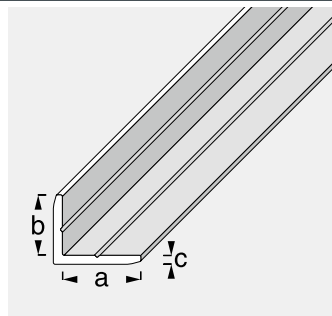
#### Plastic (PET), self-adhesive

Colour	Dim. a	Dim. b	Dim. c	Packaging	length: 1.00 m	length: 2.50 m
					EAN/Item no.	EAN/Item no.
A green	25.0mm	25.0mm	1.0mm	loose	4001116 126703	4001116 166709
A green	30.0mm	30.0mm	1.1mm	loose	4001116 126758	4001116 166754
B blue	25.0mm	25.0mm	1.0mm	loose	4001116 126710	4001116 166716
B blue	30.0mm	30.0mm	1.1mm	loose	4001116 126765	4001116 166761
C pink	25.0mm	25.0mm	1.0mm	loose	4001116 126727	4001116 166723
C pink	30.0mm	30.0mm	1.1mm	loose	4001116 126772	4001116 166778
D red	25.0mm	25.0mm	1.0mm	loose	4001116 126734	4001116 166730
D red	30.0mm	30.0mm	1.1mm	loose	4001116 126789	4001116 166785
E yellow	25.0mm	25.0mm	1.0mm	loose	4001116 126741	4001116 166747
E yellow	30.0mm	30.0mm	1.1mm	loose	4001116 126796	4001116 166792

# Profiles for DIY and professional purposes

## clampline clamping profiles | Aluminium

### clampline angle profile



ALX

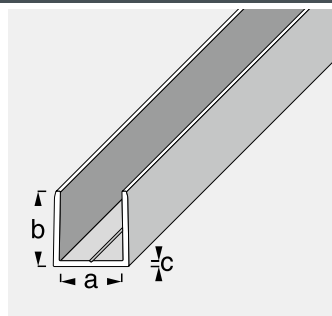


Min. OU: 5 pcs.

- For covering all edges of the plates
- The corresponding dimensions are of the profiles are specified as the inner dimension

Anodized aluminium		Plate thickness					length: 1.00 m	length: 2.00 m
Colour	Dim. a	Dim. b	Dim. c	min.	max.	Packaging	EAN / Item no.	EAN / Item no.
A silver	8.0 mm	6.0 mm	1.5 mm	6.0 mm	8.0 mm	loose	4001116 180019	4001116 180118
A silver	13.0 mm	10.0 mm	1.5 mm	10.0 mm	13.0 mm	loose	4001116 180026	4001116 180125
A silver	18.0 mm	16.0 mm	1.5 mm	16.0 mm	18.0 mm	loose	4001116 180033	4001116 180132
A silver	21.0 mm	19.0 mm	1.5 mm	19.0 mm	21.0 mm	loose	4001116 180040	4001116 180149

### clampline U-profile



ALX

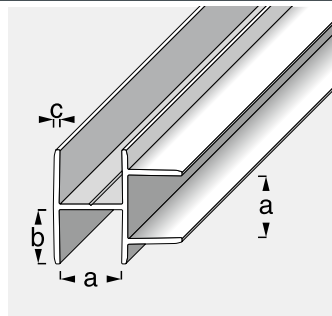


Min. OU: 5 pcs.

- For edging plates
- The corresponding dimensions are of the profiles are specified as the inner dimension

Anodized aluminium						length: 1.00 m		length: 2.00 m
Colour	Dim. a	Dim. b	Dim. c	Plate thickness	Packaging	EAN / Item no.	EAN / Item no.	
A silver	5.9 mm	10.0 mm	1.5 mm	6.0 mm	loose	4001116 180217	4001116 180316	
A silver	7.9 mm	10.0 mm	1.5 mm	8.0 mm	loose	4001116 180224	4001116 180323	
A silver	9.9 mm	10.0 mm	1.5 mm	10.0 mm	loose	4001116 180231	4001116 180330	
A silver	12.9 mm	14.0 mm	1.5 mm	13.0 mm	loose	4001116 180248	4001116 180347	
A silver	15.9 mm	18.0 mm	1.5 mm	16.0 mm	loose	4001116 180255	4001116 180354	
A silver	18.9 mm	18.0 mm	1.5 mm	19.0 mm	loose	4001116 180262	4001116 180361	
A silver	20.9 mm	18.0 mm	1.5 mm	21.0 mm	loose	4001116 180279	4001116 180378	

### clampline T-profile



ALX



Min. OU: 5 pcs.

- For edging plates
- The corresponding dimensions are of the profiles are specified as the inner dimension

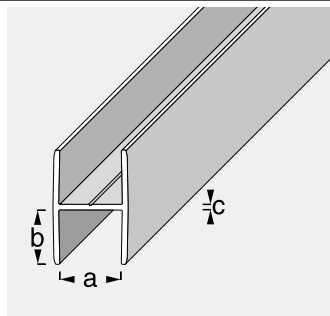
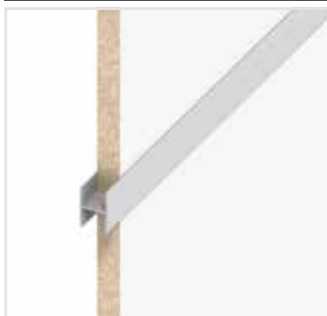
Anodized aluminium						length: 1.00 m		length: 2.00 m
Colour	Dim. a	Dim. b	Dim. c	Plate thickness	Packaging	EAN / Item no.	EAN / Item no.	
A silver	15.9 mm	14.0 mm	1.5 mm	16.0 mm	loose	4001116 180859	4001116 180958	

# Profiles for DIY and professional purposes

## clampline clamping profiles | Aluminium

### clampline H-profile

ALX



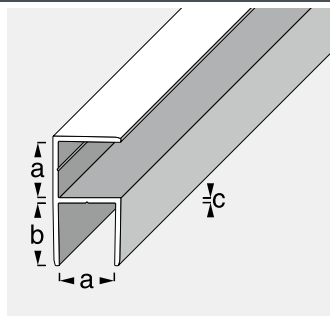
Min. OU: 5 pcs.

- For edging plates
- The corresponding dimensions are of the profiles are specified as the inner dimension

Anodized aluminium						length: 1.00 m	length: 2.00 m
Colour	Dim. a	Dim. b	Dim. c	Plate thickness	Packaging	EAN / Item no.	EAN / Item no.
A silver	5.9mm	9.0mm	1.5mm	6.0mm	loose	4001116 180415	4001116 180514
A silver	7.9mm	9.0mm	1.5mm	8.0mm	loose	4001116 180422	4001116 180521
A silver	9.9mm	11.0mm	1.5mm	10.0mm	loose	4001116 180439	4001116 180538
A silver	12.9mm	11.0mm	1.5mm	13.0mm	loose	4001116 180446	4001116 180545
A silver	15.9mm	14.0mm	1.5mm	16.0mm	loose	4001116 180453	4001116 180552
A silver	18.9mm	17.0mm	1.5mm	19.0mm	loose	4001116 180460	4001116 180569
A silver	20.9mm	17.0mm	1.5mm	21.0mm	loose	4001116 180477	4001116 180576

### clampline corner profile

ALX



Min. OU: 5 pcs.

- For edging plates
- The corresponding dimensions are of the profiles are specified as the inner dimension

Anodized aluminium						length: 1.00 m	length: 2.00 m
Colour	Dim. a	Dim. b	Dim. c	Plate thickness	Packaging	EAN / Item no.	EAN / Item no.
A silver	5.9mm	7.7mm	1.5mm	6.0mm	loose	4001116 180613	4001116 180712
A silver	7.9mm	9.7mm	1.5mm	8.0mm	loose	4001116 180620	4001116 180729
A silver	9.9mm	11.8mm	1.5mm	10.0mm	loose	4001116 180637	4001116 180736
A silver	12.9mm	14.9mm	1.5mm	13.0mm	loose	4001116 180644	4001116 180743
A silver	15.9mm	18.0mm	1.5mm	16.0mm	loose	4001116 180651	4001116 180750
A silver	18.9mm	21.1mm	1.5mm	19.0mm	loose	4001116 180668	4001116 180767
A silver	20.9mm	23.2mm	1.5mm	21.0mm	loose	4001116 180675	4001116 180774

# Profiles for DIY and professional purposes

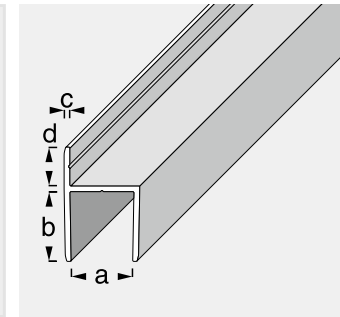
## clampline clamping profiles | Aluminium

### clampline hinge profile

ALX



Min. OU: 5 pcs.



- For edging plates
- The corresponding dimensions are of the profiles are specified as the inner dimension

Anodized aluminium							length: 1.00 m	length: 2.00 m
Colour	Dim. a	Dim. b	Dim. c	Dim. d	Plate thickness	Packaging	EAN / Item no.	EAN / Item no.
A silver	15.9mm	18.0mm	1.5mm	10.0mm	16.0mm	loose	4001116 181252	4001116 181351



Hardware catalogue | 97002 | 01 2017 | 77708

Profiles for DIY and professional purposes

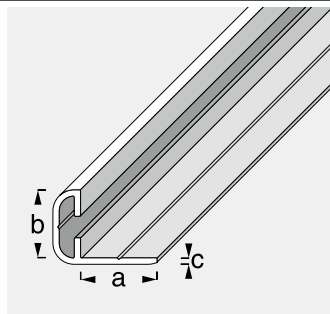


# Profiles for DIY and professional purposes

## clampsoft clamping profiles | Plastic

### clampsoft angle profile

PVC



Min. OU: 5 pcs.

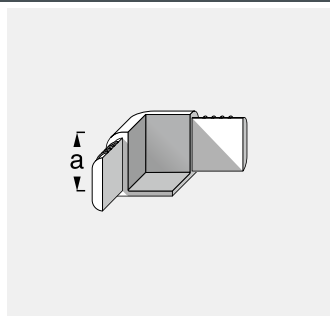
- There are the appropriate clampsoft corners for nice, rounded corners
- Please use the clampsoft corner here for angle profiles

#### Plastic (hard PVC)

Colour	Dim. a	Dim. b	Dim. c	Plate thickness	Packaging	length: 1.00 m	length: 2.00 m
						EAN/Item no.	EAN/Item no.
A white	6.0 mm	10.0 mm	1.5 mm	6.0 mm	loose	4001116 186417	4001116 186516
A white	8.0 mm	10.0 mm	1.5 mm	8.0 mm	loose	4001116 186424	4001116 186523
A white	10.0 mm	10.0 mm	1.5 mm	10.0 mm	loose	4001116 186431	4001116 186530
A white	13.0 mm	14.0 mm	1.5 mm	16.0 mm	loose	4001116 186448	4001116 186547
A white	16.0 mm	18.0 mm	1.5 mm	16.0 mm	loose	4001116 186455	4001116 186554
A white	19.0 mm	18.0 mm	1.5 mm	19.0 mm	loose	4001116 186462	4001116 186561
A white	21.0 mm	18.0 mm	1.5 mm	21.0 mm	loose	4001116 186479	4001116 186578

### clampsoft corner for angle profile

PA



Min. OU: 5 pcs.

#### Plastic (PA)

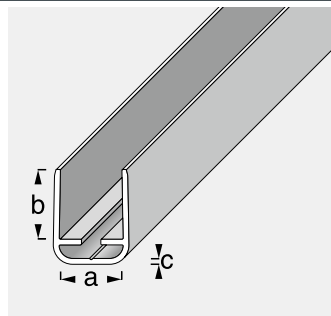
Colour	Dim. a	Plate thickness	PU	Packaging	EAN/Item no.
A white	5.9 mm	6.0 mm	2 pieces	SS box	4001116 189906
A white	7.9 mm	8.0 mm	2 pieces	SS box	4001116 189913
A white	9.9 mm	10.0 mm	2 pieces	SS box	4001116 189920
A white	12.9 mm	13.0 mm	2 pieces	SS box	4001116 189937
A white	15.9 mm	16.0 mm	2 pieces	SS box	4001116 189944
A white	18.9 mm	19.0 mm	2 pieces	SS box	4001116 189951
A white	20.9 mm	21.0 mm	2 pieces	SS box	4001116 189968

# Profiles for DIY and professional purposes

## clampsoft clamping profiles | Plastic

### clampsoft U-profile

PVC



Min. OU: 5 pcs.

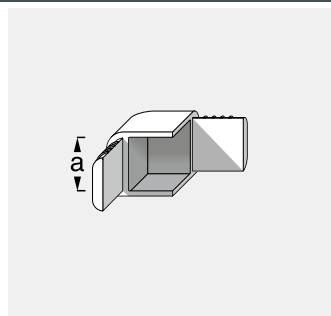
- There are the appropriate clampsoft corners for nice, rounded corners
- Please use the clampsoft corner here for U profiles

#### Plastic (hard PVC)

Colour	Dim. a	Dim. b	Dim. c	Plate thickness	Packaging	length: 1.00 m	length: 2.00 m
						EAN / Item no.	EAN / Item no.
A white	5.9 mm	10.0 mm	1.5 mm	6.0 mm	loose	4001116 18661 5	4001116 18671 4
A white	7.9 mm	10.0 mm	1.5 mm	8.0 mm	loose	4001116 18662 2	4001116 18672 1
A white	9.9 mm	10.0 mm	1.5 mm	10.0 mm	loose	4001116 18663 9	4001116 18673 8
A white	12.9 mm	14.0 mm	1.5 mm	13.0 mm	loose	4001116 18664 6	4001116 18674 5
A white	15.9 mm	18.0 mm	1.5 mm	16.0 mm	loose	4001116 18665 3	4001116 18675 2
A white	18.9 mm	18.0 mm	1.5 mm	19.0 mm	loose	4001116 18666 0	4001116 18676 9
A white	20.9 mm	18.0 mm	1.5 mm	21.0 mm	loose	4001116 18667 7	4001116 18677 6

### clampsoft corner for U-profile

PA



Min. OU: 5 pcs.

#### Plastic (PA)

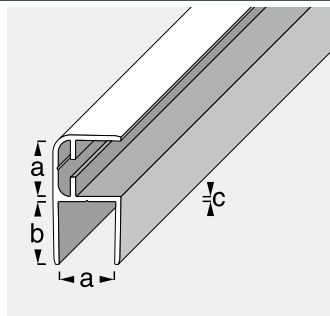
Colour	Dim. a	Plate thickness	PU	Packaging	EAN / Item no.
A white	5.9 mm	6.0 mm	2 pieces	SS box	4001116 18980 7
A white	7.9 mm	8.0 mm	2 pieces	SS box	4001116 18981 4
A white	9.9 mm	10.0 mm	2 pieces	SS box	4001116 18982 1
A white	12.9 mm	13.0 mm	2 pieces	SS box	4001116 18983 8
A white	15.9 mm	16.0 mm	2 pieces	SS box	4001116 18984 5
A white	18.9 mm	19.0 mm	2 pieces	SS box	4001116 18985 2
A white	20.9 mm	21.0 mm	2 pieces	SS box	4001116 18986 9

# Profiles for DIY and professional purposes

## clampsoft clamping profiles | Plastic

### clampsoft corner profile

PVC



Min. OU: 5 pcs.

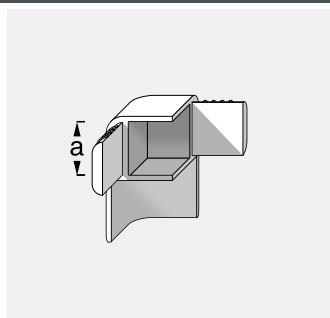
- There are the appropriate clampsoft corners for nice, rounded corners
- Please use the clampsoft corner here for corner profiles

#### Plastic (hard PVC)

Colour	Dim. a	Dim. b	Dim. c	Plate thickness	Packaging	length: 1.00 m	length: 2.00 m
						EAN/Item no.	EAN/Item no.
A white	12.9 mm	14.0 mm	1.5 mm	13.0 mm	loose	4001116 186844	4001116 186943
A white	15.9 mm	18.0 mm	1.5 mm	16.0 mm	loose	4001116 186851	4001116 186950
A white	18.9 mm	18.0 mm	1.5 mm	19.0 mm	loose	4001116 186868	4001116 186967
A white	20.9 mm	18.0 mm	1.5 mm	21.0 mm	loose	4001116 186875	4001116 186974

### clampsoft corner for corner profile

PA



Min. OU: 5 pcs.

#### Plastic (PA)

Colour	Dim. a	Plate thickness	PU	Packaging	EAN/Item no.
A white	12.9 mm	13.0 mm	2 pieces	SS box	4001116 189739
A white	15.9 mm	16.0 mm	2 pieces	SS box	4001116 189746
A white	18.9 mm	19.0 mm	2 pieces	SS box	4001116 189753
A white	20.9 mm	21.0 mm	2 pieces	SS box	4001116 189760

## Profiles for DIY and professional purposes









# Steel profiles





## Steel profiles

### Range overview

#### An overview of the production processes

All products in our steel profile range are subjected to a special surface treatment and refined. Thanks to the use of phosphating, our steel profiles come with a deep-acting, rust-inhibiting primer that is totally ecological – and can be instantly painted, welded, galvanised or otherwise worked.

#### Stainless steel

Depending on the alloy, stainless steel profiles are characterised by a high resistance to chemicals and are a good choice for many uses. Stainless steel is extremely popular in both public areas and domestic homes.

#### Hot-rolled steel

This production process uses high temperatures and low levels of force to shape the rolled material into profiles. The steel originally has mill scale but this is reliably removed through our special surface treatment process. A temporary, protective anti-corrosion coating is applied.

#### Galvanised steel

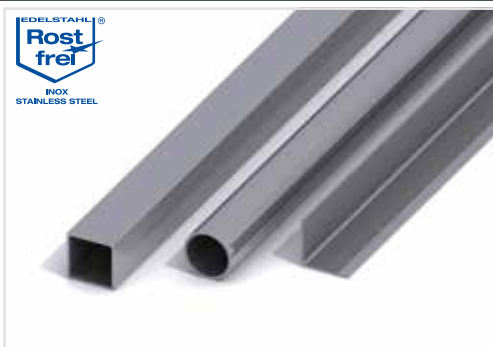
Galvanised steel offers perfect corrosion protection. Galvanising involves dipping the steel in molten zinc, with which it forms a firm bond. The zinc coating on steel profiles extends their service life by decades.

#### Cold-formed steel

This production process uses 'sheet steel coils'. Cold-formed steel with relatively high dimensional stability can only be produced with thin wall thicknesses.

#### Drawn steel

In this production process, the profile is drawn to form untreated steel. Untreated steel has a higher dimensional stability than hot-rolled steel.



# Steel profiles

## Range overview

### Standard profiles | Stainless steel

6.05–6.07



- Angle, equal-sided
- Angle, unequal-sided
- Flat bar
- Rectangular tube
- Round bar
- Round tube
- Square tube
- Square U

EDL

### Standard profiles | Steel, rolled

6.08–6.13



- Angle, equal-sided hot-rolled
- Angle, equal-sided in cold rolled steel
- Angle, unequal-sided in cold rolled steel
- Concrete-ribbed steel, hot-rolled
- Flat bar, hot-rolled
- Rectangular tube
- Round bar, hot-rolled
- Round tube in cold rolled steel
- Square bar, hot-rolled
- Square bar, hot-rolled, coiled
- Square tube, cold-rolled
- T-profile, hot-rolled
- U-profile

STA

### Standard profiles | Steel, galvanized

6.14–6.15



- Angle, equal-sided in cold rolled steel, galvanized
- Angle, unequal-sided in cold rolled steel, galvanized
- Flat bar, cold-rolled, galvanized
- U-profile, cold-rolled, galvanized

STA

### Standard profiles | Steel, drawn

6.15–6.16



- Flat bar, drawn steel
- Round bar, drawn steel
- Square bar, drawn steel

STA

### Standard profiles | ferroplatan<sup>®</sup>

6.17



- Angle, equal-sided, **ferroplatan<sup>®</sup>**
- Bracket, equal-sided, self-adhesive, **ferroplatan<sup>®</sup>**

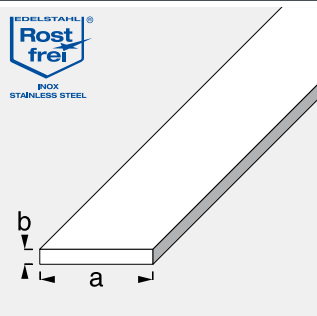
STA

# Steel profiles

## Standard profiles | Stainless steel

### Flat bar

EDL

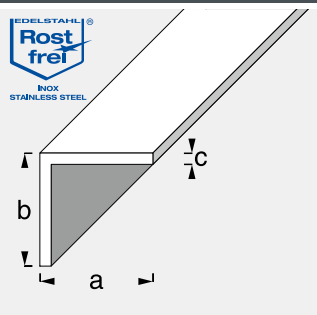


Min. OU: 5 pcs.

Stainless steel V2A				length: 1.00 m	length: 2.00 m
Colour	Dim. a	Dim. b	Packaging	EAN / Item no.	EAN / Item no.
A stainless steel	15.0 mm	1.5 mm	loose	4001116340109	4001116341106
A stainless steel	20.0 mm	1.5 mm	loose	4001116340116	4001116341113
A stainless steel	25.0 mm	1.5 mm	loose	4001116340123	4001116341120

### Angle, equal-sided

EDL

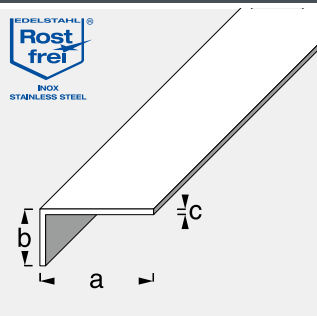


Min. OU: 5 pcs.

Stainless steel V2A					length: 1.00 m	length: 2.00 m	length: 2.50 m
Colour	Dim. a	Dim. b	Dim. c	Packaging	EAN / Item no.	EAN / Item no.	EAN / Item no.
A stainless steel	10.0 mm	10.0 mm	0.5 mm	loose	4001116340406	4001116341403	4001116341809
A stainless steel	15.0 mm	15.0 mm	0.5 mm	loose	4001116340413	4001116341410	4001116341816
A stainless steel	20.0 mm	20.0 mm	0.5 mm	loose	4001116340420	4001116341427	4001116341823
A stainless steel	25.0 mm	25.0 mm	0.5 mm	loose	4001116340437	4001116341434	4001116341830
A stainless steel	30.0 mm	30.0 mm	0.8 mm	loose	4001116340444	4001116341441	4001116341847
A stainless steel	40.0 mm	40.0 mm	0.8 mm	loose	4001116340451		4001116341854
A stainless steel	50.0 mm	50.0 mm	0.8 mm	loose	4001116340468		4001116341861
A stainless steel	60.0 mm	60.0 mm	0.8 mm	loose	4001116340475		4001116341878

### Angle, unequal-sided

EDL



Min. OU: 5 pcs.

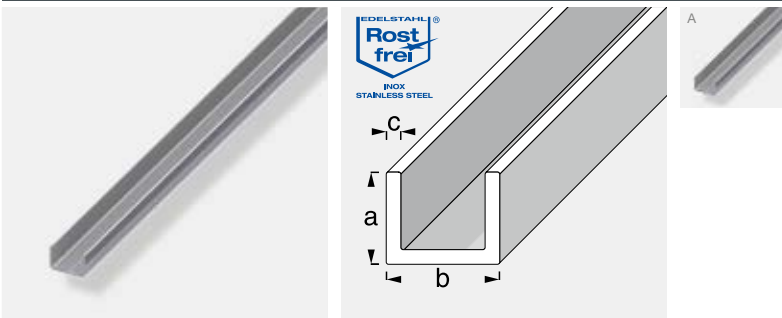
Stainless steel V2A				length: 1.00 m	length: 2.00 m	
Colour	Dim. a	Dim. b	Dim. c	Packaging	EAN / Item no.	EAN / Item no.
A stainless steel	25.0 mm	15.0 mm	0.5 mm	loose	4001116340512	4001116341519

# Steel profiles

## Standard profiles | Stainless steel

### Square U

EDL

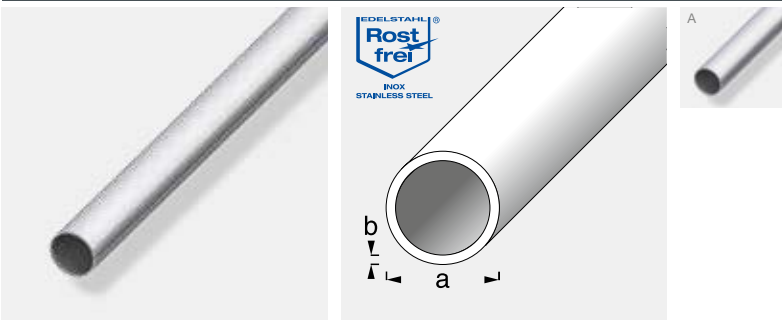


Min. OU: 5 pcs.

Stainless steel V2A					length: 1.00 m	length: 2.00 m
Colour	Dim. a	Dim. b	Dim. c	Packaging	EAN / Item no.	EAN / Item no.
A stainless steel	10.0mm	15.0mm	1.0mm	loose	4001116340628	4001116341625

### Round tube

EDL

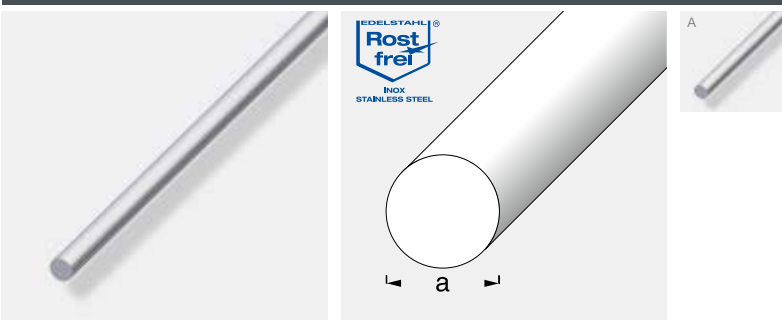


Min. OU: 5 pcs.

Stainless steel V2A				length: 1.00 m	length: 2.00 m
Colour	Dim. a	Dim. b	Packaging	EAN / Item no.	EAN / Item no.
A stainless steel	6.0mm	1.0mm	loose	4001116340208	4001116341205
A stainless steel	8.0mm	1.0mm	loose	4001116340215	4001116341212
A stainless steel	10.0mm	1.0mm	loose	4001116340222	4001116341229
A stainless steel	15.0mm	1.0mm	loose	4001116340239	4001116341236
A stainless steel	20.0mm	1.0mm	loose	4001116340246	4001116341243

### Round bar

EDL



Min. OU: 5 pcs.

Stainless steel V2A			length: 1.00 m	length: 2.00 m
Colour	Dim. a	Packaging	EAN / Item no.	EAN / Item no.
A stainless steel	6.0mm	loose	4001116340307	4001116341304
A stainless steel	8.0mm	loose	4001116340314	4001116341311
A stainless steel	10.0mm	loose	4001116340321	4001116341328

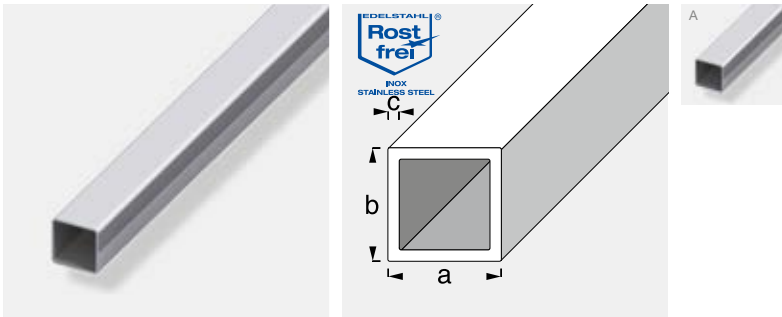


# Steel profiles

## Standard profiles | Stainless steel

### Square tube

EDL

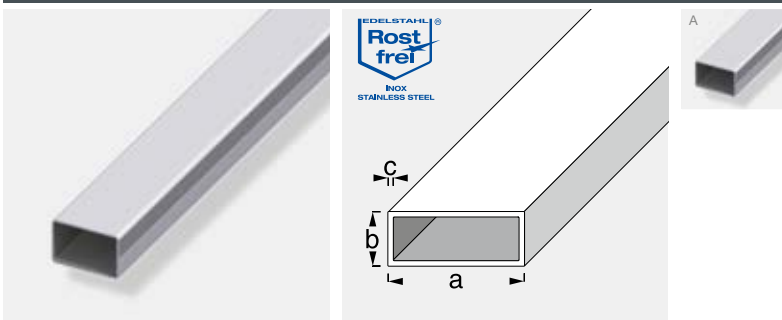


Min. OU: 5 pcs.

Stainless steel V2A					length: 1.00 m	length: 2.00 m
Colour	Dim. a	Dim. b	Dim. c	Packaging	EAN / Item no.	EAN / Item no.
A stainless steel	15.0 mm	15.0 mm	1.0 mm	loose	4001116340703	4001116341700
A stainless steel	20.0 mm	20.0 mm	1.0 mm	loose	4001116340710	4001116341717
A stainless steel	25.0 mm	25.0 mm	1.2 mm	loose	4001116340727	4001116341724

### Rectangular tube

EDL



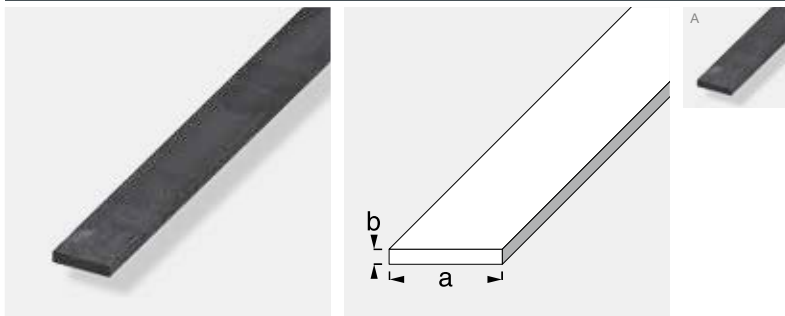
Min. OU: 5 pcs.

Stainless steel V2A					length: 1.00 m	length: 2.00 m
Colour	Dim. a	Dim. b	Dim. c	Packaging	EAN / Item no.	EAN / Item no.
A stainless steel	20.0 mm	10.0 mm	1.5 mm	loose	4001116340734	4001116341731
A stainless steel	30.0 mm	20.0 mm	1.2 mm	loose	4001116340741	4001116341748

# Steel profiles

## Standard profiles | Steel, rolled

### Flat bar, hot-rolled



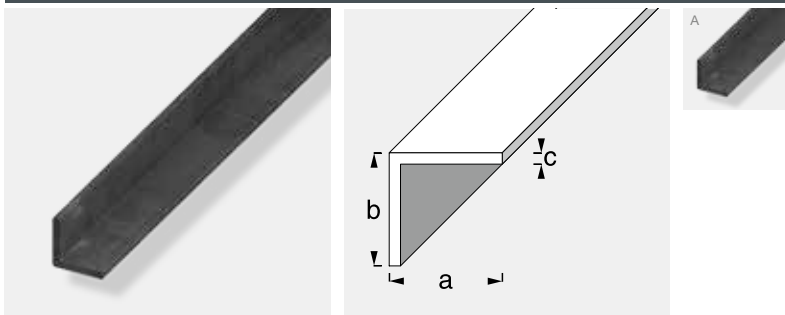
STA



Min. OU: 5 pcs.

Steel, hot-rolled				length: 1.00 m	length: 2.00 m	length: 2.50 m
Colour	Dim. a	Dim. b	Packaging	EAN/Item no.	EAN/Item no.	EAN/Item no.
A steel grey	10.0 mm	4.0 mm	loose	4001116343100	4001116345104	
A steel grey	12.0 mm	4.0 mm	loose	4001116343117	4001116345111	
A steel grey	14.0 mm	5.0 mm	loose	4001116343124	4001116345128	
A steel grey	20.0 mm	4.0 mm	loose	4001116343131	4001116345135	4001116348136
A steel grey	20.0 mm	8.0 mm	loose	4001116343148	4001116345142	
A steel grey	25.0 mm	4.0 mm	loose	4001116343155	4001116345159	4001116348150
A steel grey	25.0 mm	6.0 mm	loose	4001116343179	4001116345173	
A steel grey	30.0 mm	4.0 mm	loose	4001116343186	4001116345180	4001116348181
A steel grey	30.0 mm	6.0 mm	loose	4001116343193	4001116345197	
A steel grey	35.0 mm	6.0 mm	loose	4001116343209	4001116345203	4001116348204
A steel grey	40.0 mm	8.0 mm	loose	4001116343216	4001116345210	

### Angle, equal-sided hot-rolled



STA



Min. OU: 5 pcs.

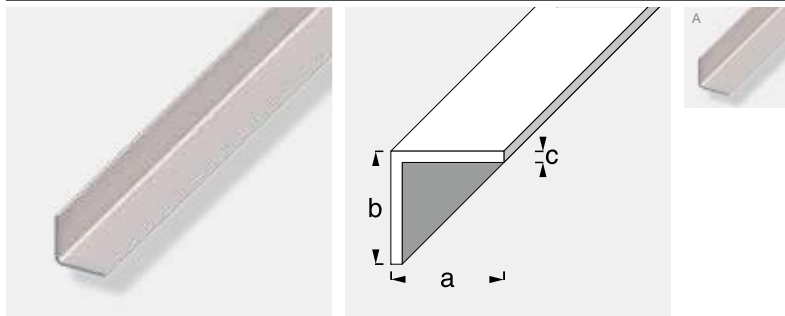
Steel, hot-rolled				length: 1.00 m	length: 2.00 m	length: 2.50 m	
Colour	Dim. a	Dim. b	Dim. c	Packaging	EAN/Item no.	EAN/Item no.	EAN/Item no.
A steel grey	20.0 mm	20.0 mm	3.0 mm	loose	4001116343643	4001116345647	4001116348648
A steel grey	25.0 mm	25.0 mm	3.0 mm	loose	4001116343650	4001116345654	4001116348655
A steel grey	30.0 mm	30.0 mm	3.0 mm	loose	4001116343667	4001116345661	4001116348662
A steel grey	35.0 mm	35.0 mm	3.0 mm	loose	4001116343674	4001116345678	4001116348679
A steel grey	40.0 mm	40.0 mm	3.0 mm	loose	4001116343681	4001116345685	

# Steel profiles

## Standard profiles | Steel, rolled

### Angle, equal-sided in cold rolled steel

STA

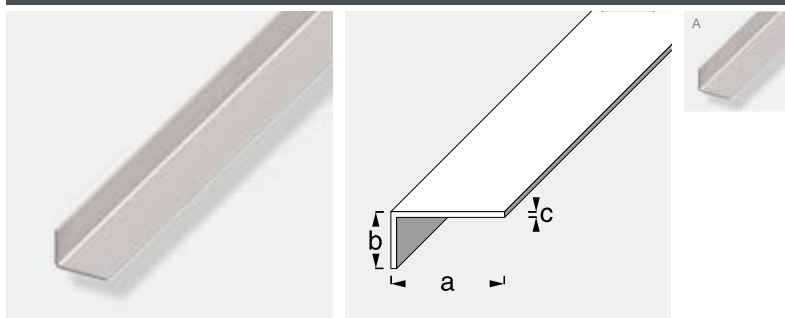


Min. OU: 5 pcs.

Steel, cold-rolled					length: 1.00 m	length: 2.00 m
Colour	Dim. a	Dim. b	Dim. c	Packaging	EAN/Item no.	EAN/Item no.
A steel grey	10.0mm	10.0mm	1.0mm	loose	4001116343605	4001116345609
A steel grey	15.0mm	15.0mm	1.0mm	loose	4001116343612	4001116345616
A steel grey	20.0mm	20.0mm	1.25mm	loose	4001116343629	4001116345623
A steel grey	25.0mm	25.0mm	1.25mm	loose	4001116343636	4001116345630

### Angle, unequal-sided in cold rolled steel

STA

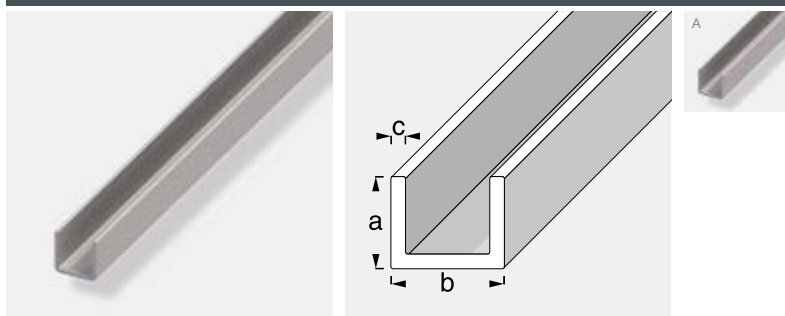


Min. OU: 5 pcs.

Steel, cold-rolled					length: 1.00 m	length: 2.00 m
Colour	Dim. a	Dim. b	Dim. c	Packaging	EAN/Item no.	EAN/Item no.
A steel grey	20.0mm	15.0mm	1.25mm	loose	4001116343704	4001116345708

### U-profile

STA



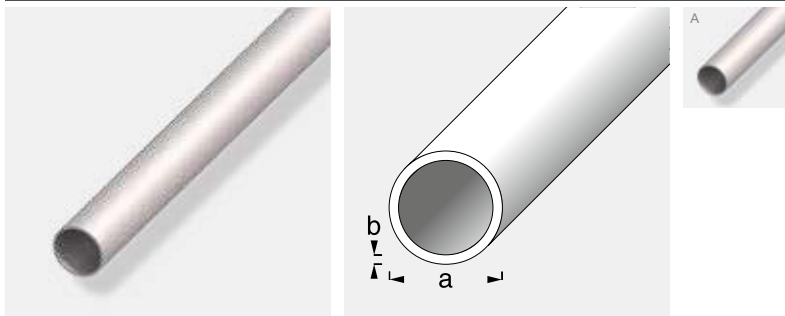
Min. OU: 5 pcs.

Steel, cold-rolled					length: 1.00 m	length: 2.00 m
Colour	Dim. a	Dim. b	Dim. c	Packaging	EAN/Item no.	EAN/Item no.
A steel grey	10.0mm	10.0mm	1.0mm	loose	4001116343803	4001116345807
A steel grey	11.0mm	9.0mm	1.0mm	loose	4001116343810	4001116345814
A steel grey	16.0mm	16.0mm	1.5mm	loose	4001116343827	4001116345821
A steel grey	20.0mm	20.0mm	1.5mm	loose	4001116343834	4001116345838

# Steel profiles

## Standard profiles | Steel, rolled

### Round tube in cold rolled steel

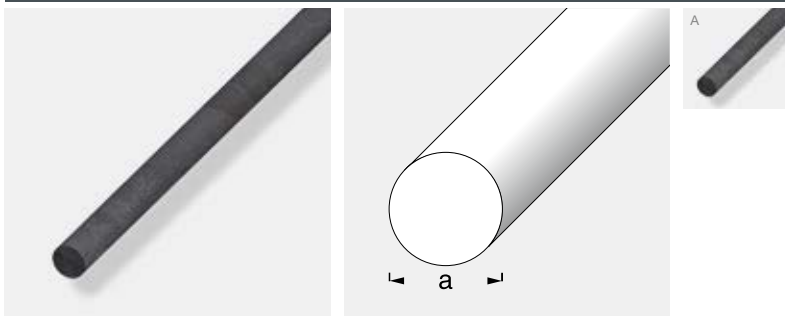


STA

Min. OU: 5 pcs.

Steel, cold-rolled				length: 1.00 m	length: 2.00 m
Colour	Dim. a	Dim. b	Packaging	EAN / Item no.	EAN / Item no.
A steel grey	6.0mm	1.0mm	loose	4001116 343308	4001116 345302
A steel grey	8.0mm	1.0mm	loose	4001116 343315	4001116 345319
A steel grey	10.0mm	1.0mm	loose	4001116 343322	4001116 345326
A steel grey	12.0mm	1.0mm	loose	4001116 343339	4001116 345333
A steel grey	14.0mm	1.0mm	loose	4001116 343346	4001116 345340
A steel grey	15.0mm	1.0mm	loose	4001116 343353	4001116 345357
A steel grey	16.0mm	1.0mm	loose	4001116 343360	4001116 345364
A steel grey	20.0mm	1.25 mm	loose	4001116 343377	4001116 345371
A steel grey	22.0mm	1.0mm	loose	4001116 343384	4001116 345388
A steel grey	25.0mm	1.5 mm	loose	4001116 343407	4001116 345401

### Round bar, hot-rolled



STA

Min. OU: 5 pcs.

Steel, hot-rolled				length: 1.00 m	length: 2.00 m
Colour	Dim. a		Packaging	EAN / Item no.	EAN / Item no.
A steel grey	6.0 mm		loose	4001116 343506	4001116 345500
A steel grey	8.0 mm		loose	4001116 343513	4001116 345517
A steel grey	10.0 mm		loose	4001116 343520	4001116 345524
A steel grey	12.0 mm		loose	4001116 343537	4001116 345531
A steel grey	16.0 mm		loose	4001116 343544	4001116 345548

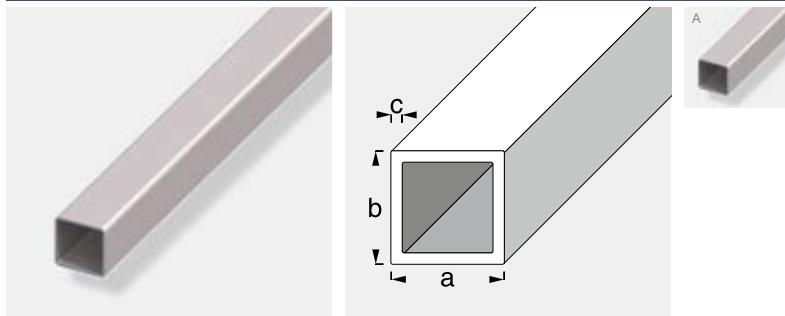
Hardware catalogue | 97002 | 01 2017 | 77708

# Steel profiles

## Standard profiles | Steel, rolled

### Square tube, cold-rolled

STA

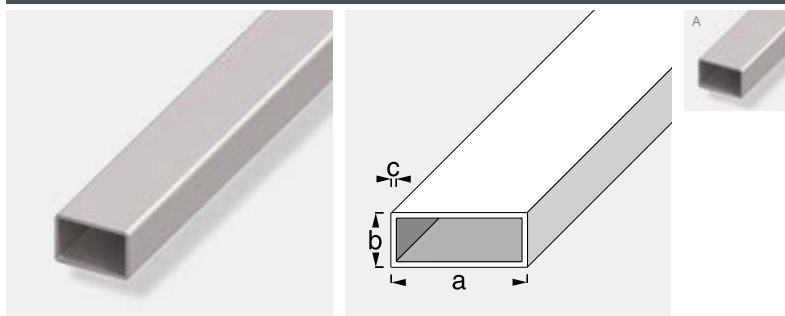


Min. OU: 5 pcs.

Steel, cold-rolled					length: 1.00 m	length: 2.00 m	length: 2.50 m
Colour	Dim. a	Dim. b	Dim. c	Packaging	EAN/Item no.	EAN/Item no.	EAN/Item no.
A steel grey	10.0 mm	10.0 mm	1.0 mm	loose	4001116343902	4001116345906	
A steel grey	12.0 mm	12.0 mm	1.0 mm	loose	4001116343919	4001116345913	
A steel grey	14.0 mm	14.0 mm	1.0 mm	loose	4001116343926		
A steel grey	15.0 mm	15.0 mm	1.0 mm	loose	4001116343933	4001116345937	
A steel grey	16.0 mm	16.0 mm	1.0 mm	loose	4001116343940	4001116345944	
A steel grey	20.0 mm	20.0 mm	1.25 mm	loose	4001116343964	4001116345968	4001116348969
A steel grey	25.0 mm	25.0 mm	1.5 mm	loose	4001116343971	4001116345975	4001116348976
A steel grey	30.0 mm	30.0 mm	1.5 mm	loose	4001116343988	4001116345982	4001116348983
A steel grey	35.0 mm	35.0 mm	1.5 mm	loose	4001116343995	4001116345999	

### Rectangular tube

STA



Min. OU: 5 pcs.

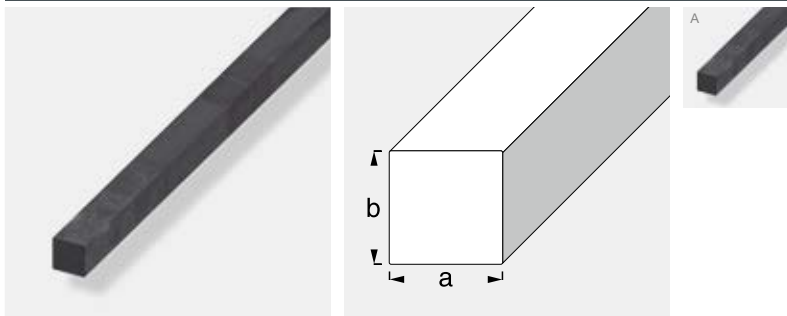
Steel, cold-rolled					length: 1.00 m	length: 2.00 m	length: 2.50 m
Colour	Dim. a	Dim. b	Dim. c	Packaging	EAN/Item no.	EAN/Item no.	EAN/Item no.
A steel grey	30.0 mm	20.0 mm	1.5 mm	loose	4001116344107	4001116346101	
A steel grey	35.0 mm	20.0 mm	1.5 mm	loose	4001116344114	4001116346118	4001116349119
A steel grey	40.0 mm	25.0 mm	2.0 mm	loose	4001116344121	4001116346125	
A steel grey	40.0 mm	27.0 mm	1.5 mm	loose	4001116344138	4001116346132	



# Steel profiles

## Standard profiles | Steel, rolled

### Square bar, hot-rolled



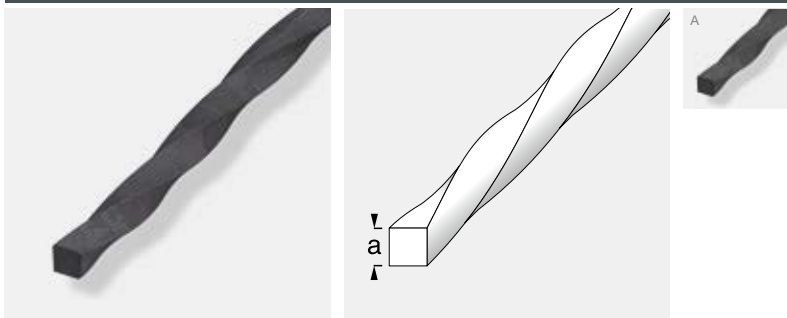
STA



Min. OU: 5 pcs.

Steel, hot-rolled				length: 1.00 m	length: 2.00 m
Colour	Dim. a	Dim. b	Packaging	EAN / Item no.	EAN / Item no.
A steel grey	6.0mm	6.0mm	loose	4001116344206	4001116346200
A steel grey	8.0mm	8.0mm	loose	4001116344213	4001116346217
A steel grey	10.0mm	10.0mm	loose	4001116344220	4001116346224
A steel grey	12.0mm	12.0mm	loose	4001116344237	4001116346231
A steel grey	14.0mm	14.0mm	loose	4001116344244	4001116346248

### Square bar, hot-rolled, coiled



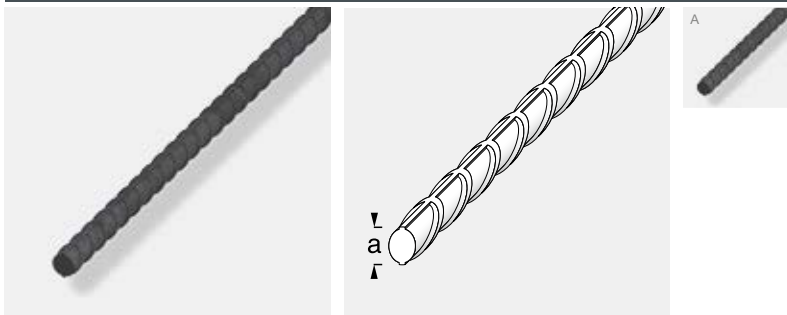
STA



Min. OU: 5 pcs.

Steel, coiled				length: 1.00 m	length: 2.00 m
Colour	Dim. a	Packaging	EAN / Item no.	EAN / Item no.	
A steel grey	10.0mm	loose	4001116344404	4001116346408	
A steel grey	12.0mm	loose	4001116344411	4001116346415	
A steel grey	14.0mm	loose	4001116344428	4001116346422	

### Concrete-ribbed steel, hot-rolled



STA



Min. OU: 5 pcs.

Steel				length: 1.00 m	length: 2.00 m
Colour	Dim. a	Packaging	EAN / Item no.	EAN / Item no.	
A steel grey	6.0mm	loose	4001116344435	4001116346439	
A steel grey	8.0mm	loose	4001116344442	4001116346446	
A steel grey	10.0mm	loose	4001116344459	4001116346453	

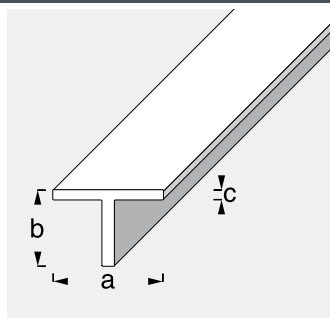
Hardware catalogue | 97002 | 01 2017 | 77708

## Steel profiles

### Standard profiles | Steel, rolled

#### T-profile, hot-rolled

STA



Min. OU: 5 pcs.

Steel, hot-rolled					length: 1.00 m	length: 2.00 m
Colour	Dim. a	Dim. b	Dim. c	Packaging	EAN/Item no.	EAN/Item no.
A steel grey	20.0 mm	20.0 mm	3.0 mm	loose	4001116344305	4001116346309
A steel grey	25.0 mm	25.0 mm	3.5 mm	loose	4001116344312	4001116346316

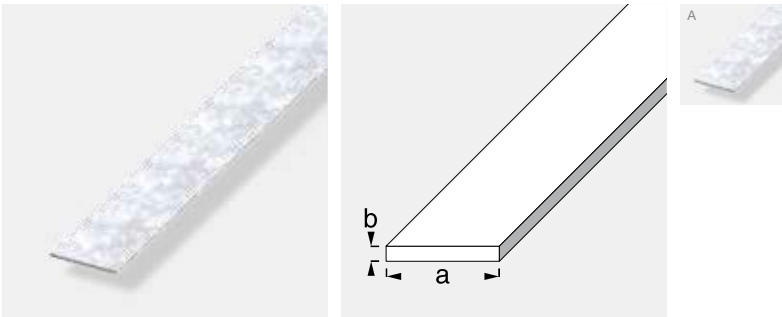


# Steel profiles

## Standard profiles | Steel, galvanized

### Flat bar, cold-rolled, galvanized

STA

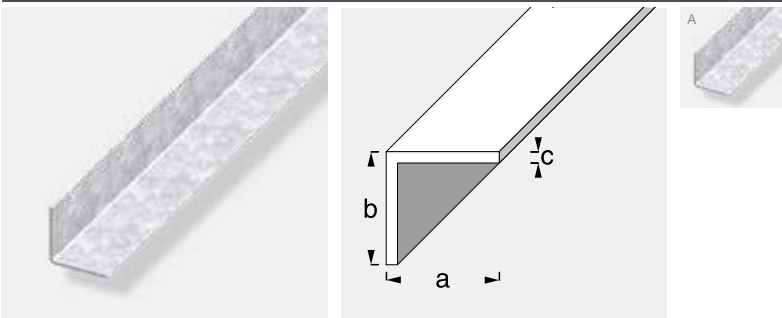


Min. OU: 5 pcs.

Galvanized steel				length: 1.00 m	length: 2.00 m	length: 2.50 m
Colour	Dim. a	Dim. b	Packaging	EAN/Item no.	EAN/Item no.	EAN/Item no.
A galvanized	23.5 mm	1.2 mm	loose	4001116394065	4001116394164	4001116394263
A galvanized	35.5 mm	1.5 mm	loose	4001116394003	4001116394102	4001116394201

### Angle, equal-sided in cold rolled steel, galvanized

STA

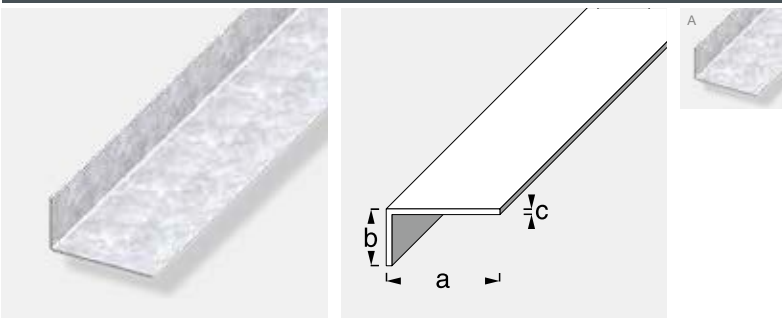


Min. OU: 5 pcs.

Galvanized steel				length: 1.00 m	length: 2.00 m	length: 2.50 m
Colour	Dim. a	Dim. b	Dim. c	Packaging	EAN/Item no.	EAN/Item no.
A galvanized	15.5 mm	15.5 mm	0.75 mm	loose	4001116394010	4001116394119
A galvanized	23.5 mm	23.5 mm	1.2 mm	loose	4001116394027	4001116394126
A galvanized	35.5 mm	35.5 mm	1.5 mm	loose	4001116394034	4001116394133

### Angle, unequal-sided in cold rolled steel, galvanized

STA



Min. OU: 5 pcs.

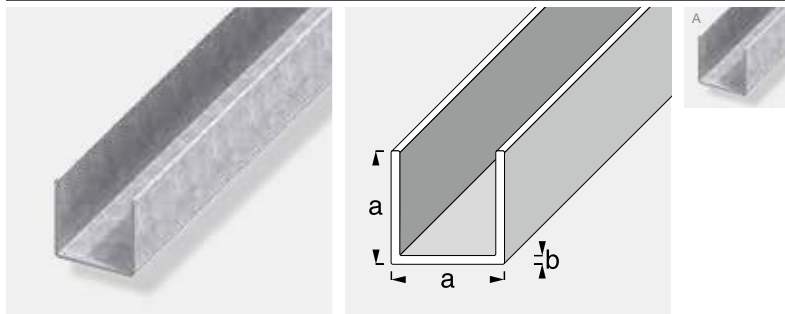
Galvanized steel				length: 1.00 m	length: 2.00 m	length: 2.50 m
Colour	Dim. a	Dim. b	Dim. c	Packaging	EAN/Item no.	EAN/Item no.
A galvanized	43.5 mm	23.5 mm	1.2 mm	loose	4001116394041	4001116394140
A galvanized	65.6 mm	35.5 mm	1.5 mm	loose	4001116394058	4001116394157

# Steel profiles

## Standard profiles | Steel, galvanized | Steel, drawn

### U-profile, cold-rolled, galvanized

STA

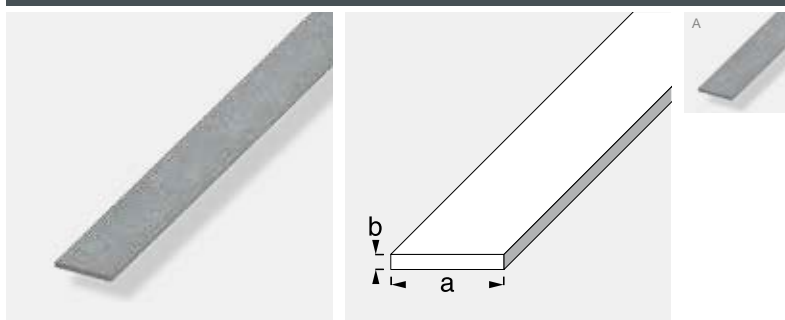


Min. OU: 5 pcs.

Galvanized steel				length: 1.00 m	length: 2.00 m	length: 2.50 m
Colour	Dim. a	Dim. b	Packaging	EAN / Item no.	EAN / Item no.	EAN / Item no.
A galvanized	35.5 mm	1.5 mm	loose	400111639407 2	400111639417 1	400111639427 0

### Flat bar, drawn steel

STA

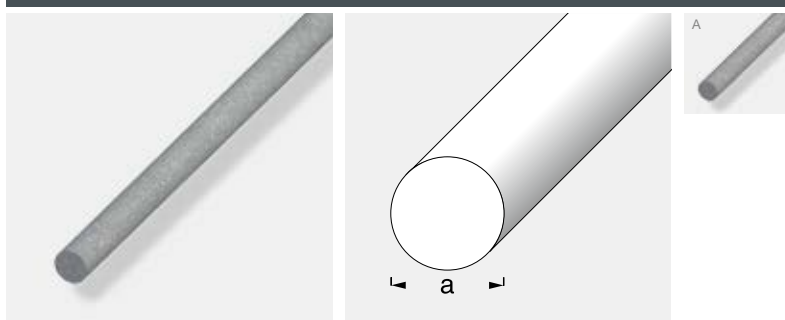


Min. OU: 5 pcs.

Steel, drawn				length: 1.00 m
Colour	Dim. a	Dim. b	Packaging	EAN / Item no.
A steel grey	10.0 mm	2.0 mm	loose	400111634450 3
A steel grey	16.0 mm	2.0 mm	loose	400111634451 0
A steel grey	20.0 mm	2.0 mm	loose	400111634452 7
A steel grey	25.0 mm	2.0 mm	loose	400111634453 4
A steel grey	30.0 mm	2.0 mm	loose	400111634454 1

### Round bar, drawn steel

STA



Min. OU: 5 pcs.

Steel, drawn				length: 1.00 m
Colour	Dim. a	Packaging	EAN / Item no.	
A steel grey	4.0 mm	loose	400111634460 2	
A steel grey	5.0 mm	loose	400111634461 9	
A steel grey	6.0 mm	loose	400111634462 6	
A steel grey	8.0 mm	loose	400111634463 3	
A steel grey	10.0 mm	loose	400111634464 0	
A steel grey	12.0 mm	loose	400111634465 7	

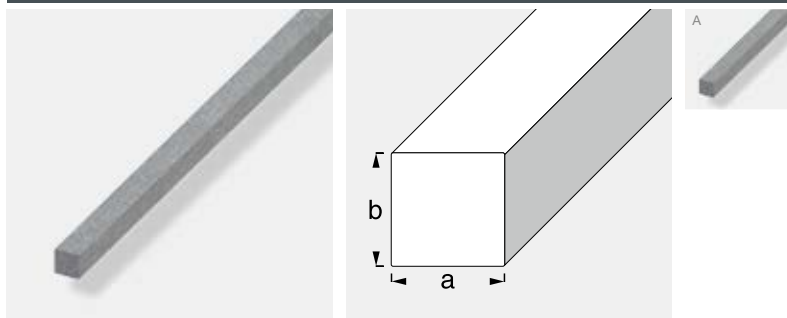


# Steel profiles

## Standard profiles | Steel, drawn

### Square bar, drawn steel

STA



Min. OU: 5 pcs.

Steel, drawn					length: 1.00 m
Colour	Dim. a	Dim. b	Packaging	EAN/Item no.	
A steel grey	4.0 mm	4.0 mm	loose	400111634470 1	
A steel grey	5.0 mm	5.0 mm	loose	400111634471 8	
A steel grey	6.0 mm	6.0 mm	loose	400111634472 5	
A steel grey	7.0 mm	7.0 mm	loose	400111634473 2	
A steel grey	8.0 mm	8.0 mm	loose	400111634474 9	



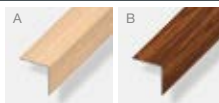
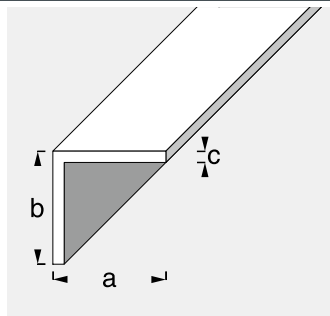


## Steel profiles

### Standard profiles | ferroplatan<sup>®</sup>

#### Angle, equal-sided, ferroplatan<sup>®</sup>

STA



Min. OU: 5 pcs.

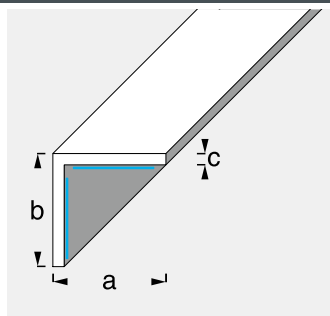
#### ferroplatan<sup>®</sup>, steel

length: 1.00 m

Colour	Dim. a	Dim. b	Dim. c	Packaging	EAN / Item no.
A wood decor, light	15.5 mm	15.5 mm	0.8 mm	shrink-wrapped	4001116 359408
A wood decor, light	20.0 mm	20.0 mm	0.8 mm	shrink-wrapped	4001116 359422
B wood decor, dark	15.5 mm	15.5 mm	0.8 mm	shrink-wrapped	4001116 359415
B wood decor, dark	20.0 mm	20.0 mm	0.8 mm	shrink-wrapped	4001116 359439

#### Bracket, equal-sided, self-adhesive, ferroplatan<sup>®</sup>

STA



Min. OU: 5 pcs.

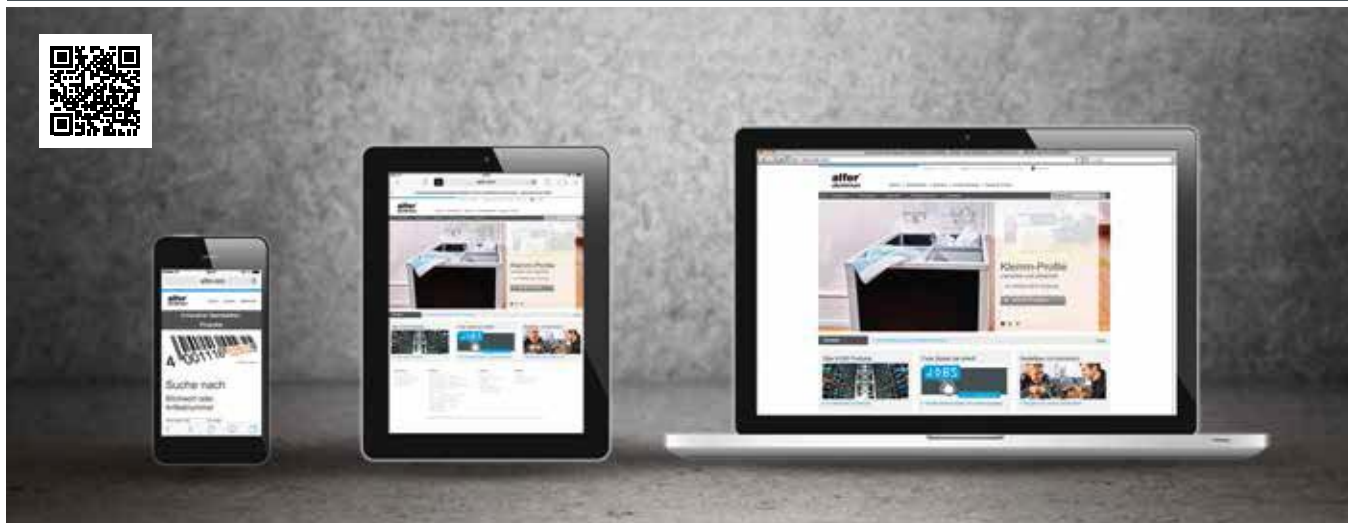
#### ferroplatan<sup>®</sup>, steel, self-adhesive

length: 1.00 m

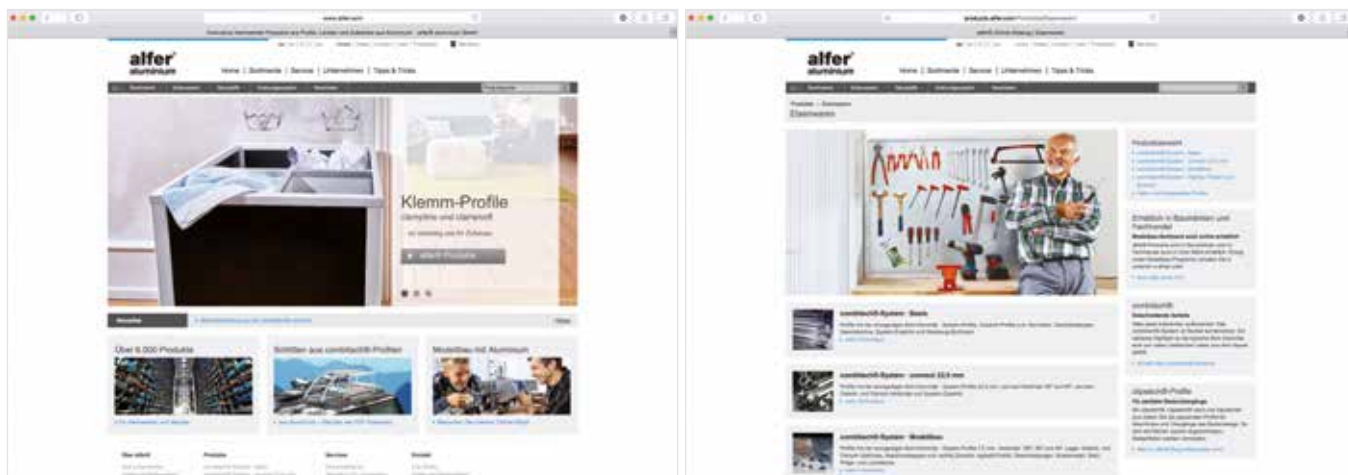
Colour	Dim. a	Dim. b	Dim. c	Packaging	EAN / Item no.
A wood decor, light	20.0 mm	20.0 mm	0.8 mm	shrink-wrapped	4001116 359521
B wood decor, dark	20.0 mm	20.0 mm	0.8 mm	shrink-wrapped	4001116 359538

# Hardware catalogue Index

alfer<sup>®</sup> makes you mobile



Information about **alfer**<sup>®</sup> and the full product range plus plenty of other useful information can be found online. Our website is also optimised for mobile devices and tablets. Wherever you are, you can find what you are looking for – quickly and clearly.



## Start browsing and get enjoying!

The complete product catalogue can also be downloaded in PDF format from our website [www.alfer.com](http://www.alfer.com), where you will also find many other useful services and suggestions in relation to the fascinating **alfer**<sup>®</sup> product world.

For example, look forward to plenty of practical tips and tricks for existing and budding DIY enthusiasts. Get inspiration from our refined building ideas. Use our comprehensive download area to obtain catalogues, brochures and building instructions. And make sure you take a look at our helpful application and product videos. They are well worth watching!

We look forward to your visit to [www.alfer.com](http://www.alfer.com)

# Hardware catalogue

## Index

### alfer<sup>®</sup> ranges



#### **combitech<sup>®</sup> system | Basis**

Everything fits together:

The **combitech<sup>®</sup>** system: flexibly combinable. One product highlight is the typical drill alignment groove – just one of many practical ideas from **alfer<sup>®</sup>**. For example, this marks the opposite sides of a rounded pipe making vertical drilling through the middle easy. The Basis range from **combitech<sup>®</sup>** comprises standard aluminium and plastic profiles such as pipes, brackets, square tubes and much, much more.



#### **combitech<sup>®</sup> system | connect 23.5 mm**

The **combitech<sup>®</sup>** connect connectors can be used to simply connect 23.5 mm square tubes. Whether frames, shelves or anything else you wish to build, the stable polyamide connectors hold everything together. The connectors are available in two colours: black and white.



#### **combitech<sup>®</sup> system | Sheets, plates and accessories**

A huge selection of sheets provides the right product for many applications. The **alfer<sup>®</sup>** sheets come in many different thicknesses and materials. Multiple different finish options are also available from functional to decorative.

#### **Primatech and Multitube:**

The profiles for framing and stabilising the sheets are particularly practical. **alfer<sup>®</sup>** offers clever options to this end through Primatech and Multitube.



#### **combitech<sup>®</sup> system | logika<sup>®</sup>**

**logika<sup>®</sup>** is a new addition to the **combitech<sup>®</sup>** systems in the form of a logically perforated profile. **logika<sup>®</sup>** profiles enable you to build shelves, tables, steps, and much more. This will enable you to create order in rooms or vehicles. The holes in the profiles are made in such a way that they are as small as possible but as big as necessary to ensure high stability and so that, for example, at least three brackets will fit on top of each other and a further bracket can be screwed in place vertically to the others. The profiles are particularly suited for use in cold-storage rooms, cellars and wet areas.



#### **Profiles for DIY and professional purposes**

Flat bars, brackets with even and uneven branches, U-profiles, round bars, rectangular tubes and a whole range of other profiles. These form the basis for you to turn your ideas into reality. The classic semi-finished products for DIY enthusiasts and professionals are made from aluminium with anodised or untreated finishes, as well as many other materials.



#### **Steel profiles**

Steel is the most commonly used metallic material and offers an array of impressive benefits: high tensile strength, good malleability and thermal conductivity. The noteworthy material strength and rigidity ensure optimum stability. Furthermore, steel is extremely easy to work and resource-conserving as it can be recycled without any loss of quality. **alfer<sup>®</sup>** steel profiles are available as flat, angle, U, T, round and square profiles and tubes as well as in the form of sectional steel and wide-flanged beams.



#### **combitech<sup>®</sup> system | Model construction**

**alfer<sup>®</sup>** has a special place in its heart for model builders. Model builders can therefore also acquire **combitech<sup>®</sup>** connect connectors for 7.5 mm profiles. Numerous special shapes such as the 150° angle connector are also available. The popular benefits such as the drill alignment groove and the easy-to-combine dimensions also prove their worth in the model construction range.

Discover the full diversity of the model construction range in the online shop: [www.alfer-shop.com](http://www.alfer-shop.com)

# Hardware catalogue

## Index

### alfer® ranges



#### combitech® system | coaxis®

A further addition to the **combitech**® system is the **coaxis**® profile. This consists of four hollow chambers coaxially located around the core. The special design of the aluminium profiles ensure excellent longitudinal and lateral stability with the lowest weight. Equipped with drill alignment holes, the profiles are extremely simple to use and the angle bracket and hook can even be installed without drilling, using simply a square nut and screw. The profiles are ideal for use in damp areas and can even be used in the garden thanks to their weather-resistance.



#### Storage range

The broad version of the **coaxis**® profile can be horizontally, vertically and diagonally attached to walls and ceilings, allowing you to make optimal use of the available space. With the right hook, everything finds a place, whether indoors or out. Whether in the garden, the garage, the cellar or the attic: everything can be securely stored. The rubber caps on the hooks ensure that nothing gets scratched. The **coaxis**® hooks are available in aluminium or galvanised steel. The **alfer**® bicycle stand is made of lightweight, weather-resistant aluminium. It is suitable for all bikes, from racing bikes and city bikes to mountain bikes. It comes either as a rigid or an infinitely adjustable version, individually or as a three-piece set.



#### Tile edgings

Clean edges and finishes with aluminium profiles. Whether you lay your tiles yourself or have them laid by a specialist, there is one important 'side issue' that you should never forget. The **alfer**® profiles can be used on corners and edges, transitions between floor coverings and stairways. Clean edges and transitions not only look good but are also hygienic as they prevent any fraying or scuffing and improve water-resistance.



#### Floor and room profiles

Transitions between different floor coverings, a clean and protective edging or stair edges, all available in a whole range of colours, materials and décors. The stair profiles provide safety and particularly protect textile coverings against scuffing on the edges, ensuring they retain their visual appeal for many years. The profiles are extremely colour stable and completely crush-proof. For minor damage to aged stairs, **alfer**® offers stair repair brackets for simple restoration. **alfer**® door sealing brushes simply and effectively prevent drafts.



#### Profiles for parquet, laminate and designer floors

Perfectly laid parquet and laminate floorboards the easy way. The ease of laying ready-to-install parquet, cork and laminate floorboards makes them extremely popular with DIY enthusiasts. And anyone who appreciates this feature will love the parquet and laminate profiles from **alfer**®. With **clipstech**®, **clipstech**®-vario and **clipstech**®-plus, you have the perfect profiles for edges and transitions between floor coverings. The edges are therefore cleanly sealed and stumbling hazards are prevented. The **clipstech**® profiles are installed so that no screws are subsequently visible. The cover is simply clipped on.



#### cabelino® baseboards

Baseboards are ideal for concealing retrospectively laid cables and lines. The **cabelino**® baseboards have been designed for precisely this purpose. The baseboards are TÜV-certified and comply with the latest safety regulations. The décors of the baseboards match those of the **clipstech**® range. **cabelino**® baseboards are also noteworthy from a technical perspective. Thanks to the lock or clamp gap, they can be infinitely adjusted by up to 10 mm so that the baseboard can simply be pressed down if the floor settles over the years.



# Hardware catalogue

## Index

### Product names A-Z

2 prisms MP 13 (for mitre box MP 10).....	1.49
45° 3-D T-connector, left, 3 spigots.....	2.07
45° 3-D T-connector, right, 3 spigots.....	2.07
45° nodal connector, 4 spigots.....	2.08
90° edge connector, 3 spigots.....	2.05
90° nodal connector, 4 spigots.....	2.06
90° nodal connector, 5 spigots.....	2.06
90° nodal connector, 6 spigots.....	2.07
90° square connector, 2 spigots.....	2.05
90° T-connector, 3 spigots.....	2.05
Adapter sleeve.....	2.10
Adhesive cord, strapless, with covering tape.....	3.30
Adjustable foot.....	1.34   2.11
Adjustable foot, black, with thread.....	1.42
Adjustable ring, DIN 705.....	1.43
Anchor nut, DIN 7965.....	1.40
Angle profile, one-sided.....	3.28   3.29
Angle, equal-sided.....	1.11   1.12   1.27   3.35   5.07   5.13   5.22   5.24   5.25   6.05
Angle, equal-sided 120°.....	3.31
Angle, equal-sided hot-rolled.....	6.08
Angle, equal-sided in cold rolled steel.....	6.09
Angle, equal-sided in cold rolled steel, galvanized.....	6.14
Angle, equal-sided, <b>ferroplatan</b> .....	6.17
Angle, equal-sided, slotted.....	4.07   4.10
Angle, inside, equal-sided.....	3.36
Angle, unequal-sided.....	1.12   1.13   1.27   3.35   5.08   5.14   5.26   5.27   6.05
Angle, unequal-sided in cold rolled steel.....	6.09
Angle, unequal-sided in cold rolled steel, galvanized.....	6.14
Angle, unequal-sided, slotted.....	4.07   4.08   4.11
Articulated connector, 2 spigots.....	2.09
Articulated flange connector, 1 spigot.....	2.08
Barleycorn.....	3.19
Bolt clamp.....	3.34
Bracket, equal-sided, self-adhesive.....	5.33   5.34   5.35
Bracket, equal-sided, self-adhesive, <b>ferroplatan</b> .....	6.17
Builder's square with spirit level.....	1.51
Case corner.....	3.38
Checker plate.....	3.20   3.21
clampoline angle profile.....	5.36
clampoline corner profile.....	5.37
clampoline H-profile.....	5.37
clampoline hinge profile.....	5.38
clampoline T-profile.....	5.36
clampoline U-profile.....	5.36
clampssoft angle profile.....	5.39
clampssoft corner for angle profile.....	5.39
clampssoft corner for corner profile.....	5.41
clampssoft corner for U-profile.....	5.40
clampssoft corner profile.....	5.41
clampssoft U-profile.....	5.40
Combi-bracket, equal-sided, self-adhesive.....	5.34
Compression spring.....	1.35
Concrete-ribbed steel, hot-rolled.....	6.12
Corner angle 120° set.....	3.32
Corner angle 90° set.....	3.32
Corner bar.....	5.32
Corner bar, self-adhesive.....	5.34
Corrugated sheet.....	3.17
Countersunk screw set.....	1.36
Covering profile, one-sided.....	3.27
Covering profile, one-sided, vibratory finish.....	3.29
Covering profile, two-sided.....	3.27
Cross connector, 4 spigots.....	2.06
Cross hole sheet.....	3.22
Cylinder head screw set.....	4.12
Design sheet structure.....	3.10   3.11
Design sheet with square holes.....	3.10
Design sheet with square studs.....	3.10
Design sheet, corrugated.....	3.09
Design sheet, flexible.....	3.09
Design sheet, smooth.....	3.09
Double adhesive tape with intermediate support.....	3.30
Double tube.....	1.20
Double tube, vibratory finish.....	1.21
Edge profile, one-sided.....	5.29   5.30
Edge profile, two-sided.....	5.30
Edge protecting profile.....	3.33   5.12   5.15
Edge protecting profile, round.....	5.21   5.32
End cap, rectangular.....	1.32
End cap, round.....	1.32
End cap, square.....	1.32   2.12
Eye bolt, DIN 444.....	1.42
Flange connector, 1 spigot.....	2.08
Flat bar.....	1.13   1.28   5.07   5.13   5.22   5.24   6.05
Flat bar, cold-rolled, galvanized.....	6.14
Flat bar, drawn steel.....	6.15
Flat bar, hot-rolled.....	6.08
Flat bar, slotted.....	4.05   4.09
Frame edging profile.....	5.21
Frame profile.....	5.31
Furniture caster.....	1.33   2.11
Guide rail profile, assembly at the top.....	5.11   5.18   5.29
Guide rail profile, assembly below.....	5.11   5.18   5.29
Gusset.....	1.31   3.38
H section.....	1.14   2.16   5.19
Hammer effect sheet.....	3.18
Hand wheel, black, with thread.....	1.40
Handle profile.....	5.12   5.19   5.20
Hanging kit.....	3.32
Hard ferrite magnet with plastic case.....	3.33
Hexagon cap.....	1.34
Hexagon cap nut, self-locking, DIN 986.....	1.38
Hexagon connection sleeve.....	1.41
Hexagon nut.....	1.37
Hexagon nut, DIN 934.....	1.37
Hexagon nut, self-locking, DIN 985.....	1.38
Hinge profile.....	3.28
Hinge profile for Ø 6.1 mm.....	5.17
Hinged plate, black, with thread.....	1.41
Knurled nut, black, with thread.....	1.40
Ladder step profile.....	5.12
Lifting eye nut, DIN 582.....	1.39
Long tube sleeve.....	1.22
Long tube sleeve, vibratory finish.....	1.23
Maxi-saw.....	1.50
Metric threaded rod.....	1.29   1.30
Metric threaded tube.....	1.30
Multi-clamp.....	1.50
Multitube sleeve nut kit.....	3.33
Oval-headed screw set.....	4.12
Perforated sheet hook, large.....	3.34
Perforated sheet hook, small.....	3.34
Piccolo-mitre box MP 7.....	1.48
Plain sheet, steel, untreated, processed.....	3.15
Plastic panel (hard PVC), hot-embossed, self-adhesive.....	3.11
Plastic panel (PC, transparent).....	3.11
Precision-mitre box MP 8.....	1.48
Precision-mitre box MP 9.....	1.48
Precision-mitre box with clamp element MP 10.....	1.49
Prismatech sleeve nut kit, uncoated.....	3.29
'Profi' keyhole saw.....	1.50
'Profi'-angle, with bevel ruler and parallel-template.....	1.51
'Profi'-ruler.....	1.51
Quarter circle corner bar.....	5.31
Quarter circle corner bar, self-adhesive.....	5.33
Rectangular tube.....	1.09   1.25   5.10   6.07   6.11
Rectangular U.....	1.11   1.26
Roughcast sheet.....	3.19
Round bar.....	1.07   1.19   1.24   5.09   5.16   5.23   6.06
Round bar, drawn steel.....	6.15
Round bar, hot-rolled.....	6.10
Round hole sheet.....	3.22   3.23   3.24
Round studded sheet.....	3.17
Round tube.....	1.07   1.24   3.31   5.09   5.16   5.22   6.06
Round tube in cold rolled steel.....	6.10
Rubber buffer, black, with double-sided thread.....	1.42
Rubber buffer, black, with thread.....	1.41
Rubber cap.....	1.33
Sealing profile.....	3.30   3.38
Serrated lock washer, DIN 6798A.....	1.47
Set: Hexagon nuts, DIN 934, with washers, DIN 9021.....	1.43   1.44
Sheet, aluminium, anodized.....	3.13
Sheet, aluminium, coated.....	3.12
Sheet, aluminium, uncoated.....	3.12
Sheet, raw steel.....	3.14
Sheet, solid brass.....	3.16
Sheet, solid copper.....	3.16
Sheet, stainless steel.....	3.16
Sheet, steel, galvanized.....	3.14
Shelf unit foot.....	1.34   4.12
Short tube sleeve.....	1.22
Short tube sleeve, vibratory finish.....	1.22
Slotted hole sheet.....	3.22
Square bar.....	5.18   5.23
Square bar, drawn steel.....	6.16
Square bar, hot-rolled.....	6.12
Square bar, hot-rolled, coiled.....	6.12
Square hole sheet.....	3.23   3.24
Square nut, self-locking; DIN 557.....	1.39
Square rod.....	1.09   1.24
Square studded sheet.....	3.17
Square T.....	1.14   1.28
Square tube.....	1.08   1.25   2.13   2.18   3.31   5.10   5.17   6.07
Square tube, 1 branch.....	1.15   2.15
Square tube, 1 branch offset.....	1.16   2.17
Square tube, 2 branches 180°.....	1.16   2.16



# Hardware catalogue

## Index

### Product names A–Z

Square tube, 2 branches inside.....	1.17   2.17	Tube, 1 short branch, vibratory finish.....	1.18
Square tube, 2 branches offset.....	1.17   2.17	Tube, 2 branches 180°.....	1.19
Square tube, cold-rolled.....	6.11	Tube, 2 branches 180°, vibratory finish.....	1.19
Square tube, slotted.....	4.05   4.06	Tube, 2 branches 90°.....	1.20
Square U.....	1.10   1.26   2.14   2.18   3.35   3.37   6.06	Tube, 2 branches 90°, vibratory finish.....	1.20
Square U, 2 branches 180°.....	1.16   2.16   3.37	Turnbuckle with hook and eye, DIN 1480.....	1.36
Step drill.....	1.31	U-profile.....	5.08   5.15   5.28   6.09
Stretch metal.....	3.25   3.26	U-profile, cold-rolled, galvanized.....	6.15
Support profile, one-sided.....	3.27	U-profile, slotted.....	4.06   4.09   4.10
Support profile, two-sided.....	3.28	Universal deburrer.....	1.31   2.10   4.13
T-profile.....	1.14   5.11   5.19	'Vario'-mitre box MP 14.....	1.49
T-profile, hot-rolled.....	6.13	Washer, DIN 125.....	1.46   1.47
T-profile, slotted.....	4.08	Washer, DIN 9021.....	1.45   1.46
Tension spring.....	1.35   1.36	Wing nut, American shape.....	1.39
Threaded plug.....	1.33   2.11		
Triple tube, vibratory finish.....	1.21		
Tube-tube 90°, vibratory finishing.....	1.21		
Tube, 1 long branch.....	1.18		
Tube, 1 long branch, vibratory finish.....	1.18		
Tube, 1 short branch.....	1.17		



# Hardware catalogue

## Index

### Item number summary

00010 Flat bar.....	5.07	01056 Angle, unequal-sided.....	5.14
00012 Flat bar.....	5.07	01060 U-profile.....	5.15
00013 Flat bar.....	5.07	01061 U-profile.....	5.15
00014 Flat bar.....	5.07	01062 U-profile.....	5.15
00020 Round tube.....	5.09	01063 U-profile.....	5.15
00021 Round tube.....	5.09	01064 U-profile.....	5.15
00022 Round tube.....	5.09	01065 U-profile.....	5.15
00023 Round tube.....	5.09	01070 Square tube.....	5.17
00024 Round tube.....	5.09	01071 Square tube.....	5.17
00025 Round tube.....	5.09	01072 Square tube.....	5.17
00026 Round tube.....	5.09	01073 Square tube.....	5.17
00027 Round tube.....	5.09	01074 Square tube.....	5.17
00030 Round bar.....	5.09	01080 Square bar.....	5.18
00031 Round bar.....	5.09	01081 Square bar.....	5.18
00032 Round bar.....	5.09	01082 Square bar.....	5.18
00033 Round bar.....	5.09	01090 T-profile.....	5.19
00034 Round bar.....	5.09	01091 T-profile.....	5.19
00040 Angle, equal-sided.....	5.07	01100 H-profile.....	5.19
00041 Angle, equal-sided.....	5.07	01101 H-profile.....	5.19
00042 Angle, equal-sided.....	5.07	01102 H-profile.....	5.19
00045 Angle, equal-sided.....	5.07	01103 H-profile.....	5.19
00052 Angle, unequal-sided.....	5.08	01104 H-profile.....	5.19
00053 Angle, unequal-sided.....	5.08	01110 Hinge profile for Ø 6.1 mm.....	5.17
00054 Angle, unequal-sided.....	5.08	01115 Edge protecting profile, round.....	5.21
00055 Angle, unequal-sided.....	5.08	01116 Edge protecting profile, round.....	5.21
00060 U-profile.....	5.08	01117 Edge protecting profile, round.....	5.21
00061 U-profile.....	5.08	01118 Edge protecting profile, round.....	5.21
00062 U-profile.....	5.08	01139 Guide rail profile, assembly at the top.....	5.18
00063 U-profile.....	5.08	01140 Guide rail profile, assembly below.....	5.18
00064 U-profile.....	5.08	01141 Frame edging profile.....	5.21
00065 U-profile.....	5.08	01210 Flat bar.....	5.13
00066 U-profile.....	5.08	01212 Flat bar.....	5.13
00067 U-profile.....	5.08	01213 Flat bar.....	5.13
00068 U-profile.....	5.08	01214 Flat bar.....	5.13
00070 Square tube.....	5.10	01221 Round tube.....	5.16
00071 Square tube.....	5.10	01222 Round tube.....	5.16
00072 Square tube.....	5.10	01223 Round tube.....	5.16
00073 Square tube.....	5.10	01240 Angle, equal-sided.....	5.13
00075 Square tube.....	5.10	01241 Angle, equal-sided.....	5.13
00090 T-profile.....	5.11	01242 Angle, equal-sided.....	5.13
00091 T-profile.....	5.11	01243 Angle, equal-sided.....	5.13
00092 T-profile.....	5.11	01244 Angle, equal-sided.....	5.13
00139 Guide rail profile, assembly at the top.....	5.11	01250 Angle, unequal-sided.....	5.14
00140 Guide rail profile, assembly below.....	5.11	01251 Angle, unequal-sided.....	5.14
00242 Angle, equal-sided.....	5.07	01270 Square tube.....	5.17
00243 Angle, equal-sided.....	5.07	01272 Square tube.....	5.17
00244 Angle, equal-sided.....	5.07	01273 Square tube.....	5.17
00250 Angle, unequal-sided.....	5.08	01315 Edge protecting profile, round.....	5.21
00251 Angle, unequal-sided.....	5.08	01316 Edge protecting profile, round.....	5.21
00270 Square tube.....	5.10	01317 Edge protecting profile, round.....	5.21
00401 Edge protecting profile.....	5.12	01318 Edge protecting profile, round.....	5.21
00402 Edge protecting profile.....	5.12	01401 Edge protecting profile.....	5.15
00405 Handle profile.....	5.12	01402 Edge protecting profile.....	5.15
00428 Rectangular tube.....	5.10	01403 Handle profile.....	5.19
00431 Ladder step profile.....	5.12	01404 Handle profile.....	5.20
01010 Flat bar.....	5.13	01405 Handle profile.....	5.20
01011 Flat bar.....	5.13	01410 Handle profile.....	5.20
01012 Flat bar.....	5.13	01542 Angle, equal-sided.....	5.13
01013 Flat bar.....	5.13	01543 Angle, equal-sided.....	5.13
01014 Flat bar.....	5.13	01544 Angle, equal-sided.....	5.13
01015 Flat bar.....	5.13	01550 Angle, unequal-sided.....	5.14
01016 Flat bar.....	5.13	01551 Angle, unequal-sided.....	5.14
01017 Flat bar.....	5.13	01570 Square tube.....	5.17
01020 Round tube.....	5.16	02010 Flat bar.....	5.13
01021 Round tube.....	5.16	02012 Flat bar.....	5.13
01022 Round tube.....	5.16	02013 Flat bar.....	5.13
01023 Round tube.....	5.16	02020 Round tube.....	5.16
01024 Round tube.....	5.16	02021 Round tube.....	5.16
01025 Round tube.....	5.16	02022 Round tube.....	5.16
01026 Round tube.....	5.16	02023 Round tube.....	5.16
01030 Round bar.....	5.16	02024 Round tube.....	5.16
01031 Round bar.....	5.16	02040 Angle, equal-sided.....	5.13
01032 Round bar.....	5.16	02041 Angle, equal-sided.....	5.13
01033 Round bar.....	5.16	02042 Angle, equal-sided.....	5.13
01034 Round bar.....	5.16	02043 Angle, equal-sided.....	5.13
01040 Angle, equal-sided.....	5.13	02210 Flat bar.....	5.13
01041 Angle, equal-sided.....	5.13	02212 Flat bar.....	5.13
01042 Angle, equal-sided.....	5.13	02213 Flat bar.....	5.13
01043 Angle, equal-sided.....	5.13	02214 Flat bar.....	5.13
01044 Angle, equal-sided.....	5.13	02221 Round tube.....	5.16
01045 Angle, equal-sided.....	5.13	02222 Round tube.....	5.16
01046 Angle, equal-sided.....	5.13	02223 Round tube.....	5.16
01050 Angle, unequal-sided.....	5.14	02240 Angle, equal-sided.....	5.13
01051 Angle, unequal-sided.....	5.14	02241 Angle, equal-sided.....	5.13
01052 Angle, unequal-sided.....	5.14	02242 Angle, equal-sided.....	5.13
01053 Angle, unequal-sided.....	5.14	02243 Angle, equal-sided.....	5.13
01054 Angle, unequal-sided.....	5.14	02244 Angle, equal-sided.....	5.13
01055 Angle, unequal-sided.....	5.14	02250 Angle, unequal-sided.....	5.14

# Hardware catalogue

## Index

### Item number summary

02251	Angle, unequal-sided	5.14	04275	Square tube	5.10
02270	Square tube	5.17	04276	Square tube	5.10
02272	Square tube	5.17	04291	T-profile	5.11
02273	Square tube	5.17	04293	T-profile	5.11
03141	Frame edging profile	5.21	04328	Rectangular tube	5.10
04010	Flat bar	5.07	04331	Ladder step profile	5.12
04012	Flat bar	5.07	04332	Rectangular tube	5.10
04014	Flat bar	5.07	04333	Rectangular tube	5.10
04015	Flat bar	5.07	04335	U-profile	5.08
04016	Flat bar	5.07	04339	Guide rail profile, assembly at the top	5.11
04017	Flat bar	5.07	04340	Guide rail profile, assembly below	5.11
04025	Round tube	5.09	04428	Rectangular tube	5.10
04026	Round tube	5.09	04431	Ladder step profile	5.12
04027	Round tube	5.09	04432	Rectangular tube	5.10
04028	Round tube	5.09	04433	Rectangular tube	5.10
04029	Round tube	5.09	05010	Flat bar	5.13
04031	Round bar	5.09	05011	Flat bar	5.13
04032	Round bar	5.09	05012	Flat bar	5.13
04042	Angle, equal-sided	5.07	05013	Flat bar	5.13
04043	Angle, equal-sided	5.07	05014	Flat bar	5.13
04044	Angle, equal-sided	5.07	05015	Flat bar	5.13
04045	Angle, equal-sided	5.07	05016	Flat bar	5.13
04046	Angle, equal-sided	5.07	05017	Flat bar	5.13
04047	Angle, equal-sided	5.07	05020	Round tube	5.16
04048	Angle, equal-sided	5.07	05021	Round tube	5.16
04051	Angle, unequal-sided	5.08	05022	Round tube	5.16
04052	Angle, unequal-sided	5.08	05023	Round tube	5.16
04053	Angle, unequal-sided	5.08	05024	Round tube	5.16
04054	Angle, unequal-sided	5.08	05025	Round tube	5.16
04055	Angle, unequal-sided	5.08	05026	Round tube	5.16
04056	Angle, unequal-sided	5.08	05027	Round tube	5.16
04066	U-profile	5.08	05030	Round bar	5.16
04067	U-profile	5.08	05031	Round bar	5.16
04068	U-profile	5.08	05032	Round bar	5.16
04069	U-profile	5.08	05033	Round bar	5.16
04070	Square tube	5.10	05034	Round bar	5.16
04071	Square tube	5.10	05040	Angle, equal-sided	5.13
04074	Square tube	5.10	05041	Angle, equal-sided	5.13
04075	Square tube	5.10	05042	Angle, equal-sided	5.13
04076	Square tube	5.10	05043	Angle, equal-sided	5.13
04091	T-profile	5.11	05044	Angle, equal-sided	5.13
04092	T-profile	5.11	05045	Angle, equal-sided	5.13
04093	T-profile	5.11	05046	Angle, equal-sided	5.13
04135	U-profile	5.08	05050	Angle, unequal-sided	5.14
04139	Guide rail profile, assembly at the top	5.11	05051	Angle, unequal-sided	5.14
04140	Guide rail profile, assembly below	5.11	05052	Angle, unequal-sided	5.14
04210	Flat bar	5.07	05053	Angle, unequal-sided	5.14
04212	Flat bar	5.07	05054	Angle, unequal-sided	5.14
04213	Flat bar	5.07	05055	Angle, unequal-sided	5.14
04214	Flat bar	5.07	05056	Angle, unequal-sided	5.14
04215	Flat bar	5.07	05060	U-profile	5.15
04216	Flat bar	5.07	05061	U-profile	5.15
04217	Flat bar	5.07	05062	U-profile	5.15
04221	Round tube	5.09	05063	U-profile	5.15
04222	Round tube	5.09	05064	U-profile	5.15
04223	Round tube	5.09	05065	U-profile	5.15
04225	Round tube	5.09	05066	U-profile	5.15
04226	Round tube	5.09	05067	U-profile	5.15
04227	Round tube	5.09	05070	Square tube	5.17
04228	Round tube	5.09	05071	Square tube	5.17
04229	Round tube	5.09	05072	Square tube	5.17
04231	Round bar	5.09	05073	Square tube	5.17
04232	Round bar	5.09	05074	Square tube	5.17
04240	Angle, equal-sided	5.07	05080	Square bar	5.18
04241	Angle, equal-sided	5.07	05081	Square bar	5.18
04242	Angle, equal-sided	5.07	05082	Square bar	5.18
04243	Angle, equal-sided	5.07	05090	T-profile	5.19
04244	Angle, equal-sided	5.07	05091	T-profile	5.19
04245	Angle, equal-sided	5.07	05092	T-profile	5.19
04246	Angle, equal-sided	5.07	05100	H-profile	5.19
04247	Angle, equal-sided	5.07	05101	H-profile	5.19
04248	Angle, equal-sided	5.07	05102	H-profile	5.19
04250	Angle, unequal-sided	5.08	05103	H-profile	5.19
04251	Angle, unequal-sided	5.08	05104	H-profile	5.19
04252	Angle, unequal-sided	5.08	05110	Hinge profile for Ø 6.1 mm	5.17
04253	Angle, unequal-sided	5.08	05115	Edge protecting profile, round	5.21
04254	Angle, unequal-sided	5.08	05116	Edge protecting profile, round	5.21
04255	Angle, unequal-sided	5.08	05117	Edge protecting profile, round	5.21
04256	Angle, unequal-sided	5.08	05118	Edge protecting profile, round	5.21
04266	U-profile	5.08	05139	Guide rail profile, assembly at the top	5.18
04267	U-profile	5.08	05140	Guide rail profile, assembly below	5.18
04268	U-profile	5.08	05141	Frame edging profile	5.21
04269	U-profile	5.08	05210	Flat bar	5.13
04270	Square tube	5.10	05212	Flat bar	5.13
04271	Square tube	5.10	05213	Flat bar	5.13
04272	Square tube	5.10	05214	Flat bar	5.13
04273	Square tube	5.10	05221	Round tube	5.16
04274	Square tube	5.10	05222	Round tube	5.16

# Hardware catalogue

## Index

### Item number summary

05223 Round tube.....	5.16	08273 Square tube.....	5.17
05240 Angle, equal-sided.....	5.13	08274 Square tube.....	5.17
05241 Angle, equal-sided.....	5.13	08280 Square bar.....	5.18
05242 Angle, equal-sided.....	5.13	08281 Square bar.....	5.18
05243 Angle, equal-sided.....	5.13	08282 Square bar.....	5.18
05244 Angle, equal-sided.....	5.13	08290 T-profile.....	5.19
05250 Angle, unequal-sided.....	5.14	08291 T-profile.....	5.19
05251 Angle, unequal-sided.....	5.14	08292 T-profile.....	5.19
05270 Square tube.....	5.17	08300 H-profile.....	5.19
05272 Square tube.....	5.17	08301 H-profile.....	5.19
05273 Square tube.....	5.17	08302 H-profile.....	5.19
05315 Edge protecting profile, round.....	5.21	08303 H-profile.....	5.19
05316 Edge protecting profile, round.....	5.21	08304 H-profile.....	5.19
05317 Edge protecting profile, round.....	5.21	08310 Hinge profile for Ø 6.1 mm.....	5.17
05318 Edge protecting profile, round.....	5.21	08339 Guide rail profile, assembly at the top.....	5.18
05401 Edge protecting profile.....	5.15	08340 Guide rail profile, assembly below.....	5.18
05402 Edge protecting profile.....	5.15	08341 Frame edging profile.....	5.21
05403 Handle profile.....	5.19	08351 Edge protecting profile.....	5.15
05404 Handle profile.....	5.20	08352 Edge protecting profile.....	5.15
05405 Handle profile.....	5.20	08353 Handle profile.....	5.19
05410 Handle profile.....	5.20	08354 Handle profile.....	5.20
06040 Angle, equal-sided.....	5.13	08355 Handle profile.....	5.20
06041 Angle, equal-sided.....	5.13	08360 Handle profile.....	5.20
06042 Angle, equal-sided.....	5.13	08540 Angle, equal-sided.....	5.13
06043 Angle, equal-sided.....	5.13	08541 Angle, equal-sided.....	5.13
06210 Flat bar.....	5.13	08542 Angle, equal-sided.....	5.13
06212 Flat bar.....	5.13	08543 Angle, equal-sided.....	5.13
06213 Flat bar.....	5.13	11140 Angle, equal-sided.....	5.25
06214 Flat bar.....	5.13	11141 Angle, equal-sided.....	5.25
06221 Round tube.....	5.16	11142 Angle, equal-sided.....	5.25
06222 Round tube.....	5.16	11143 Angle, equal-sided.....	5.25
06223 Round tube.....	5.16	11146 Angle, equal-sided.....	5.25
06240 Angle, equal-sided.....	5.13	11147 Angle, equal-sided.....	5.25
06241 Angle, equal-sided.....	5.13	11150 Angle, unequal-sided.....	5.26
06242 Angle, equal-sided.....	5.13	11151 Angle, unequal-sided.....	5.26
06243 Angle, equal-sided.....	5.13	11152 Angle, unequal-sided.....	5.26
06244 Angle, equal-sided.....	5.13	11153 Angle, unequal-sided.....	5.26
06250 Angle, unequal-sided.....	5.14	11172 Frame profile.....	5.31
06251 Angle, unequal-sided.....	5.14	12140 Angle, equal-sided.....	5.25
06270 Square tube.....	5.17	12141 Angle, equal-sided.....	5.25
06272 Square tube.....	5.17	12142 Angle, equal-sided.....	5.25
06273 Square tube.....	5.17	12143 Angle, equal-sided.....	5.25
07141 Frame edging profile.....	5.21	12146 Angle, equal-sided.....	5.25
08210 Flat bar.....	5.13	12147 Angle, equal-sided.....	5.25
08211 Flat bar.....	5.13	12150 Angle, unequal-sided.....	5.26
08212 Flat bar.....	5.13	12151 Angle, unequal-sided.....	5.26
08213 Flat bar.....	5.13	12152 Angle, unequal-sided.....	5.26
08214 Flat bar.....	5.13	12153 Angle, unequal-sided.....	5.26
08215 Flat bar.....	5.13	12154 Angle, unequal-sided.....	5.26
08216 Flat bar.....	5.13	12155 Angle, unequal-sided.....	5.26
08217 Flat bar.....	5.13	12156 Angle, unequal-sided.....	5.26
08220 Round tube.....	5.16	12157 Angle, unequal-sided.....	5.26
08221 Round tube.....	5.16	12160 U-profile.....	5.28
08222 Round tube.....	5.16	12161 U-profile.....	5.28
08223 Round tube.....	5.16	12162 U-profile.....	5.28
08224 Round tube.....	5.16	12163 U-profile.....	5.28
08225 Round tube.....	5.16	12164 U-profile.....	5.28
08226 Round tube.....	5.16	12165 Guide rail profile, assembly below.....	5.29
08227 Round tube.....	5.16	12166 Guide rail profile, assembly at the top.....	5.29
08230 Round bar.....	5.16	12170 Edge profile, two-sided.....	5.30
08231 Round bar.....	5.16	12171 Edge profile, one-sided.....	5.30
08232 Round bar.....	5.16	12172 Frame profile.....	5.31
08233 Round bar.....	5.16	12175 Angle, equal-sided.....	5.25
08234 Round bar.....	5.16	12176 Angle, equal-sided.....	5.25
08240 Angle, equal-sided.....	5.13	12177 Angle, equal-sided.....	5.25
08241 Angle, equal-sided.....	5.13	12180 Edge protecting profile, round.....	5.32
08242 Angle, equal-sided.....	5.13	12181 Edge protecting profile, round.....	5.32
08243 Angle, equal-sided.....	5.13	12182 Edge protecting profile, round.....	5.32
08244 Angle, equal-sided.....	5.13	12183 Edge protecting profile, round.....	5.32
08245 Angle, equal-sided.....	5.13	12190 Edge protecting profile, round.....	5.32
08250 Angle, unequal-sided.....	5.14	12191 Edge protecting profile, round.....	5.32
08251 Angle, unequal-sided.....	5.14	12192 Edge protecting profile, round.....	5.32
08252 Angle, unequal-sided.....	5.14	12193 Edge protecting profile, round.....	5.32
08253 Angle, unequal-sided.....	5.14	12300 Angle, unequal-sided.....	5.27
08254 Angle, unequal-sided.....	5.14	12301 Angle, unequal-sided.....	5.27
08255 Angle, unequal-sided.....	5.14	12302 Angle, unequal-sided.....	5.27
08256 Angle, unequal-sided.....	5.14	12303 Angle, unequal-sided.....	5.27
08260 U-profile.....	5.15	12304 Angle, unequal-sided.....	5.27
08261 U-profile.....	5.15	12305 Angle, unequal-sided.....	5.27
08262 U-profile.....	5.15	12310 Angle, unequal-sided.....	5.27
08263 U-profile.....	5.15	12311 Angle, unequal-sided.....	5.27
08264 U-profile.....	5.15	12312 Angle, unequal-sided.....	5.27
08265 U-profile.....	5.15	12313 Angle, unequal-sided.....	5.27
08266 U-profile.....	5.15	12314 Angle, unequal-sided.....	5.27
08267 U-profile.....	5.15	12315 Angle, unequal-sided.....	5.27
08270 Square tube.....	5.17	12320 Angle, unequal-sided.....	5.27
08271 Square tube.....	5.17	12321 Angle, unequal-sided.....	5.27
08272 Square tube.....	5.17	12322 Angle, unequal-sided.....	5.27



# Hardware catalogue

## Index

### Item number summary

12323	Angle, unequal-sided	5.27	12995	Angle, unequal-sided	5.26
12324	Angle, unequal-sided	5.27	12996	Angle, unequal-sided	5.26
12325	Angle, unequal-sided	5.27	12997	Angle, equal-sided	5.24
12330	Angle, unequal-sided	5.27	12998	Angle, equal-sided	5.24
12331	Angle, unequal-sided	5.27	15140	Angle, equal-sided	5.25
12332	Angle, unequal-sided	5.27	15141	Angle, equal-sided	5.25
12333	Angle, unequal-sided	5.27	15142	Angle, equal-sided	5.25
12334	Angle, unequal-sided	5.27	15143	Angle, equal-sided	5.25
12335	Angle, unequal-sided	5.27	15146	Angle, equal-sided	5.25
12340	Angle, unequal-sided	5.27	15147	Angle, equal-sided	5.25
12341	Angle, unequal-sided	5.27	15150	Angle, unequal-sided	5.26
12342	Angle, unequal-sided	5.27	15151	Angle, unequal-sided	5.26
12343	Angle, unequal-sided	5.27	15152	Angle, unequal-sided	5.26
12344	Angle, unequal-sided	5.27	15153	Angle, unequal-sided	5.26
12345	Angle, unequal-sided	5.27	15158	Angle, equal-sided	5.25
12350	Angle, unequal-sided	5.27	15159	Angle, equal-sided	5.25
12351	Angle, unequal-sided	5.27	15172	Frame profile	5.31
12352	Angle, unequal-sided	5.27	16140	Angle, equal-sided	5.25
12353	Angle, unequal-sided	5.27	16141	Angle, equal-sided	5.25
12354	Angle, unequal-sided	5.27	16142	Angle, equal-sided	5.25
12355	Angle, unequal-sided	5.27	16143	Angle, equal-sided	5.25
12360	Angle, unequal-sided	5.27	16146	Angle, equal-sided	5.25
12361	Angle, unequal-sided	5.27	16147	Angle, equal-sided	5.25
12362	Angle, unequal-sided	5.27	16150	Angle, unequal-sided	5.26
12363	Angle, unequal-sided	5.27	16151	Angle, unequal-sided	5.26
12364	Angle, unequal-sided	5.27	16152	Angle, unequal-sided	5.26
12365	Angle, unequal-sided	5.27	16153	Angle, unequal-sided	5.26
12370	Angle, unequal-sided	5.27	16154	Angle, unequal-sided	5.26
12371	Angle, unequal-sided	5.27	16155	Angle, unequal-sided	5.26
12372	Angle, unequal-sided	5.27	16156	Angle, unequal-sided	5.26
12373	Angle, unequal-sided	5.27	16157	Angle, unequal-sided	5.26
12374	Angle, unequal-sided	5.27	16160	U-profile	5.28
12375	Angle, unequal-sided	5.27	16161	U-profile	5.28
12600	Bracket, equal-sided, self-adhesive	5.33	16162	U-profile	5.28
12601	Bracket, equal-sided, self-adhesive	5.33	16163	U-profile	5.28
12602	Bracket, equal-sided, self-adhesive	5.33	16164	U-profile	5.28
12610	Bracket, equal-sided, self-adhesive	5.35	16165	Guide rail profile, assembly below	5.29
12611	Bracket, equal-sided, self-adhesive	5.35	16166	Guide rail profile, assembly at the top	5.29
12612	Bracket, equal-sided, self-adhesive	5.35	16172	Frame profile	5.31
12613	Bracket, equal-sided, self-adhesive	5.35	16175	Angle, equal-sided	5.25
12614	Bracket, equal-sided, self-adhesive	5.35	16176	Angle, equal-sided	5.25
12615	Bracket, equal-sided, self-adhesive	5.34	16177	Angle, equal-sided	5.25
12616	Bracket, equal-sided, self-adhesive	5.35	16180	Edge protecting profile, round	5.32
12617	Bracket, equal-sided, self-adhesive	5.35	16181	Edge protecting profile, round	5.32
12618	Bracket, equal-sided, self-adhesive	5.35	16182	Edge protecting profile, round	5.32
12619	Bracket, equal-sided, self-adhesive	5.35	16183	Edge protecting profile, round	5.32
12620	Bracket, equal-sided, self-adhesive	5.35	16190	Edge protecting profile, round	5.32
12621	Corner bar, self-adhesive	5.34	16191	Edge protecting profile, round	5.32
12622	Quarter circle corner bar, self-adhesive	5.33	16192	Edge protecting profile, round	5.32
12623	Quarter circle corner bar, self-adhesive	5.33	16193	Edge protecting profile, round	5.32
12624	Bracket, equal-sided, self-adhesive	5.34	16300	Angle, unequal-sided	5.27
12625	Bracket, equal-sided, self-adhesive	5.35	16301	Angle, unequal-sided	5.27
12626	Bracket, equal-sided, self-adhesive	5.34	16302	Angle, unequal-sided	5.27
12627	Bracket, equal-sided, self-adhesive	5.35	16303	Angle, unequal-sided	5.27
12630	Bracket, equal-sided, self-adhesive	5.34	16304	Angle, unequal-sided	5.27
12631	Bracket, equal-sided, self-adhesive	5.34	16305	Angle, unequal-sided	5.27
12632	Bracket, equal-sided, self-adhesive	5.35	16310	Angle, unequal-sided	5.27
12634	Bracket, equal-sided, self-adhesive	5.35	16311	Angle, unequal-sided	5.27
12635	Bracket, equal-sided, self-adhesive	5.35	16312	Angle, unequal-sided	5.27
12636	Bracket, equal-sided, self-adhesive	5.35	16313	Angle, unequal-sided	5.27
12637	Bracket, equal-sided, self-adhesive	5.35	16314	Angle, unequal-sided	5.27
12638	Bracket, equal-sided, self-adhesive	5.34	16315	Angle, unequal-sided	5.27
12639	Bracket, equal-sided, self-adhesive	5.34	16320	Angle, unequal-sided	5.27
12640	Bracket, equal-sided, self-adhesive	5.34	16321	Angle, unequal-sided	5.27
12670	Bracket, equal-sided, self-adhesive	5.35	16322	Angle, unequal-sided	5.27
12671	Bracket, equal-sided, self-adhesive	5.35	16323	Angle, unequal-sided	5.27
12672	Bracket, equal-sided, self-adhesive	5.35	16324	Angle, unequal-sided	5.27
12673	Bracket, equal-sided, self-adhesive	5.35	16325	Angle, unequal-sided	5.27
12674	Bracket, equal-sided, self-adhesive	5.35	16330	Angle, unequal-sided	5.27
12675	Bracket, equal-sided, self-adhesive	5.35	16331	Angle, unequal-sided	5.27
12676	Bracket, equal-sided, self-adhesive	5.35	16332	Angle, unequal-sided	5.27
12677	Bracket, equal-sided, self-adhesive	5.35	16333	Angle, unequal-sided	5.27
12678	Bracket, equal-sided, self-adhesive	5.35	16334	Angle, unequal-sided	5.27
12679	Bracket, equal-sided, self-adhesive	5.35	16335	Angle, unequal-sided	5.27
12715	Angle, equal-sided	5.24	16340	Angle, unequal-sided	5.27
12724	Angle, equal-sided	5.24	16341	Angle, unequal-sided	5.27
12726	Angle, equal-sided	5.24	16342	Angle, unequal-sided	5.27
12727	Angle, equal-sided	5.25	16343	Angle, unequal-sided	5.27
12730	Angle, equal-sided	5.24	16344	Angle, unequal-sided	5.27
12731	Angle, equal-sided	5.24	16345	Angle, unequal-sided	5.27
12738	Angle, equal-sided	5.24	16350	Angle, unequal-sided	5.27
12739	Angle, equal-sided	5.24	16351	Angle, unequal-sided	5.27
12740	Angle, equal-sided	5.24	16352	Angle, unequal-sided	5.27
12988	Edge profile, two-sided	5.30	16353	Angle, unequal-sided	5.27
12989	Angle, equal-sided	5.24	16354	Angle, unequal-sided	5.27
12991	Angle, equal-sided	5.24	16355	Angle, unequal-sided	5.27
12993	Frame profile	5.31	16360	Angle, unequal-sided	5.27
12994	Edge profile, one-sided	5.29	16361	Angle, unequal-sided	5.27



# Hardware catalogue

## Index

### Item number summary

16362	Angle, unequal-sided	5.27	16731	Angle, equal-sided	5.24
16363	Angle, unequal-sided	5.27	16732	Angle, equal-sided	5.25
16364	Angle, unequal-sided	5.27	16738	Angle, equal-sided	5.24
16365	Angle, unequal-sided	5.27	16739	Angle, equal-sided	5.24
16370	Angle, unequal-sided	5.27	16740	Angle, equal-sided	5.24
16371	Angle, unequal-sided	5.27	16750	Combi-bracket, equal-sided, self-adhesive	5.34
16372	Angle, unequal-sided	5.27	16988	Edge profile, two-sided	5.30
16373	Angle, unequal-sided	5.27	16989	Angle, equal-sided	5.24
16374	Angle, unequal-sided	5.27	16991	Angle, equal-sided	5.24
16375	Angle, unequal-sided	5.27	16993	Frame profile	5.31
16450	Angle, equal-sided	5.25	16994	Edge profile, one-sided	5.29
16456	Angle, equal-sided	5.25	16995	Angle, unequal-sided	5.26
16457	Flat bar	5.24	16996	Angle, unequal-sided	5.26
16458	Flat bar	5.24	16997	Angle, equal-sided	5.24
16459	Flat bar	5.24	16998	Angle, equal-sided	5.24
16460	Flat bar	5.24	16999	Angle, equal-sided	5.25
16465	Angle, equal-sided	5.25	18001	clampoline angle profile	5.36
16466	Angle, equal-sided	5.25	18002	clampoline angle profile	5.36
16467	Flat bar	5.24	18003	clampoline angle profile	5.36
16468	Flat bar	5.24	18004	clampoline angle profile	5.36
16469	Flat bar	5.24	18011	clampoline angle profile	5.36
16470	Angle, equal-sided	5.13	18012	clampoline angle profile	5.36
16480	Angle, equal-sided	5.25	18013	clampoline angle profile	5.36
16481	Angle, equal-sided	5.25	18014	clampoline angle profile	5.36
16482	Angle, equal-sided	5.25	18021	clampoline U-profile	5.36
16483	Angle, equal-sided	5.25	18022	clampoline U-profile	5.36
16484	Angle, unequal-sided	5.26	18023	clampoline U-profile	5.36
16485	Angle, unequal-sided	5.26	18024	clampoline U-profile	5.36
16486	Angle, unequal-sided	5.26	18025	clampoline U-profile	5.36
16487	Angle, unequal-sided	5.26	18026	clampoline U-profile	5.36
16490	Quarter circle corner bar	5.31	18027	clampoline U-profile	5.36
16491	Quarter circle corner bar	5.31	18031	clampoline U-profile	5.36
16492	Quarter circle corner bar	5.31	18032	clampoline U-profile	5.36
16493	Quarter circle corner bar	5.31	18033	clampoline U-profile	5.36
16494	Corner bar	5.32	18034	clampoline U-profile	5.36
16573	Angle, equal-sided	5.25	18035	clampoline U-profile	5.36
16574	Angle, equal-sided	5.25	18036	clampoline U-profile	5.36
16575	Angle, equal-sided	5.25	18037	clampoline U-profile	5.36
16576	Angle, equal-sided	5.25	18041	clampoline H-profile	5.37
16577	Angle, equal-sided	5.25	18042	clampoline H-profile	5.37
16600	Bracket, equal-sided, self-adhesive	5.33	18043	clampoline H-profile	5.37
16601	Bracket, equal-sided, self-adhesive	5.33	18044	clampoline H-profile	5.37
16602	Bracket, equal-sided, self-adhesive	5.33	18045	clampoline H-profile	5.37
16610	Bracket, equal-sided, self-adhesive	5.35	18046	clampoline H-profile	5.37
16611	Bracket, equal-sided, self-adhesive	5.35	18047	clampoline H-profile	5.37
16612	Bracket, equal-sided, self-adhesive	5.35	18051	clampoline H-profile	5.37
16613	Bracket, equal-sided, self-adhesive	5.35	18052	clampoline H-profile	5.37
16614	Bracket, equal-sided, self-adhesive	5.35	18053	clampoline H-profile	5.37
16615	Bracket, equal-sided, self-adhesive	5.34	18054	clampoline H-profile	5.37
16616	Bracket, equal-sided, self-adhesive	5.35	18055	clampoline H-profile	5.37
16617	Bracket, equal-sided, self-adhesive	5.35	18056	clampoline H-profile	5.37
16618	Bracket, equal-sided, self-adhesive	5.35	18057	clampoline H-profile	5.37
16619	Bracket, equal-sided, self-adhesive	5.35	18061	clampoline corner profile	5.37
16620	Bracket, equal-sided, self-adhesive	5.35	18062	clampoline corner profile	5.37
16621	Corner bar, self-adhesive	5.34	18063	clampoline corner profile	5.37
16622	Quarter circle corner bar, self-adhesive	5.33	18064	clampoline corner profile	5.37
16623	Quarter circle corner bar, self-adhesive	5.33	18065	clampoline corner profile	5.37
16624	Bracket, equal-sided, self-adhesive	5.34	18066	clampoline corner profile	5.37
16625	Bracket, equal-sided, self-adhesive	5.35	18067	clampoline corner profile	5.37
16626	Bracket, equal-sided, self-adhesive	5.34	18071	clampoline corner profile	5.37
16627	Bracket, equal-sided, self-adhesive	5.35	18072	clampoline corner profile	5.37
16630	Bracket, equal-sided, self-adhesive	5.34	18073	clampoline corner profile	5.37
16631	Bracket, equal-sided, self-adhesive	5.34	18074	clampoline corner profile	5.37
16632	Bracket, equal-sided, self-adhesive	5.35	18075	clampoline corner profile	5.37
16634	Bracket, equal-sided, self-adhesive	5.35	18076	clampoline corner profile	5.37
16638	Bracket, equal-sided, self-adhesive	5.34	18077	clampoline corner profile	5.37
16639	Bracket, equal-sided, self-adhesive	5.34	18085	clampoline T-profile	5.36
16640	Bracket, equal-sided, self-adhesive	5.34	18095	clampoline T-profile	5.36
16670	Bracket, equal-sided, self-adhesive	5.35	18125	clampoline hinge profile	5.38
16671	Bracket, equal-sided, self-adhesive	5.35	18135	clampoline hinge profile	5.38
16672	Bracket, equal-sided, self-adhesive	5.35	18641	clampssoft angle profile	5.39
16673	Bracket, equal-sided, self-adhesive	5.35	18642	clampssoft angle profile	5.39
16674	Bracket, equal-sided, self-adhesive	5.35	18643	clampssoft angle profile	5.39
16675	Bracket, equal-sided, self-adhesive	5.35	18644	clampssoft angle profile	5.39
16676	Bracket, equal-sided, self-adhesive	5.35	18645	clampssoft angle profile	5.39
16677	Bracket, equal-sided, self-adhesive	5.35	18646	clampssoft angle profile	5.39
16678	Bracket, equal-sided, self-adhesive	5.35	18647	clampssoft angle profile	5.39
16679	Bracket, equal-sided, self-adhesive	5.35	18651	clampssoft angle profile	5.39
16715	Angle, equal-sided	5.24	18652	clampssoft angle profile	5.39
16716	Angle, equal-sided	5.25	18653	clampssoft angle profile	5.39
16717	Angle, equal-sided	5.25	18654	clampssoft angle profile	5.39
16718	Angle, equal-sided	5.25	18655	clampssoft angle profile	5.39
16719	Angle, equal-sided	5.25	18656	clampssoft angle profile	5.39
16720	Angle, equal-sided	5.25	18657	clampssoft angle profile	5.39
16724	Angle, equal-sided	5.24	18661	clampssoft U-profile	5.40
16726	Angle, equal-sided	5.24	18662	clampssoft U-profile	5.40
16727	Angle, equal-sided	5.25	18663	clampssoft U-profile	5.40
16730	Angle, equal-sided	5.24	18664	clampssoft U-profile	5.40

# Hardware catalogue

## Index

### Item number summary

18665 clampsoft U-profile.....	5.40	21204 Square tube.....	1.25
18666 clampsoft U-profile.....	5.40	21206 Square tube.....	1.25
18667 clampsoft U-profile.....	5.40	21208 Square tube.....	1.25
18671 clampsoft U-profile.....	5.40	21210 Square tube.....	1.25
18672 clampsoft U-profile.....	5.40	21210 Square tube.....	2.18
18673 clampsoft U-profile.....	5.40	21212 Square tube.....	1.25
18674 clampsoft U-profile.....	5.40	21214 Square tube.....	1.25
18675 clampsoft U-profile.....	5.40	21222 Square tube.....	1.25
18676 clampsoft U-profile.....	5.40	21224 Square tube.....	1.25
18677 clampsoft U-profile.....	5.40	21226 Square tube.....	1.25
18684 clampsoft corner profile.....	5.41	21228 Square tube.....	1.25
18685 clampsoft corner profile.....	5.41	21230 Square tube.....	1.25
18686 clampsoft corner profile.....	5.41	21230 Square tube.....	2.18
18687 clampsoft corner profile.....	5.41	21232 Square tube.....	1.25
18694 clampsoft corner profile.....	5.41	21234 Square tube.....	1.25
18695 clampsoft corner profile.....	5.41	21282 Square rod.....	1.24
18696 clampsoft corner profile.....	5.41	21284 Square rod.....	1.24
18697 clampsoft corner profile.....	5.41	21286 Square rod.....	1.24
18973 clampsoft corner for corner profile.....	5.41	21302 Square rod.....	1.24
18974 clampsoft corner for corner profile.....	5.41	21304 Square rod.....	1.24
18975 clampsoft corner for corner profile.....	5.41	21306 Square rod.....	1.24
18976 clampsoft corner for corner profile.....	5.41	21362 Rectangular tube.....	1.25
18980 clampsoft corner for U-profile.....	5.40	21364 Rectangular tube.....	1.25
18981 clampsoft corner for U-profile.....	5.40	21366 Rectangular tube.....	1.25
18982 clampsoft corner for U-profile.....	5.40	21368 Rectangular tube.....	1.25
18983 clampsoft corner for U-profile.....	5.40	21370 Rectangular tube.....	1.25
18984 clampsoft corner for U-profile.....	5.40	21382 Rectangular tube.....	1.25
18985 clampsoft corner for U-profile.....	5.40	21384 Rectangular tube.....	1.25
18986 clampsoft corner for U-profile.....	5.40	21386 Rectangular tube.....	1.25
18990 clampsoft corner for angle profile.....	5.39	21388 Rectangular tube.....	1.25
18991 clampsoft corner for angle profile.....	5.39	21390 Rectangular tube.....	1.25
18992 clampsoft corner for angle profile.....	5.39	21402 Square U.....	1.10
18993 clampsoft corner for angle profile.....	5.39	21404 Square U.....	1.10
18994 clampsoft corner for angle profile.....	5.39	21406 Square U.....	1.10
18995 clampsoft corner for angle profile.....	5.39	21410 Square U.....	1.10
18996 clampsoft corner for angle profile.....	5.39	21410 Square U.....	2.14
20210 Flat bar.....	5.22	21422 Square U.....	1.10
20211 Flat bar.....	5.22	21424 Square U.....	1.10
20212 Flat bar.....	5.22	21426 Square U.....	1.10
20213 Flat bar.....	5.22	21430 Square U.....	1.10
20220 Round tube.....	5.22	21430 Square U.....	2.14
20221 Round tube.....	5.22	21442 Square U.....	1.26
20222 Round tube.....	5.22	21442 Square U.....	3.37
20223 Round tube.....	5.22	21444 Square U.....	1.26
20224 Round tube.....	5.22	21444 Square U.....	3.37
20230 Round bar.....	5.23	21446 Square U.....	1.26
20231 Round bar.....	5.23	21448 Square U.....	1.26
20232 Round bar.....	5.23	21450 Square U.....	1.26
20233 Round bar.....	5.23	21450 Square U.....	2.18
20234 Round bar.....	5.23	21452 Square U.....	1.26
20235 Round bar.....	5.23	21454 Square U.....	1.26
20236 Round bar.....	5.23	21462 Square U.....	1.26
20240 Angle, equal-sided.....	5.22	21462 Square U.....	3.37
20241 Angle, equal-sided.....	5.22	21464 Square U.....	1.26
20242 Angle, equal-sided.....	5.22	21464 Square U.....	3.37
20243 Angle, equal-sided.....	5.22	21466 Square U.....	1.26
20280 Square bar.....	5.23	21468 Square U.....	1.26
20281 Square bar.....	5.23	21470 Square U.....	1.26
20282 Square bar.....	5.23	21470 Square U.....	2.18
21042 Round tube.....	1.24	21472 Square U.....	1.26
21044 Round tube.....	1.24	21474 Square U.....	1.26
21046 Round tube.....	1.24	21484 Rectangular U.....	1.11
21048 Round tube.....	1.24	21486 Rectangular U.....	1.11
21050 Round tube.....	1.24	21488 Rectangular U.....	1.11
21052 Round tube.....	1.24	21504 Rectangular U.....	1.11
21054 Round tube.....	1.24	21506 Rectangular U.....	1.11
21062 Round tube.....	1.24	21508 Rectangular U.....	1.11
21064 Round tube.....	1.24	21522 Rectangular U.....	1.26
21066 Round tube.....	1.24	21524 Rectangular U.....	1.26
21068 Round tube.....	1.24	21526 Rectangular U.....	1.26
21070 Round tube.....	1.24	21528 Rectangular U.....	1.26
21072 Round tube.....	1.24	21530 Rectangular U.....	1.26
21122 Round bar.....	1.24	21532 Rectangular U.....	1.26
21124 Round bar.....	1.24	21534 Rectangular U.....	1.26
21126 Round bar.....	1.24	21542 Rectangular U.....	1.26
21128 Round bar.....	1.24	21544 Rectangular U.....	1.26
21142 Round bar.....	1.24	21546 Rectangular U.....	1.26
21164 Square tube.....	1.08	21548 Rectangular U.....	1.26
21166 Square tube.....	1.08	21550 Rectangular U.....	1.26
21168 Square tube.....	1.08	21552 Rectangular U.....	1.26
21170 Square tube.....	1.08	21554 Rectangular U.....	1.26
21170 Square tube.....	2.13	21566 Angle, equal-sided.....	1.12
21184 Square tube.....	1.08	21568 Angle, equal-sided.....	1.12
21186 Square tube.....	1.08	21570 Angle, equal-sided.....	1.12
21188 Square tube.....	1.08	21572 Angle, equal-sided.....	1.12
21190 Square tube.....	1.08	21586 Angle, equal-sided.....	1.12
21190 Square tube.....	2.13	21588 Angle, equal-sided.....	1.12
21202 Square tube.....	1.25	21590 Angle, equal-sided.....	1.12

# Hardware catalogue

## Index

### Item number summary

21592	Angle, equal-sided	1.12	23056	Square tube, slotted	4.05
21602	Angle, equal-sided	1.27	23061	Angle, equal-sided, slotted	4.07
21604	Angle, equal-sided	1.27	23062	Angle, unequal-sided, slotted	4.07
21606	Angle, equal-sided	1.27	23063	Flat bar, slotted	4.05
21608	Angle, equal-sided	1.27	23066	Square tube, slotted	4.05
21610	Angle, equal-sided	1.27	23101	Angle, equal-sided, slotted	4.07
21612	Angle, equal-sided	1.27	23102	Angle, unequal-sided, slotted	4.07
21614	Angle, equal-sided	1.27	23103	Flat bar, slotted	4.05
21622	Angle, equal-sided	1.27	23104	U-profile, slotted	4.06
21624	Angle, equal-sided	1.27	23105	T-profile, slotted	4.08
21626	Angle, equal-sided	1.27	23106	Square tube, slotted	4.05
21628	Angle, equal-sided	1.27	23111	Angle, equal-sided, slotted	4.07
21630	Angle, equal-sided	1.27	23112	Angle, unequal-sided, slotted	4.07
21632	Angle, equal-sided	1.27	23113	Flat bar, slotted	4.05
21634	Angle, equal-sided	1.27	23116	Square tube, slotted	4.05
21646	Angle, unequal-sided	1.13	23151	Angle, equal-sided, slotted	4.07
21648	Angle, unequal-sided	1.13	23152	Angle, unequal-sided, slotted	4.08
21650	Angle, unequal-sided	1.13	23153	Flat bar, slotted	4.05
21666	Angle, unequal-sided	1.13	23154	U-profile, slotted	4.06
21668	Angle, unequal-sided	1.13	23155	T-profile, slotted	4.08
21670	Angle, unequal-sided	1.13	23156	Square tube, slotted	4.06
21682	Angle, unequal-sided	1.27	23161	Angle, equal-sided, slotted	4.07
21684	Angle, unequal-sided	1.27	23162	Angle, unequal-sided, slotted	4.08
21686	Angle, unequal-sided	1.27	23163	Flat bar, slotted	4.05
21688	Angle, unequal-sided	1.27	23166	Square tube, slotted	4.06
21690	Angle, unequal-sided	1.27	23171	Angle, equal-sided, slotted	4.07
21692	Angle, unequal-sided	1.27	23181	Angle, equal-sided, slotted	4.07
21694	Angle, unequal-sided	1.27	23201	Angle, equal-sided, slotted	4.07
21702	Angle, unequal-sided	1.27	23211	Angle, equal-sided, slotted	4.07
21704	Angle, unequal-sided	1.27	23251	Angle, equal-sided, slotted	4.07
21706	Angle, unequal-sided	1.27	23252	Angle, unequal-sided, slotted	4.08
21708	Angle, unequal-sided	1.27	23253	Flat bar, slotted	4.05
21710	Angle, unequal-sided	1.27	23254	U-profile, slotted	4.06
21712	Angle, unequal-sided	1.27	23255	T-profile, slotted	4.08
21714	Angle, unequal-sided	1.27	23256	Square tube, slotted	4.06
21762	Square T	1.28	23261	Angle, equal-sided, slotted	4.07
21764	Square T	1.28	23262	Angle, unequal-sided, slotted	4.08
21766	Square T	1.28	23263	Flat bar, slotted	4.05
21768	Square T	1.28	23266	Square tube, slotted	4.06
21782	Square T	1.28	23321	Angle, equal-sided, slotted	4.07
21784	Square T	1.28	23331	Angle, equal-sided, slotted	4.07
21786	Square T	1.28	25002	Round tube	1.07
21788	Square T	1.28	25004	Round tube	1.07
21806	Flat bar	1.13	25006	Round tube	1.07
21808	Flat bar	1.13	25008	Round tube	1.07
21810	Flat bar	1.13	25010	Round tube	1.07
21812	Flat bar	1.13	25012	Round tube	1.07
21814	Flat bar	1.13	25014	Round tube	1.07
21826	Flat bar	1.13	25022	Round tube	1.07
21828	Flat bar	1.13	25024	Round tube	1.07
21830	Flat bar	1.13	25026	Round tube	1.07
21832	Flat bar	1.13	25028	Round tube	1.07
21834	Flat bar	1.13	25030	Round tube	1.07
21842	Flat bar	1.28	25032	Round tube	1.07
21844	Flat bar	1.28	25034	Round tube	1.07
21846	Flat bar	1.28	25082	Round bar	1.07
21848	Flat bar	1.28	25084	Round bar	1.07
21850	Flat bar	1.28	25086	Round bar	1.07
21852	Flat bar	1.28	25088	Round bar	1.07
21854	Flat bar	1.28	25102	Round bar	1.07
21862	Flat bar	1.28	25104	Round bar	1.07
21864	Flat bar	1.28	25106	Round bar	1.07
21866	Flat bar	1.28	25108	Round bar	1.07
21868	Flat bar	1.28	25162	Square tube	1.08
21870	Flat bar	1.28	25164	Square tube	1.08
21872	Flat bar	1.28	25166	Square tube	1.08
21874	Flat bar	1.28	25168	Square tube	1.08
21890	Square tube, 1 branch	1.15	25170	Square tube	1.08
21890	Square tube, 1 branch	2.15	25170	Square tube	2.13
21910	Square tube, 1 branch	1.15	25171	Square tube	1.08
21910	Square tube, 1 branch	2.15	25171	Square tube	2.13
23001	Angle, equal-sided, slotted	4.07	25172	Square tube	1.08
23002	Angle, unequal-sided, slotted	4.07	25174	Square tube	1.08
23003	Flat bar, slotted	4.05	25182	Square tube	1.08
23004	U-profile, slotted	4.06	25184	Square tube	1.08
23005	T-profile, slotted	4.08	25186	Square tube	1.08
23006	Square tube, slotted	4.05	25188	Square tube	1.08
23011	Angle, equal-sided, slotted	4.07	25190	Square tube	1.08
23012	Angle, unequal-sided, slotted	4.07	25190	Square tube	2.13
23013	Flat bar, slotted	4.05	25191	Square tube	1.08
23016	Square tube, slotted	4.05	25191	Square tube	2.13
23021	Angle, equal-sided, slotted	4.07	25192	Square tube	1.08
23031	Angle, equal-sided, slotted	4.07	25194	Square tube	1.08
23051	Angle, equal-sided, slotted	4.07	25210	Square tube	2.18
23052	Angle, unequal-sided, slotted	4.07	25230	Square tube	2.18
23053	Flat bar, slotted	4.05	25242	Square rod	1.09
23054	U-profile, slotted	4.06	25244	Square rod	1.09
23055	T-profile, slotted	4.08	25246	Square rod	1.09

# Hardware catalogue

## Index

### Item number summary

25248 Square rod .....	1.09	25728 Square T.....	1.14
25264 Square rod .....	1.09	25742 Square T.....	1.14
25266 Square rod .....	1.09	25744 Square T.....	1.14
25268 Square rod .....	1.09	25746 Square T.....	1.14
25322 Rectangular tube.....	1.09	25748 Square T.....	1.14
25324 Rectangular tube.....	1.09	25802 Flat bar .....	1.13
25326 Rectangular tube.....	1.09	25804 Flat bar .....	1.13
25328 Rectangular tube.....	1.09	25806 Flat bar .....	1.13
25330 Rectangular tube.....	1.09	25808 Flat bar .....	1.13
25332 Rectangular tube.....	1.09	25810 Flat bar .....	1.13
25334 Rectangular tube.....	1.09	25812 Flat bar .....	1.13
25342 Rectangular tube.....	1.09	25814 Flat bar .....	1.13
25344 Rectangular tube.....	1.09	25822 Flat bar .....	1.13
25346 Rectangular tube.....	1.09	25824 Flat bar .....	1.13
25348 Rectangular tube.....	1.09	25826 Flat bar .....	1.13
25350 Rectangular tube.....	1.09	25828 Flat bar .....	1.13
25352 Rectangular tube.....	1.09	25830 Flat bar .....	1.13
25354 Rectangular tube.....	1.09	25832 Flat bar .....	1.13
25402 Square U .....	1.10	25834 Flat bar .....	1.13
25402 Square U .....	3.37	25882 Square tube, 1 branch.....	1.15
25404 Square U .....	1.10	25884 Square tube, 1 branch.....	1.15
25404 Square U .....	3.37	25886 Square tube, 1 branch.....	1.15
25406 Square U .....	1.10	25888 Square tube, 1 branch.....	1.15
25408 Square U .....	1.10	25890 Square tube, 1 branch.....	1.15
25410 Square U .....	1.10	25890 Square tube, 1 branch.....	2.15
25410 Square U .....	2.14	25891 Square tube, 1 branch.....	1.15
25411 Square U .....	1.10	25891 Square tube, 1 branch.....	2.15
25411 Square U .....	2.14	25892 Square tube, 1 branch.....	1.15
25412 Square U .....	1.10	25894 Square tube, 1 branch.....	1.15
25414 Square U .....	1.10	25902 Square tube, 1 branch.....	1.15
25422 Square U .....	1.10	25904 Square tube, 1 branch.....	1.15
25422 Square U .....	3.37	25906 Square tube, 1 branch.....	1.15
25424 Square U .....	1.10	25908 Square tube, 1 branch.....	1.15
25424 Square U .....	3.37	25910 Square tube, 1 branch.....	1.15
25426 Square U .....	1.10	25910 Square tube, 1 branch.....	2.15
25428 Square U .....	1.10	25911 Square tube, 1 branch.....	1.15
25430 Square U .....	1.10	25911 Square tube, 1 branch.....	2.15
25430 Square U .....	2.14	25912 Square tube, 1 branch.....	1.15
25431 Square U .....	1.10	25914 Square tube, 1 branch.....	1.15
25431 Square U .....	2.14	25922 Square tube, 2 branches inside.....	1.17
25432 Square U .....	1.10	25930 Square tube, 2 branches inside.....	1.17
25434 Square U .....	1.10	25930 Square tube, 2 branches inside.....	2.17
25450 Square U .....	2.18	25950 Square tube, 2 branches inside.....	1.17
25482 Rectangular U .....	1.11	25950 Square tube, 2 branches inside.....	2.17
25484 Rectangular U .....	1.11	25962 Square U, 2 branches 180°.....	1.16
25486 Rectangular U .....	1.11	25962 Square U, 2 branches 180°.....	3.37
25488 Rectangular U .....	1.11	25964 Square U, 2 branches 180°.....	1.16
25490 Rectangular U .....	1.11	25964 Square U, 2 branches 180°.....	3.37
25492 Rectangular U .....	1.11	25966 Square U, 2 branches 180°.....	1.16
25494 Rectangular U .....	1.11	25968 Square U, 2 branches 180°.....	1.16
25502 Rectangular U .....	1.11	25970 Square U, 2 branches 180°.....	1.16
25504 Rectangular U .....	1.11	25970 Square U, 2 branches 180°.....	2.16
25506 Rectangular U .....	1.11	25972 Square U, 2 branches 180°.....	1.16
25508 Rectangular U .....	1.11	25974 Square U, 2 branches 180°.....	1.16
25510 Rectangular U .....	1.11	25982 Square U, 2 branches 180°.....	1.16
25512 Rectangular U .....	1.11	25982 Square U, 2 branches 180°.....	3.37
25514 Rectangular U .....	1.11	25984 Square U, 2 branches 180°.....	1.16
25562 Angle, equal-sided.....	1.11	25984 Square U, 2 branches 180°.....	3.37
25564 Angle, equal-sided.....	1.11	25986 Square U, 2 branches 180°.....	1.16
25566 Angle, equal-sided.....	1.11	25988 Square U, 2 branches 180°.....	1.16
25568 Angle, equal-sided.....	1.11	25990 Square U, 2 branches 180°.....	1.16
25570 Angle, equal-sided.....	1.11	25990 Square U, 2 branches 180°.....	2.16
25572 Angle, equal-sided.....	1.11	25992 Square U, 2 branches 180°.....	1.16
25574 Angle, equal-sided.....	1.11	25994 Square U, 2 branches 180°.....	1.16
25582 Angle, equal-sided.....	1.11	26002 Square tube, 2 branches offset.....	1.17
25584 Angle, equal-sided.....	1.11	26010 Square tube, 2 branches offset.....	1.17
25586 Angle, equal-sided.....	1.11	26010 Square tube, 2 branches offset.....	2.17
25588 Angle, equal-sided.....	1.11	26030 Square tube, 2 branches offset.....	1.17
25590 Angle, equal-sided.....	1.11	26030 Square tube, 2 branches offset.....	2.17
25592 Angle, equal-sided.....	1.11	26042 Tube, 1 short branch, vibratory finish.....	1.18
25594 Angle, equal-sided.....	1.11	26044 Tube, 1 short branch, vibratory finish.....	1.18
25642 Angle, unequal-sided.....	1.12	26046 Tube, 1 short branch, vibratory finish.....	1.18
25644 Angle, unequal-sided.....	1.12	26048 Tube, 1 short branch, vibratory finish.....	1.18
25646 Angle, unequal-sided.....	1.12	26062 Tube, 1 short branch.....	1.17
25648 Angle, unequal-sided.....	1.12	26064 Tube, 1 short branch.....	1.17
25650 Angle, unequal-sided.....	1.12	26066 Tube, 1 short branch.....	1.17
25652 Angle, unequal-sided.....	1.12	26068 Tube, 1 short branch.....	1.17
25654 Angle, unequal-sided.....	1.12	26090 Square tube, 2 branches 180°.....	1.16
25662 Angle, unequal-sided.....	1.12	26090 Square tube, 2 branches 180°.....	2.16
25664 Angle, unequal-sided.....	1.12	26110 Square tube, 2 branches 180°.....	1.16
25666 Angle, unequal-sided.....	1.12	26110 Square tube, 2 branches 180°.....	2.16
25668 Angle, unequal-sided.....	1.12	26124 Tube, 1 long branch, vibratory finish.....	1.18
25670 Angle, unequal-sided.....	1.12	26128 Tube, 1 long branch, vibratory finish.....	1.18
25672 Angle, unequal-sided.....	1.12	26144 Tube, 1 long branch.....	1.18
25674 Angle, unequal-sided.....	1.12	26148 Tube, 1 long branch.....	1.18
25722 Square T.....	1.14	26204 Tube, 2 branches 180°, vibratory finish.....	1.19
25724 Square T.....	1.14	26208 Tube, 2 branches 180°, vibratory finish.....	1.19
25726 Square T.....	1.14	26224 Tube, 2 branches 180°.....	1.19

# Hardware catalogue

## Index

### Item number summary

26228	Tube, 2 branches 180°	1.19	28524	90° square connector, 2 spigots	2.05
26284	Tube, 2 branches 90°, vibratory finish	1.20	28525	45° 3-D T-connector, left, 3 spigots	2.07
26288	Tube, 2 branches 90°, vibratory finish	1.20	28526	Flange connector, 1 spigot	2.08
26304	Tube, 2 branches 90°	1.20	28527	90° nodal connector, 6 spigots	2.07
26308	Tube, 2 branches 90°	1.20	28544	90° T-connector, 3 spigots	2.05
26364	Double tube, vibratory finish	1.21	28545	45° 3-D T-connector, right, 3 spigots	2.07
26384	Double tube	1.20	28546	Articulated flange connector, 1 spigot	2.08
26444	Triple tube, vibratory finish	1.21	28564	90° T-connector, 3 spigots	2.05
26524	Tube-tube 90°, vibratory finishing	1.21	28565	45° 3-D T-connector, right, 3 spigots	2.07
26604	Short tube sleeve, vibratory finish	1.22	28566	Articulated flange connector, 1 spigot	2.08
26608	Short tube sleeve, vibratory finish	1.22	28584	90° edge connector, 3 spigots	2.05
26624	Short tube sleeve	1.22	28585	45° nodal connector, 4 spigots	2.08
26628	Short tube sleeve	1.22	28586	Cross connector, 4 spigots	2.06
26684	Long tube sleeve, vibratory finish	1.23	28604	90° edge connector, 3 spigots	2.05
26704	Long tube sleeve	1.22	28605	45° nodal connector, 4 spigots	2.08
26708	Long tube sleeve	1.22	28606	Cross connector, 4 spigots	2.06
27040	Covering profile, one-sided	3.27	28624	90° nodal connector, 4 spigots	2.06
27042	Covering profile, one-sided, vibratory finish	3.29	28625	Articulated connector, 2 spigots	2.09
27060	Covering profile, two-sided	3.27	28626	90° nodal connector, 5 spigots	2.06
27080	Support profile, one-sided	3.27	28644	90° nodal connector, 4 spigots	2.06
27100	Support profile, two-sided	3.28	28645	Articulated connector, 2 spigots	2.09
27120	Angle profile, two-sided	3.29	28646	90° nodal connector, 5 spigots	2.06
27140	Angle profile, one-sided	3.28	28660	Adapter sleeve	2.10
27160	Hinge profile	3.28	28661	Universal deburrer	1.31
27180	Support profile, one-sided	3.27	28661	Universal deburrer	2.10
27200	Support profile, two-sided	3.28	28661	Universal deburrer	4.13
27220	Angle profile, two-sided	3.29	28668	Round bar	1.19
27240	Angle profile, one-sided	3.28	28669	Square tube, 2 branches 180°	1.16
27260	Hinge profile	3.28	28670	H section	1.14
27280	Support profile, one-sided	3.27	28671	T-profile	1.14
27300	Support profile, two-sided	3.28	28672	Square tube, 1 branch offset	1.16
27320	Angle profile, two-sided	3.29	28683	Countersunk screw set	1.36
27340	Angle profile, one-sided	3.28	28684	Countersunk screw set	1.36
27360	Hinge profile	3.28	28685	Countersunk screw set	1.36
27500	Round tube	3.31	28700	H section	1.14
27501	Round tube	3.31	28700	H section	2.16
27520	Round tube	3.31	28701	Square tube, 1 branch offset	1.16
27521	Round tube	3.31	28701	Square tube, 1 branch offset	2.17
27540	Round tube	3.31	28720	H section	1.14
27541	Round tube	3.31	28720	H section	2.16
27560	Square tube	3.31	28721	Square tube, 1 branch offset	1.16
27561	Square tube	3.31	28721	Square tube, 1 branch offset	2.17
27580	Square tube	3.31	29796	Gusset	1.31
27581	Square tube	3.31	29797	Gusset	1.31
27600	Square tube	3.31	29798	Gusset	1.31
27601	Square tube	3.31	29799	Step drill	1.31
27742	Hanging kit	3.32	29804	End cap, round	1.32
27802	Corner angle 90° set	3.32	29806	End cap, round	1.32
27803	Corner angle 90° set	3.32	29808	End cap, round	1.32
27804	Corner angle 90° set	3.32	29810	End cap, round	1.32
27822	Corner angle 120° set	3.32	29812	End cap, round	1.32
27823	Corner angle 120° set	3.32	29814	End cap, round	1.32
27824	Corner angle 120° set	3.32	29824	End cap, square	1.32
27840	Angle, equal-sided	3.35	29826	End cap, square	1.32
27841	Angle, equal-sided	3.35	29828	End cap, square	1.32
27845	Angle, inside, equal-sided	3.36	29830	End cap, square	1.32
27846	Angle, inside, equal-sided	3.36	29830	End cap, square	2.12
27850	Angle, equal-sided	3.35	29832	End cap, square	1.32
27851	Angle, equal-sided	3.35	29834	End cap, square	1.32
27855	Angle, inside, equal-sided	3.36	29848	End cap, rectangular	1.32
27856	Angle, inside, equal-sided	3.36	29850	End cap, rectangular	1.32
27860	Angle, equal-sided	3.35	29862	Compression spring	1.35
27861	Angle, equal-sided	3.35	29864	Compression spring	1.35
27870	Angle, equal-sided	3.35	29866	Compression spring	1.35
27871	Angle, equal-sided	3.35	29868	Compression spring	1.35
27880	Angle, equal-sided	3.35	29870	Compression spring	1.35
27881	Angle, equal-sided	3.35	29872	Compression spring	1.35
27890	Angle, unequal-sided	3.35	29874	Compression spring	1.35
27891	Angle, unequal-sided	3.35	29882	Compression spring	1.35
27900	Angle, unequal-sided	3.35	29884	Compression spring	1.35
27901	Angle, unequal-sided	3.35	29886	Compression spring	1.35
27910	Angle, unequal-sided	3.35	29888	Compression spring	1.35
27911	Angle, unequal-sided	3.35	29890	Compression spring	1.35
27920	Square U	3.35	29892	Compression spring	1.35
27921	Square U	3.35	29894	Compression spring	1.35
27930	Square U	3.35	29902	Tension spring	1.35
27931	Square U	3.35	29904	Tension spring	1.35
27940	Square U	3.35	29906	Tension spring	1.35
27941	Square U	3.35	29908	Tension spring	1.35
27950	Angle, equal-sided 120°	3.31	29910	Tension spring	1.35
28400	Square tube	2.13	29912	Tension spring	1.35
28401	Square tube	2.13	29914	Tension spring	1.35
28402	Square tube	2.13	29922	Tension spring	1.36
28405	Square tube	2.18	29924	Tension spring	1.36
28504	90° square connector, 2 spigots	2.05	29926	Tension spring	1.36
28505	45° 3-D T-connector, left, 3 spigots	2.07	29928	Tension spring	1.36
28506	Flange connector, 1 spigot	2.08	29930	Tension spring	1.36
28507	90° nodal connector, 6 spigots	2.07	29932	Tension spring	1.36



# Hardware catalogue

## Index

### Item number summary

29934 Tension spring.....	1.36	30144 Wing nut, American shape.....	1.39
30000 Metric threaded rod.....	1.29	30145 Wing nut, American shape.....	1.39
30001 Metric threaded rod.....	1.29	30146 Wing nut, American shape.....	1.39
30002 Metric threaded rod.....	1.29	30154 Lifting eye nut, DIN 582.....	1.39
30003 Metric threaded rod.....	1.29	30156 Lifting eye nut, DIN 582.....	1.39
30004 Metric threaded rod.....	1.29	30162 Knurled nut, black, with thread.....	1.40
30005 Metric threaded rod.....	1.29	30164 Knurled nut, black, with thread.....	1.40
30006 Metric threaded rod.....	1.29	30172 Anchor nut, DIN 7965.....	1.40
30007 Metric threaded rod.....	1.29	30173 Anchor nut, DIN 7965.....	1.40
30008 Metric threaded rod.....	1.29	30174 Anchor nut, DIN 7965.....	1.40
30009 Metric threaded rod.....	1.29	30175 Anchor nut, DIN 7965.....	1.40
30014 Metric threaded rod.....	1.29	30176 Anchor nut, DIN 7965.....	1.40
30015 Metric threaded rod.....	1.29	30182 Hexagon connection sleeve.....	1.41
30016 Metric threaded rod.....	1.29	30183 Hexagon connection sleeve.....	1.41
30018 Metric threaded rod.....	1.29	30184 Hexagon connection sleeve.....	1.41
30019 Metric threaded rod.....	1.29	30185 Hexagon connection sleeve.....	1.41
30020 Metric threaded rod.....	1.29	30186 Hexagon connection sleeve.....	1.41
30021 Metric threaded rod.....	1.29	30192 Turnbuckle with hook and eye, DIN 1480.....	1.36
30022 Metric threaded rod.....	1.29	30194 Turnbuckle with hook and eye, DIN 1480.....	1.36
30023 Metric threaded rod.....	1.29	30204 Hinged plate, black, with thread.....	1.41
30024 Metric threaded rod.....	1.29	30215 Hexagon nut.....	1.37
30025 Metric threaded rod.....	1.29	30224 Hand wheel, black, with thread.....	1.40
30026 Metric threaded rod.....	1.29	30225 Hand wheel, black, with thread.....	1.40
30028 Metric threaded rod.....	1.29	30230 Washer, DIN 9021.....	1.45
30029 Metric threaded rod.....	1.29	30231 Washer, DIN 9021.....	1.45
30030 Metric threaded rod.....	1.30	30232 Washer, DIN 9021.....	1.45
30031 Metric threaded rod.....	1.30	30233 Washer, DIN 9021.....	1.45
30032 Metric threaded rod.....	1.30	30234 Washer, DIN 9021.....	1.45
30033 Metric threaded rod.....	1.30	30235 Washer, DIN 9021.....	1.45
30034 Metric threaded rod.....	1.30	30236 Washer, DIN 9021.....	1.45
30035 Metric threaded rod.....	1.30	30237 Washer, DIN 9021.....	1.45
30042 Metric threaded rod.....	1.30	30238 Washer, DIN 9021.....	1.45
30043 Metric threaded rod.....	1.30	30239 Washer, DIN 9021.....	1.45
30044 Metric threaded rod.....	1.30	30240 Washer, DIN 9021.....	1.45
30052 Rubber cap.....	1.33	30241 Washer, DIN 9021.....	1.45
30053 Rubber cap.....	1.33	30242 Washer, DIN 9021.....	1.45
30054 Rubber cap.....	1.33	30243 Washer, DIN 9021.....	1.45
30055 Rubber cap.....	1.33	30244 Washer, DIN 9021.....	1.45
30056 Rubber cap.....	1.33	30245 Washer, DIN 9021.....	1.45
30058 Rubber cap.....	1.33	30246 Washer, DIN 9021.....	1.45
30059 Rubber cap.....	1.33	30248 Washer, DIN 9021.....	1.45
30060 Hexagon nut, DIN 934.....	1.37	30249 Washer, DIN 9021.....	1.45
30061 Hexagon nut, DIN 934.....	1.37	30260 Washer, DIN 9021.....	1.46
30062 Hexagon nut, DIN 934.....	1.37	30261 Washer, DIN 9021.....	1.46
30063 Hexagon nut, DIN 934.....	1.37	30262 Washer, DIN 9021.....	1.46
30064 Hexagon nut, DIN 934.....	1.37	30263 Washer, DIN 9021.....	1.46
30065 Hexagon nut, DIN 934.....	1.37	30264 Washer, DIN 9021.....	1.46
30066 Hexagon nut, DIN 934.....	1.37	30265 Washer, DIN 9021.....	1.46
30067 Hexagon nut, DIN 934.....	1.37	30266 Washer, DIN 9021.....	1.46
30068 Hexagon nut, DIN 934.....	1.37	30270 Washer, DIN 125.....	1.46
30069 Hexagon nut, DIN 934.....	1.37	30271 Washer, DIN 125.....	1.46
30070 Hexagon nut, DIN 934.....	1.37	30272 Washer, DIN 125.....	1.46
30071 Hexagon nut, DIN 934.....	1.37	30273 Washer, DIN 125.....	1.46
30072 Hexagon nut, DIN 934.....	1.37	30274 Washer, DIN 125.....	1.46
30073 Hexagon nut, DIN 934.....	1.37	30275 Washer, DIN 125.....	1.46
30074 Hexagon nut, DIN 934.....	1.37	30276 Washer, DIN 125.....	1.46
30075 Hexagon nut, DIN 934.....	1.37	30277 Washer, DIN 125.....	1.46
30076 Hexagon nut, DIN 934.....	1.37	30278 Washer, DIN 125.....	1.46
30078 Hexagon nut, DIN 934.....	1.37	30279 Washer, DIN 125.....	1.46
30079 Hexagon nut, DIN 934.....	1.37	30280 Washer, DIN 125.....	1.47
30100 Hexagon nut, self-locking, DIN 985.....	1.38	30281 Washer, DIN 125.....	1.47
30101 Hexagon nut, self-locking, DIN 985.....	1.38	30282 Washer, DIN 125.....	1.47
30102 Hexagon nut, self-locking, DIN 985.....	1.38	30283 Washer, DIN 125.....	1.47
30103 Hexagon nut, self-locking, DIN 985.....	1.38	30284 Washer, DIN 125.....	1.47
30104 Hexagon nut, self-locking, DIN 985.....	1.38	30285 Washer, DIN 125.....	1.47
30105 Hexagon nut, self-locking, DIN 985.....	1.38	30286 Washer, DIN 125.....	1.47
30106 Hexagon nut, self-locking, DIN 985.....	1.38	30288 Washer, DIN 125.....	1.47
30108 Hexagon nut, self-locking, DIN 985.....	1.38	30289 Washer, DIN 125.....	1.47
30109 Hexagon nut, self-locking, DIN 985.....	1.38	30320 Serrated lock washer, DIN 6798A.....	1.47
30112 Hexagon cap nut, self-locking, DIN 986.....	1.38	30321 Serrated lock washer, DIN 6798A.....	1.47
30113 Hexagon cap nut, self-locking, DIN 986.....	1.38	30322 Serrated lock washer, DIN 6798A.....	1.47
30114 Hexagon cap nut, self-locking, DIN 986.....	1.38	30323 Serrated lock washer, DIN 6798A.....	1.47
30115 Hexagon cap nut, self-locking, DIN 986.....	1.38	30324 Serrated lock washer, DIN 6798A.....	1.47
30116 Hexagon cap nut, self-locking, DIN 986.....	1.38	30325 Serrated lock washer, DIN 6798A.....	1.47
30122 Hexagon cap.....	1.34	30326 Serrated lock washer, DIN 6798A.....	1.47
30123 Hexagon cap.....	1.34	30332 Adjustable ring, DIN 705.....	1.43
30124 Hexagon cap.....	1.34	30333 Adjustable ring, DIN 705.....	1.43
30125 Hexagon cap.....	1.34	30334 Adjustable ring, DIN 705.....	1.43
30126 Hexagon cap.....	1.34	30335 Adjustable ring, DIN 705.....	1.43
30128 Hexagon cap.....	1.34	30336 Adjustable ring, DIN 705.....	1.43
30129 Hexagon cap.....	1.34	30342 Eye bolt, DIN 444.....	1.42
30132 Square nut, self-locking; DIN 557.....	1.39	30344 Eye bolt, DIN 444.....	1.42
30133 Square nut, self-locking; DIN 557.....	1.39	30354 Adjustable foot, black, with thread.....	1.42
30134 Square nut, self-locking; DIN 557.....	1.39	30364 Rubber buffer, black, with thread.....	1.41
30135 Square nut, self-locking; DIN 557.....	1.39	30374 Rubber buffer, black, with double-sided thread.....	1.42
30136 Square nut, self-locking; DIN 557.....	1.39	30383 Threaded plug.....	1.33
30142 Wing nut, American shape.....	1.39	30383 Threaded plug.....	2.11
30143 Wing nut, American shape.....	1.39	30384 Adjustable foot.....	1.34

# Hardware catalogue

## Index

### Item number summary

30384 Adjustable foot.....	2.11	34124 Round tube.....	6.06
30385 Furniture caster.....	1.33	34130 Round bar.....	6.06
30385 Furniture caster.....	2.11	34131 Round bar.....	6.06
30386 Furniture caster.....	1.33	34132 Round bar.....	6.06
30386 Furniture caster.....	2.11	34140 Angle, equal-sided.....	6.05
30400 Case corner.....	3.38	34141 Angle, equal-sided.....	6.05
30401 Case corner.....	3.38	34142 Angle, equal-sided.....	6.05
30402 Case corner.....	3.38	34143 Angle, equal-sided.....	6.05
30403 Case corner.....	3.38	34144 Angle, equal-sided.....	6.05
30404 Case corner.....	3.38	34151 Angle, unequal-sided.....	6.05
30410 Mutlitube sleeve nut kit.....	3.33	34162 Square U.....	6.06
30420 Primatech sleeve nut kit, uncoated.....	3.29	34170 Square tube.....	6.07
30450 Sealing profile.....	3.38	34171 Square tube.....	6.07
30451 Sealing profile.....	3.38	34172 Square tube.....	6.07
30452 Sealing profile.....	3.30	34173 Rectangular tube.....	6.07
30453 Sealing profile.....	3.30	34174 Rectangular tube.....	6.07
30454 Edge protecting profile.....	3.33	34180 Angle, equal-sided.....	6.05
30455 Edge protecting profile.....	3.33	34181 Angle, equal-sided.....	6.05
30460 Perforated sheet hook, small.....	3.34	34182 Angle, equal-sided.....	6.05
30461 Perforated sheet hook, large.....	3.34	34183 Angle, equal-sided.....	6.05
30470 Gusset.....	3.38	34184 Angle, equal-sided.....	6.05
30471 Gusset.....	3.38	34185 Angle, equal-sided.....	6.05
30683 Hard ferrite magnet with plastic case.....	3.33	34186 Angle, equal-sided.....	6.05
30691 Adhesive cord, strapless, with covering tape.....	3.30	34187 Angle, equal-sided.....	6.05
30693 Double adhesive tape with intermediate support.....	3.30	34310 Flat bar, hot-rolled.....	6.08
30707 Metric threaded rod.....	1.29	34311 Flat bar, hot-rolled.....	6.08
30718 Metric threaded rod.....	1.29	34312 Flat bar, hot-rolled.....	6.08
30770 Set: Hexagon nuts, DIN 934, with washers, DIN 9021.....	1.43	34313 Flat bar, hot-rolled.....	6.08
30771 Set: Hexagon nuts, DIN 934, with washers, DIN 9021.....	1.43	34314 Flat bar, hot-rolled.....	6.08
30772 Set: Hexagon nuts, DIN 934, with washers, DIN 9021.....	1.43	34315 Flat bar, hot-rolled.....	6.08
30773 Set: Hexagon nuts, DIN 934, with washers, DIN 9021.....	1.43	34317 Flat bar, hot-rolled.....	6.08
30774 Set: Hexagon nuts, DIN 934, with washers, DIN 9021.....	1.43	34318 Flat bar, hot-rolled.....	6.08
30775 Set: Hexagon nuts, DIN 934, with washers, DIN 9021.....	1.43	34319 Flat bar, hot-rolled.....	6.08
30776 Set: Hexagon nuts, DIN 934, with washers, DIN 9021.....	1.43	34320 Flat bar, hot-rolled.....	6.08
30777 Set: Hexagon nuts, DIN 934, with washers, DIN 9021.....	1.43	34321 Flat bar, hot-rolled.....	6.08
30778 Set: Hexagon nuts, DIN 934, with washers, DIN 9021.....	1.43	34330 Round tube in cold rolled steel.....	6.10
30779 Set: Hexagon nuts, DIN 934, with washers, DIN 9021.....	1.43	34331 Round tube in cold rolled steel.....	6.10
30780 Set: Hexagon nuts, DIN 934, with washers, DIN 9021.....	1.44	34332 Round tube in cold rolled steel.....	6.10
30781 Set: Hexagon nuts, DIN 934, with washers, DIN 9021.....	1.44	34333 Round tube in cold rolled steel.....	6.10
30782 Set: Hexagon nuts, DIN 934, with washers, DIN 9021.....	1.44	34334 Round tube in cold rolled steel.....	6.10
30783 Set: Hexagon nuts, DIN 934, with washers, DIN 9021.....	1.44	34335 Round tube in cold rolled steel.....	6.10
30784 Set: Hexagon nuts, DIN 934, with washers, DIN 9021.....	1.44	34336 Round tube in cold rolled steel.....	6.10
30785 Set: Hexagon nuts, DIN 934, with washers, DIN 9021.....	1.44	34337 Round tube in cold rolled steel.....	6.10
30786 Set: Hexagon nuts, DIN 934, with washers, DIN 9021.....	1.44	34338 Round tube in cold rolled steel.....	6.10
30790 Set: Hexagon nuts, DIN 934, with washers, DIN 9021.....	1.44	34340 Round tube in cold rolled steel.....	6.10
30791 Set: Hexagon nuts, DIN 934, with washers, DIN 9021.....	1.44	34350 Round bar, hot-rolled.....	6.10
30792 Set: Hexagon nuts, DIN 934, with washers, DIN 9021.....	1.44	34351 Round bar, hot-rolled.....	6.10
30793 Set: Hexagon nuts, DIN 934, with washers, DIN 9021.....	1.44	34352 Round bar, hot-rolled.....	6.10
30794 Set: Hexagon nuts, DIN 934, with washers, DIN 9021.....	1.44	34353 Round bar, hot-rolled.....	6.10
30795 Set: Hexagon nuts, DIN 934, with washers, DIN 9021.....	1.44	34354 Round bar, hot-rolled.....	6.10
30796 Set: Hexagon nuts, DIN 934, with washers, DIN 9021.....	1.44	34360 Angle, equal-sided in cold rolled steel.....	6.09
31890 Builder's square with spirit level.....	1.51	34361 Angle, equal-sided in cold rolled steel.....	6.09
31891 Builder's square with spirit level.....	1.51	34362 Angle, equal-sided in cold rolled steel.....	6.09
31892 Builder's square with spirit level.....	1.51	34363 Angle, equal-sided in cold rolled steel.....	6.09
31893 Builder's square with spirit level.....	1.51	34364 Angle, equal-sided hot-rolled.....	6.08
34010 Flat bar.....	6.05	34365 Angle, equal-sided hot-rolled.....	6.08
34011 Flat bar.....	6.05	34366 Angle, equal-sided hot-rolled.....	6.08
34012 Flat bar.....	6.05	34367 Angle, equal-sided hot-rolled.....	6.08
34020 Round tube.....	6.06	34368 Angle, equal-sided hot-rolled.....	6.08
34021 Round tube.....	6.06	34370 Angle, unequal-sided in cold rolled steel.....	6.09
34022 Round tube.....	6.06	34380 U-profile.....	6.09
34023 Round tube.....	6.06	34381 U-profile.....	6.09
34024 Round tube.....	6.06	34382 U-profile.....	6.09
34030 Round bar.....	6.06	34383 U-profile.....	6.09
34031 Round bar.....	6.06	34390 Square tube, cold-rolled.....	6.11
34032 Round bar.....	6.06	34391 Square tube, cold-rolled.....	6.11
34040 Angle, equal-sided.....	6.05	34392 Square tube, cold-rolled.....	6.11
34041 Angle, equal-sided.....	6.05	34393 Square tube, cold-rolled.....	6.11
34042 Angle, equal-sided.....	6.05	34394 Square tube, cold-rolled.....	6.11
34043 Angle, equal-sided.....	6.05	34396 Square tube, cold-rolled.....	6.11
34044 Angle, equal-sided.....	6.05	34397 Square tube, cold-rolled.....	6.11
34045 Angle, equal-sided.....	6.05	34398 Square tube, cold-rolled.....	6.11
34046 Angle, equal-sided.....	6.05	34399 Square tube, cold-rolled.....	6.11
34047 Angle, equal-sided.....	6.05	34410 Rectangular tube.....	6.11
34051 Angle, unequal-sided.....	6.05	34411 Rectangular tube.....	6.11
34062 Square U.....	6.06	34412 Rectangular tube.....	6.11
34070 Square tube.....	6.07	34413 Rectangular tube.....	6.11
34071 Square tube.....	6.07	34420 Square bar, hot-rolled.....	6.12
34072 Square tube.....	6.07	34421 Square bar, hot-rolled.....	6.12
34073 Rectangular tube.....	6.07	34422 Square bar, hot-rolled.....	6.12
34074 Rectangular tube.....	6.07	34423 Square bar, hot-rolled.....	6.12
34110 Flat bar.....	6.05	34424 Square bar, hot-rolled.....	6.12
34111 Flat bar.....	6.05	34430 T-profile, hot-rolled.....	6.13
34112 Flat bar.....	6.05	34431 T-profile, hot-rolled.....	6.13
34120 Round tube.....	6.06	34440 Square bar, hot-rolled, coiled.....	6.12
34121 Round tube.....	6.06	34441 Square bar, hot-rolled, coiled.....	6.12
34122 Round tube.....	6.06	34442 Square bar, hot-rolled, coiled.....	6.12
34123 Round tube.....	6.06	34443 Concrete-ribbed steel, hot-rolled.....	6.12

# Hardware catalogue

## Index

### Item number summary

34444	Concrete-ribbed steel, hot-rolled.....	6.12	34864	Angle, equal-sided hot-rolled.....	6.08
34445	Concrete-ribbed steel, hot-rolled.....	6.12	34865	Angle, equal-sided hot-rolled.....	6.08
34450	Flat bar, drawn steel.....	6.15	34866	Angle, equal-sided hot-rolled.....	6.08
34451	Flat bar, drawn steel.....	6.15	34867	Angle, equal-sided hot-rolled.....	6.08
34452	Flat bar, drawn steel.....	6.15	34896	Square tube, cold-rolled.....	6.11
34453	Flat bar, drawn steel.....	6.15	34897	Square tube, cold-rolled.....	6.11
34454	Flat bar, drawn steel.....	6.15	34898	Square tube, cold-rolled.....	6.11
34460	Round bar, drawn steel.....	6.15	34911	Rectangular tube.....	6.11
34461	Round bar, drawn steel.....	6.15	35940	Angle, equal-sided, <b>ferroplatan</b> .....	6.17
34462	Round bar, drawn steel.....	6.15	35941	Angle, equal-sided, <b>ferroplatan</b> .....	6.17
34463	Round bar, drawn steel.....	6.15	35942	Angle, equal-sided, <b>ferroplatan</b> .....	6.17
34464	Round bar, drawn steel.....	6.15	35943	Angle, equal-sided, <b>ferroplatan</b> .....	6.17
34465	Round bar, drawn steel.....	6.15	35952	Bracket, equal-sided, self-adhesive, <b>ferroplatan</b> .....	6.17
34470	Square bar, drawn steel.....	6.16	35953	Bracket, equal-sided, self-adhesive, <b>ferroplatan</b> .....	6.17
34471	Square bar, drawn steel.....	6.16	36403	Checker plate.....	3.20
34472	Square bar, drawn steel.....	6.16	36423	Checker plate.....	3.20
34473	Square bar, drawn steel.....	6.16	36433	Checker plate.....	3.20
34474	Square bar, drawn steel.....	6.16	36453	Checker plate.....	3.21
34510	Flat bar, hot-rolled.....	6.08	37000	Sheet, aluminium, uncoated.....	3.12
34511	Flat bar, hot-rolled.....	6.08	37001	Sheet, aluminium, uncoated.....	3.12
34512	Flat bar, hot-rolled.....	6.08	37002	Sheet, aluminium, uncoated.....	3.12
34513	Flat bar, hot-rolled.....	6.08	37003	Sheet, aluminium, uncoated.....	3.12
34514	Flat bar, hot-rolled.....	6.08	37004	Sheet, aluminium, uncoated.....	3.12
34515	Flat bar, hot-rolled.....	6.08	37009	Sheet, aluminium, uncoated.....	3.12
34517	Flat bar, hot-rolled.....	6.08	37010	Sheet, aluminium, anodized.....	3.13
34518	Flat bar, hot-rolled.....	6.08	37011	Sheet, aluminium, anodized.....	3.13
34519	Flat bar, hot-rolled.....	6.08	37012	Sheet, aluminium, anodized.....	3.13
34520	Flat bar, hot-rolled.....	6.08	37013	Sheet, aluminium, anodized.....	3.13
34521	Flat bar, hot-rolled.....	6.08	37014	Sheet, aluminium, anodized.....	3.13
34530	Round tube in cold rolled steel.....	6.10	37020	Sheet, aluminium, anodized.....	3.13
34531	Round tube in cold rolled steel.....	6.10	37021	Sheet, aluminium, anodized.....	3.13
34532	Round tube in cold rolled steel.....	6.10	37022	Sheet, aluminium, anodized.....	3.13
34533	Round tube in cold rolled steel.....	6.10	37023	Sheet, aluminium, anodized.....	3.13
34534	Round tube in cold rolled steel.....	6.10	37024	Sheet, aluminium, anodized.....	3.13
34535	Round tube in cold rolled steel.....	6.10	37050	Roughcast sheet.....	3.19
34536	Round tube in cold rolled steel.....	6.10	37051	Roughcast sheet.....	3.19
34537	Round tube in cold rolled steel.....	6.10	37052	Roughcast sheet.....	3.19
34538	Round tube in cold rolled steel.....	6.10	37053	Roughcast sheet.....	3.19
34540	Round tube in cold rolled steel.....	6.10	37054	Roughcast sheet.....	3.19
34550	Round bar, hot-rolled.....	6.10	37059	Roughcast sheet.....	3.19
34551	Round bar, hot-rolled.....	6.10	37074	Roughcast sheet.....	3.19
34552	Round bar, hot-rolled.....	6.10	37100	Hammer effect sheet.....	3.18
34553	Round bar, hot-rolled.....	6.10	37101	Hammer effect sheet.....	3.18
34554	Round bar, hot-rolled.....	6.10	37102	Hammer effect sheet.....	3.18
34560	Angle, equal-sided in cold rolled steel.....	6.09	37103	Hammer effect sheet.....	3.18
34561	Angle, equal-sided in cold rolled steel.....	6.09	37104	Hammer effect sheet.....	3.18
34562	Angle, equal-sided in cold rolled steel.....	6.09	37109	Hammer effect sheet.....	3.18
34563	Angle, equal-sided in cold rolled steel.....	6.09	37120	Hammer effect sheet.....	3.18
34564	Angle, equal-sided hot-rolled.....	6.08	37121	Hammer effect sheet.....	3.18
34565	Angle, equal-sided hot-rolled.....	6.08	37122	Hammer effect sheet.....	3.18
34566	Angle, equal-sided hot-rolled.....	6.08	37123	Hammer effect sheet.....	3.18
34567	Angle, equal-sided hot-rolled.....	6.08	37124	Hammer effect sheet.....	3.18
34568	Angle, equal-sided hot-rolled.....	6.08	37140	Hammer effect sheet.....	3.18
34570	Angle, unequal-sided in cold rolled steel.....	6.09	37141	Hammer effect sheet.....	3.18
34580	U-profile.....	6.09	37142	Hammer effect sheet.....	3.18
34581	U-profile.....	6.09	37143	Hammer effect sheet.....	3.18
34582	U-profile.....	6.09	37144	Hammer effect sheet.....	3.18
34583	U-profile.....	6.09	37149	Hammer effect sheet.....	3.18
34590	Square tube, cold-rolled.....	6.11	37150	Checker plate.....	3.20
34591	Square tube, cold-rolled.....	6.11	37151	Checker plate.....	3.20
34593	Square tube, cold-rolled.....	6.11	37152	Checker plate.....	3.20
34594	Square tube, cold-rolled.....	6.11	37153	Checker plate.....	3.20
34596	Square tube, cold-rolled.....	6.11	37154	Checker plate.....	3.20
34597	Square tube, cold-rolled.....	6.11	37155	Checker plate.....	3.20
34598	Square tube, cold-rolled.....	6.11	37156	Checker plate.....	3.20
34599	Square tube, cold-rolled.....	6.11	37159	Checker plate.....	3.20
34610	Rectangular tube.....	6.11	37171	Checker plate.....	3.20
34611	Rectangular tube.....	6.11	37172	Checker plate.....	3.20
34612	Rectangular tube.....	6.11	37173	Checker plate.....	3.20
34613	Rectangular tube.....	6.11	37175	Checker plate.....	3.20
34620	Square bar, hot-rolled.....	6.12	37176	Checker plate.....	3.20
34621	Square bar, hot-rolled.....	6.12	37210	Cross hole sheet.....	3.22
34622	Square bar, hot-rolled.....	6.12	37211	Cross hole sheet.....	3.22
34623	Square bar, hot-rolled.....	6.12	37212	Cross hole sheet.....	3.22
34624	Square bar, hot-rolled.....	6.12	37213	Cross hole sheet.....	3.22
34630	T-profile, hot-rolled.....	6.13	37214	Cross hole sheet.....	3.22
34631	T-profile, hot-rolled.....	6.13	37260	Slotted hole sheet.....	3.22
34640	Square bar, hot-rolled, coiled.....	6.12	37261	Slotted hole sheet.....	3.22
34641	Square bar, hot-rolled, coiled.....	6.12	37262	Slotted hole sheet.....	3.22
34642	Square bar, hot-rolled, coiled.....	6.12	37263	Slotted hole sheet.....	3.22
34643	Concrete-ribbed steel, hot-rolled.....	6.12	37264	Slotted hole sheet.....	3.22
34644	Concrete-ribbed steel, hot-rolled.....	6.12	37310	Square hole sheet.....	3.23
34645	Concrete-ribbed steel, hot-rolled.....	6.12	37311	Square hole sheet.....	3.23
34801	Metric threaded tube.....	1.30	37312	Square hole sheet.....	3.23
34813	Flat bar, hot-rolled.....	6.08	37313	Square hole sheet.....	3.23
34815	Flat bar, hot-rolled.....	6.08	37314	Square hole sheet.....	3.23
34818	Flat bar, hot-rolled.....	6.08	37360	Round hole sheet.....	3.22
34820	Flat bar, hot-rolled.....	6.08	37361	Round hole sheet.....	3.22

# Hardware catalogue

## Index

### Item number summary

37362 Round hole sheet.....	3.22	38117 Sheet, raw steel.....	3.14
37363 Round hole sheet.....	3.22	38118 Plain sheet, steel, untreated, processed.....	3.15
37364 Round hole sheet.....	3.22	38119 Bolt clamp.....	3.34
37369 Round hole sheet.....	3.22	38150 Sheet, solid copper.....	3.16
37410 Round hole sheet.....	3.22	38151 Sheet, solid copper.....	3.16
37411 Round hole sheet.....	3.22	38152 Sheet, solid copper.....	3.16
37412 Round hole sheet.....	3.22	38153 Sheet, solid copper.....	3.16
37413 Round hole sheet.....	3.22	38154 Sheet, solid copper.....	3.16
37414 Round hole sheet.....	3.22	38200 Sheet, aluminium, anodized.....	3.13
37460 Stretch metal.....	3.25	38201 Sheet, aluminium, anodized.....	3.13
37461 Stretch metal.....	3.25	38202 Sheet, aluminium, anodized.....	3.13
37462 Stretch metal.....	3.25	38203 Sheet, aluminium, anodized.....	3.13
37463 Stretch metal.....	3.25	38204 Sheet, aluminium, anodized.....	3.13
37464 Stretch metal.....	3.25	38209 Sheet, aluminium, anodized.....	3.13
37469 Stretch metal.....	3.25	38250 Sheet, stainless steel.....	3.16
37470 Stretch metal.....	3.25	38251 Sheet, stainless steel.....	3.16
37471 Stretch metal.....	3.25	38252 Sheet, stainless steel.....	3.16
37472 Stretch metal.....	3.25	38253 Sheet, stainless steel.....	3.16
37473 Stretch metal.....	3.25	38254 Sheet, stainless steel.....	3.16
37474 Stretch metal.....	3.25	38259 Sheet, aluminium, uncoated.....	3.12
37479 Stretch metal.....	3.25	38261 Sheet, aluminium, uncoated.....	3.12
37509 Checker plate.....	3.20	38262 Sheet, aluminium, uncoated.....	3.12
37521 Stretch metal.....	3.26	38264 Sheet, aluminium, uncoated.....	3.12
37523 Stretch metal.....	3.26	38270 Sheet, aluminium, uncoated.....	3.12
37524 Stretch metal.....	3.26	38271 Sheet, aluminium, uncoated.....	3.12
37550 Sheet, aluminium, uncoated.....	3.12	38272 Sheet, aluminium, uncoated.....	3.12
37551 Sheet, aluminium, uncoated.....	3.12	38273 Sheet, aluminium, uncoated.....	3.12
37552 Sheet, aluminium, uncoated.....	3.12	38274 Sheet, aluminium, uncoated.....	3.12
37553 Sheet, aluminium, uncoated.....	3.12	38280 Barleycorn.....	3.19
37554 Sheet, aluminium, uncoated.....	3.12	38281 Barleycorn.....	3.19
37559 Sheet, aluminium, uncoated.....	3.12	38282 Barleycorn.....	3.19
37600 Stretch metal.....	3.26	38283 Barleycorn.....	3.19
37601 Stretch metal.....	3.26	38284 Barleycorn.....	3.19
37602 Stretch metal.....	3.26	38294 Corrugated sheet.....	3.17
37603 Stretch metal.....	3.26	38354 Plastic panel (PC, transparent).....	3.11
37604 Stretch metal.....	3.26	38502 Sheet, aluminium, coated.....	3.12
37650 Stretch metal.....	3.26	38503 Sheet, aluminium, coated.....	3.12
37651 Stretch metal.....	3.26	38504 Sheet, aluminium, coated.....	3.12
37652 Stretch metal.....	3.26	38524 Sheet, aluminium, coated.....	3.12
37653 Stretch metal.....	3.26	38534 Sheet, aluminium, coated.....	3.12
37654 Stretch metal.....	3.26	38544 Sheet, aluminium, coated.....	3.12
37700 Stretch metal.....	3.26	38574 Sheet, aluminium, coated.....	3.12
37701 Stretch metal.....	3.26	38600 Plastic panel (hard PVC), hot-embossed, self-adhesive.....	3.11
37702 Stretch metal.....	3.26	38601 Plastic panel (hard PVC), hot-embossed, self-adhesive.....	3.11
37703 Stretch metal.....	3.26	38602 Plastic panel (hard PVC), hot-embossed, self-adhesive.....	3.11
37704 Stretch metal.....	3.26	38603 Plastic panel (hard PVC), hot-embossed, self-adhesive.....	3.11
37800 Round hole sheet.....	3.23	38604 Plastic panel (hard PVC), hot-embossed, self-adhesive.....	3.11
37801 Round hole sheet.....	3.23	38610 Plastic panel (hard PVC), hot-embossed, self-adhesive.....	3.11
37802 Round hole sheet.....	3.23	38611 Plastic panel (hard PVC), hot-embossed, self-adhesive.....	3.11
37803 Round hole sheet.....	3.23	38612 Plastic panel (hard PVC), hot-embossed, self-adhesive.....	3.11
37804 Round hole sheet.....	3.23	38613 Plastic panel (hard PVC), hot-embossed, self-adhesive.....	3.11
37809 Round hole sheet.....	3.23	38614 Plastic panel (hard PVC), hot-embossed, self-adhesive.....	3.11
37850 Round hole sheet.....	3.24	39001 Angle, equal-sided, slotted.....	4.10
37851 Round hole sheet.....	3.24	39002 Angle, unequal-sided, slotted.....	4.11
37852 Round hole sheet.....	3.24	39003 Flat bar, slotted.....	4.09
37853 Round hole sheet.....	3.24	39004 U-profile, slotted.....	4.09
37854 Round hole sheet.....	3.24	39011 Angle, equal-sided, slotted.....	4.10
37859 Round hole sheet.....	3.24	39012 Angle, unequal-sided, slotted.....	4.11
37910 Round studded sheet.....	3.17	39013 Flat bar, slotted.....	4.09
37911 Round studded sheet.....	3.17	39021 Angle, equal-sided, slotted.....	4.10
37912 Round studded sheet.....	3.17	39031 Angle, equal-sided, slotted.....	4.10
37913 Round studded sheet.....	3.17	39051 Angle, equal-sided, slotted.....	4.10
37914 Round studded sheet.....	3.17	39052 Angle, unequal-sided, slotted.....	4.11
37960 Square studded sheet.....	3.17	39053 Flat bar, slotted.....	4.09
37961 Square studded sheet.....	3.17	39054 U-profile, slotted.....	4.09
37962 Square studded sheet.....	3.17	39061 Angle, equal-sided, slotted.....	4.10
37963 Square studded sheet.....	3.17	39062 Angle, unequal-sided, slotted.....	4.11
37964 Square studded sheet.....	3.17	39063 Flat bar, slotted.....	4.09
38010 Square hole sheet.....	3.24	39101 Angle, equal-sided, slotted.....	4.10
38011 Square hole sheet.....	3.24	39102 Angle, unequal-sided, slotted.....	4.11
38012 Square hole sheet.....	3.24	39103 Flat bar, slotted.....	4.09
38013 Square hole sheet.....	3.24	39104 U-profile, slotted.....	4.09
38014 Square hole sheet.....	3.24	39111 Angle, equal-sided, slotted.....	4.10
38050 Sheet, steel, galvanized.....	3.14	39112 Angle, unequal-sided, slotted.....	4.11
38051 Sheet, steel, galvanized.....	3.14	39113 Flat bar, slotted.....	4.09
38052 Sheet, steel, galvanized.....	3.14	39151 Angle, equal-sided, slotted.....	4.10
38053 Sheet, steel, galvanized.....	3.14	39152 Angle, unequal-sided, slotted.....	4.11
38054 Sheet, steel, galvanized.....	3.14	39153 Flat bar, slotted.....	4.09
38059 Sheet, steel, galvanized.....	3.14	39154 U-profile, slotted.....	4.10
38061 Sheet, solid brass.....	3.16	39161 Angle, equal-sided, slotted.....	4.10
38064 Sheet, solid brass.....	3.16	39162 Angle, unequal-sided, slotted.....	4.11
38100 Sheet, raw steel.....	3.14	39163 Flat bar, slotted.....	4.09
38101 Sheet, raw steel.....	3.14	39171 Angle, equal-sided, slotted.....	4.10
38102 Sheet, raw steel.....	3.14	39181 Angle, equal-sided, slotted.....	4.10
38103 Sheet, raw steel.....	3.14	39201 Angle, equal-sided, slotted.....	4.10
38104 Sheet, raw steel.....	3.14	39202 Angle, unequal-sided, slotted.....	4.11
38109 Sheet, raw steel.....	3.14	39203 Flat bar, slotted.....	4.09
38114 Sheet, raw steel.....	3.14	39204 U-profile, slotted.....	4.10



# Hardware catalogue

## Index

### Item number summary

39211	Angle, equal-sided, slotted .....	4.10	39485	Oval-headed screw set .....	4.12
39212	Angle, unequal-sided, slotted .....	4.11	39486	Oval-headed screw set .....	4.12
39213	Flat bar, slotted .....	4.09	39487	Oval-headed screw set .....	4.12
39251	Angle, equal-sided, slotted .....	4.10	39490	Shelf unit foot .....	1.34
39252	Angle, unequal-sided, slotted .....	4.11	39490	Shelf unit foot .....	4.12
39253	Flat bar, slotted .....	4.09	39491	Shelf unit foot .....	1.34
39254	U-profile, slotted .....	4.10	39491	Shelf unit foot .....	4.12
39261	Angle, equal-sided, slotted .....	4.10	40101	'Profi' keyhole saw .....	1.50
39262	Angle, unequal-sided, slotted .....	4.11	41120	Piccolo-mitre box MP 7 .....	1.48
39263	Flat bar, slotted .....	4.09	41121	Precision-mitre box MP 8 .....	1.48
39301	Angle, equal-sided, slotted .....	4.10	41122	Precision-mitre box MP 9 .....	1.48
39351	Angle, equal-sided, slotted .....	4.10	41123	Precision-mitre box with clamp element MP 10 .....	1.49
39400	Flat bar, cold-rolled, galvanized .....	6.14	41126	2 prisms MP 13 (for mitre box MP 10) .....	1.49
39401	Angle, equal-sided in cold rolled steel, galvanized .....	6.14	41127	'Vario'-mitre box MP 14 .....	1.49
39402	Angle, equal-sided in cold rolled steel, galvanized .....	6.14	41200	'Profi'-ruler .....	1.51
39403	Angle, equal-sided in cold rolled steel, galvanized .....	6.14	41215	'Profi'-angle, with bevel ruler and parallel-template .....	1.51
39404	Angle, unequal-sided in cold rolled steel, galvanized .....	6.14	41216	'Profi'-angle, with bevel ruler and parallel-template .....	1.51
39405	Angle, unequal-sided in cold rolled steel, galvanized .....	6.14	41217	'Profi'-angle, with bevel ruler and parallel-template .....	1.51
39406	Flat bar, cold-rolled, galvanized .....	6.14	41218	'Profi'-angle, with bevel ruler and parallel-template .....	1.51
39407	U-profile, cold-rolled, galvanized .....	6.15	45111	Maxi-saw .....	1.50
39410	Flat bar, cold-rolled, galvanized .....	6.14	45152	Multi-clamp .....	1.50
39411	Angle, equal-sided in cold rolled steel, galvanized .....	6.14	48001	Design sheet, smooth .....	3.09
39412	Angle, equal-sided in cold rolled steel, galvanized .....	6.14	48002	Design sheet, smooth .....	3.09
39413	Angle, equal-sided in cold rolled steel, galvanized .....	6.14	48003	Design sheet, smooth .....	3.09
39414	Angle, unequal-sided in cold rolled steel, galvanized .....	6.14	48004	Design sheet structure .....	3.10
39415	Angle, unequal-sided in cold rolled steel, galvanized .....	6.14	48005	Design sheet structure .....	3.10
39416	Flat bar, cold-rolled, galvanized .....	6.14	48006	Design sheet, smooth .....	3.09
39417	U-profile, cold-rolled, galvanized .....	6.15	48007	Design sheet, smooth .....	3.09
39420	Flat bar, cold-rolled, galvanized .....	6.14	48008	Design sheet, smooth .....	3.09
39421	Angle, equal-sided in cold rolled steel, galvanized .....	6.14	48009	Design sheet structure .....	3.11
39422	Angle, equal-sided in cold rolled steel, galvanized .....	6.14	48010	Design sheet structure .....	3.10
39423	Angle, equal-sided in cold rolled steel, galvanized .....	6.14	48011	Design sheet, flexible .....	3.09
39424	Angle, unequal-sided in cold rolled steel, galvanized .....	6.14	48012	Design sheet, flexible .....	3.09
39425	Angle, unequal-sided in cold rolled steel, galvanized .....	6.14	48013	Design sheet, flexible .....	3.09
39426	Flat bar, cold-rolled, galvanized .....	6.14	48014	Design sheet, corrugated .....	3.09
39427	U-profile, cold-rolled, galvanized .....	6.15	48015	Design sheet, corrugated .....	3.09
39480	Cylinder head screw set .....	4.12	48016	Design sheet structure .....	3.10
39481	Cylinder head screw set .....	4.12	48017	Design sheet with square holes .....	3.10
39482	Oval-headed screw set .....	4.12	48018	Design sheet with square studs .....	3.10
39483	Oval-headed screw set .....	4.12	48019	Design sheet structure .....	3.10
39484	Oval-headed screw set .....	4.12			





# Hardware catalogue Index

## Terms and Conditions of Supply and Payment

### 1. Scope

1.1. These Terms and Conditions of Supply and Payment for Exports apply to all contractual agreements between ourselves and parties placing orders with us which have their registered offices or the branch involved with the contractual agreement outside the territory of the Federal Republic of Germany. That branch which concludes the contractual agreement in its own name shall respectively apply.

1.2. These Terms and Conditions of Supply and Payment for Exports shall not apply if the party placing the order acquires the goods for personal use or use in a family or household and we knew or should have known such upon the conclusion of the agreement.

1.3. If the party placing the order's terms and conditions of purchase differ from these Terms and Conditions of Supply and Payment for Exports, such terms and conditions of purchase shall only apply if such are expressly confirmed in writing by ourselves. Counter-confirmations by a party placing an order citing its own terms and conditions are herewith expressly contested and rejected.

1.4. Our Terms and Conditions of Supply and Payment shall also apply exclusively and without restriction even if we effect supply to the party placing the order without reservation in awareness of contrary or differing terms and conditions of the party placing the order.

### 2. Conclusion and subject of the agreement

2.1. Any and all of our offers are non-binding.

2.2. Models, illustrations, drawings, colour tones, etc., that are contained in catalogues, brochures and other printed matter may differ slightly from the features of the products to be supplied as a result of printing technology; such differences shall not be deemed to constitute defects.

2.3. Illustrations and drawings relating to our goods in brochures, written advertising material and on price lists as well as the data contained therein, e.g. on material, dimensions or shape, shall only become a legally binding part of the agreement if the agreement expressly makes reference to such. Information on product features shall not be deemed to constitute an assumption of guarantee.

2.4. The party placing an order shall notify us prior to the conclusion of the agreement if the goods to be supplied are supposed to be suited solely for regular use or are to be used under unusual or special conditions or if the goods are to be used in any conditions posing a health, safety or environmental risk or the goods will be subject to increased demands or if use of the goods could be associated with unusual possibilities for damage or unusual amounts of damage which the party placing the order is aware of or should be aware of.

### 3. Custom-made products

3.1. Custom-made products shall be deemed to designate all models that deviate from the models referenced in the respectively valid catalogue or brochure. This especially applies with regard to colours.

3.2. Orders for custom-made products without exception require written confirmation by both parties in the information on the design, dimensions, etc.

3.3. The party placing the order shall not acquire any rights to tools by virtue of paying remuneration for costs or shares of costs for the creation or acquisition of tools; we shall retain title to tools.

3.4. Requested samples shall only be supplied subject to charge.

3.5. We shall not be liable for defects that emanate from documents submitted to us by the party placing the order with respect to custom-made products.

3.6. If the custom-made product is manufactured based on drawings, models or other information provided by the party placing the order, we shall not be liable for the violation of third-party protective rights. The party placing the order hereby indemnifies us with respect to claims by third parties.

### 4. Minimum order value and prices

4.1. The minimum order value for initial orders is EUR 150.00 plus taxes and customs duties. The minimum order value for all subsequent orders is EUR 25.00 plus taxes and customs duties.

4.2. Prices do not include possible additional charges such as duties, taxes and other levies and, if nothing to the contrary results from the confirmation of contract and number 5.1 below, apply EXW (Incoterms 2010) from our plant in Wutöschingen not including freight and packaging costs.

### 5. Freight and packaging costs

5.1. By way of deviation from EXW (Incoterms 2010), consignments having an order value of at least EUR 250.00 not including taxes and customs duties shall be shipped free domicile in Germany and franco frontier to foreign countries.

5.2. The weights and piece numbers determined upon shipment shall apply in the calculation of freight costs.

5.3. Packaging costs shall be charged at the usual rates in this line of business.

### 6. Delivery and transfer of risk

6.1. EXW (Incoterms 2010) from our plant in Wutöschingen shall apply to delivery and transfer of risk even if we assume the freight costs unless a special delivery clause has been agreed upon.

6.2. If the goods are transported to the party placing the order, such shall be at the risk of the party placing the order. In this case risk shall be transferred to the party placing the order at that point in time at which the first carrier takes on the goods. If the goods are ready for shipment and shipment is delayed for reasons for which we are not responsible, risk shall be transferred to the party placing the order upon receipt of the notice of readiness for shipment.

### 7. Delivery periods, non-availability of performance and delay

7.1. The delivery periods stated are generally non-binding.

7.2. A bindingly committed delivery period shall commence upon the date on which our confirmation of order is sent, but at the earliest at the point in time at which all

documents and data to be provided by the party placing the order are received by us. 7.3. The delivery period shall be deemed to have been adhered to if the goods leave the plant before the delivery period expires or notification has been provided that the goods are ready for shipment.

7.4. If we are unable to meet binding delivery periods in whole or regarding part of the goods to be delivered, we shall notify the party placing the order without undue delay and at the same time notify the party placing the order about the probable new delivery period. If the good to be delivered is still not available before the expiry of the new delivery period for reasons for which we are not responsible, we shall be entitled to cancel the agreement in whole or in part; we shall repay any counter-performance already rendered by the party placing the order without undue delay.

7.5. In any case a claim to compensation for late delivery on the part of the party placing the order shall be subject to the requirement that the party placing the order has set us a reasonable grace period and we have not effected delivery within this period.

7.5. The legal rights of the party placing the order shall otherwise remain unaffected. We shall only bear liability, however, if we are responsible for the delay and only within the framework of no. 11 below. We shall in particular not be responsible for delivery not being effected to us in due time by our suppliers.

### 8. Terms and conditions of payment

8.1. The party placing the order shall review all invoices without undue delay after receiving such to make sure that they are correct and complete. Any objections to invoices shall be issued in writing within a period of one month after their receipt. Failure to state objections in due time shall be deemed to constitute approval of the invoice.

8.2. Our invoices shall be due for payment within 10 days with a 2% discount or within 30 days of the respective invoice date net. The date when payment is credited to the account stated

for payment on the invoice shall apply in determining whether payment has been effected in due time by the party placing the order. The party placing the order shall bear all additional costs that arise in connection with the selection of the means of payment.

8.3. If the party placing the order fails to pay the purchase price in due time, we shall be entitled notwithstanding other legal recourse to charge interest on arrears in the amount of 9 percentage points above the respective base interest rate of the European Central Bank. We reserve the right to claim damage going above and beyond this.

8.4. We shall be entitled to transfer our claims emanating from the business relationship with the party placing the order for the purposes of factoring.

8.5. If payment is rendered with a bill of exchange, the party placing the order shall bear the costs of such, in particular discounting and collection charges. No discount shall be granted if payment is effected by bill of exchange.

8.6. Costs of a bill of exchange that has been invoiced shall be due for payment immediately without any deductions.

8.7. Bills of acceptance and bills of exchange shall only be deemed to constitute payment after their redemption.

8.8. Setting off or netting amounts shall only be possible in the case of counter-claims that are based on the same legal relationship, that have been effectively established by a court of law or government authority, or are uncontested or recognised.

8.9. The party placing the order shall only be entitled to exercise a right of retention if its counter-claim is based on the same legal relationship.

8.10. We shall be entitled to credit payments effected by the party placing the order to our other debt of said party.

### 9. Examination and notification of non-conformity obligation

9.1. The party placing the order shall properly examine the goods or have the goods properly examined without undue delay.

9.2. Shipping papers may not be signed (including subject to reservation) before the number of boxes delivered has been compared with the information contained in the shipping papers. Boxes that are missing or damaged must be noted with precise information on such being provided on the shipping papers and be confirmed by the freight carrier driver by means of a clearly identifiable signature.

9.3. Our liability for the goods violating the agreement shall cease to apply without the party placing the order for this reason being able to exonerate itself if the party placing the order fails to notify us about such violation of the agreement in writing within a period of 7 working days (Saturdays shall not be deemed to constitute working days) after it determines such or should have determined such while precisely stating the type of violation of agreement. Written notification of lack of conformity by the party placing the order must have been sent by the party placing the order within the aforementioned period; above and beyond the notice of lack of conformity being sent in due time, such must also actually be received by us.

9.4. If after a notice of lack of conformity is issued by the party placing the order no violation of the agreement can be identified, the party placing the order shall reimburse us for the costs incurred in connection with the inspection of the goods.

9.5. The party placing the order shall at any rate lose the right to claim lack of conformity of the goods if it does not provide notice of such within a period of no more than 12 months after it has actually been handed over the goods unless we have granted a longer period of guarantee to the party placing the order.

### 10. Goods lacking conformity or exhibiting legal defects

10.1. Goods for which a complaint has been issued shall be properly stored and kept available to us.

10.2. We shall be provided the opportunity to inspect the goods for which a complaint has been issued.

10.3. If it is demonstrated that the goods lack conformity, we shall be entitled even

after the agreed-upon delivery period either to remedy the lack of conformity of the goods by repair or supply a substitute contemporaneously with return of the goods for which a complaint has been issued as we see fit. In the event of remedy by repair or supply of substitute goods, we shall be obligated to bear all of the expenses that are required for this purpose (including transport, road, labour and material costs) if such expenses do not increase because the goods have been sent to a place other than the place of fulfilment of the agreement.

10.4. If the party placing the order sets a reasonable grace period for remedy by repair or supply of substitute goods and repair or supply of substitute goods does not take place within this grace period or if such is refused by us, the party placing the order shall be entitled to reduce the purchase price or declare the agreement avoided in accordance with statutory arrangements. The reduction of the purchase price shall be limited to the damage incurred by the customer.

10.5. Supply of substitute goods or remedy by repair shall not cause the period laid down in no. 9.5 to recommence anew.

### 11. Liability

11.1. We shall bear unlimited liability for harm to life and limb or health impairment that is due to the wilful or negligent violation of an obligation by ourselves or that is due to a wilful or negligent violation of an obligation by our legal representative or parties we hire to carry out the agreement.

11.2. We shall bear liability based on the principles of German law governing product liability and on the assumption of a guarantee.

11.3. We shall moreover only bear liability in the case of wilful or negligent violation of an essential contractual obligation and only for direct damage that was foreseeable and which typically occurs at the point in time when the agreement was concluded. An essential contractual obligation shall be deemed to be an obligation that makes the proper fulfilment of the agreement concluded with the party placing the order possible in the first place and which the party placing the order trusted in and was able to trust in and the culpable failure to fulfil such jeopardises achievement of the purpose of the agreement.

11.4. Our liability is excluded in all other cases, in particular for indirect damage and subsequent damage (including foregone profit, loss of goodwill, damage due to loss of production and comparable expenses) unless the party placing the order expressly drew our attention to such in accordance with no. 2.4. prior to the conclusion of the agreement.

11.5. If our liability is excluded or limited, this shall also apply to our employees, representatives and parties we hire to carry out the agreement.

### 12. Reservation of title

12.1. We reserve title to the goods supplied by us if our claim to the purchase price is not secured by some other means (e.g. a letter of credit) until payment of all current and future claims emanating from the purchase agreement and the ongoing business relationship (the claims to be secured) is effected.

12.2. We shall be obligated to release collateral that we are entitled to as we see fit to the extent that the realisable value of the collateral exceeds our claims to be secured by more than 10% if so requested by the party placing the order.

12.2. The party placing the order shall notify us without undue delay in the event of attachment, confiscation or similar and in the event of the goods supplied being damaged and/or lost; any violation of this obligation as well as any other conduct of the buyer in violation of the agreement, in particular failure to pay the purchase price due for payment, shall provide us the right to declare this agreement avoided. The party placing the order shall bear all the costs that have had to be incurred particularly within the framework of a third-party action successfully lifting an attachment and that may have had to be incurred to successfully reacquire the objects supplied if such cannot be collected from third parties.

12.3. If we have effectively declared the agreement avoided, we shall be entitled to take back the goods subject to reservation of title if we have threatened to take the goods back a reasonable time in advance. The costs incurred as a result of exercise of the right to take back the goods, in particular transport costs, shall be borne by the party placing the order. We shall be entitled to exploit the goods subject to reservation of title and satisfy our claims from the proceeds from such exploitation if we have threatened such exploitation a reasonable time in advance. If the proceeds exceed the unsatisfied claims emanating from the contractual relationship, this surplus amount shall be handed over to the party placing the order.

### 13. Place of fulfilment, applicable law and legal venue

13.1. The place of fulfilment for delivery and payment shall be our head office (Wutöschingen).

13.2. The Convention of the United Nations on the International Sale of Goods from 11 April 1980 (UN purchasing law/CISG) in the English-language version shall apply to the legal relationship with the party placing the order. Legal issues that are not set out in this Convention or which cannot be decided in accordance with its principles shall be subject to German law.

13.3. The sole legal venue for all disputes arising in connection with the agreement is the courts having jurisdiction over our head office of the company in Wutöschingen. We shall, however, also be entitled to assert claims with courts having jurisdiction over the party placing the order.

alfer aluminium Gesellschaft mbH

Commercial Register of Freiburg Local Court HRB 620 227 Status: 05/2016

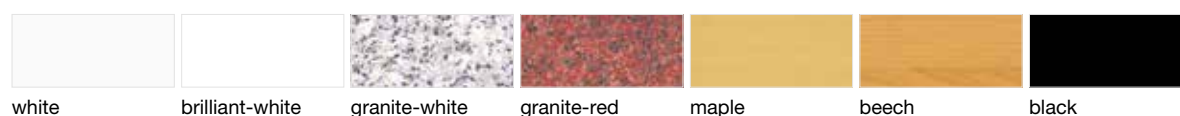
# Hardware catalogue

## Available in a choice of colours

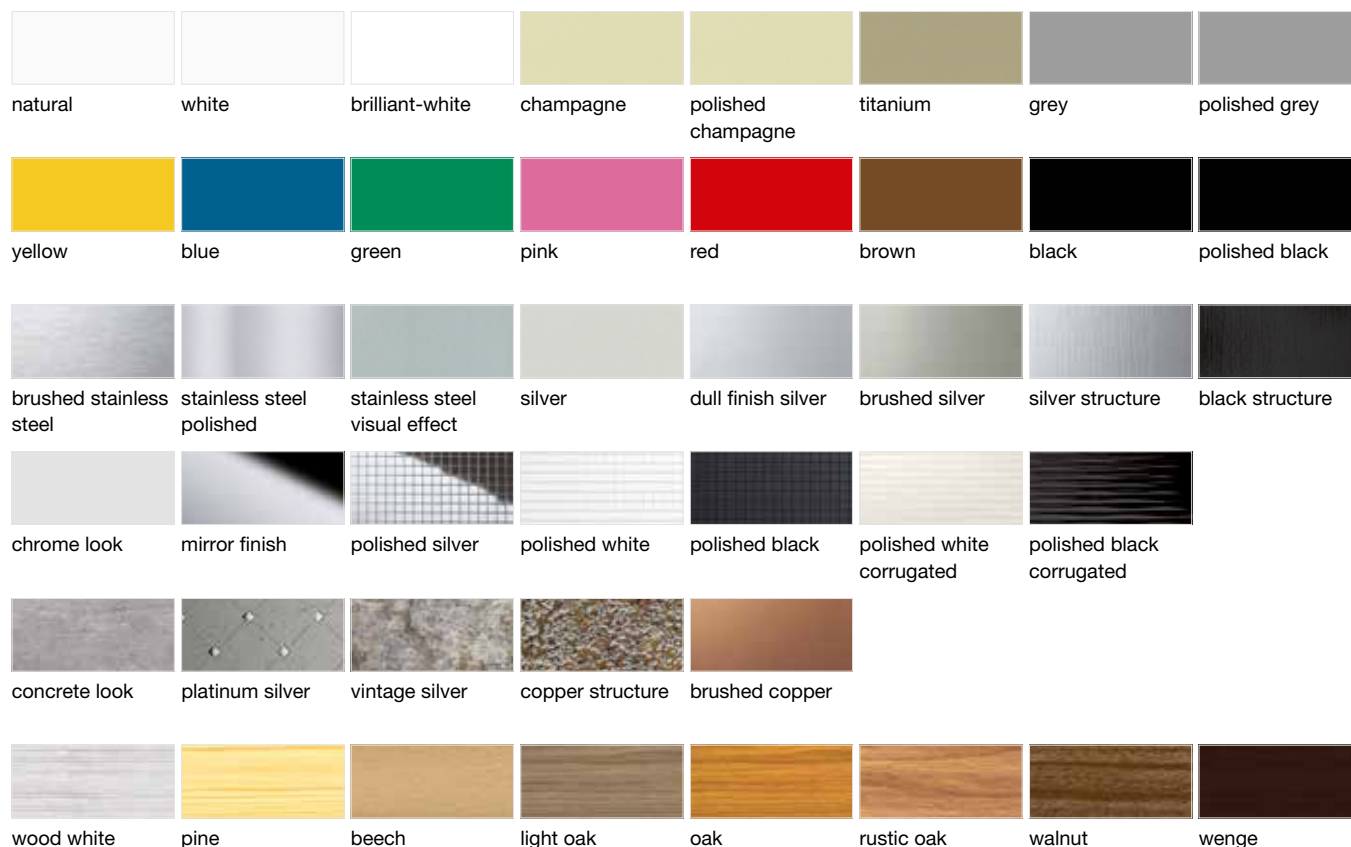
### Uncoated and anodized aluminium



### Powder-coated aluminium



### Plastic



### Steel, stainless steel, ferroplatan<sup>®</sup>, brass, brassed iron and copper



The colours shown are for reference purposes only and may differ from the actual colours for display reasons.

