

www.alfer.com

alfer[®]
aluminium

Catalogue classification system
Storage range



Storage range

Explanations

Colour guide materials

AGK	Aluminium casting, tumbling polished	MES	Brass, solid or brass, shiny solid
AGP	Aluminium casting, powder-coated	CU	Copper, solid
ALC	alferceram [®] , ceramic powder-coated aluminium	ABS	Plastic, acrylonitrile butadiene styrene
ALCR	Aluminium chrome-plated	EPDM	Plastic, ethylene propylene diene rubber
ALG	Aluminium, vibratory finish	EVA	Plastic, ethylene vinyl acetate
ALK	Aluminium, tumble polished	GUM	Rubber
ALM	Brass-plated aluminium	PA	Plastic, polyamide
ALO	alferoxal [®] , multicolour aluminium, anodized	PC	Plastic, polycarbonate
ALP	Powder-coated aluminium	PE	Plastic, polyethylene
ALU	Uncoated aluminium	PET	Plastic, polyethylene terephthalate
ALX	Anodized aluminium	POM	Plastic, polyoxymethylene
EDL	Stainless steel	PP	Plastic, polypropylene
FER	Hard ferrite	PS	Plastic, polystyrene
GUS	Cast iron	PU	Plastic, polyurethane
SGC	Injection moulded, chrome-plated	PVC	Plastic, polyvinylchloride
STA	Steel or steel, galvanized	TPE	Plastic, thermoplastic elastomers
		EHO	Real wood

Packaging

loose: The item is not packed.

shrink-wrapped: The loose item is shrink-wrapped in transparent PE foil.

shrink-wrapped SS: The shrink-wrapped item comes with a SS Euro-perforation allowing it to be suspended.

SS bag: The item is packed in a transparent LDPE bag (Euro-perforation).

SS polybag: The article comes in a PE tube.

SS box: the item is packed in a transparent box with Euro-perforation.

SS cardboard box: The item comes in a SS cardboard box.

on roll: The item comes on a roll and can be cut to measure.

sealed: The item is sealed with a transparent PE foil.

foil-wrapped, one-sided: The item is covered on one side with a protective foil.

rolled in a box: The item is packed rolled up in a box.

clap-pac: The item comes in impact-resistant, transparent, PVC snapshut packaging (multi-perforation) and can be re-closed.

Min. OU: The minimum order unit specifies both the minimum order quantity of an item and the order unit.

e. g.: Min. OU = 5 pcs.: means that orders must either be for a minimum of 5 pieces of this item, or multiples thereof.

PU: Packaging unit.

Explanations Brand Names

Important Note!

The following trademarks (®, M. R.) are registered for the **alfer**[®] aluminium Gesellschaft mbH, D-79793 Wutoeschingen, (as of: 01.09.2013)

alfer [®]	EU CH
alferoxal [®]	B D F I L NL A P CH
alferceram [®]	B D F I L NL A P CH
clipstech [®]	EU MEX
combitech [®]	EU CH MEX
cabelino [®]	EU CH
logika [®]	EU
ferroplatan [®]	EU
coaxis [®]	EU USA MEX
x-star [®]	EU USA
easyrack [®]	EU

The use of these rights is permitted only upon expressed authorization by **alfer**[®] aluminium Gesellschaft mbH, D-79793 Wutoeschingen.



In the heart of Europe

Nestled between the Upper Rhine and the Southern Black Forest is the Wutachtal Valley. Close to both Switzerland and France, this has been home to many world leading aluminium specialists for decades. Today, it is Europe's largest connected economic area for the production and processing of aluminium. It is therefore unsurprising that the region is also known as the 'Aluminium Valley'. This is also the place where the **alfer** success story began in 1973 in Wutöschingen, Baden-Württemberg. Since then, **alfer** has used this site to develop a whole range of aluminium profiles, primarily for DIY enthusiasts and tradespeople, which set even international standards.



Storage range



Storage range

Range overview

Create plenty of space

Hooks, supports, brackets etc.

There's plenty of room! With **alfer**[®] wall and ceiling hooks and supports as well as shelving brackets for stable, customised shelf solutions, you can bring order to your home in an instant. The range includes several types of hooks with different load-bearing capacities. This enables all items to be carefully tidied away, creating more free floor space. Our sophisticated organisation solutions are as diverse as your home – and offer the ideal solution for every use, from hooks for buckets to ones for skis. Discover the countless possibilities and enjoy the fabulous sensation of everything finally being neat and tidy.

Tip:

Don't forget about our excellent **x-star** utensils support with parallel clamping arms and an integrated retaining spring – perfect for holding brooms, shovels and the like. The **x-star**[®] has a high load-bearing capacity, is extremely sturdy and can be combined with all **coaxis**[®] system profiles. For direct attachment to the wall, the **x-star**[®] is also available as a system-independent individual solution. Tidying has never been so easy!

Secure bike storage: Bicycle stands

Whether for road, city or mountain bikes, the universal bicycle stands from **alfer**[®] are the ideal solution for storing any type of bike. Made from lightweight, weather-proof aluminium, the bicycle stands are available for one or three bikes, as well as in rigid or infinitely adjustable versions. Depending on your requirements and the available space, the **alfer**[®] bicycle stands, which protect wheel rims and tyres, can be attached to the floor or the wall – ready to securely store any bike.

For walls, ceilings and cupboards: Furniture construction profiles

Our furniture construction profiles can be optionally attached to a wall, a ceiling or beneath a wardrobe shelf. This enables you to make optimal use of the space available. Clothes and the like can be neatly stored away in previously unused spaces: under the stairs, in the cellar, in narrow hallways etc. So, what are you waiting for? Get building!

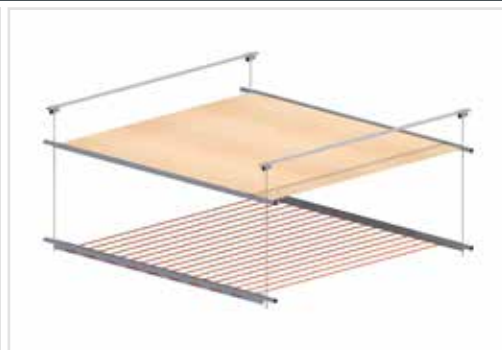


Storage range

Range overview

The air becomes a storage space: Overhead storage system

You can never have enough storage space! The overhead storage system from **alfer**[®] is ideal for quickly converting unused areas below your room, garage or cellar ceilings into practical storage spaces – ideal for long or bulky items, for example. **alfer**[®] even offers a specially perforated cross-link profile for retracting a washing line. You need space – we have the solution!








Stylish furnishings: Plant trolley

A practical solution with a modern design: the robust **alfer**[®] plant trolley enables you to conveniently transport large plants or other items weighing up to 60 kg from A to B – and to beautifully display them. Your back will thank you!








Storage range

Range overview

Storage rail system and accessories		12-15
	<ul style="list-style-type: none"> · coaxis cover strip · coaxis end cap, narrow · coaxis hook assembling set · coaxis hook with anti-swivel protection · coaxis profile, narrow · coaxis profile, wide · coaxis suspension plate · coaxis wall fastening set · Hook assembling set · Screw and dowel 	<ul style="list-style-type: none"> ALU STA PA PVC
Profile hook Aluminium		16-20
	<ul style="list-style-type: none"> · Flower box holder · Flower box holder with special support · Storage system · Support for wheels, assembly set · Wall and ceiling hook · Wall and ceiling hook, rubberized · Wall hook · Wall hook, rubberized · Wall-mounted flower box bracket 	<ul style="list-style-type: none"> ALU
Clothes hook		21
	<ul style="list-style-type: none"> · Clothes hook 	<ul style="list-style-type: none"> ALG ALP
Storage systems Home, garage and garden		22-24
	<ul style="list-style-type: none"> · Ski holder with coaxis profile, wide · Ski support · Storage system · Storage system with coaxis profile, wide · x-star set, rails with storage system · x-star storage system, for coaxis rails · x-star storage system, wall-mounted 	<ul style="list-style-type: none"> ALU STA
Profile hook Steel		25-31
	<ul style="list-style-type: none"> · Bicycle screw-in hook, rubber coated · Boot rack · Bucket hook · Knurled hook · Screw-in ceiling hook, rubber coated · Screw-in wall hook, rubber coated · Steel double hook · Surfboard holder · T ceiling hook, steel, galvanized · Tools screw-in hook, rubber coated · Universal hook, steel, galvanized · Universal hook, steel, rubberized · Utensil hook, steel · Wall and ceiling hook, steel, galvanized · Wall and ceiling hook, steel, rubberized · Wall hook, steel · Wall hook, steel, rubberized 	<ul style="list-style-type: none"> STA

Storage range

Range overview

Bicycle stands, hooks and lifts		32–35
	<ul style="list-style-type: none"> · Bicycle lift · Bicycle stand 45° adjustable · Bicycle stand adjustable · Bicycle stand adjustable triple · Bicycle stand rigid · Bicycle stand rigid triple · Bicycle stand, rigid, rubberized · Bike hook, rubberized · Universal bicycle holder, rubberized · Wall and ceiling bicycle hook, rubberized 	ALU
		STA
Shelving brackets, heavy casting quality		36
	<ul style="list-style-type: none"> · Shelving bracket, heavy casting quality 	ALX
		ALP
Furniture construction profiles		37–40
	<ul style="list-style-type: none"> · Centre support, injection moulded · Cranked end bracket set, steel · End support set, injection moulded · Socket with tube securing screw, injection moulded · Steel tube · Wall socket set, steel 	GUS
		STA
Overhead storage system		41–43
	<ul style="list-style-type: none"> · Covering profile · Cross connection profile · Fixing panel · Fixing rail · Hanging bar · Hanging rod · Support profile for cross connection profile 	ALU
		PVC
Plant trolley		43
	<ul style="list-style-type: none"> · Plant trolley 	ALU

Storage range | 97022 | 01 2017 | 7708

Storage range

Range overview

Explanations

page 2

alfer[®] makes you mobile

IND-1

alfer[®] ranges

IND-2–IND-3

Index | Product names A–Z

IND-4

Index | Item number summary

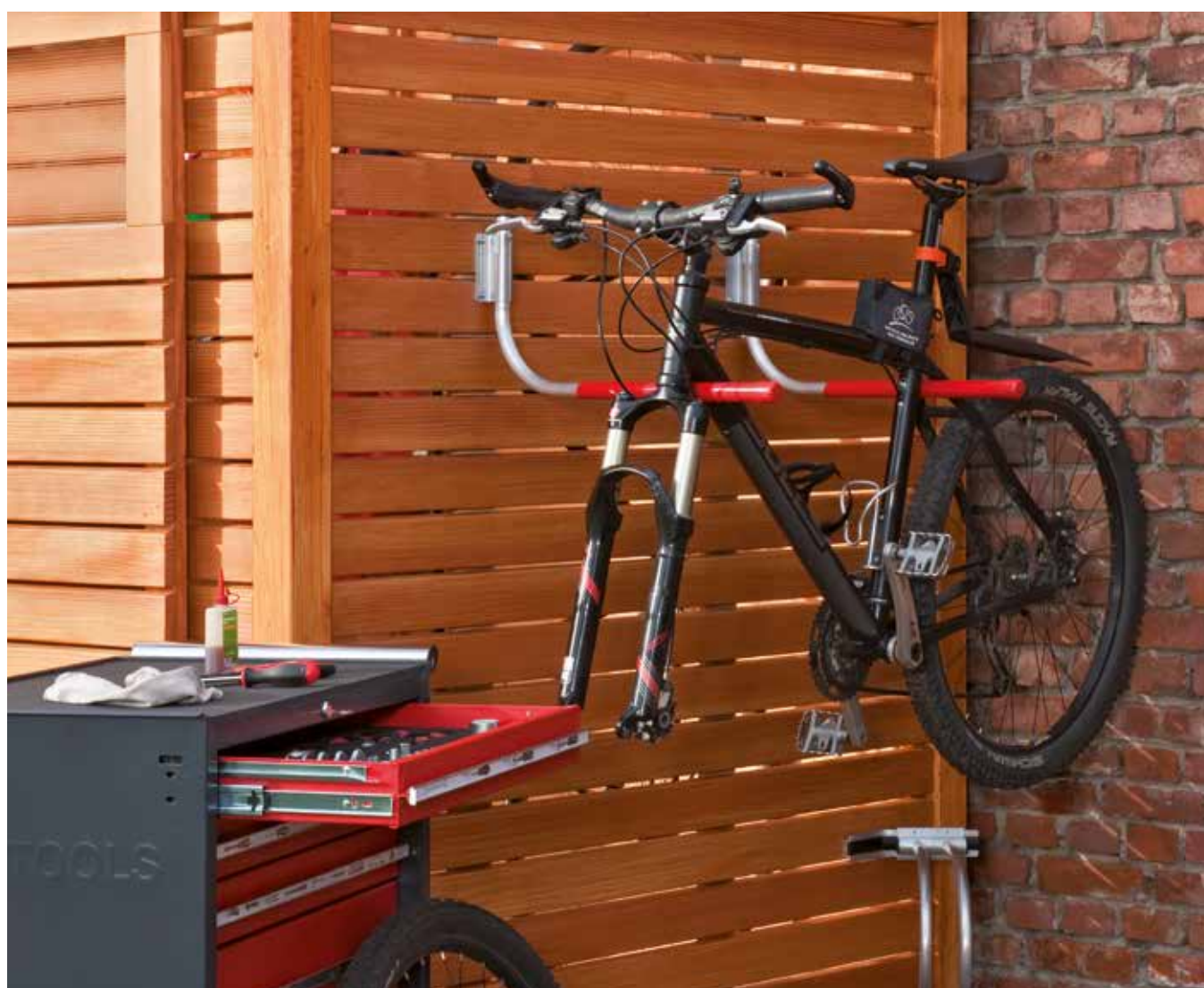
IND-5

Terms and Conditions of Supply and Payment

IND-6

Available in a choice of colours

IND-7



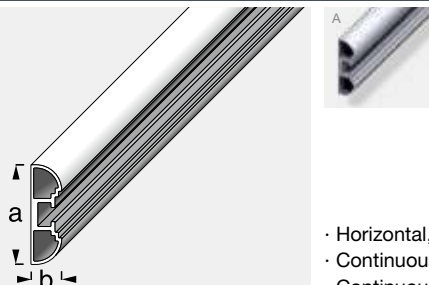
Storage range



Storage range | 97022 | 01 2017 | 71708

Storage range Storage rail system

coaxis[®] profile, narrow



ALU



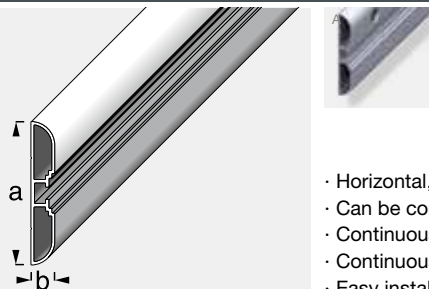
Min. OU: 5 pcs.

- Horizontal, vertical and diagonal fastening on the wall or ceiling
- Continuous fastening of the **coaxis**[®] hooks
- Continuous profile slot

Uncoated aluminium

Colour	Length	Dim. a	Dim. b	Load	Packaging	EAN / Item no.
A uncoated	1.00m	35.5mm	11.0mm	90.0kg max.	shrink-wrapped	4001116 03707 8
A uncoated	1.50m	35.5mm	11.0mm	90.0kg max.	shrink-wrapped	4001116 03708 5

coaxis[®] profile, wide



ALU



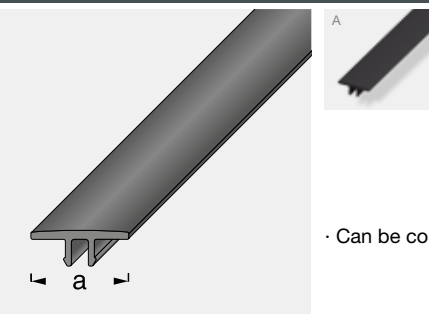
Min. OU: 5 pcs.

- Horizontal, vertical and diagonal fastening on the wall or ceiling
- Can be combined with the **coaxis**[®] profile
- Continuous fastening of the **coaxis**[®] hooks
- Continuous profile slot
- Easy installation thanks to pre-drilled holes

Uncoated aluminium

Colour	Length	Dim. a	Dim. b	Load	Packaging	EAN / Item no.
A uncoated	0.50 m	60.0 mm	10.0 mm	90.0 kg max.	loose	4001116 01809 1
A uncoated	1.00 m	60.0 mm	10.0 mm	90.0 kg max.	loose	4001116 01810 7
A uncoated	1.50 m	60.0 mm	10.0 mm	90.0 kg max.	loose	4001116 01811 4
A uncoated	2.00 m	60.0 mm	10.0 mm	90.0 kg max.	loose	4001116 01812 1

coaxis[®] cover strip



PVC



Min. OU: 5 pcs.

- Can be combined with the **coaxis**[®] profile

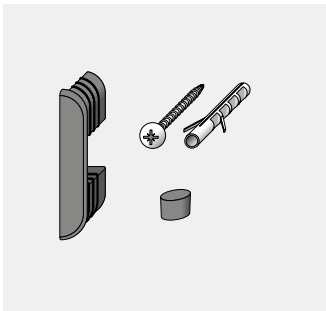
Plastic (hard PVC)

Colour	Dim. a	Packaging	length: 1.00 m EAN / Item no.
A black	16.0 mm	shrink-wrapped	4001116 03730 6

Storage range Storage rail system

coaxis[®] wall fastening set

PA



Min. OU: 5 pcs.

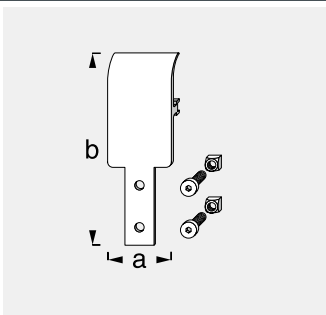
- Can be combined with the **coaxis[®]** profile
- 2 × end cap
- 3 × drill cap, black
- 3 × round-head screw 4 × 40mm with size 6 dowel

Plastic (PA)/steel

Colour	Packaging	EAN / Item no.
A black	SS box	4001116037573

coaxis[®] suspension plate

ALU



Min. OU: 5 pcs.

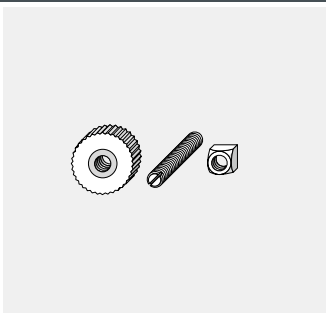
- Can be combined with the **coaxis[®]** profile
- Quickly and securely hook in the **coaxis[®]** profiles

Uncoated aluminium

Colour	Dim. a	Dim. b	Load	PU	Packaging	EAN / Item no.
A uncoated	35.5 mm	105.0 mm	50.0 kg max.	2 pieces	SS box	4001116037733

coaxis[®] hook assembling set

STA



Min. OU: 5 pcs.

- Can be combined with the **coaxis[®]** profile
- This allows hooks to be continuously fastened
- The set consisting of 6 aluminium knurled nuts M5, 6 threaded pins M5 × 23 mm, 6 threaded pins M5 × 30 mm, 12 square nuts M5, 3 × 90° fixings, small, and 3 × 90° fixings, large

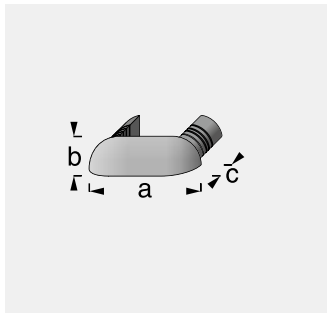
Galvanized steel

Colour	Packaging	EAN / Item no.
A galvanized	SS box	4001116037597

Storage range Storage rail system

coaxis[®] end cap, narrow

PA



Min. OU: 5 pcs.

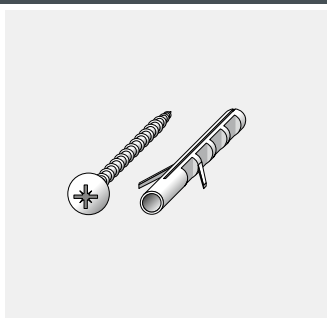
· Can be combined with the **coaxis[®]** profile

Plastic (PA)

Colour	Dim. a	Dim. b	Dim. c	PU	Packaging	EAN / Item no.
A black	35.5 mm	11.0 mm	9.5 mm	2 pieces	SS box	4001116 037696

Screw and dowel

STA



Min. OU: 5 pcs.

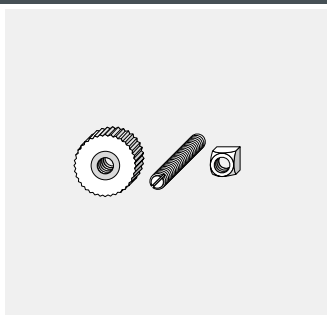
· Can be combined with the **coaxis[®]** profile

Steel

Screw size	Length	Plug size	PU	Packaging	EAN / Item no.
A 4,0 mm	45.0 mm	6.0 mm Ø	8 pieces	each, SS box	4001116 018961

Hook assembling set

STA



Min. OU: 5 pcs.

· Can be combined with the **coaxis[®]** profile
 · This allows hooks to be continuously fastened
 · Contents: 6 × threaded pin M5 × 16 mm 6 × threaded pin M5 × 23 mm
 6 × knurled nut, plastic (PA) 12 × square nut M5

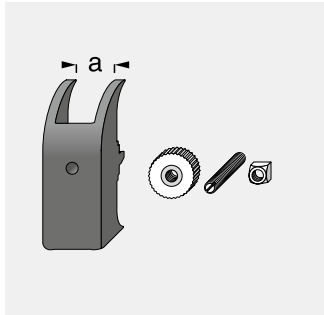
Steel/plastic (PA)

Colour	Packaging	EAN / Item no.
A galvanized	SS box	4001116 018954

Storage range Storage rail system

coaxis[®] hook with anti-swivel protection

PA



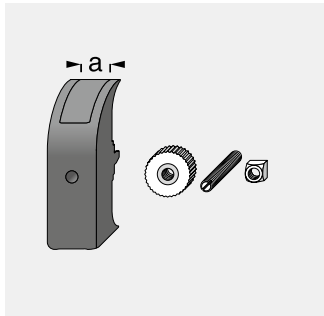
Min. OU: 5 pcs.

- Can be combined with the **coaxis[®]** profile
- Prevents the hooks from twisting
- For 16mm hooks

Plastic (PA)				
Colour	Dim. a	PU	Packaging	EAN/Item no.
A black	16.0mm	2 pieces	SS box	4001116038310

coaxis[®] hook with anti-swivel protection

PA



Min. OU: 5 pcs.

- Can be combined with the **coaxis[®]** profile
- Prevents the hooks from twisting
- For 12mm hooks


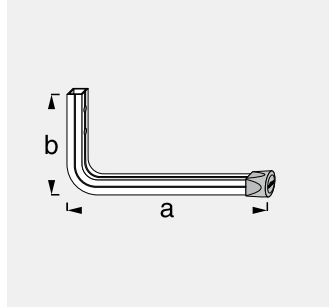

Plastic (PA)				
Colour	Dim. a	PU	Packaging	EAN/Item no.
A black	12.0mm	2 pieces	SS box	4001116038303

Storage range | 97022 | 01 2017 | 71708




Storage range Profile hook | Aluminium

Wall hook

· Can be combined with the **coaxis**[®] profile


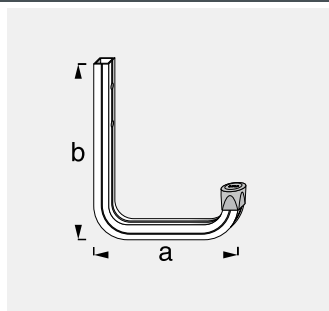

ALU



Min. OU: 5 pcs.


Uncoated aluminium						
None	Colour	Dim. a	Dim. b	Load	Packaging	EAN / Item no.
A type 1	uncoated	175.0 mm	80.0 mm	15.0 kg max.	loose	4001116 01901 2
A type 2	uncoated	230.0 mm	130.0 mm	20.0 kg max.	loose	4001116 01902 9

Wall hook

· Can be combined with the **coaxis**[®] profile


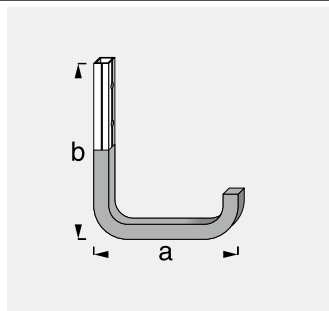

ALU



Min. OU: 5 pcs.


Uncoated aluminium						
None	Colour	Dim. a	Dim. b	Load	Packaging	EAN / Item no.
A type 3	uncoated	80.0 mm	120.0 mm	50.0 kg max.	loose	4001116 01903 6
A type 4	uncoated	115.0 mm	140.0 mm	30.0 kg max.	loose	4001116 01904 3

Wall hook, rubberized

· Can be combined with the **coaxis**[®] profile

ALU

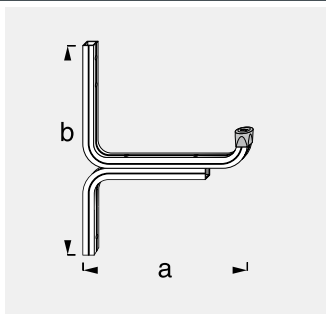


Min. OU: 5 pcs.

Uncoated aluminium						
None	Colour	Dim. a	Dim. b	Load	Packaging	EAN / Item no.
A type 3	red	80.0 mm	120.0 mm	35.0 kg max.	loose	4001116 02903 5
A type 4	red	115.0 mm	140.0 mm	30.0 kg max.	loose	4001116 02904 2
B type 3	green	80.0 mm	120.0 mm	35.0 kg max.	loose	4001116 02913 4
B type 4	green	115.0 mm	140.0 mm	30.0 kg max.	loose	4001116 02914 1

Storage range Profile hook | Aluminium

Wall hook



· Can be combined with the **coaxis**[®] profile

ALU

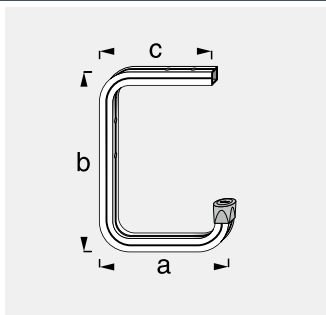


Min. OU: 5 pcs.

Uncoated aluminium

None	Colour	Dim. a	Dim. b	Load	Packaging	EAN/Item no.
A type 5	uncoated	173.0mm	220.0mm	50.0kg max.	loose	4001116019050

Wall and ceiling hook



· Can be combined with the **coaxis**[®] profile

ALU

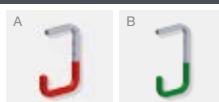
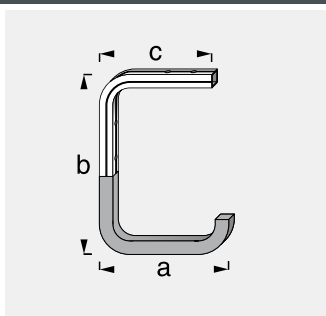


Min. OU: 5 pcs.

Uncoated aluminium

None	Colour	Dim. a	Dim. b	Dim. c	Load	Packaging	EAN/Item no.
A type 6	uncoated	115.0mm	160.0mm	100.0mm	30.0kg max.	loose	4001116019067
A type 7	uncoated	150.0mm	255.0mm	155.0mm	30.0kg max.	loose	4001116019074

Wall and ceiling hook, rubberized



· Can be combined with the **coaxis**[®] profile

ALU



Min. OU: 5 pcs.

Uncoated aluminium

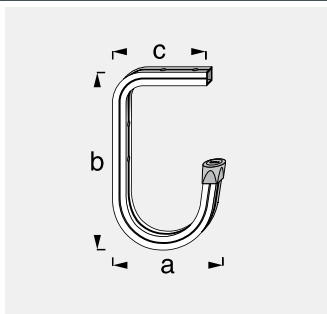
None	Colour	Dim. a	Dim. b	Dim. c	Load	Packaging	EAN/Item no.
A type 6	red	115.0mm	160.0mm	100.0mm	30.0kg max.	loose	4001116029066
A type 7	red	150.0mm	255.0mm	155.0mm	30.0kg max.	loose	4001116029073
B type 6	green	115.0mm	160.0mm	100.0mm	30.0kg max.	loose	4001116029165
B type 7	green	150.0mm	255.0mm	155.0mm	30.0kg max.	loose	4001116029172

Storage range

Profile hook | Aluminium

Wall and ceiling hook

ALU



Min. OU: 5 pcs.

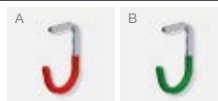
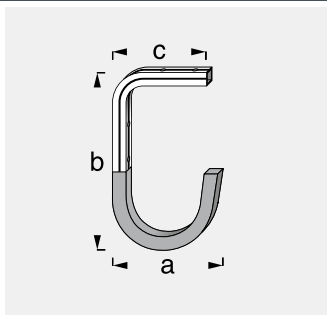
· Can be combined with the **coaxis**[®] profile

Uncoated aluminium

None	Colour	Dim. a	Dim. b	Dim. c	Load	Packaging	EAN / Item no.
A type 8	uncoated	110.0 mm	165.0 mm	90.0 mm	35.0 kg max.	loose	4001116 01908 1

Wall and ceiling hook, rubberized

ALU



Min. OU: 5 pcs.

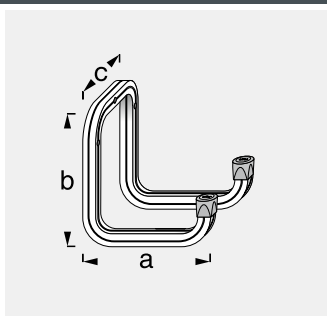
· Can be combined with the **coaxis**[®] profile

Uncoated aluminium

None	Colour	Dim. a	Dim. b	Dim. c	Load	Packaging	EAN / Item no.
A type 8	red	110.0 mm	165.0 mm	90.0 mm	35.0 kg max.	loose	4001116 02908 0
B type 8	green	110.0 mm	165.0 mm	90.0 mm	35.0 kg max.	loose	4001116 02918 9

Storage system

ALU



Min. OU: 5 pcs.

· Can be combined with the **coaxis**[®] profile

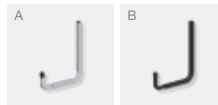
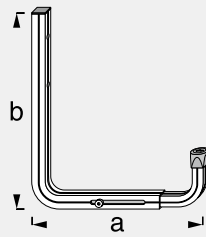
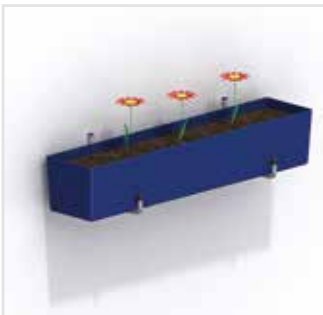
Uncoated aluminium

None	Colour	Dim. a	Dim. b	Dim. c	Load	Packaging	EAN / Item no.
A type 9	uncoated	173.0 mm	120.0 mm	98.0 mm	15.0 kg max.	loose	4001116 01929 6

Storage range Profile hook | Aluminium

Wall-mounted flower box bracket

ALU



Min. OU: 5 pcs.

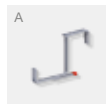
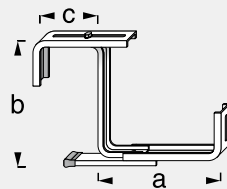
· Adapt to various depths of flower boxes without any problem

Uncoated aluminium

	Colour	Dim. a min.	Dim. a max.	Dim. b	Dim. c	Load	Packaging	EAN/Item no.
A	uncoated	190.0mm	255.0mm	230.0mm	75.0mm	20.0kg max.	loose	4001116029257
B	black	190.0mm	255.0mm	230.0mm	75.0mm	20.0kg max.	loose	4001116029264

Flower box holder with special support

ALU



Min. OU: 5 pcs.

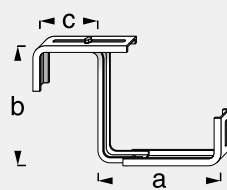
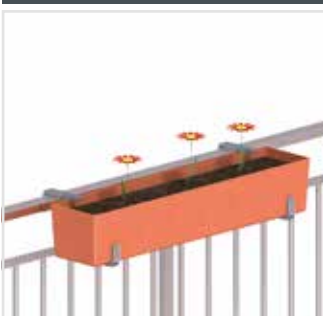
· Adapt to various depths of flower boxes without any problem

Uncoated aluminium

	None	Colour	Dim. a max.	Dim. a min.	Dim. b	Dim. c max.	Dim. c min.	Load	Packaging	EAN/Item no.
A	type 16	uncoated	230.0mm	60.0mm	200.0mm	155.0mm	35.0mm	25.0kg max.	loose	4001116019166

Flower box holder

ALU



Min. OU: 5 pcs.

· Rack adapts to the respective depth of the flowerbox

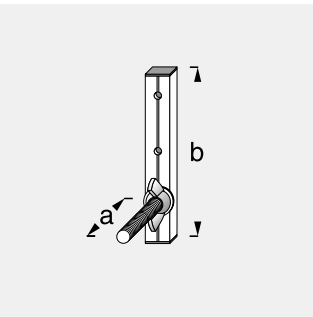
Uncoated aluminium

	None	Colour	Dim. a max.	Dim. a min.	Dim. b	Dim. c max.	Dim. c min.	Load	Packaging	EAN/Item no.
A	type 17	uncoated	230.0mm	60.0mm	200.0mm	155.0mm	35.0mm	20.0kg max.	loose	4001116019173

Storage range Profile hook | Aluminium

Support for wheels, assembly set

ALU



Min. OU: 5 pcs.

· Can be combined with the **coaxis**[®] profile

Uncoated aluminium

None	Colour	Dim. a	Dim. b	Load	PU	Packaging	EAN/Item no.
A type 19	uncoated	90.0mm	140.0mm	20.0kg max.	1 piece	loose	4001116019197
A type 19	uncoated	90.0mm	140.0mm	20.0kg max.	4 pieces	clap-pac	4001116519192

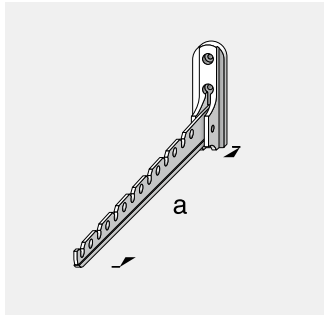


Storage range | 97022 | 01 2017 | 71708

Storage range Clothes hooks

Clothes hook

ALG



Min. OU: 5 pcs.

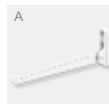
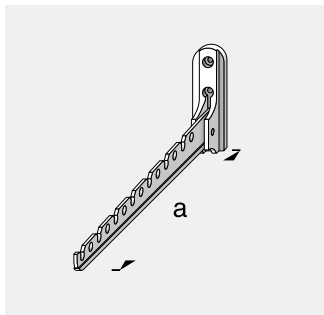
- Can be combined with the **coaxis**[®] profile
- Manufactured from Plastic (PA)

Aluminium, vibratory finish

None	Colour	Dim. a	Load	Packaging	EAN/Item no.
A type 10	vibratory finish	330.0mm	15.0kg max.	loose	4001116019104

Clothes hook

ALP



Min. OU: 5 pcs.

- Can be combined with the **coaxis**[®] profile
- Manufactured from Plastic (PA)

Powder-coated aluminium

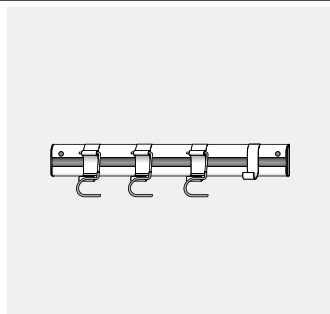
None	Colour	Dim. a	Load	Packaging	EAN/Item no.
A 10	white	330.0mm	15.0kg max.	loose	4001116019906

Storage range

Storage systems | Home, garage and garden

Storage system with **coaxis**® profile, wide

ALU



Min. OU: 5 pcs.

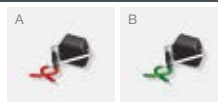
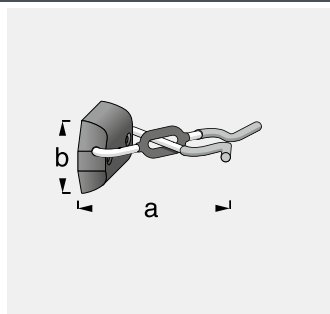
- Can be combined with the **coaxis**® profile
- Hook Type 11 = 3 × storage systems and 1 × universal support
- Hook Type 12 = 5 × storage systems and 3 × universal supports

Uncoated aluminium

None	Colour	Dim. a	Hook	Load	Packaging	EAN / Item no.
A type 11	uncoated	500.0 mm	4 pieces	40.0 kg max.	shrink-wrapped	4001116019111
A type 12	uncoated	1,000.0 mm	8 pieces	80.0 kg max.	shrink-wrapped	4001116019128

x-star® storage system, wall-mounted

STA



Min. OU: 5 pcs.

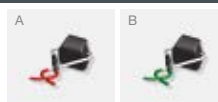
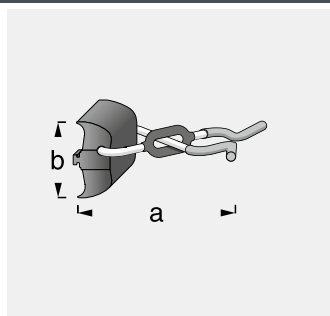
- Extremely stable with a high load capacity (6 mm wire)
- Optimum bond thanks to the integrated retaining spring
- Parallel clamping scissors

Steel/plastic (PVC)

None	Colour	Dim. a	Dim. b	Load	Packaging	EAN / Item no.
A type wall	red	140.0 mm	60.0 mm	15.0 kg max.	loose	4001116029301
B type wall	green	140.0 mm	60.0 mm	15.0 kg max.	loose	4001116029400

x-star® storage system, for **coaxis**® rails

STA



Min. OU: 5 pcs.

- Extremely stable with a high load capacity (6 mm wire)
- Optimum bond thanks to the integrated retaining spring
- Parallel clamping scissors

Steel/plastic (PVC)

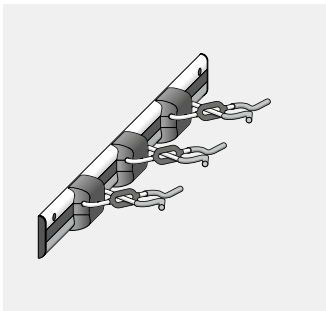
None	Colour	Dim. a	Dim. b	Load	Packaging	EAN / Item no.
A type rail	red	140.0 mm	60.0 mm	15.0 kg max.	loose	4001116029318
B type rail	green	140.0 mm	60.0 mm	15.0 kg max.	loose	4001116029417

Storage range

Storage systems | Home, garage and garden

x-star[®] set, rails with storage system

ALU



Min. OU: 5 pcs.

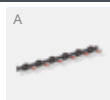
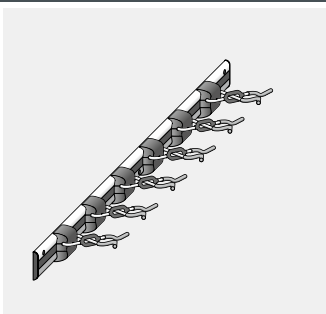
- Continuously adjustable, extremely stable with a high load capacity
- Optimum bond thanks to the integrated retaining spring
- Parallel clamping scissors

Uncoated aluminium

None	Colour	Dim. a	Hook	Load	Packaging	EAN / Item no.
A type rail	red	500.0 mm	3 pieces	40.0 kg max.	loose	400111602932 5
A type rail	red	500.0 mm	3 pieces	40.0 kg max.	SS cardboard box	400111602934 9

x-star[®] set, rails with storage system

ALU



Min. OU: 5 pcs.

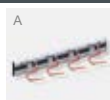
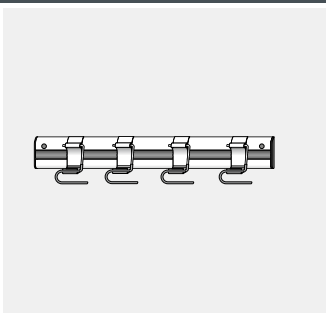
- Continuously adjustable, extremely stable with a high load capacity
- Optimum bond thanks to the integrated retaining spring
- Parallel clamping scissors

Uncoated aluminium

None	Colour	Dim. a	Hook	Load	Packaging	EAN / Item no.
A type rail	red	1,000.0 mm	6 pieces	50.0 kg max.	loose	400111602933 2
A type rail	red	1,000.0 mm	6 pieces	50.0 kg max.	SS cardboard box	400111602935 6
B type rail	green	1,000.0 mm	6 pieces	50.0 kg max.	loose	400111602943 1

Ski holder with coaxis[®] profile, wide

ALU



Min. OU: 5 pcs.

- Can be combined with the **coaxis**[®] profile

Uncoated aluminium

None	Colour	Dim. a	Hook	Load	Packaging	EAN / Item no.
A type 14	uncoated	500.0 mm	4 pieces	40.0 kg max.	shrink-wrapped	400111601914 2

Storage range

Storage systems | Home, garage and garden

Storage system							STA
							Min. OU: 5 pcs.
							· Can be combined with the coaxis [®] profile

Steel							EAN/Item no.
None	Colour	Dim. a	Dim. b	Load	Packaging		
A type 21	uncoated	60.0 mm	88.0 mm	10.0 kg max.	loose	4001116018213	

Ski support							STA
							Min. OU: 5 pcs.
							· Can be combined with the coaxis [®] profile

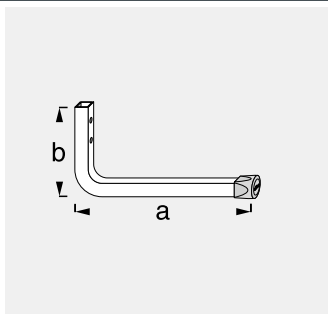
Steel							EAN/Item no.
None	Colour	Dim. a	Dim. b	Load	Packaging		
A type 22	uncoated	80.0 mm	88.0 mm	10.0 kg max.	loose	4001116018220	



Storage range | 97022 | 01 2017 | 71708

Storage range Profile hook | Steel

Wall hook, steel



STA



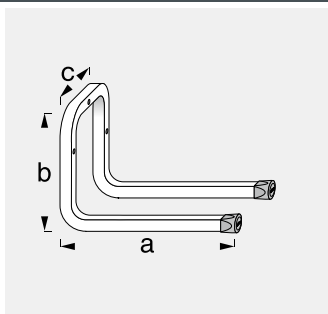
Min. OU: 5 pcs.

· Can be combined with the **coaxis**[®] profile

Galvanized steel

Colour	Dim. a	Dim. b	Load	Packaging	EAN/Item no.
A galvanized	175.0 mm	80.0 mm	15.0 kg max.	loose	4001116029509
A galvanized	350.0 mm	165.0 mm	25.0 kg max.	loose	4001116029523

Steel double hook



STA



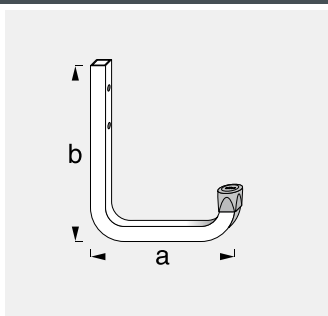
Min. OU: 5 pcs.

· Can be combined with the **coaxis**[®] profile

Galvanized steel

Colour	Dim. a	Dim. b	Dim. c	Load	Packaging	EAN/Item no.
A galvanized	200.0 mm	80.0 mm	98.0 mm	20.0 kg max.	loose	4001116029530

Wall hook, steel



STA



Min. OU: 5 pcs.

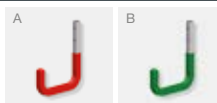
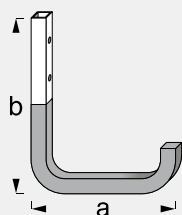
· Can be combined with the **coaxis**[®] profile

Galvanized steel

Colour	Dim. a	Dim. b	Load	Packaging	EAN/Item no.
A galvanized	80.0 mm	120.0 mm	45.0 kg max.	loose	4001116029554
A galvanized	115.0 mm	140.0 mm	30.0 kg max.	loose	4001116029585
A galvanized	150.0 mm	210.0 mm	50.0 kg max.	loose	4001116029615
A galvanized	250.0 mm	300.0 mm	30.0 kg max.	loose	4001116029646

Storage range Profile hook | Steel

Wall hook, steel, rubberized



STA



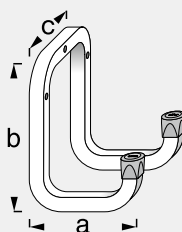
Min. OU: 5 pcs.

· Can be combined with the **coaxis**[®] profile

Galvanized steel

Colour	Dim. a	Dim. b	Load	Packaging	EAN / Item no.
A red	80.0mm	115.0mm	45.0 kg max.	loose	4001116 02956 1
A red	115.0mm	140.0mm	30.0 kg max.	loose	4001116 02959 2
A red	150.0mm	210.0mm	50.0 kg max.	loose	4001116 02962 2
A red	250.0mm	300.0mm	30.0 kg max.	loose	4001116 02965 3
B green	80.0mm	115.0mm	45.0 kg max.	loose	4001116 02957 8
B green	115.0mm	140.0mm	30.0 kg max.	loose	4001116 02960 8
B green	150.0mm	210.0mm	50.0 kg max.	loose	4001116 02963 9
B green	250.0mm	300.0mm	30.0 kg max.	loose	4001116 02966 0

Utensil hook, steel



STA



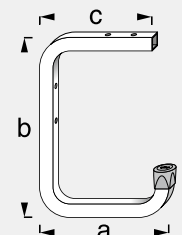
Min. OU: 5 pcs.

· Can be combined with the **coaxis**[®] profile

Galvanized steel

Colour	Dim. a	Dim. b	Dim. c	Load	Packaging	EAN / Item no.
A galvanized	90.0mm	120.0mm	98.0mm	40.0 kg max.	loose	4001116 02968 4
A galvanized	173.0mm	120.0mm	98.0mm	20.0 kg max.	loose	4001116 02969 1
A galvanized	250.0mm	120.0mm	98.0mm	15.0 kg max.	loose	4001116 02970 7
A galvanized	325.0mm	120.0mm	98.0mm	12.0 kg max.	loose	4001116 02971 4

Wall and ceiling hook, steel, galvanized



STA



Min. OU: 5 pcs.

· Can be combined with the **coaxis**[®] profile

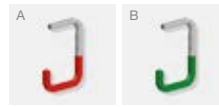
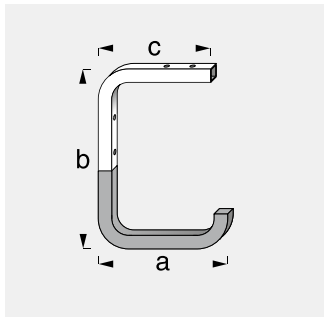
Galvanized steel

Colour	Dim. a	Dim. b	Dim. c	Load	Packaging	EAN / Item no.
A galvanized	115.0mm	160.0mm	100.0mm	30.0 kg max.	loose	4001116 02972 1
A galvanized	150.0mm	255.0mm	155.0mm	50.0 kg max.	loose	4001116 02975 2

Storage range Profile hook | Steel

Wall and ceiling hook, steel, rubberized

STA



Min. OU: 5 pcs.

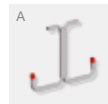
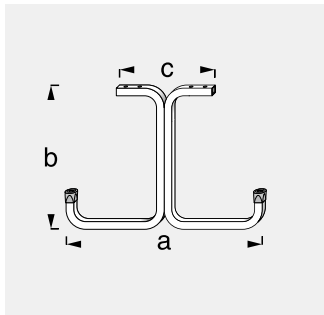
· Can be combined with the **coaxis**[®] profile

Galvanized steel

Colour	Dim. a	Dim. b	Dim. c	Load	Packaging	EAN/Item no.
A red	115.0mm	160.0mm	100.0mm	30.0kg max.	loose	4001116029738
A red	150.0mm	255.0mm	155.0mm	50.0kg max.	loose	4001116029769
B green	115.0mm	160.0mm	100.0mm	30.0kg max.	loose	4001116029745
B green	150.0mm	255.0mm	155.0mm	50.0kg max.	loose	4001116029776

T ceiling hook, steel, galvanized

STA



Min. OU: 5 pcs.

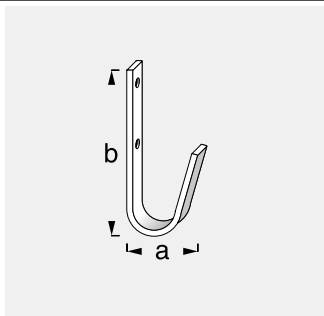
· Can be combined with the **coaxis**[®] profile

Galvanized steel

Colour	Dim. a	Dim. b	Dim. c	Load	Packaging	EAN/Item no.
A galvanized	410.0mm	295.0mm	200.0mm	40.0kg max.	loose	4001116029790

Universal hook, steel, galvanized

STA



Min. OU: 5 pcs.

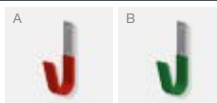
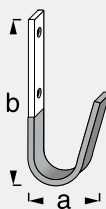
Galvanized steel

Colour	Dim. a	Dim. b	Load	Packaging	EAN/Item no.
A galvanized	35.0mm	82.0mm	30.0kg max.	loose	4001116029806

Storage range Profile hook | Steel

Universal hook, steel, rubberized

STA



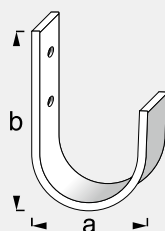
Min. OU: 5 pcs.

Galvanized steel

Colour	Dim. a	Dim. b	Load	Packaging	EAN / Item no.
A red	35.0mm	82.0 mm	30.0 kg max.	loose	4001116 02981 3
B green	35.0mm	82.0 mm	30.0 kg max.	loose	4001116 02982 0

Universal hook, steel, galvanized

STA



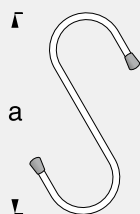
Min. OU: 5 pcs.

Galvanized steel

Colour	Dim. a	Dim. b	Load	Packaging	EAN / Item no.
A galvanized	70.0 mm	110.0 mm	55.0 kg max.	loose	4001116 02987 7

Bucket hook

STA



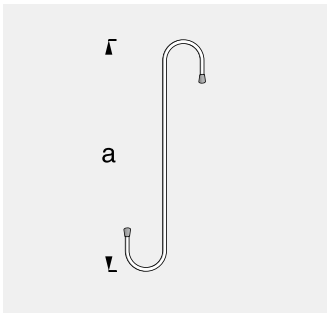
Min. OU: 5 pcs.

Galvanized steel

Colour	Dim. a	Load	Packaging	EAN / Item no.
A galvanized	180.0 mm	20.0 kg max.	loose	4001116 02984 4

Storage range Profile hook | Steel

Knurled hook



STA

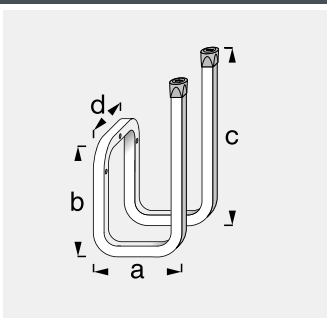


Min. OU: 5 pcs.

Galvanized steel

Colour	Dim. a	Load	Packaging	EAN/Item no.
A galvanized	840.0 mm	15.0 kg max.	loose	400111602985 1

Boot rack



STA



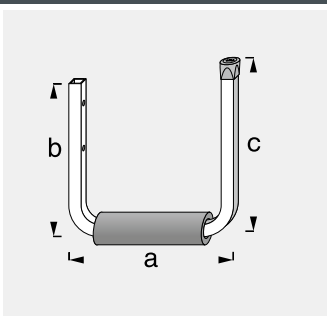
Min. OU: 5 pcs.

· Can be combined with the **coaxis**[®] profile

Galvanized steel

Colour	Dim. a	Dim. b	Dim. c	Dim. d	Load	Packaging	EAN/Item no.
A galvanized	98.0 mm	120.0 mm	200.0 mm	98.0 mm	25.0 kg max.	loose	400111602986 8
A galvanized	98.0 mm	120.0 mm	400.0 mm	98.0 mm	25.0 kg max.	loose	400111602987 5

Surfboard holder



STA



Min. OU: 5 pcs.

· Can be combined with the **coaxis**[®] profile

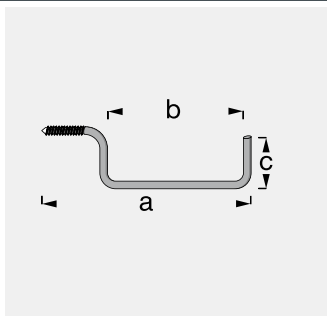
Galvanized steel

Colour	Dim. a	Dim. b	Dim. c	Load	Packaging	EAN/Item no.
A galvanized	215.0 mm	200.0 mm	250.0 mm	30.0 kg max.	loose	400111602988 2

Storage range Profile hook | Steel

Screw-in wall hook, rubber coated

STA

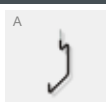
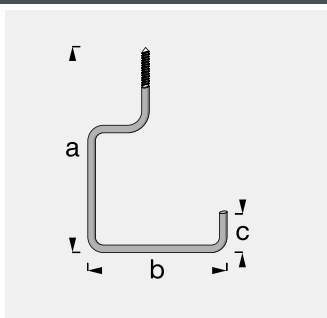
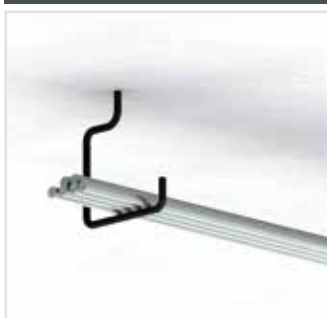


Min. OU: 5 pcs.

Steel						
Colour	Dim. a	Dim. b	Dim. c	Load	Packaging	EAN / Item no.
A black	193.0mm	134.0mm	44.0mm	10.0kg max.	loose	4001116 029912

Screw-in ceiling hook, rubber coated

STA

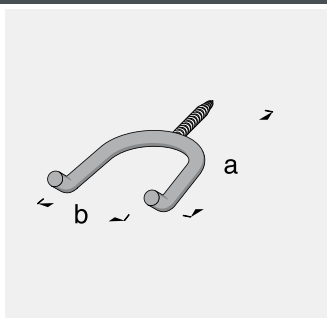


Min. OU: 5 pcs.

Steel						
Colour	Dim. a	Dim. b	Dim. c	Load	Packaging	EAN / Item no.
A black	173.0mm	116.0mm	33.0mm	10.0kg max.	loose	4001116 029929

Tools screw-in hook, rubber coated

STA



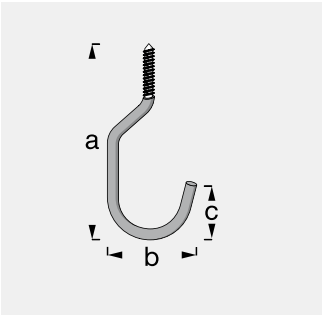
Min. OU: 5 pcs.

Steel						
Colour	Dim. a	Dim. b	Load	Packaging	EAN / Item no.	
A black	105.0mm	44.0mm	10.0kg max.	loose	4001116 029943	

Storage range Profile hook | Steel

Bicycle screw-in hook, rubber coated

STA



Min. OU: 5 pcs.

Steel	Colour	Dim. a	Dim. b	Load	Packaging	EAN/Item no.
A	black	153.0mm	70.0mm	15.0kg max.	loose	4001116029936



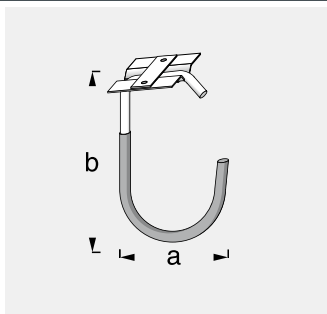
Storage range | 97022 | 01 2017 | 71708

Storage range

Bicycle stands, hooks and lifts

Bike hook, rubberized

STA



Min. OU: 5 pcs.

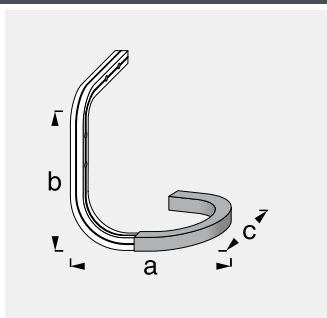
- Suitable for wall and ceiling mounting

Galvanized steel

Colour	Dim. a	Dim. b	Load	Packaging	EAN / Item no.
A red	90.0mm	125.0mm	30.0kg max.	loose	4001116 019593

Wall and ceiling bicycle hook, rubberized

ALU



Min. OU: 5 pcs.

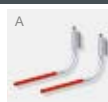
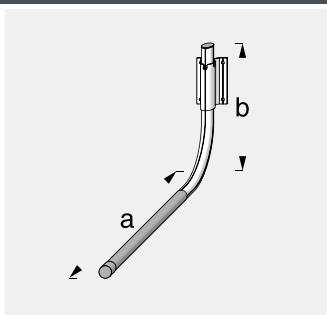
- Can be combined with the **coaxis**[®] profile
- Suitable for wall and ceiling mounting
- For space-saving and secure storage

Uncoated aluminium

Colour	Dim. a	Dim. b	Dim. c	Load	Packaging	EAN / Item no.
A red	150.0mm	150.0mm	120.0mm	20.0kg max.	loose	4001116 029097

Universal bicycle holder, rubberized

ALU



Min. OU: 5 pcs.

- Bicycle holder for two bikes, can be folded down at the side
- Protects paint due to special rubberized surface

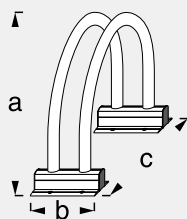
Uncoated aluminium

Colour	Dim. a	Dim. b	Load	PU	Packaging	EAN / Item no.
A uncoated	550.0mm	270.0mm	30.0kg max.	2 pieces	loose	4001116 029905

Storage range

Bicycle stands, hooks and lifts

Bicycle stand rigid



ALU



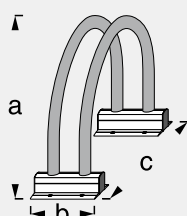
Min. OU: 5 pcs.

- For tire widths from 35 mm to 55 mm
- Extremely stable
- Gentle on rims and tires due to the shape of the contact areas

Uncoated aluminium

Colour	Dim. a	Dim. b	Dim. c	Packaging	EAN / Item no.
A uncoated	250.0 mm	110.0 mm	365.0 mm	loose	4001116019265

Bicycle stand, rigid, rubberized



ALU



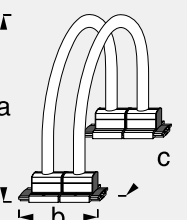
Min. OU: 5 pcs.

- For tire widths from 35 mm to 55 mm
- Extremely stable
- Gentle on rims and tires due to the shape of the contact areas

Uncoated aluminium

Colour	Dim. a	Dim. b	Dim. c	Packaging	EAN / Item no.
A red	250.0 mm	110.0 mm	365.0 mm	loose	4001116019272

Bicycle stand adjustable



ALU



Min. OU: 5 pcs.

- For every tire width on both road bikes and mountain bikes
- Continuously adjustable, extremely stable
- Gentle on rims and tires due to the shape of the contact areas

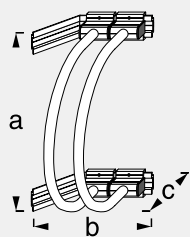
Uncoated aluminium

Colour	Dim. a	Dim. b	Dim. c	Packaging	EAN / Item no.
A uncoated	250.0 mm	150.0 mm	365.0 mm	loose	4001116029196

Storage range

Bicycle stands, hooks and lifts

Bicycle stand 45° adjustable



ALU



Min. OU: 5 pcs.

- For every tire width on both road bikes and mountain bikes
- Continuously adjustable, extremely stable
- Gentle on rims and tires due to the shape of the contact areas

Uncoated aluminium

Colour	Dim. a	Dim. b	Dim. c	Packaging	EAN / Item no.
A uncoated	365.0 mm	250.0 mm	250.0 mm	loose	4001116 02920 2

Bicycle stand rigid triple



ALU



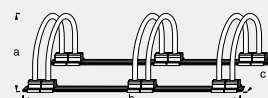
Min. OU: 5 pcs.

- For tire widths from 35 mm to 55 mm
- Extremely stable
- Gentle on rims and tires due to the shape of the contact areas

Uncoated aluminium

Colour	Dim. a	Dim. b	Dim. c	Packaging	EAN / Item no.
A uncoated	250.0 mm	800.0 mm	365.0 mm	loose	4001116 02921 9

Bicycle stand adjustable triple



ALU



Min. OU: 5 pcs.

- For every tire width on both road bikes and mountain bikes
- Continuously adjustable, extremely stable
- Gentle on rims and tires due to the shape of the contact areas

Uncoated aluminium

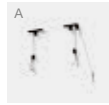
Colour	Dim. a	Dim. b	Dim. c	Packaging	EAN / Item no.
A uncoated	250.0 mm	800.0 mm	365.0 mm	loose	4001116 02922 6

Storage range

Bicycle stands, hooks and lifts

Bicycle lift

STA



Min. OU: 5 pcs.

- Space-saving and gentle on tires
- Suitable for ceiling heights up to 4 m

Steel	Colour	Load	Packaging	EAN/Item no.
A	black	20.0kg max.	SS cardboard box	400111602995 0



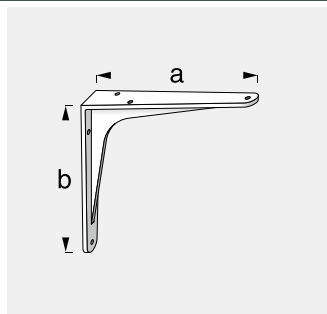
Storage range | 97022 | 01 2017 | 71708

Storage range

Shelving brackets | Heavy casting quality

Shelving bracket, heavy casting quality

ALP



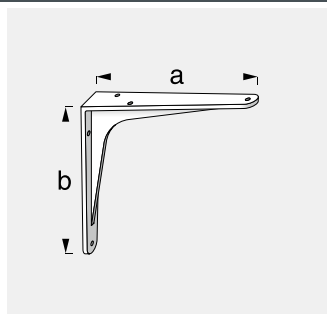
Min. OU: 5 pcs.

Powder-coated aluminium

Colour	Dim. a	Dim. b	Load	Packaging	EAN / Item no.
A white	125.0mm	100.0mm	55.0 kg max.	loose	4001116017100
A white	150.0mm	125.0mm	60.0 kg max.	loose	4001116017117
A white	173.0mm	150.0mm	70.0 kg max.	loose	4001116017124
A white	200.0mm	173.0mm	75.0 kg max.	loose	4001116017131
A white	250.0mm	200.0mm	80.0 kg max.	loose	4001116017148
A white	300.0mm	250.0mm	90.0 kg max.	loose	4001116017155
A white	400.0mm	350.0mm	130.0 kg max.	loose	4001116017179
B brown	150.0mm	125.0mm	60.0 kg max.	loose	4001116017216
B brown	200.0mm	173.0mm	75.0 kg max.	loose	4001116017230
B brown	300.0mm	250.0mm	90.0 kg max.	loose	4001116017254

Shelving bracket, heavy casting quality

ALK



Min. OU: 5 pcs.

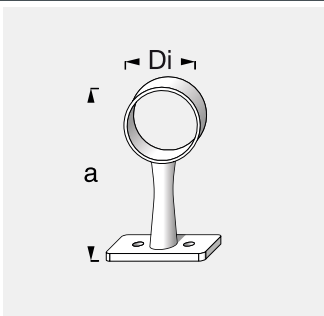
Aluminium, tumble polished

Colour	Dim. a	Dim. b	Load	Packaging	EAN / Item no.
A tumbling polished	125.0mm	100.0mm	55.0 kg max.	loose	4001116311253
A tumbling polished	150.0mm	125.0mm	60.0 kg max.	loose	4001116311505
A tumbling polished	173.0mm	150.0mm	70.0 kg max.	loose	4001116311758
A tumbling polished	200.0mm	173.0mm	75.0 kg max.	loose	4001116312007
A tumbling polished	250.0mm	200.0mm	80.0 kg max.	loose	4001116312502
A tumbling polished	300.0mm	250.0mm	90.0 kg max.	loose	4001116313004
A tumbling polished	350.0mm	300.0mm	100.0 kg max.	loose	4001116313509
A tumbling polished	400.0mm	350.0mm	130.0 kg max.	loose	4001116314001
A tumbling polished	450.0mm	400.0mm	150.0 kg max.	loose	4001116314506
A tumbling polished	500.0mm	450.0mm	160.0 kg max.	loose	4001116315008

Storage range

Furniture construction profiles

Centre support, injection moulded



GUS



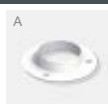
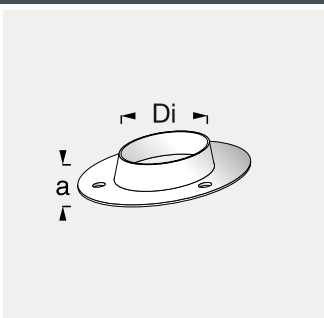
Min. OU: 5 pcs.

· Suitable for tubes with a diameter of 25 mm

Zinc die-casting, chrome-plated

Colour	Dim. a	Dim. Di	PU	Packaging	EAN / Item no.
A chrome	66.0 mm	25.0 mm	2 pieces	SS box	400111602891 5

Wall socket set, steel



STA



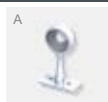
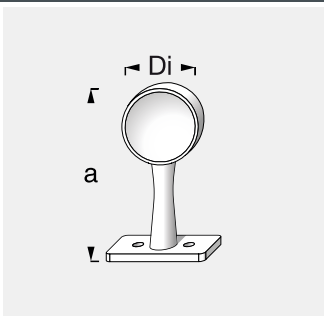
Min. OU: 5 pcs.

· Suitable for tubes with a diameter of 25 mm

Steel, coated

Colour	Dim. a	Dim. Di	PU	Packaging	EAN / Item no.
A white	14.0 mm	25.0 mm	2 pieces	SS box	400111602898 4

End support set, injection moulded



GUS



Min. OU: 5 pcs.

· Suitable for tubes with a diameter of 25 mm

Zinc die-casting, chrome-plated

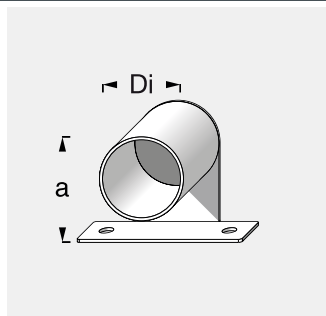
Colour	Dim. a	Dim. Di	PU	Packaging	EAN / Item no.
A chrome	66.0 mm	25.0 mm	2 pieces	SS box	400111602890 8

Storage range

Furniture construction profiles

Cranked end bracket set, steel

STA



Min. OU: 5 pcs.

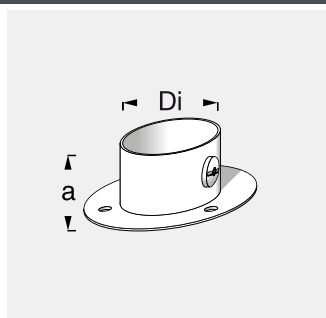
· Suitable for tubes with a diameter of 25 mm

Steel, chrome-plated

Colour	Dim. a	Dim. Di	PU	Packaging	EAN / Item no.
A chrome	40.0 mm	25.0 mm	2 pieces	SS box	4001116 02894 6

Socket with tube securing screw, injection moulded

GUS



Min. OU: 5 pcs.

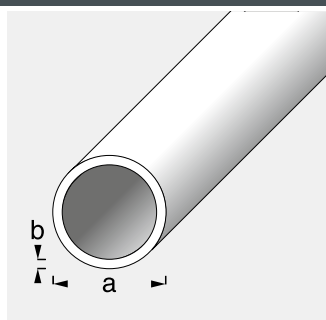
· Suitable for tubes with a diameter of 25 mm
· The fixing screw secures the tube against twisting

Zinc die-casting, chrome-plated

Colour	Dim. a	Dim. Di	PU	Packaging	EAN / Item no.
A chrome	17.0 mm	25.0 mm	2 pieces	SS box	4001116 02892 2

Steel tube

STA



Min. OU: 5 pcs.

Steel, chrome-plated

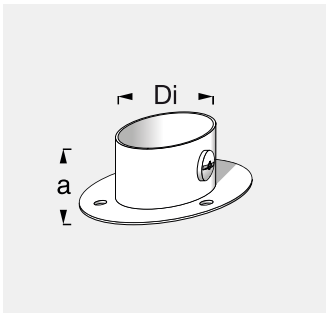
Colour	Dim. a	Dim. b	Packaging	length: 1.00 m EAN / Item no.	length: 2.00 m EAN / Item no.
A chrome	25.0 mm	0.6 mm	shrink-wrapped	4001116 07200 0	4001116 07205 5

Storage range

Furniture construction profiles

Socket with tube securing screw, injection moulded

GUS



Min. OU: 5 pcs.

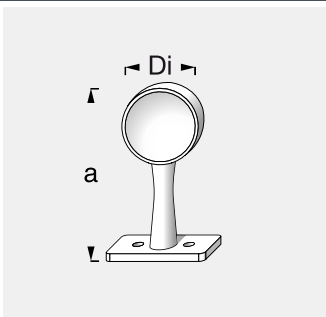
- Suitable for tubes with a diameter of 25 mm
- The fixing screw secures the tube against twisting

Zinc die-casting, coated

Colour	Dim. a	Dim. Di	PU	Packaging	EAN / Item no.
A white	17.0 mm	25.0 mm	2 pieces	SS box	400111602897 7

End support set, injection moulded

GUS



Min. OU: 5 pcs.

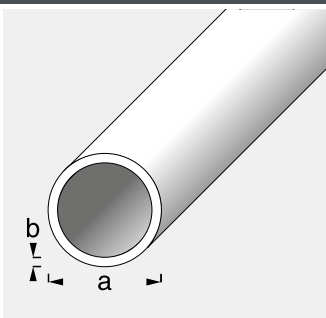
- Suitable for tubes with a diameter of 25 mm

Zinc die-casting, coated

Colour	Dim. a	Dim. Di	PU	Packaging	EAN / Item no.
A white	66.0 mm	25.0 mm	2 pieces	SS box	400111602895 3

Steel tube

STA



Min. OU: 5 pcs.

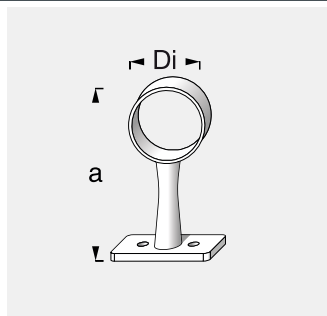
Steel, coated

Colour	Dim. a	Dim. b	Packaging	length: 1.00 m EAN / Item no.	length: 2.00 m EAN / Item no.
A white	25.0 mm	0.6 mm	shrink-wrapped	400111607231 4	400111607232 1

Storage range Furniture construction profiles

Centre support, injection moulded

GUS



Min. OU: 5 pcs.

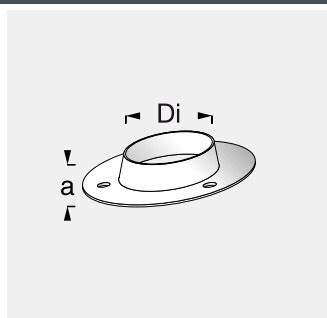
· Suitable for tubes with a diameter of 25 mm

Zinc die-casting, coated

Colour	Dim. a	Dim. Di	PU	Packaging	EAN / Item no.
A white	66.0 mm	25.0 mm	2 pieces	SS box	4001116 028960

Wall socket set, steel

STA



Min. OU: 5 pcs.

· Suitable for tubes with a diameter of 25 mm

Steel, chrome-plated

Colour	Dim. a	Dim. Di	PU	Packaging	EAN / Item no.
A chrome	14.0 mm	25.0 mm	2 pieces	SS box	4001116 028999

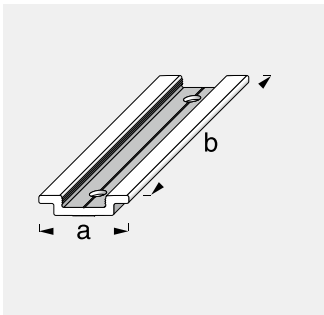


Storage range

Overhead storage system

Fixing panel

ALU



Min. OU: 5 pcs.

- Base profile for variable mounting
- Base profile for variable installation of the preferred type of suspensions

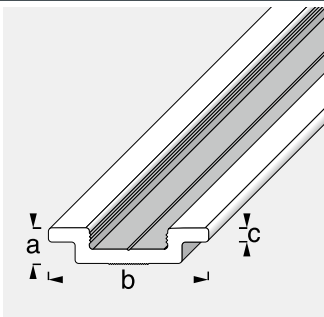
Uncoated aluminium

length: 0.15 m

Colour	Dim. a	Dim. b	Load	Packaging	EAN / Item no.
A uncoated	45.0 mm	150.0 mm	100.0 kg max.	loose	4001116028007

Fixing rail

ALU



Min. OU: 5 pcs.

- Base profile for variable mounting
- Base profile for variable installation of the preferred type of suspensions

Uncoated aluminium

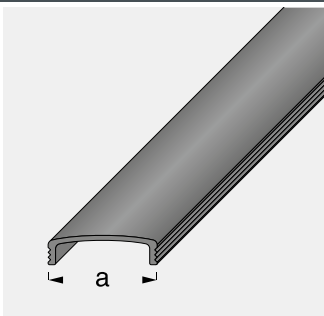
length: 1.00 m

length: 2.00 m

Colour	Dim. a	Dim. b	Dim. c	Load	Packaging	EAN / Item no.	EAN / Item no.
A uncoated	10.0 mm	45.0 mm	4.0 mm	100.0 kg max.	loose	4001116028014	4001116028021

Covering profile

PVC



Min. OU: 5 pcs.

- Decorative cover profile
- Adapted to the base profiles

Plastic (hard PVC)

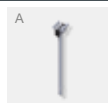
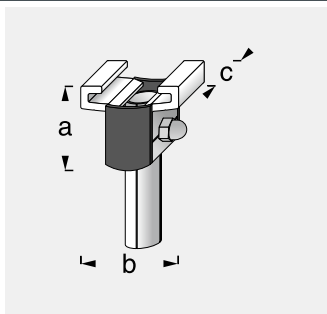
length: 2.00 m

Colour	Dim. a	Packaging	EAN / Item no.
A black	22.0 mm	loose	4001116028038

Storage range Overhead storage system

Hanging bar

ALU



Min. OU: 5 pcs.

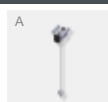
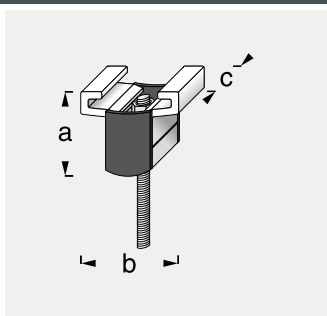
· Mounting to the fastening plate or fastening rail

Uncoated aluminium

Colour	Dim. a	Dim. b	Dim. c	Load	Packaging	length: 0.35 m EAN / Item no.
A uncoated	45.6 mm	53.6 mm	45.0 mm	100.0 kg max.	loose	4001116 02804 5

Hanging rod

ALU



Min. OU: 5 pcs.

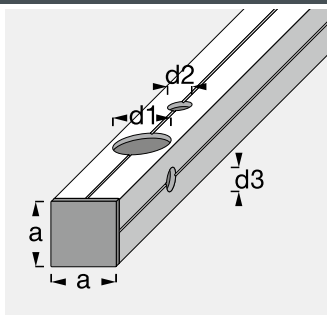
· Mounting to the fastening plate or fastening rail
· Continuous height adjustment enabled

Uncoated aluminium

Colour	Dim. a	Dim. b	Dim. c	Load	Packaging	length: 1.00 m EAN / Item no.	length: 2.00 m EAN / Item no.
A uncoated	45.6 mm	53.6 mm	35.0 mm	100.0 kg max.	loose	4001116 02805 2	4001116 02806 9

Support profile for cross connection profile

ALU



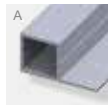
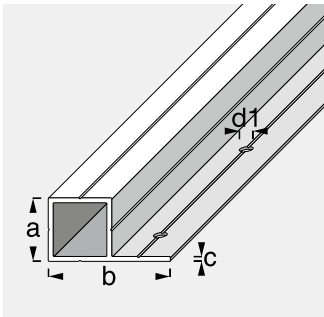
Min. OU: 5 pcs.

Uncoated aluminium

Colour	Dim. a	Dim. b	Dim. d1	Dim. d2	Load	Packaging	length: 1.00 m EAN / Item no.
A uncoated	23.5 mm	1.5 mm	19.5 mm	8.0 mm	80.0 kg max.	loose	4001116 02807 6

Storage range Overhead storage system | Plant trolley

Cross connection profile



ALU

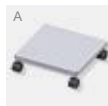
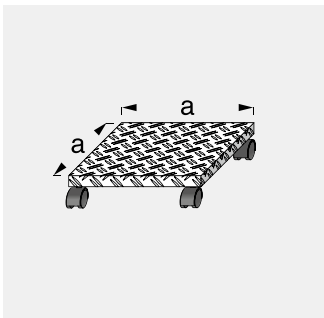


Min. OU: 5 pcs.

Uncoated aluminium

Colour	Dim. a	Dim. b	Dim. c	Dim. d1	Load	Packaging	length: 1.80 m EAN / Item no.
A uncoated	29.5 mm	56.6 mm	2.4 mm	6.0 mm	80.0 kg max.	loose	4001116028083

Plant trolley



ALU



Min. OU: 5 pcs.

Uncoated aluminium

Colour	Dim. a	Load	Packaging	EAN / Item no.
A uncoated	300.0 mm	60.0 kg max.	loose	4001116920332

Storage range | 97022 | 01 2017 | 71708



Storage range

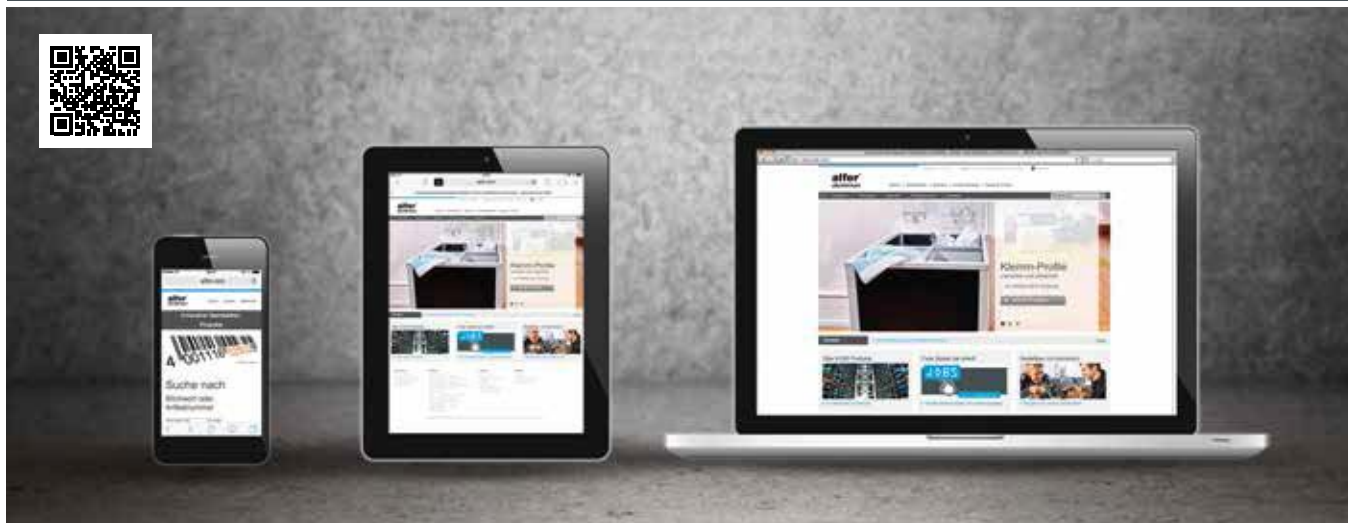


Storage range | 97022 | 01 2017 | 71708

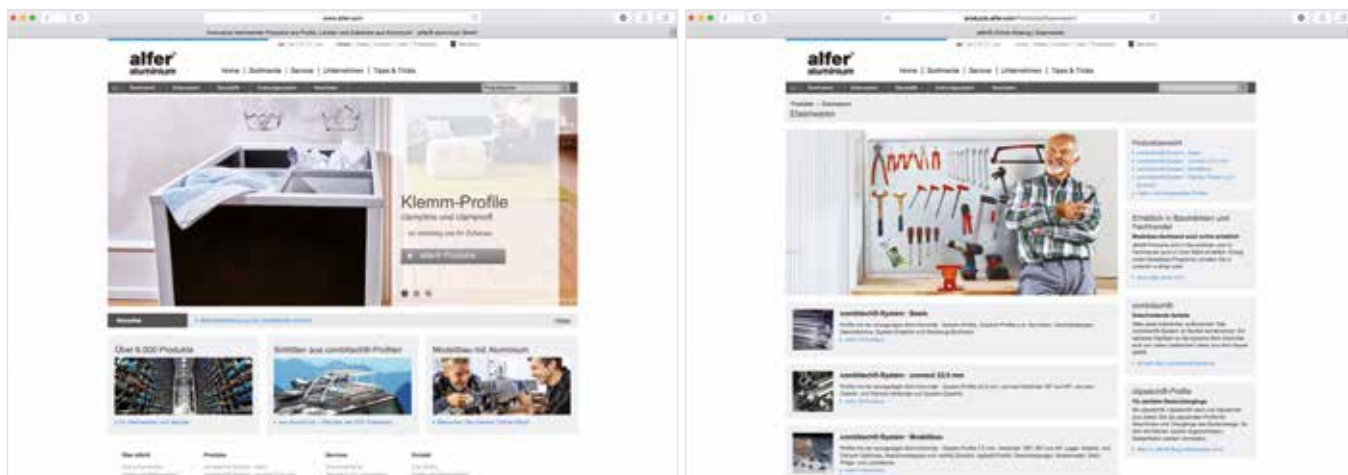
Storage range

Index

alfer[®] makes you mobile



Information about **alfer**[®] and the full product range plus plenty of other useful information can be found online. Our website is also optimised for mobile devices and tablets. Wherever you are, you can find what you are looking for – quickly and clearly.



Start browsing and get enjoying!

The complete product catalogue can also be downloaded in PDF format from our website www.alfer.com, where you will also find many other useful services and suggestions in relation to the fascinating **alfer**[®] product world.

For example, look forward to plenty of practical tips and tricks for existing and budding DIY enthusiasts. Get inspiration from our refined building ideas. Use our comprehensive download area to obtain catalogues, brochures and building instructions. And make sure you take a look at our helpful application and product videos. They are well worth watching!

We look forward to your visit to www.alfer.com

Storage range

Index

alfer[®] ranges



combitech[®] system | Basis

Everything fits together:

The **combitech[®]** system: flexibly combinable. One product highlight is the typical drill alignment groove – just one of many practical ideas from **alfer[®]**. For example, this marks the opposite sides of a rounded pipe making vertical drilling through the middle easy. The Basis range from **combitech[®]** comprises standard aluminium and plastic profiles such as pipes, brackets, square tubes and much, much more.



combitech[®] system | connect 23.5 mm

The **combitech[®]** connect connectors can be used to simply connect 23.5 mm square tubes. Whether frames, shelves or anything else you wish to build, the stable polyamide connectors hold everything together. The connectors are available in two colours: black and white.



combitech[®] system | Sheets, plates and accessories

A huge selection of sheets provides the right product for many applications. The **alfer[®]** sheets come in many different thicknesses and materials. Multiple different finish options are also available from functional to decorative.

Prismatech and Multitube:

The profiles for framing and stabilising the sheets are particularly practical. **alfer[®]** offers clever options to this end through Prismatech and Multitube.



combitech[®] system | logika[®]

logika[®] is a new addition to the **combitech[®]** systems in the form of a logically perforated profile. **logika[®]** profiles enable you to build shelves, tables, steps, and much more. This will enable you to create order in rooms or vehicles. The holes in the profiles are made in such a way that they are as small as possible but as big as necessary to ensure high stability and so that, for example, at least three brackets will fit on top of each other and a further bracket can be screwed in place vertically to the others. The profiles are particularly suited for use in cold-storage rooms, cellars and wet areas.



Profiles for DIY and professional purposes

Flat bars, brackets with even and uneven branches, U-profiles, round bars, rectangular tubes and a whole range of other profiles. These form the basis for you to turn your ideas into reality. The classic semi-finished products for DIY enthusiasts and professionals are made from aluminium with anodised or untreated finishes, as well as many other materials.



Steel profiles

Steel is the most commonly used metallic material and offers an array of impressive benefits: high tensile strength, good malleability and thermal conductivity. The noteworthy material strength and rigidity ensure optimum stability. Furthermore, steel is extremely easy to work and resource-conserving as it can be recycled without any loss of quality. **alfer[®]** steel profiles are available as flat, angle, U, T, round and square profiles and tubes as well as in the form of sectional steel and wide-flanged beams.



combitech[®] system | Model construction

alfer[®] has a special place in its heart for model builders. Model builders can therefore also acquire **combitech[®]** connect connectors for 7.5 mm profiles. Numerous special shapes such as the 150° angle connector are also available. The popular benefits such as the drill alignment groove and the easy-to-combine dimensions also prove their worth in the model construction range.

Discover the full diversity of the model construction range in the online shop: www.alfer-shop.com

Storage range

Index

alfer® ranges



combitech® system | coaxis®

A further addition to the **combitech**® system is the **coaxis**® profile. This consists of four hollow chambers coaxially located around the core. The special design of the aluminium profiles ensure excellent longitudinal and lateral stability with the lowest weight. Equipped with drill alignment holes, the profiles are extremely simple to use and the angle bracket and hook can even be installed without drilling, using simply a square nut and screw. The profiles are ideal for use in damp areas and can even be used in the garden thanks to their weather-resistance.



Storage range

The broad version of the **coaxis**® profile can be horizontally, vertically and diagonally attached to walls and ceilings, allowing you to make optimal use of the available space. With the right hook, everything finds a place, whether indoors or out. Whether in the garden, the garage, the cellar or the attic: everything can be securely stored. The rubber caps on the hooks ensure that nothing gets scratched. The **coaxis**® hooks are available in aluminium or galvanised steel. The **alfer**® bicycle stand is made of lightweight, weather-resistant aluminium. It is suitable for all bikes, from racing bikes and city bikes to mountain bikes. It comes either as a rigid or an infinitely adjustable version, individually or as a three-piece set.



Tile edgings

Clean edges and finishes with aluminium profiles. Whether you lay your tiles yourself or have them laid by a specialist, there is one important 'side issue' that you should never forget. The **alfer**® profiles can be used on corners and edges, transitions between floor coverings and stairways. Clean edges and transitions not only look good but are also hygienic as they prevent any fraying or scuffing and improve water-resistance.



Floor and room profiles

Transitions between different floor coverings, a clean and protective edging or stair edges, all available in a whole range of colours, materials and décors. The stair profiles provide safety and particularly protect textile coverings against scuffing on the edges, ensuring they retain their visual appeal for many years. The profiles are extremely colour stable and completely crush-proof. For minor damage to aged stairs, **alfer**® offers stair repair brackets for simple restoration. **alfer**® door sealing brushes simply and effectively prevent drafts.



Profiles for parquet, laminate and designer floors

Perfectly laid parquet and laminate floorboards the easy way. The ease of laying ready-to-install parquet, cork and laminate floorboards makes them extremely popular with DIY enthusiasts. And anyone who appreciates this feature will love the parquet and laminate profiles from **alfer**®. With **clipstech**®, **clipstech**®-vario and **clipstech**®-plus, you have the perfect profiles for edges and transitions between floor coverings. The edges are therefore cleanly sealed and stumbling hazards are prevented. The **clipstech**® profiles are installed so that no screws are subsequently visible. The cover is simply clipped on.



cabelino® baseboards

Baseboards are ideal for concealing retrospectively laid cables and lines. The **cabelino**® baseboards have been designed for precisely this purpose. The baseboards are TÜV-certified and comply with the latest safety regulations. The décors of the baseboards match those of the **clipstech**® range. **cabelino**® baseboards are also noteworthy from a technical perspective. Thanks to the lock or clamp gap, they can be infinitely adjusted by up to 10 mm so that the baseboard can simply be pressed down if the floor settles over the years.

Storage range Index

Product names A-Z

Bicycle lift.....	35	Screw and dowel	14
Bicycle screw-in hook, rubber coated.....	31	Screw-in ceiling hook, rubber coated.....	30
Bicycle stand 45° adjustable	34	Screw-in wall hook, rubber coated	30
Bicycle stand adjustable.....	33	Shelving bracket, heavy casting quality.....	36
Bicycle stand adjustable triple.....	34	Ski holder with coaxis ® profile, wide.....	23
Bicycle stand rigid.....	33	Ski support.....	24
Bicycle stand rigid triple.....	34	Socket with tube securing screw, injection moulded	38 39
Bicycle stand, rigid, rubberized	33	Steel double hook.....	25
Bike hook, rubberized.....	32	Steel tube.....	38 39
Boot rack.....	29	Storage system	18 24
Bucket hook.....	28	Storage system with coaxis ® profile, wide.....	22
Centre support, injection moulded	37 40	Support for wheels, assembly set.....	20
Clothes hook.....	21	Support profile for cross connection profile	42
coaxis ® cover strip.....	12	Surfboard holder.....	29
coaxis ® end cap, narrow	14	T ceiling hook, steel, galvanized	27
coaxis ® hook assembling set	13	Tools screw-in hook, rubber coated.....	30
coaxis ® hook with anti-swivel protection	15	Universal bicycle holder.....	32
coaxis ® profile, narrow	12	Universal hook, steel, galvanized.....	27 28
coaxis ® profile, wide.....	12	Utensil hook, steel.....	26
coaxis ® suspension plate.....	13	Wall and ceiling bicycle hook, rubberized	32
coaxis ® wall fastening set.....	13	Wall and ceiling hook.....	17 18
Covering profile.....	41	Wall and ceiling hook, rubberized.....	17 18
Cranked end bracket set, steel.....	38	Wall and ceiling hook, steel, galvanized	26 27
Cross connection profile.....	43	Wall hook	16 17
End support set, injection moulded.....	37 39	Wall hook, rubberized	17
Fixing panel.....	41	Wall hook, steel.....	25
Fixing rail.....	41	Wall hook, steel, rubberized.....	26
Flower box holder	19	Wall socket set, steel.....	37 40
Flower box holder with special support.....	19	Wall-mounted flower box bracket.....	19
Hanging bar	42	x-star ® set, rails with storage system.....	23
Hanging rod	42	x-star ® set, rails with storage system.....	23
Hook assembling set	14	x-star ® storage system, for coaxis ® rails.....	22
Knurled hook.....	29	x-star ® storage system, wall-mounted.....	22
Plant trolley	43		



Storage range

Index

Item number summary

01710	Shelving bracket, heavy casting quality.....	36	02958	Wall hook, steel.....	25
01711	Shelving bracket, heavy casting quality.....	36	02959	Wall hook, steel, rubberized.....	26
01712	Shelving bracket, heavy casting quality.....	36	02960	Wall hook, steel, rubberized.....	26
01713	Shelving bracket, heavy casting quality.....	36	02961	Wall hook, steel.....	25
01714	Shelving bracket, heavy casting quality.....	36	02962	Wall hook, steel, rubberized.....	26
01715	Shelving bracket, heavy casting quality.....	36	02963	Wall hook, steel, rubberized.....	26
01717	Shelving bracket, heavy casting quality.....	36	02964	Wall hook, steel.....	25
01721	Shelving bracket, heavy casting quality.....	36	02965	Wall hook, steel, rubberized.....	26
01723	Shelving bracket, heavy casting quality.....	36	02966	Wall hook, steel, rubberized.....	26
01725	Shelving bracket, heavy casting quality.....	36	02968	Utensil hook, steel.....	26
01809	coaxis profile, wide.....	12	02969	Utensil hook, steel.....	26
01810	coaxis profile, wide.....	12	02970	Utensil hook, steel.....	26
01811	coaxis profile, wide.....	12	02971	Utensil hook, steel.....	26
01812	coaxis profile, wide.....	12	02972	Wall and ceiling hook, steel, galvanized.....	26
01821	Storage system.....	24	02973	Wall and ceiling hook, steel, rubberized.....	27
01822	Ski support.....	24	02974	Wall and ceiling hook, steel, rubberized.....	27
01895	Hook assembling set.....	14	02975	Wall and ceiling hook, steel, galvanized.....	26
01896	Screw and dowel.....	14	02976	Wall and ceiling hook, steel, rubberized.....	27
01901	Wall hook.....	16	02977	Wall and ceiling hook, steel, rubberized.....	27
01902	Wall hook.....	16	02979	T ceiling hook, steel, galvanized.....	27
01903	Wall hook.....	16	02980	Universal hook, steel, galvanized.....	27
01904	Wall hook.....	16	02981	Universal hook, steel, rubberized.....	28
01905	Wall hook.....	17	02982	Universal hook, steel, rubberized.....	28
01906	Wall and ceiling hook.....	17	02983	Universal hook, steel, galvanized.....	28
01907	Wall and ceiling hook.....	17	02984	Bucket hook.....	28
01908	Wall and ceiling hook.....	18	02985	Knurled hook.....	29
01910	Clothes hook.....	21	02986	Boot rack.....	29
01911	Storage system with coaxis profile, wide.....	22	02987	Boot rack.....	29
01912	Storage system with coaxis profile, wide.....	22	02988	Surfboard holder.....	29
01914	Ski holder with coaxis profile, wide.....	23	02990	Universal bicycle holder, rubberized.....	32
01916	Flower box holder with special support.....	19	02991	Screw-in wall hook, rubber coated.....	30
01917	Flower box holder.....	19	02992	Screw-in ceiling hook, rubber coated.....	30
01919	Support for wheels, assembly set.....	20	02993	Bicycle screw-in hook, rubber coated.....	31
01926	Bicycle stand rigid.....	33	02994	Tools screw-in hook, rubber coated.....	30
01927	Bicycle stand, rigid, rubberized.....	33	02995	Bicycle lift.....	35
01929	Storage system.....	18	03707	coaxis profile, narrow.....	12
01959	Bike hook, rubberized.....	32	03708	coaxis profile, narrow.....	12
01990	Clothes hook.....	21	03730	coaxis cover strip.....	12
02800	Fixing panel.....	41	03757	coaxis wall fastening set.....	13
02801	Fixing rail.....	41	03759	coaxis hook assembling set.....	13
02802	Fixing rail.....	41	03769	coaxis end cap, narrow.....	14
02803	Covering profile.....	41	03773	coaxis suspension plate.....	13
02804	Hanging bar.....	42	03830	coaxis hook with anti-swivel protection.....	15
02805	Hanging rod.....	42	03831	coaxis hook with anti-swivel protection.....	15
02806	Hanging rod.....	42	07200	Steel tube.....	38
02807	Support profile for cross connection profile.....	42	07205	Steel tube.....	38
02808	Cross connection profile.....	43	07231	Steel tube.....	39
02890	End support set, injection moulded.....	37	07232	Steel tube.....	39
02891	Centre support, injection moulded.....	37	31125	Shelving bracket, heavy casting quality.....	36
02892	Socket with tube securing screw, injection moulded.....	38	31150	Shelving bracket, heavy casting quality.....	36
02893	Wall socket set, steel.....	40	31175	Shelving bracket, heavy casting quality.....	36
02894	Cranked end bracket set, steel.....	38	31200	Shelving bracket, heavy casting quality.....	36
02895	End support set, injection moulded.....	39	31250	Shelving bracket, heavy casting quality.....	36
02896	Centre support, injection moulded.....	40	31300	Shelving bracket, heavy casting quality.....	36
02897	Socket with tube securing screw, injection moulded.....	39	31350	Shelving bracket, heavy casting quality.....	36
02898	Wall socket set, steel.....	37	31400	Shelving bracket, heavy casting quality.....	36
02903	Wall hook, rubberized.....	16	31450	Shelving bracket, heavy casting quality.....	36
02904	Wall hook, rubberized.....	16	31500	Shelving bracket, heavy casting quality.....	36
02906	Wall and ceiling hook, rubberized.....	17	51919	Support for wheels, assembly set.....	20
02907	Wall and ceiling hook, rubberized.....	17	92033	Plant trolley.....	43
02908	Wall and ceiling hook, rubberized.....	18			
02909	Wall and ceiling bicycle hook, rubberized.....	32			
02913	Wall hook, rubberized.....	16			
02914	Wall hook, rubberized.....	16			
02916	Wall and ceiling hook, rubberized.....	17			
02917	Wall and ceiling hook, rubberized.....	17			
02918	Wall and ceiling hook, rubberized.....	18			
02919	Bicycle stand adjustable.....	33			
02920	Bicycle stand 45° adjustable.....	34			
02921	Bicycle stand rigid triple.....	34			
02922	Bicycle stand adjustable triple.....	34			
02925	Wall-mounted flower box bracket.....	19			
02926	Wall-mounted flower box bracket.....	19			
02930	x-star storage system, wall-mounted.....	22			
02931	x-star storage system, for coaxis rails.....	22			
02932	x-star set, rails with storage system.....	23			
02933	x-star set, rails with storage system.....	23			
02934	x-star set, rails with storage system.....	23			
02935	x-star set, rails with storage system.....	23			
02940	x-star storage system, wall-mounted.....	22			
02941	x-star storage system, for coaxis rails.....	22			
02943	x-star set, rails with storage system.....	23			
02950	Wall hook, steel.....	25			
02952	Wall hook, steel.....	25			
02953	Steel double hook.....	25			
02955	Wall hook, steel.....	25			
02956	Wall hook, steel, rubberized.....	26			
02957	Wall hook, steel, rubberized.....	26			

Storage range Index

Terms and Conditions of Supply and Payment

1. Scope

1.1. These Terms and Conditions of Supply and Payment for Exports apply to all contractual agreements between ourselves and parties placing orders with us which have their registered offices or the branch involved with the contractual agreement outside the territory of the Federal Republic of Germany. That branch which concludes the contractual agreement in its own name shall respectively apply.
1.2. These Terms and Conditions of Supply and Payment for Exports shall not apply if the party placing the order acquires the goods for personal use or use in a family or household and we knew or should have known such upon the conclusion of the agreement.
1.3. If the party placing the order's terms and conditions of purchase differ from these Terms and Conditions of Supply and Payment for Exports, such terms and conditions of purchase shall only apply if such are expressly confirmed in writing by ourselves. Counter-confirmations by a party placing an order citing its own terms and conditions are herewith expressly contested and rejected.
1.4. Our Terms and Conditions of Supply and Payment shall also apply exclusively and without restriction even if we effect supply to the party placing the order without reservation in awareness of contrary or differing terms and conditions of the party placing the order.

2. Conclusion and subject of the agreement

2.1. Any and all of our offers are non-binding.
2.2. Models, illustrations, drawings, colour tones, etc., that are contained in catalogues, brochures and other printed matter may differ slightly from the features of the products to be supplied as a result of printing technology; such differences shall not be deemed to constitute defects.
2.3. Illustrations and drawings relating to our goods in brochures, written advertising material and on price lists as well as the data contained therein, e.g. on material, dimensions or shape, shall only become a legally binding part of the agreement if the agreement expressly makes reference to such. Information on product features shall not be deemed to constitute an assumption of guarantee.
2.4. The party placing an order shall notify us prior to the conclusion of the agreement if the goods to be supplied are supposed to be suited solely for regular use or are to be used under unusual or special conditions or if the goods are to be used in any conditions posing a health, safety or environmental risk or the goods will be subject to increased demands or if use of the goods could be associated with unusual possibilities for damage or unusual amounts of damage which the party placing the order is aware of or should be aware of.

3. Custom-made products

3.1. Custom-made products shall be deemed to designate all models that deviate from the models referenced in the respectively valid catalogue or brochure. This especially applies with regard to colours.
3.2. Orders for custom-made products without exception require written confirmation by both parties in the information on the design, dimensions, etc.
3.3. The party placing the order shall not acquire any rights to tools by virtue of paying remuneration for costs or shares of costs for the creation or acquisition of tools; we shall retain title to tools.
3.4. Requested samples shall only be supplied subject to charge.
3.5. We shall not be liable for defects that emanate from documents submitted to us by the party placing the order with respect to custom-made products.
3.6. If the custom-made product is manufactured based on drawings, models or other information provided by the party placing the order, we shall not be liable for the violation of third-party protective rights. The party placing the order herewith indemnifies us with respect to claims by third parties.

4. Minimum order value and prices

4.1. The minimum order value for initial orders is EUR 150.00 plus taxes and customs duties. The minimum order value for all subsequent orders is EUR 25.00 plus taxes and customs duties.
4.2. Prices do not include possible additional charges such as duties, taxes and other levies and, if nothing to the contrary results from the confirmation of contract and number 5.1 below, apply EXW (Incoterm 2010) from our plant in Wutöschingen not including freight and packaging costs.

5. Freight and packaging costs

5.1. By way of deviation from EXW (Incoterms 2010), consignments having an order value of at least EUR 250.00 not including taxes and customs duties shall be shipped free domicile in Germany and franco frontier to foreign countries.
5.2. The weights and piece numbers determined upon shipment shall apply in the calculation of freight costs.
5.3. Packaging costs shall be charged at the usual rates in this line of business.

6. Delivery and transfer of risk

6.1. EXW (Incoterms 2010) from our plant in Wutöschingen shall apply to delivery and transfer of risk even if we assume the freight costs unless a special delivery clause has been agreed upon.
6.2. If the goods are transported to the party placing the order, such shall be at the risk of the party placing the order. In this case risk shall be transferred to the party placing the order at that point in time at which the first carrier takes on the goods. If the goods are ready for shipment and shipment is delayed for reasons for which we are not responsible, risk shall be transferred to the party placing the order upon receipt of the notice of readiness for shipment.

7. Delivery periods, non-availability of performance and delay

7.1. The delivery periods stated are generally non-binding.
7.2. A bindingly committed delivery period shall commence upon the date on which our confirmation of order is sent, but at the earliest at the point in time at which all

documents and data to be provided by the party placing the order are received by us.
7.3. The delivery period shall be deemed to have been adhered to if the goods leave the plant before the delivery period expires or notification has been provided that the goods are ready for shipment.

7.4. If we are unable to meet binding delivery periods in whole or regarding part of the goods to be delivered, we shall notify the party placing the order without undue delay and at the same time notify the party placing the order about the probable new delivery period. If the good to be delivered is still not available before the expiry of the new delivery period for reasons for which we are not responsible, we shall be entitled to cancel the agreement in whole or in part; we shall repay any counter-performance already rendered by the party placing the order without undue delay.

7.5. In any case a claim to compensation for late delivery on the part of the party placing the order shall be subject to the requirement that the party placing the order has set us a reasonable grace period and we have not effected delivery within this period.

7.5. The legal rights of the party placing the order shall otherwise remain unaffected. We shall only bear liability, however, if we are responsible for the delay and only within the framework of no. 11 below. We shall in particular not be responsible for delivery not being effected to us in due time by our suppliers.

8. Terms and conditions of payment

8.1. The party placing the order shall review all invoices without undue delay after receiving such to make sure that they are correct and complete. Any objections to invoices shall be issued in writing within a period of one month after their receipt. Failure to state objections in due time shall be deemed to constitute approval of the invoice.

8.2. Our invoices shall be due for payment within 10 days with a 2% discount or within 30 days of the respective invoice date net. The date when payment is credited to the account stated

for payment on the invoice shall apply in determining whether payment has been effected in due time by the party placing the order. The party placing the order shall bear all additional costs that arise in connection with the selection of the means of payment.

8.3. If the party placing the order fails to pay the purchase price in due time, we shall be entitled notwithstanding other legal recourse to charge interest on arrears in the amount of 9 percentage points above the respective base interest rate of the European Central Bank. We reserve the right to claim damage going above and beyond this.

8.4. We shall be entitled to transfer our claims emanating from the business relationship with the party placing the order for the purposes of factoring.

8.5. If payment is rendered with a bill of exchange, the party placing the order shall bear the costs of such, in particular discounting and collection charges. No discount shall be granted if payment is effected by bill of exchange.

8.6. Costs of a bill of exchange that has been invoiced shall be due for payment immediately without any deductions.

8.7. Bills of acceptance and bills of exchange shall only be deemed to constitute payment after their redemption.

8.8. Setting off or netting amounts shall only be possible in the case of counter-claims that are based on the same legal relationship, that have been effectively established by a court of law or government authority, or are uncontested or recognised.
8.9. The party placing the order shall only be entitled to exercise a right of retention if its counter-claim is based on the same legal relationship.

8.10. We shall be entitled to credit payments effected by the party placing the order to our debt of said party.

9. Examination and notification of non-conformity obligation

9.1. The party placing the order shall properly examine the goods or have the goods properly examined without undue delay.

9.2. Shipping papers may not be signed (including subject to reservation) before the number of boxes delivered has been compared with the information contained in the shipping papers. Boxes that are missing or damaged must be noted with precise information on such being provided on the shipping papers and be confirmed by the freight carrier driver by means of a clearly identifiable signature.

9.3. Our liability for the goods violating the agreement shall cease to apply without the party placing the order for this reason being able to exonerate itself if the party placing the order fails to notify us about such violation of the agreement in writing within a period of 7 working days (Saturdays shall not be deemed to constitute working days) after it determines such or should have determined such while precisely stating the type of violation of agreement. Written notification of lack of conformity by the party placing the order must have been sent by the party placing the order within the aforementioned period; above and beyond the notice of lack of conformity being sent in due time, such must also actually be received by us.

9.4. If after a notice of lack of conformity is issued by the party placing the order no violation of the agreement can be identified, the party placing the order shall reimburse us for the costs incurred in connection with the inspection of the goods.

9.5. The party placing the order shall at any rate lose the right to claim lack of conformity of the goods if it does not provide notice of such within a period of no more than 12 months after it has actually been handed over the goods unless we have granted a longer period of guarantee to the party placing the order.

10. Goods lacking conformity or exhibiting legal defects

10.1. Goods for which a complaint has been issued shall be properly stored and kept available to us.

10.2. We shall be provided the opportunity to inspect the goods for which a complaint has been issued.

10.3. If it is demonstrated that the goods lack conformity, we shall be entitled even

after the agreed-upon delivery period either to remedy the lack of conformity of the goods by repair or supply a substitute contemporaneously with return of the goods for which a complaint has been issued as we see fit. In the event of remedy by repair or supply of substitute goods, we shall be obligated to bear all of the expenses that are required for this purpose (including transport, road, labour and material costs) if such expenses do not increase because the goods have been sent to a place other than the place of fulfilment of the agreement.

10.4. If the party placing the order sets a reasonable grace period for remedy by repair or supply of substitute goods and repair or supply of substitute goods does not take place within this grace period or if such is refused by us, the party placing the order shall be entitled to reduce the purchase price or declare the agreement avoided in accordance with statutory arrangements. The reduction of the purchase price shall be limited to the damage incurred by the customer.

10.5. Supply of substitute goods or remedy by repair shall not cause the period laid down in no. 9.5 to recommence anew.

11. Liability

11.1. We shall bear unlimited liability for harm to life and limb or health impairment that is due to the wilful or negligent violation of an obligation by ourselves or that is due to a wilful or negligent violation of an obligation by our legal representative or parties we hire to carry out the agreement.

11.2. We shall bear liability based on the principles of German law governing product liability and on the assumption of a guarantee.

11.3. We shall moreover only bear liability in the case of wilful or negligent violation of an essential contractual obligation and only for direct damage that was foreseeable and which typically occurs at the point in time when the agreement was concluded. An essential contractual obligation shall be deemed to be an obligation that makes the proper fulfilment of the agreement concluded with the party placing the order possible in the first place and which the party placing the order trusted in and was able to trust in and the culpable failure to fulfil such jeopardises achievement of the purpose of the agreement.

11.4. Our liability is excluded in all other cases, in particular for indirect damage and subsequent damage (including foregone profit, loss of goodwill, damage due to loss of production and comparable expenses) unless the party placing the order expressly drew our attention to such in accordance with no. 2.4. prior to the conclusion of the agreement.

11.5. If our liability is excluded or limited, this shall also apply to our employees, representatives and parties we hire to carry out the agreement.

12. Reservation of title

12.1. We reserve title to the goods supplied by us if our claim to the purchase price is not secured by some other means (e.g. a letter of credit) until payment of all current and future claims emanating from the purchase agreement and the ongoing business relationship (the claims to be secured) is effected.

12.2. We shall be obligated to release collateral that we are entitled to as we see fit to the extent that the realisable value of the collateral exceeds our claims to be secured by more than 10% if so requested by the party placing the order.

12.2. The party placing the order shall notify us without undue delay in the event of attachment, confiscation or similar and in the event of the goods supplied being damaged and/or lost; any violation of this obligation as well as any other conduct of the buyer in violation of the agreement, in particular failure to pay the purchase price due for payment, shall provide us the right to declare this agreement avoided. The party placing the order shall bear all the costs that have had to be incurred particularly within the framework of a third-party action successfully lifting an attachment and that may have had to be incurred to successfully reacquire the objects supplied if such cannot be collected from third parties.

12.3.

If we have effectively declared the agreement avoided, we shall be entitled to take back the goods subject to reservation of title if we have threatened to take the goods back a reasonable time in advance. The costs incurred as a result of exercise of the right to take back the goods, in particular transport costs, shall be borne by the party placing the order. We shall be entitled to exploit the goods subject to reservation of title and satisfy our claims from the proceeds from such exploitation if we have threatened such exploitation a reasonable time in advance. If the proceeds exceed the unsatisfied claims emanating from the contractual relationship, this surplus amount shall be handed over to the party placing the order.

13. Place of fulfilment, applicable law and legal venue

13.1. The place of fulfilment for delivery and payment shall be our head office (Wutöschingen).

13.2. The Convention of the United Nations on the International Sale of Goods from 11 April 1980 (UN purchasing law/CISG) in the English-language version shall apply to the legal relationship with the party placing the order. Legal issues that are not set out in this Convention or which cannot be decided in accordance with its principles shall be subject to German law.

13.3. The sole legal venue for all disputes arising in connection with the agreement is the courts having jurisdiction over our head office of the company in Wutöschingen. We shall, however, also be entitled to assert claims with courts having jurisdiction over the party placing the order.

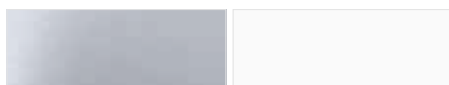
alfer aluminium Gesellschaft mbH

Commercial Register of Freiburg Local Court HRB 620 227 Status: 08/2014

Storage range

Available in a choice of colours

Uncoated and powder-coated aluminium



uncoated

white

Plastic



red

green

black

Steel



galvanized

chromium-plated

The colours shown are for reference purposes only and may differ from the actual colours for display reasons.

