

[www.alfer.com](http://www.alfer.com)

**alfer**<sup>®</sup>  
aluminium

Building-material catalogue

Floor and room profiles

Profiles for parquet, laminate and designer floors

**cabelino**<sup>®</sup> cable duct baseboards



# Building-material catalogue

## Explanations

### Colour guide materials

AGK	Aluminium casting, tumbling polished	MES	Brass, solid or brass, shiny solid
AGP	Aluminium casting, powder-coated	CU	Copper, solid
ALC	<b>alferceram</b> <sup>®</sup> , ceramic powder-coated aluminium	ABS	Plastic, acrylonitrile butadiene styrene
ALCR	Aluminium chrome-plated	EPDM	Plastic, ethylene propylene diene rubber
ALG	Aluminium, vibratory finish	EVA	Plastic, ethylene vinyl acetate
ALK	Aluminium, tumble polished	GUM	Rubber
ALM	Brass-plated aluminium	PA	Plastic, polyamide
ALO	<b>alferoxal</b> <sup>®</sup> , multicolour aluminium, anodized	PC	Plastic, polycarbonate
ALP	Powder-coated aluminium	PE	Plastic, polyethylene
ALU	Uncoated aluminium	PET	Plastic, polyethylene terephthalate
ALX	Anodized aluminium	POM	Plastic, polyoxymethylene
EDL	Stainless steel	PP	Plastic, polypropylene
FER	Hard ferrite	PS	Plastic, polystyrene
GUS	Cast iron	PU	Plastic, polyurethane
SGC	Injection moulded, chrome-plated	PVC	Plastic, polyvinylchloride
STA	Steel or steel, galvanized	TPE	Plastic, thermoplastic elastomers
		EHO	Real wood

### Colour coding system application

	<b>clipstech</b> <sup>®</sup> -plus		self-adhesive
	<b>clipstech</b> <sup>®</sup> and <b>clipstech</b> <sup>®</sup> -mini		to screw
	<b>clipstech</b> <sup>®</sup> -vario		

### Packaging

**loose:** The item is not packed.  
**shrink-wrapped:** The loose item is shrink-wrapped in transparent PE foil.  
**shrink-wrapped SS:** The shrink-wrapped item comes with a SS Euro-perforation allowing it to be suspended.  
**SS bag:** The item is packed in a transparent LDPE bag (Euro-perforation).  
**SS polybag:** The article comes in a PE tube.  
**SS box:** the item is packed in a transparent box with Euro-perforation.  
**SS cardboard box:** The item comes in a SS cardboard box.  
**on roll:** The item comes on a roll and can be cut to measure.  
**sealed:** The item is sealed with a transparent PE foil.  
**foil-wrapped, one-sided:** The item is covered on one side with a protective foil.  
**rolled in a box:** The item is packed rolled up in a box.  
**clap-pac:** The item comes in impact-resistant, transparent, PVC snapshut packaging (multi-perforation) and can be re-closed.  
**Min. OU:** The minimum order unit specifies both the minimum order quantity of an item and the order unit.  
 e. g.: Min. OU = 5 pcs.: means that orders must either be for a minimum of 5 pieces of this item, or multiples thereof.  
**PU:** Packaging unit.

### Explanations Brand Names

#### Important Note!

The following trademarks (®), (M. R.) are registered for the **alfer**<sup>®</sup> aluminium Gesellschaft mbH, D-79793 Wutöschingen, (as of: 01.09.2013)

<b>alfer</b> <sup>®</sup>	(EU) (CH)
<b>alferoxal</b> <sup>®</sup>	(B) (D) (F) (I) (L) (NL) (A) (P) (CH)
<b>alferceram</b> <sup>®</sup>	(B) (D) (F) (I) (L) (NL) (A) (P) (CH)
<b>clipstech</b> <sup>®</sup>	(EU) (MEX)
<b>combitech</b> <sup>®</sup>	(EU) (CH) (MEX)
<b>cabelino</b> <sup>®</sup>	(EU) (CH)
<b>logika</b> <sup>®</sup>	(EU)
<b>ferroplatan</b> <sup>®</sup>	(EU)
<b>coaxis</b> <sup>®</sup>	(EU) (USA) (MEX)
<b>x-star</b> <sup>®</sup>	(EU) (USA)
<b>easyrack</b> <sup>®</sup>	(EU)

The use of these rights is permitted only upon expressed authorization by **alfer**<sup>®</sup> aluminium Gesellschaft mbH, D-79793 Wutöschingen.



### **In the heart of Europe**

Nestled between the Upper Rhine and the Southern Black Forest is the Wutachtal Valley. Close to both Switzerland and France, this has been home to many world leading aluminium specialists for decades. Today, it is Europe's largest connected economic area for the production and processing of aluminium. It is therefore unsurprising that the region is also known as the 'Aluminium Valley'. This is also the place where the **alfer** success story began in 1973 in Wutöschingen, Baden-Württemberg. Since then, **alfer** has used this site to develop a whole range of aluminium profiles, primarily for DIY enthusiasts and tradespeople, which set even international standards.

# Building-material catalogue

## Section overview

### Floor and room profiles

chapter 1



- Cover strips
- Edging profiles
- Step edging profiles
- Step edging profiles | Accessories
- Step repair brackets
- Wall covering corner bars
- Door sealing brushes

### Profiles for parquet, laminate and designer floors

chapter 2



- clipstech**<sup>®</sup>-vario and **clipstech**<sup>®</sup> system profiles
- clipstech**<sup>®</sup>-plus system profiles
- clipstech**<sup>®</sup>-mini system profiles
- Standard profiles

### cabelino<sup>®</sup> cable duct baseboards

chapter 3



- Support
- Cable duct baseboards
- Cable ducts
- Accessories
- Soft baseboards and buckling angles

### Explanations

page 2

### alfer<sup>®</sup> makes you mobile

IND-1

### alfer<sup>®</sup> ranges

IND-2–IND-3

### Index | Product names A–Z

IND-4

### Index | Item number summary

IND-5–IND-13

### Terms and Conditions of Supply and Payment

IND-14

### Available in a choice of colours

IND-15

## Building-material catalogue





## Floor and room profiles



# Floor and room profiles

## Range overview

### They have your safety covered

#### Cover strips, edging cover strips and joint cover profiles

Put an end to rough edges, frayed carpet edges and dangerous tripping hazards! Parquet, PVC, tiles, laminate or carpet: no matter the material, the appearance of any floor covering automatically suffers if transitions are executed imperfectly. **alfer**<sup>®</sup> cover strips, edging cover strips and joint cover profiles ensure perfect transitions and an overall uniform appearance in no time.

Different shapes, such as arched or extra-flat, and a large selection of materials and patterns make precise solutions possible for every floor situation and every taste. Put your trust in professional, clean and reliable profile solutions from **alfer**<sup>®</sup>!

Why not also try our self-adhesive profiles for rapid installation and optimum results!

#### Perfection in every detail: Edging profiles

A clean floor installation down to the last nook and cranny does not have to be a fantasy! Drilled and self-adhesive profile solutions from **alfer**<sup>®</sup> make it possible. Achieve absolutely reliable and clean floor cover edgings quickly and easily. Aluminum or plastic edging profiles help you cover up imperfect edges in a professional way ensuring that the overall appearance of your floor does not suffer unnecessarily. Tripping hazards due to different floor heights can be compensated for within seconds with our special level compensator profiles. It doesn't get better than this, nor simpler or faster.

#### Reliable grip and protection: Step edging profiles

**alfer**<sup>®</sup> step edging profiles are extremely robust, highly colourfast and ensure safe footing. Made from plastic or aluminum, they particularly protect textile floor coverings at step edges and cover up imperfect edges in an elegant and decorative way.

Make your stairs safer with **alfer**<sup>®</sup> step edging profiles and protect the extremely strained step edges reliably against excessive abrasion and premature wear. Prevent dangerous tripping hazards and ensure safe footing every step of the way.





## Floor and room profiles

### Range overview




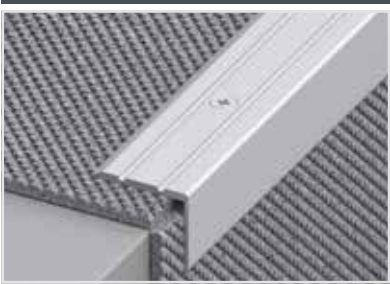
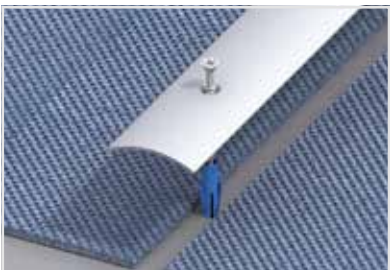
#### Sealing the deal: Door sealing brushes

Put an end to annoying drafts! Even fairly large gaps between door panel and floor covering can be effectively sealed with self-adhesive **alfer**<sup>®</sup> door sealing brushes made from aluminum or plastic. A practical side effect: **alfer**<sup>®</sup> door sealing brushes also prevent small pebbles from getting jammed between the door panel and the floor. They therefore not only protect sensitive floor coverings but also your nerves.



# Floor and room profiles

## Range overview

Cover strips	1.07 – 1.21	
	<ul style="list-style-type: none"> <li>· Cover strip, arched, drilled</li> <li>· Cover strip, arched, drilled – door dimensions</li> <li>· Cover strip, arched, laterally drilled</li> <li>· Cover strip, arched, self-adhesive</li> <li>· Cover strip, arched, self-adhesive – door dimensions</li> <li>· Cover strip, extra flat, drilled</li> <li>· Cover strip, extra flat, self-adhesive</li> <li>· Cover strip, flat, drilled</li> <li>· Cover strip, flat, self-adhesive</li> <li>· Cover strip, flat, self-adhesive</li> <li>· Edging cover strip, extra narrow</li> <li>· Edging cover strip, extra narrow, self-adhesive</li> <li>· ‘High-polish’ cover strip, arched, drilled</li> <li>· ‘High-polish’ cover strip, arched, self-adhesive</li> <li>· Joint cover profile</li> </ul>	<ul style="list-style-type: none"> <li>ALX</li> <li>ALP</li> <li><b>MES</b></li> <li>STA</li> <li>EDL</li> <li>PVC</li> </ul>
		
Edging profiles	1.22 – 1.27	
	<ul style="list-style-type: none"> <li>· Angle edging profile, drilled, with decorative grooves</li> <li>· Edge profile, drilled</li> <li>· Edge profile, self-adhesive</li> <li>· Flat edging profile, drilled, with decorative grooves</li> <li>· Flat edging profile, self-adhesive, with decorative grooves</li> <li>· Level compensator profile, drilled, with decorative grooves</li> <li>· Level compensator profile, self-adhesive</li> <li>· Levelling profile, drilled</li> <li>· Plastic edging profile</li> <li>· Plastic edging profile, self-adhesive</li> <li>· Round edging profile, grooved, drilled</li> </ul>	<ul style="list-style-type: none"> <li>ALX</li> <li>ALP</li> <li>PVC</li> </ul>
Step edging profiles	1.28 – 1.32	
	<ul style="list-style-type: none"> <li>· Insert for step edging profile</li> <li>· Plastic step edging profile</li> <li>· Step edging profile, drilled, with decorative grooves</li> <li>· Step edging profile, for inserts, drilled</li> <li>· Step edging profile, grooved, drilled</li> <li>· Step edging profile, narrow, grooved, drilled</li> <li>· Step edging profile, wide, grooved, drilled</li> </ul>	<ul style="list-style-type: none"> <li>ALX</li> <li>PVC</li> </ul>
Accessories	1.32	
	<ul style="list-style-type: none"> <li>· Screw and dowel</li> </ul>	<ul style="list-style-type: none"> <li>STA</li> </ul>

# Floor and room profiles

## Range overview

### Step repair brackets

1.33



- Step repair bracket, for stone stairs
- Step repair bracket, for wooden stairs

STA

### Wall covering corner bars

1.33



- Wall covering corner bar

PVC

### Door sealing brushes

1.34



- Door sealing brush

ALU

ALX

PVC

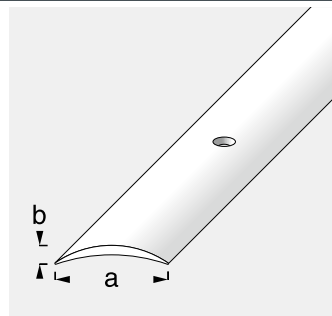


# Floor and room profiles

## Cover strips

### Cover strip, arched, drilled

ALX



Min. OU: 5 pcs.



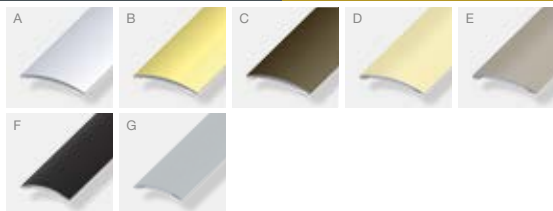
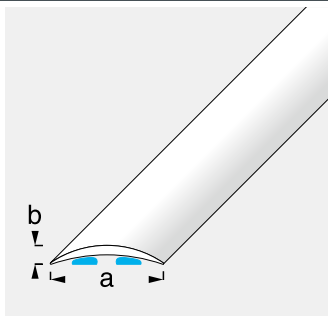
Anodized aluminium, drilled				length: 1.00 m	length: 2.00 m	length: 2.70 m
Colour	Dim. a	Dim. b	Packaging	EAN/Item no.	EAN/Item no.	EAN/Item no.
A silver	20.0 mm	2.5 mm	shrink-wrapped	4001116014192	4001116054198	
A silver	20.0 mm	2.5 mm	shrink-wrapped SS	4001116821196		
A silver	30.0 mm	5.0 mm	shrink-wrapped	4001116014116	4001116054112	4001116835117
A silver	30.0 mm	5.0 mm	shrink-wrapped SS	4001116821110		
A silver	40.0 mm	5.0 mm	shrink-wrapped	4001116014123	4001116054129	4001116835124
A silver	40.0 mm	5.0 mm	shrink-wrapped SS	4001116821127		
A silver	50.0 mm	5.0 mm	shrink-wrapped	4001116014130	4001116014178	
A silver	50.0 mm	5.0 mm	shrink-wrapped SS	4001116821134	4001116054136	
B brass	20.0 mm	2.5 mm	shrink-wrapped	4001116024191	4001116064197	
B brass	20.0 mm	2.5 mm	shrink-wrapped SS	4001116822193		
B brass	30.0 mm	5.0 mm	shrink-wrapped	4001116024115	4001116064111	4001116836114
B brass	30.0 mm	5.0 mm	shrink-wrapped SS	4001116822117		
B brass	40.0 mm	5.0 mm	shrink-wrapped	4001116024122	4001116064128	4001116836121
B brass	40.0 mm	5.0 mm	shrink-wrapped SS	4001116822124		
B brass	50.0 mm	5.0 mm	shrink-wrapped	4001116024139	4001116064135	
B brass	50.0 mm	5.0 mm	shrink-wrapped SS	4001116822131		
C bronze	20.0 mm	2.5 mm	shrink-wrapped	4001116034190	4001116074196	
C bronze	20.0 mm	2.5 mm	shrink-wrapped SS	4001116823190		
C bronze	30.0 mm	5.0 mm	shrink-wrapped	4001116034114	4001116074110	4001116837111
C bronze	30.0 mm	5.0 mm	shrink-wrapped SS	4001116823114		
C bronze	40.0 mm	5.0 mm	shrink-wrapped	4001116034121	4001116074127	4001116837128
C bronze	40.0 mm	5.0 mm	shrink-wrapped SS	4001116823121		
C bronze	50.0 mm	5.0 mm	shrink-wrapped	4001116034138	4001116074134	
C bronze	50.0 mm	5.0 mm	shrink-wrapped SS	4001116823138		
D champagne	30.0 mm	5.0 mm	shrink-wrapped	4001116025112		
D champagne	30.0 mm	5.0 mm	shrink-wrapped SS	4001116824111		
D champagne	40.0 mm	5.0 mm	shrink-wrapped	4001116025129		
E titanium	20.0 mm	2.5 mm	shrink-wrapped	4001116027192	4001116057199	
E titanium	20.0 mm	2.5 mm	shrink-wrapped SS	4001116825194		
E titanium	30.0 mm	5.0 mm	shrink-wrapped	4001116027116	4001116057113	
E titanium	30.0 mm	5.0 mm	shrink-wrapped SS	4001116825118		
E titanium	40.0 mm	5.0 mm	shrink-wrapped	4001116027123		

Building-material catalogue 197052 | 01.2017 | 71708

# Floor and room profiles

## Cover strips

### Cover strip, arched, self-adhesive



ALX

Min. OU: 5 pcs.

· With glue line

Anodized aluminium, self-adhesive				length: 1.00 m	length: 2.00 m
Colour	Dim. a	Dim. b	Packaging	EAN / Item no.	EAN / Item no.
A silver	20.0 mm	2.5 mm	shrink-wrapped	4001116 009402	4001116 009808
A silver	20.0 mm	2.5 mm	shrink-wrapped SS	4001116 828003	
A silver	30.0 mm	5.0 mm	shrink-wrapped	4001116 007002	4001116 008009
A silver	40.0 mm	5.0 mm	shrink-wrapped	4001116 007101	4001116 008108
A silver	80.0 mm	5.0 mm	shrink-wrapped	4001116 009457	
B brass	20.0 mm	2.5 mm	shrink-wrapped	4001116 009419	4001116 009815
B brass	20.0 mm	2.5 mm	shrink-wrapped SS	4001116 828010	
B brass	30.0 mm	5.0 mm	shrink-wrapped	4001116 007019	4001116 008016
B brass	40.0 mm	5.0 mm	shrink-wrapped	4001116 007118	4001116 008115
B brass	80.0 mm	5.0 mm	shrink-wrapped	4001116 009464	
C bronze	20.0 mm	2.5 mm	shrink-wrapped	4001116 009426	4001116 009822
C bronze	20.0 mm	2.5 mm	shrink-wrapped SS	4001116 828027	
C bronze	30.0 mm	5.0 mm	shrink-wrapped	4001116 007026	4001116 008023
C bronze	40.0 mm	5.0 mm	shrink-wrapped	4001116 007125	4001116 008122
C bronze	80.0 mm	5.0 mm	shrink-wrapped	4001116 009471	
D champagne	20.0 mm	2.5 mm	shrink-wrapped	4001116 009433	
D champagne	30.0 mm	5.0 mm	shrink-wrapped	4001116 007088	
D champagne	30.0 mm	5.0 mm	shrink-wrapped SS	4001116 827082	
D champagne	40.0 mm	5.0 mm	shrink-wrapped	4001116 007187	
E titanium	20.0 mm	2.5 mm	shrink-wrapped	4001116 009440	4001116 009846
E titanium	20.0 mm	2.5 mm	shrink-wrapped SS	4001116 828096	
E titanium	30.0 mm	5.0 mm	shrink-wrapped	4001116 007095	4001116 008092
E titanium	30.0 mm	5.0 mm	shrink-wrapped SS	4001116 827099	
E titanium	40.0 mm	5.0 mm	shrink-wrapped	4001116 007194	4001116 008191
E titanium	40.0 mm	5.0 mm	shrink-wrapped SS	4001116 827198	
E titanium	80.0 mm	5.0 mm	shrink-wrapped	4001116 009495	
F brushed black	20.0 mm	2.5 mm	shrink-wrapped	4001116 009310	4001116 009327
G stainless steel visual effect	20.0 mm	2.5 mm	shrink-wrapped	4001116 009365	4001116 009372

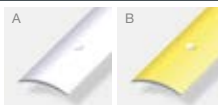
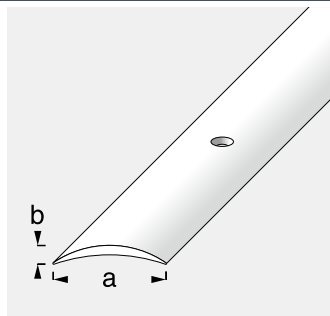
Building-material catalogue | 97052 | 01 2017 | 71708

Floor and room profiles

## Floor and room profiles

### Cover strips

#### 'High-polish' cover strip, arched, drilled



ALX

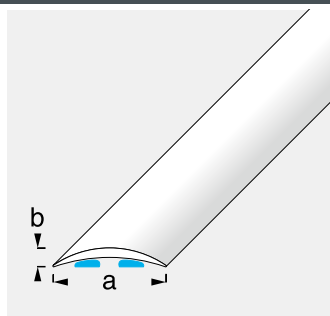


Min. OU: 5 pcs.

#### Anodized aluminium, polished, drilled

Colour	Dim. a	Dim. b	Packaging	length: 1.00 m EAN / Item no.
A polished silver	30.0mm	5.0mm	shrink-wrapped	4001116801204
B brass, glossy	30.0mm	5.0mm	shrink-wrapped	4001116801211

#### 'High-polish' cover strip, arched, self-adhesive



· With glue line

ALX

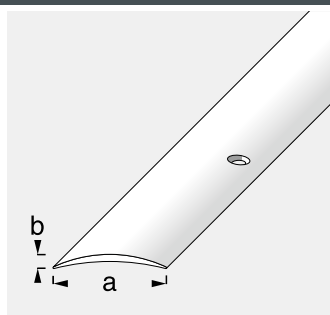
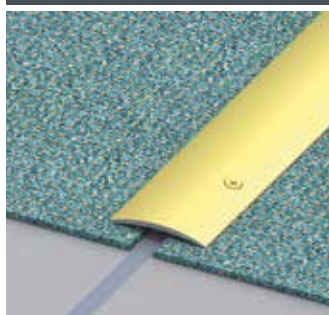


Min. OU: 5 pcs.

#### Anodized aluminium, polished, self-adhesive

Colour	Dim. a	Dim. b	Packaging	length: 1.00 m EAN / Item no.
A polished silver	30.0mm	5.0mm	shrink-wrapped	4001116802201
B brass, glossy	30.0mm	5.0mm	shrink-wrapped	4001116802218

#### Cover strip, arched, laterally drilled



ALX



Min. OU: 5 pcs.

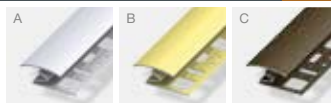
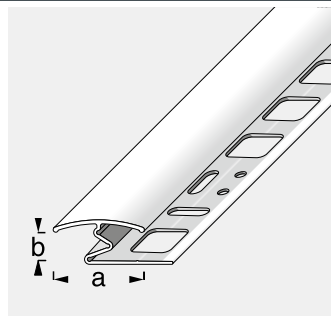
#### Anodized aluminium, drilled

Colour	Dim. a	Dim. b	Packaging	length: 1.00 m EAN / Item no.	length: 2.00 m EAN / Item no.	length: 2.00 m EAN / Item no.
A silver	40.0mm	5.0mm	shrink-wrapped	4001116014154	4001116054150	4001116815157
A silver	40.0mm	5.0mm	shrink-wrapped SS	4001116821158		
A silver	50.0mm	5.0mm	shrink-wrapped	4001116014161	4001116054167	
A silver	50.0mm	5.0mm	shrink-wrapped SS	4001116821165	4001116815164	
B brass	40.0mm	5.0mm	shrink-wrapped	4001116024153	4001116064159	
B brass	40.0mm	5.0mm	shrink-wrapped SS	4001116822155		
B brass	50.0mm	5.0mm	shrink-wrapped	4001116024160	4001116064166	
B brass	50.0mm	5.0mm	shrink-wrapped SS	4001116822162		

# Floor and room profiles

## Cover strips

### Edging cover strip, extra narrow



· alfer<sup>®</sup>-fix universal punching

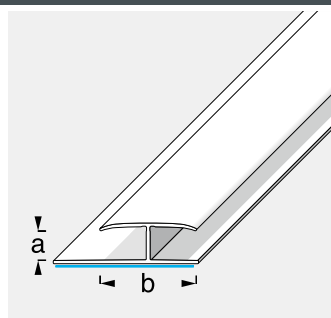
ALX



Min. OU: 5 pcs.

Anodized aluminium				length: 1.00 m	length: 2.00 m
Colour	Dim. a	Dim. b	Packaging	EAN / Item no.	EAN / Item no.
A silver	26.0mm	8.0mm	loose	4001116014147	4001116054143
A silver	26.0mm	8.0mm	shrink-wrapped SS	4001116821141	
B brass	26.0mm	8.0mm	loose	4001116024146	4001116064142
B brass	26.0mm	8.0mm	shrink-wrapped SS	4001116822148	
C bronze	26.0mm	8.0mm	loose	4001116034145	4001116074141
C bronze	26.0mm	8.0mm	shrink-wrapped SS	4001116823145	

### Edging cover strip, extra narrow, self-adhesive



· With adhesive tape

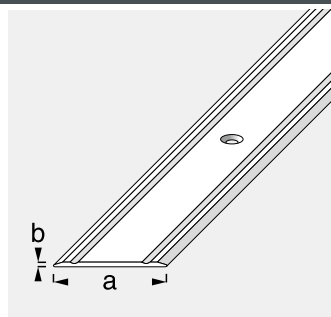
ALX



Min. OU: 5 pcs.

Anodized aluminium, self-adhesive				length: 1.00 m
Colour	Dim. a	Dim. b	Packaging	EAN / Item no.
A silver	9.0mm	30.0mm	shrink-wrapped SS	4001116541209
A silver	14.0mm	30.0mm	shrink-wrapped SS	4001116541254

### Cover strip, extra flat, drilled



ALX



Min. OU: 5 pcs.

Anodized aluminium, drilled				length: 1.00 m	length: 2.00 m
Colour	Dim. a	Dim. b	Packaging	EAN / Item no.	EAN / Item no.
A silver	30.0mm	2.0mm	shrink-wrapped	4001116014406	4001116054402
A silver	30.0mm	2.0mm	shrink-wrapped SS	4001116821400	
B brass	30.0mm	2.0mm	shrink-wrapped	4001116024405	4001116064401
B brass	30.0mm	2.0mm	shrink-wrapped SS	4001116822407	
C bronze	30.0mm	2.0mm	shrink-wrapped	4001116034404	4001116074400
C bronze	30.0mm	2.0mm	shrink-wrapped SS	4001116823404	



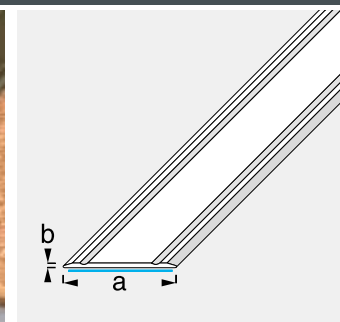
# Floor and room profiles

## Cover strips

Continued from the previous page

Anodized aluminium, drilled				length: 1.00 m	length: 2.00 m
Colour	Dim. a	Dim. b	Packaging	EAN / Item no.	EAN / Item no.
D champagne	30.0 mm	2.0 mm	shrink-wrapped	4001116025402	
E titanium	30.0 mm	2.0 mm	shrink-wrapped	4001116027406	
E titanium	30.0 mm	2.0 mm	shrink-wrapped SS	4001116825408	

### Cover strip, extra flat, self-adhesive



ALX

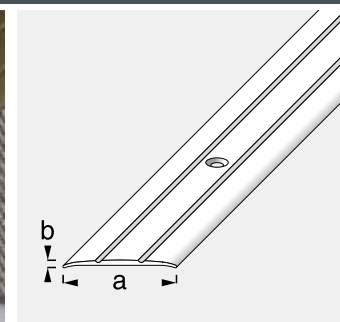
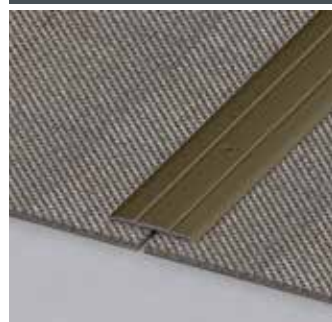


Min. OU: 5 pcs.

· With adhesive tape

Anodized aluminium, self-adhesive				length: 1.00 m	length: 2.00 m
Colour	Dim. a	Dim. b	Packaging	EAN / Item no.	EAN / Item no.
A silver	30.0 mm	2.0 mm	shrink-wrapped	4001116007200	4001116008207
B brass	30.0 mm	2.0 mm	shrink-wrapped	4001116007217	4001116008214
C bronze	30.0 mm	2.0 mm	shrink-wrapped	4001116007224	4001116008221
D champagne	30.0 mm	2.0 mm	shrink-wrapped	4001116007286	
E titanium	30.0 mm	2.0 mm	shrink-wrapped	4001116007293	
E titanium	30.0 mm	2.0 mm	shrink-wrapped SS	4001116827297	

### Cover strip, flat, drilled



ALX



Min. OU: 5 pcs.

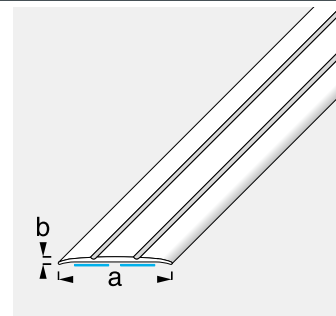
Anodized aluminium, drilled				length: 1.00 m	length: 2.00 m	length: 2.70 m
Colour	Dim. a	Dim. b	Packaging	EAN / Item no.	EAN / Item no.	EAN / Item no.
A silver	37.0 mm	2.5 mm	shrink-wrapped	4001116014444	4001116054440	4001116835445
A silver	37.0 mm	2.5 mm	shrink-wrapped SS	4001116821448		
B brass	37.0 mm	2.5 mm	shrink-wrapped	4001116024443	4001116064449	4001116836442
B brass	37.0 mm	2.5 mm	shrink-wrapped SS	4001116822445		
C bronze	37.0 mm	2.5 mm	shrink-wrapped	4001116034442	4001116074448	4001116837449
C bronze	37.0 mm	2.5 mm	shrink-wrapped SS	4001116823442		
D champagne	37.0 mm	2.5 mm	shrink-wrapped	4001116025440		
D champagne	37.0 mm	2.5 mm	shrink-wrapped SS	4001116824449		
E titanium	37.0 mm	2.5 mm	shrink-wrapped	4001116027444	4001116057441	
E titanium	37.0 mm	2.5 mm	shrink-wrapped SS	4001116825446		



# Floor and room profiles

## Cover strips

### Cover strip, flat, self-adhesive



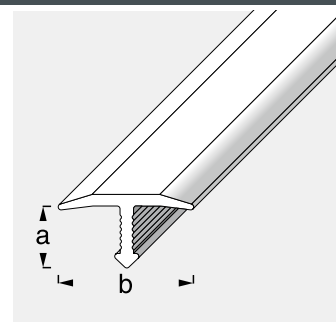
ALX

Min. OU: 5 pcs.

· With glue line

Anodized aluminium, self-adhesive				length: 1.00 m	length: 2.00 m
Colour	Dim. a	Dim. b	Packaging	EAN / Item no.	EAN / Item no.
A silver	37.0mm	2.5 mm	shrink-wrapped	4001116007408	4001116008405
B brass	37.0mm	2.5 mm	shrink-wrapped	4001116007415	4001116008412
C bronze	37.0mm	2.5 mm	shrink-wrapped	4001116007422	4001116008429
D champagne	37.0mm	2.5 mm	shrink-wrapped	4001116007484	
E titanium	37.0mm	2.5 mm	shrink-wrapped	4001116007491	4001116827495

### Joint cover profile



ALX

Min. OU: 5 pcs.

· Press into the fresh silicone

Anodized aluminium				length: 1.00 m	length: 2.50 m
Colour	Dim. a	Dim. b	Packaging	EAN / Item no.	EAN / Item no.
A silver	6.0mm	14.0mm	loose	4001116725128	4001116725173
A silver	6.0mm	25.0mm	loose	4001116725135	4001116725180
B brass	6.0mm	14.0mm	loose	4001116725227	4001116725272
B brass	6.0mm	25.0mm	loose	4001116725234	4001116725289
C bronze	6.0mm	14.0mm	loose	4001116726125	4001116726170
C bronze	6.0mm	25.0mm	loose	4001116726132	4001116726187
D champagne	6.0mm	14.0mm	loose	4001116726323	4001116726378
D champagne	6.0mm	25.0mm	loose	4001116726330	4001116726385
E titanium	6.0mm	14.0mm	loose	4001116726224	4001116726279
E titanium	6.0mm	25.0mm	loose	4001116726231	4001116726286

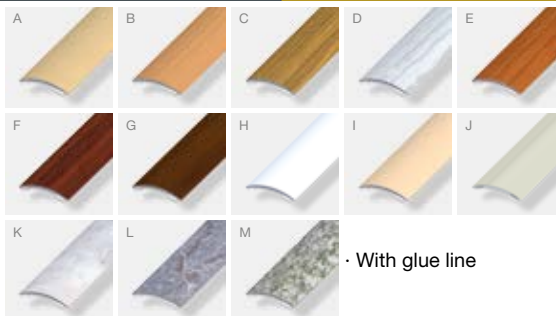
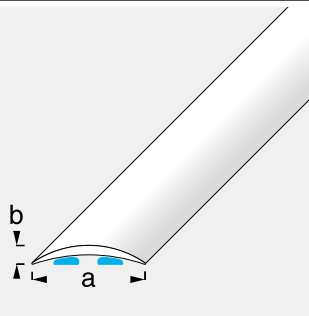
Building-material catalogue | 97052 | 01.2017 | 71708

Floor and room profiles

# Floor and room profiles

## Cover strips

### Cover strip, arched, self-adhesive



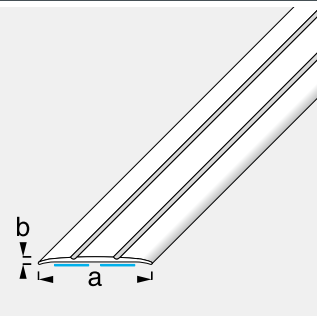
· With glue line

Powder-coated aluminium, self-adhesive				length: 0.90 m	length: 1.00 m	length: 2.00 m
Colour	Dim. a	Dim. b	Packaging	EAN / Item no.	EAN / Item no.	EAN / Item no.
A maple	30.0mm	5.0mm	shrink-wrapped		4001116007606	
A maple	30.0mm	5.0mm	shrink-wrapped SS		4001116827600	
A maple	40.0mm	5.0mm	shrink-wrapped		4001116007705	4001116008702
A maple	40.0mm	5.0mm	shrink-wrapped SS	4001116508066	4001116827709	
B beech	30.0mm	5.0mm	shrink-wrapped		4001116007613	4001116008610
B beech	30.0mm	5.0mm	shrink-wrapped SS		4001116827617	
B beech	40.0mm	5.0mm	shrink-wrapped		4001116007712	4001116008719
B beech	40.0mm	5.0mm	shrink-wrapped SS	4001116508059	4001116827716	
C oak	30.0mm	5.0mm	shrink-wrapped		4001116007620	
C oak	30.0mm	5.0mm	shrink-wrapped SS		4001116827624	
C oak	40.0mm	5.0mm	shrink-wrapped		4001116007729	4001116008726
C oak	40.0mm	5.0mm	shrink-wrapped SS		4001116827723	
D ash white	30.0mm	5.0mm	shrink-wrapped		4001116007699	4001116008696
D ash white	40.0mm	5.0mm	shrink-wrapped		4001116007798	4001116008795
E cherry	30.0mm	5.0mm	shrink-wrapped		4001116007675	
E cherry	30.0mm	5.0mm	shrink-wrapped SS		4001116827679	
E cherry	40.0mm	5.0mm	shrink-wrapped		4001116007774	
E cherry	40.0mm	5.0mm	shrink-wrapped SS		4001116827778	
F mahogany	30.0mm	5.0mm	shrink-wrapped		4001116007637	
F mahogany	30.0mm	5.0mm	shrink-wrapped SS		4001116827631	
F mahogany	40.0mm	5.0mm	shrink-wrapped		4001116007736	
F mahogany	40.0mm	5.0mm	shrink-wrapped SS		4001116827730	
G walnut	30.0mm	5.0mm	shrink-wrapped		4001116007682	4001116008689
G walnut	30.0mm	5.0mm	shrink-wrapped SS		4001116827686	
G walnut	40.0mm	5.0mm	shrink-wrapped		4001116007781	4001116008788
G walnut	40.0mm	5.0mm	shrink-wrapped SS		4001116827785	
H white	30.0mm	5.0mm	shrink-wrapped		4001116007033	
I bahama beige	30.0mm	5.0mm	shrink-wrapped		4001116007040	
J manhattan grey	30.0mm	5.0mm	shrink-wrapped		4001116007057	
K marbled white	30.0mm	5.0mm	shrink-wrapped		4001116007651	
K marbled white	30.0mm	5.0mm	shrink-wrapped SS		4001116827655	
K marbled white	40.0mm	5.0mm	shrink-wrapped		4001116007743	
K marbled white	40.0mm	5.0mm	shrink-wrapped SS		4001116827747	
L marbled grey	30.0mm	5.0mm	shrink-wrapped SS		4001116827662	
M granite	30.0mm	5.0mm	shrink-wrapped		4001116007644	
M granite	30.0mm	5.0mm	shrink-wrapped SS		4001116827648	

# Floor and room profiles

## Cover strips

### Cover strip, flat, self-adhesive

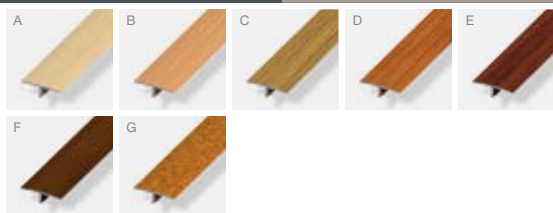
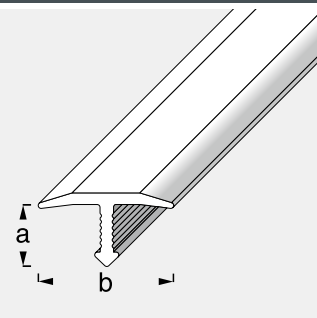


· With glue line



Powder-coated aluminium, self-adhesive				length: 0.90 m	length: 1.00 m
Colour	Dim. a	Dim. b	Packaging	EAN / Item no.	EAN / Item no.
A maple	37.0 mm	2.5 mm	shrink-wrapped		400111600780 4
A maple	37.0 mm	2.5 mm	shrink-wrapped SS	4001116 50804 2	400111682780 8
B beech	37.0 mm	2.5 mm	shrink-wrapped		400111600781 1
B beech	37.0 mm	2.5 mm	shrink-wrapped SS	4001116 50803 5	400111682781 5
C oak	37.0 mm	2.5 mm	shrink-wrapped		400111600782 8
C oak	37.0 mm	2.5 mm	shrink-wrapped SS		400111682782 2
D cherry	37.0 mm	2.5 mm	shrink-wrapped		400111600787 3
D cherry	37.0 mm	2.5 mm	shrink-wrapped SS		400111682787 7
E mahogany	37.0 mm	2.5 mm	shrink-wrapped		400111600783 5
E mahogany	37.0 mm	2.5 mm	shrink-wrapped SS		400111682783 9
F walnut	37.0 mm	2.5 mm	shrink-wrapped		400111600788 0
F walnut	37.0 mm	2.5 mm	shrink-wrapped SS		400111682788 4
G marbled white	37.0 mm	2.5 mm	shrink-wrapped		400111600785 9
G marbled white	37.0 mm	2.5 mm	shrink-wrapped SS		400111682785 3
H marbled grey	37.0 mm	2.5 mm	shrink-wrapped		400111600786 6
H marbled grey	37.0 mm	2.5 mm	shrink-wrapped SS		400111682786 0
I granite	37.0 mm	2.5 mm	shrink-wrapped		400111600784 2
I granite	37.0 mm	2.5 mm	shrink-wrapped SS		400111682784 6

### Joint cover profile



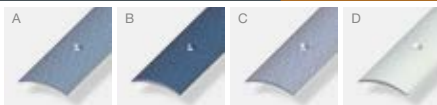
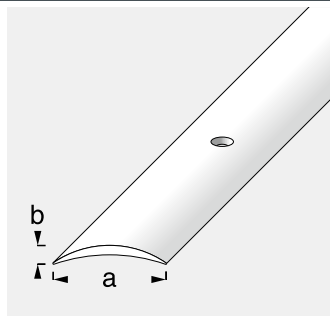
Powder-coated aluminium				length: 1.00 m
Colour	Dim. a	Dim. b	Packaging	EAN / Item no.
A maple	6.0 mm	25.0 mm	loose	400111672643 9
B beech	6.0 mm	25.0 mm	loose	400111672653 8
C oak	6.0 mm	25.0 mm	loose	400111672663 7
D cherry	6.0 mm	25.0 mm	loose	400111672683 5
E mahogany	6.0 mm	25.0 mm	loose	400111672673 6
F walnut	6.0 mm	25.0 mm	loose	400111672693 4
G cork	6.0 mm	25.0 mm	loose	400111672703 0

# Floor and room profiles

## Cover strips

### Cover strip, arched, drilled

ALP



Min. OU: 5 pcs.

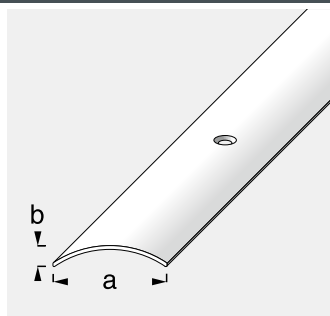
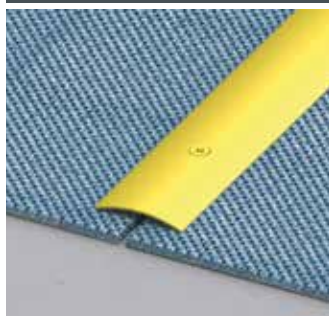
#### Powder-coated aluminium, drilled

length: 1.00 m

Colour	Dim. a	Dim. b	Packaging	EAN / Item no.
A silver grey	30.0 mm	5.0 mm	shrink-wrapped	4001116801112
B blue	30.0 mm	5.0 mm	shrink-wrapped	4001116801136
C light blue	30.0 mm	5.0 mm	shrink-wrapped	4001116801129
D antique white	30.0 mm	5.0 mm	shrink-wrapped	4001116801105

### Cover strip, arched, drilled

MES



Min. OU: 5 pcs.

#### Brassed iron, drilled

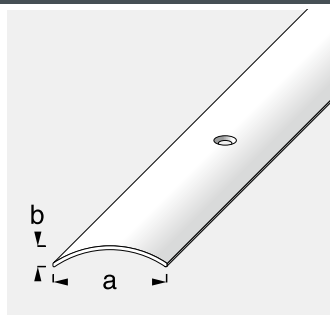
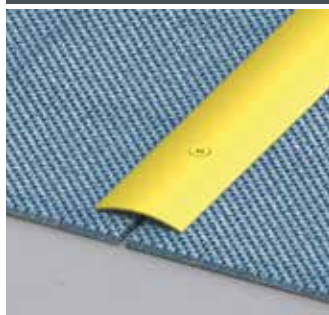
length: 1.00 m

length: 2.00 m

Colour	Dim. a	Dim. b	Packaging	EAN / Item no.	EAN / Item no.
A brassed iron	28.0 mm	3.5 mm	loose	4001116202056	
A brassed iron	28.0 mm	3.5 mm	shrink-wrapped	4001116813955	4001116817953
A brassed iron	38.0 mm	6.0 mm	loose	4001116202063	
A brassed iron	38.0 mm	6.0 mm	shrink-wrapped	4001116813962	4001116817960

### Cover strip, arched, drilled

MES



Min. OU: 5 pcs.

#### Solid brass, drilled

length: 1.00 m

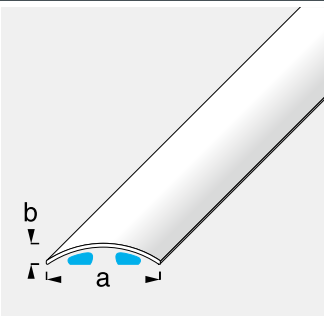
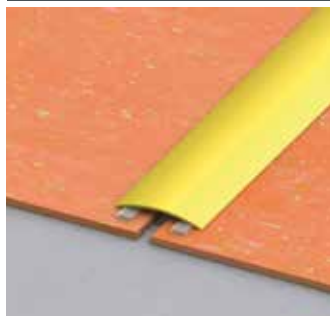
length: 2.00 m

Colour	Dim. a	Dim. b	Packaging	EAN / Item no.	EAN / Item no.
A brass	30.0 mm	3.0 mm	loose	4001116202018	4001116242014
A brass	30.0 mm	3.0 mm	shrink-wrapped	4001116813917	4001116817915
A brass	30.0 mm	3.0 mm	shrink-wrapped SS	4001116823916	
A brass	37.0 mm	4.0 mm	loose	4001116202025	4001116242021
A brass	37.0 mm	4.0 mm	shrink-wrapped	4001116813924	4001116817922
A brass	37.0 mm	4.0 mm	shrink-wrapped SS	4001116823923	

## Floor and room profiles

### Cover strips

#### Cover strip, arched, self-adhesive



· With glue line

MES

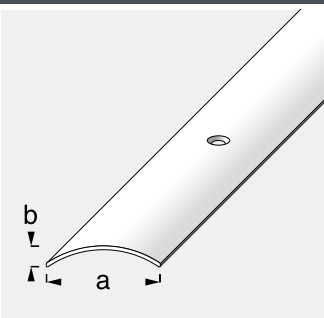
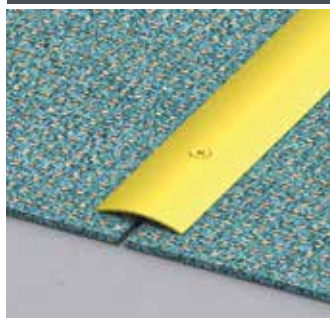


Min. OU: 5 pcs.

#### Solid brass, self-adhesive

Colour	Dim. a	Dim. b	Packaging	length: 1.00 m	length: 2.00 m
				EAN / Item no.	EAN / Item no.
A brass	30.0mm	3.0 mm	shrink-wrapped	4001116009006	4001116009013
A brass	38.0mm	6.0 mm	shrink-wrapped	4001116009051	4001116009068

#### Cover strip, arched, drilled – door dimensions



MES

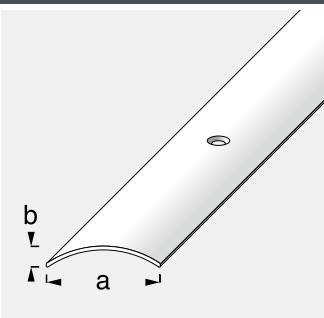
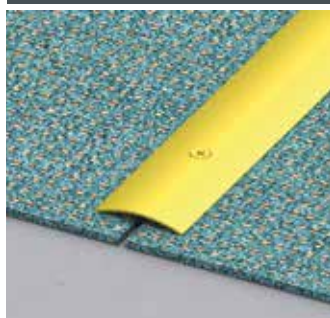


Min. OU: 5 pcs.

#### Solid brass, drilled

Colour	Length	Dim. a	Dim. b	Packaging	EAN / Item no.
A brass	0.73 m	30.0mm	3.0 mm	shrink-wrapped	4001116352812

#### Cover strip, arched, drilled – door dimensions



MES



Min. OU: 5 pcs.

#### Brassed iron, drilled

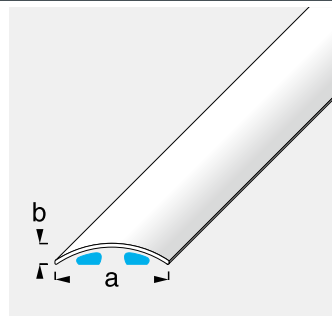
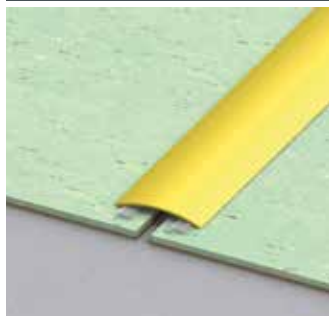
Colour	Length	Dim. a	Dim. b	Packaging	EAN / Item no.
A brassed iron	0.73 m	28.0mm	3.5 mm	shrink-wrapped	4001116352850
A brassed iron	0.73 m	38.0mm	6.0 mm	shrink-wrapped	4001116352867
A brassed iron	0.83 m	28.0mm	3.5 mm	shrink-wrapped	4001116353352
A brassed iron	0.83 m	38.0mm	6.0 mm	shrink-wrapped	4001116353369
A brassed iron	0.93 m	28.0mm	3.5 mm	shrink-wrapped	4001116353857
A brassed iron	0.93 m	38.0mm	6.0 mm	shrink-wrapped	4001116353864
A brassed iron	1.66 m	28.0mm	3.5 mm	shrink-wrapped	4001116354359
A brassed iron	1.66 m	38.0mm	6.0 mm	shrink-wrapped	4001116354366

# Floor and room profiles

## Cover strips

### Cover strip, arched, self-adhesive – door dimensions

MES



· With glue line



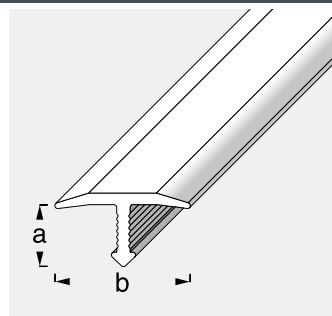
Min. OU: 5 pcs.

#### Brassed iron, self-adhesive

Colour	Length	Dim. a	Dim. b	Packaging	EAN / Item no.
A brassed iron	0.73m	28.0mm	3.5mm	shrink-wrapped	4001116 35275 1
A brassed iron	0.83m	28.0mm	3.5mm	shrink-wrapped	4001116 35325 3
A brassed iron	0.93m	28.0mm	3.5mm	shrink-wrapped	4001116 35375 8
A brassed iron	1.66m	28.0mm	3.5mm	shrink-wrapped	4001116 35455 7

### Joint cover profile

MES



· Press into the fresh silicone



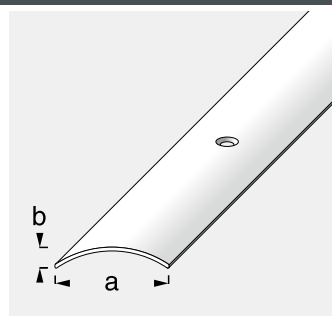
Min. OU: 5 pcs.

#### Solid brass

Colour	Dim. a	Dim. b	Packaging	length: 1.00 m EAN / Item no.	length: 2.50 m EAN / Item no.
A brass	6.0mm	14.0mm	loose	4001116 72532 6	4001116 72537 1
A brass	6.0mm	25.0mm	loose	4001116 72533 3	4001116 72538 8

### Cover strip, arched, drilled – door dimensions

STA



Min. OU: 5 pcs.

#### ferroplatan<sup>®</sup>, steel, drilled

Colour	Length	Dim. a	Dim. b	Packaging	EAN / Item no.
A wood decor, light	0.73 m	30.0mm	3.0mm	shrink-wrapped	4001116 35290 4
A wood decor, light	0.83 m	30.0mm	3.0mm	shrink-wrapped	4001116 35340 6
A wood decor, light	0.93 m	30.0mm	3.0mm	shrink-wrapped	4001116 35390 1
A wood decor, light	0.93 m	40.0mm	5.0mm	shrink-wrapped	4001116 35394 9
A wood decor, light	1.66 m	30.0mm	3.0mm	shrink-wrapped	4001116 35440 3
B wood decor, dark	0.73 m	30.0mm	3.0mm	shrink-wrapped	4001116 35291 1
B wood decor, dark	0.83 m	30.0mm	3.0mm	shrink-wrapped	4001116 35341 3
B wood decor, dark	0.93 m	30.0mm	3.0mm	shrink-wrapped	4001116 35391 8

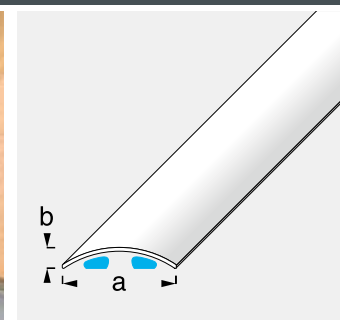
# Floor and room profiles

## Cover strips

Continued from the previous page

<b>ferroplatan<sup>®</sup>, steel, drilled</b>					
Colour	Length	Dim. a	Dim. b	Packaging	EAN / Item no.
B wood decor, dark	0.93 m	40.0 mm	5.0 mm	shrink-wrapped	400111635395 6
B wood decor, dark	1.66 m	30.0 mm	3.0 mm	shrink-wrapped	400111635441 0

### Cover strip, arched, self-adhesive – door dimensions



<b>ferroplatan<sup>®</sup>, steel, self-adhesive</b>					
Colour	Length	Dim. a	Dim. b	Packaging	EAN / Item no.
A wood decor, light	0.73 m	30.0 mm	3.0 mm	shrink-wrapped	400111635292 8
A wood decor, light	0.73 m	40.0 mm	5.0 mm	shrink-wrapped	400111635296 6
A wood decor, light	0.83 m	30.0 mm	3.0 mm	shrink-wrapped	400111635342 0
A wood decor, light	0.83 m	40.0 mm	5.0 mm	shrink-wrapped	400111635346 8
A wood decor, light	0.93 m	30.0 mm	3.0 mm	shrink-wrapped	400111635392 5
A wood decor, light	0.93 m	40.0 mm	5.0 mm	shrink-wrapped	400111635396 3
A wood decor, light	1.66 m	30.0 mm	3.0 mm	shrink-wrapped	400111635442 7
B wood decor, dark	0.73 m	30.0 mm	3.0 mm	shrink-wrapped	400111635293 5
B wood decor, dark	0.73 m	40.0 mm	5.0 mm	shrink-wrapped	400111635297 3
B wood decor, dark	0.83 m	30.0 mm	3.0 mm	shrink-wrapped	400111635343 7
B wood decor, dark	0.83 m	40.0 mm	5.0 mm	shrink-wrapped	400111635347 5
B wood decor, dark	0.93 m	30.0 mm	3.0 mm	shrink-wrapped	400111635393 2
B wood decor, dark	0.93 m	40.0 mm	5.0 mm	shrink-wrapped	400111635397 0

### Cover strip, arched, drilled

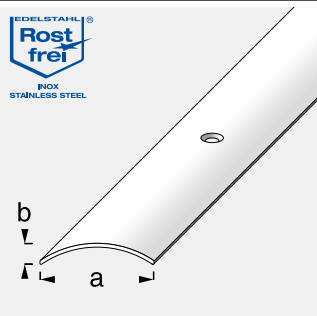


<b>Stainless steel, drilled</b>				length: 1.00 m	length: 2.00 m
Colour	Dim. a	Dim. b	Packaging	EAN / Item no.	EAN / Item no.
A stainless steel	30.0 mm	4.0 mm	loose	4001116 20203 2	4001116 24203 8
A stainless steel	30.0 mm	4.0 mm	shrink-wrapped	4001116 81393 1	4001116 81793 9
A stainless steel	30.0 mm	4.0 mm	shrink-wrapped SS	4001116 82393 0	
A stainless steel	40.0 mm	5.0 mm	loose	4001116 20204 9	4001116 24204 5
A stainless steel	40.0 mm	5.0 mm	shrink-wrapped	4001116 81394 8	4001116 81794 6
A stainless steel	40.0 mm	5.0 mm	shrink-wrapped SS	4001116 82394 7	

# Floor and room profiles

## Cover strips

### Cover strip, arched, drilled – door dimensions



EDL

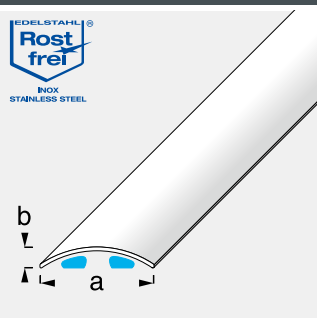
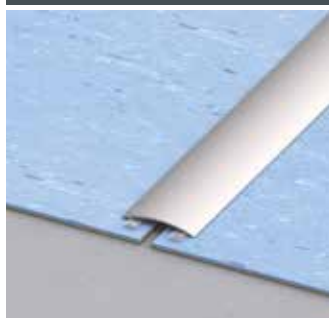


Min. OU: 5 pcs.

#### Stainless steel, drilled

Colour	Length	Dim. a	Dim. b	Packaging	EAN / Item no.
A stainless steel	0.73 m	30.0 mm	4.0 mm	shrink-wrapped	4001116 352836
A stainless steel	0.73 m	40.0 mm	5.0 mm	shrink-wrapped	4001116 352843
A stainless steel	0.83 m	30.0 mm	4.0 mm	shrink-wrapped	4001116 353338
A stainless steel	0.83 m	40.0 mm	5.0 mm	shrink-wrapped	4001116 353345
A stainless steel	0.93 m	30.0 mm	4.0 mm	shrink-wrapped	4001116 353833
A stainless steel	0.93 m	40.0 mm	5.0 mm	shrink-wrapped	4001116 353840
A stainless steel	1.66 m	30.0 mm	4.0 mm	shrink-wrapped	4001116 354335
A stainless steel	1.66 m	40.0 mm	5.0 mm	shrink-wrapped	4001116 354342

### Cover strip, arched, self-adhesive



· With glue line

EDL

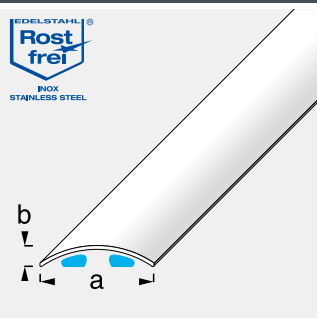
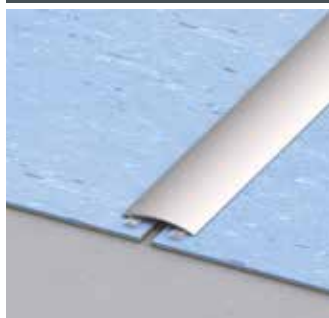


Min. OU: 5 pcs.

#### Stainless steel, self-adhesive

Colour	Dim. a	Dim. b	Packaging	length: 1.00 m	length: 2.00 m
				EAN / Item no.	EAN / Item no.
A stainless steel	30.0 mm	4.0 mm	shrink-wrapped	4001116 009105	4001116 009112
A stainless steel	40.0 mm	5.0 mm	shrink-wrapped	4001116 009150	4001116 009167

### Cover strip, arched, self-adhesive – door dimensions



· With glue line

EDL



Min. OU: 5 pcs.

#### Stainless steel, self-adhesive

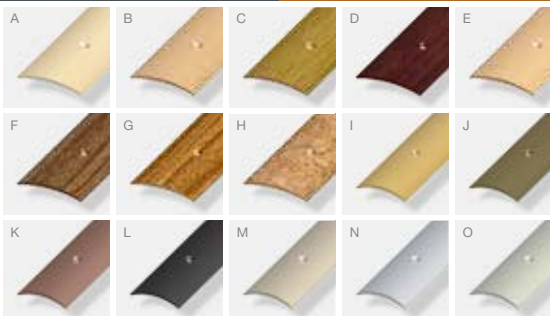
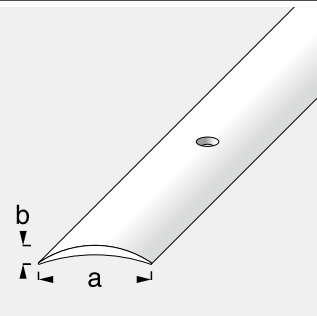
Colour	Length	Dim. a	Dim. b	Packaging	EAN / Item no.
A stainless steel	0.73 m	30.0 mm	4.0 mm	shrink-wrapped	4001116 352737
A stainless steel	0.83 m	30.0 mm	4.0 mm	shrink-wrapped	4001116 353239
A stainless steel	0.93 m	30.0 mm	4.0 mm	shrink-wrapped	4001116 353734
A stainless steel	1.66 m	30.0 mm	4.0 mm	shrink-wrapped	4001116 354533



# Floor and room profiles

## Cover strips

### Cover strip, arched, drilled



Plastic (hard PVC), drilled					length: 1.00 m
Colour	Dim. a	Dim. b	Packaging	EAN/Item no.	
A maple	30.0mm	5.0mm	loose	4001116110412	
A maple	40.0mm	5.0mm	loose	4001116110511	
B beech	30.0mm	5.0mm	loose	4001116110405	
B beech	40.0mm	5.0mm	loose	4001116110504	
C oak	30.0mm	5.0mm	loose	4001116110429	
C oak	40.0mm	5.0mm	loose	4001116110528	
D mahagony	30.0mm	5.0mm	loose	4001116110474	
E light morello cherry	30.0mm	5.0mm	loose	4001116110450	
E light morello cherry	40.0mm	5.0mm	loose	4001116110559	
F walnut	30.0mm	5.0mm	loose	4001116110443	
F walnut	40.0mm	5.0mm	loose	4001116110542	
G nut gold	30.0mm	5.0mm	loose	4001116110467	
G nut gold	40.0mm	5.0mm	loose	4001116110566	
H cork	30.0mm	5.0mm	loose	4001116110436	
H cork	40.0mm	5.0mm	loose	4001116110535	
I brass	30.0mm	5.0mm	loose	4001116110023	
I brass	30.0mm	5.0mm	shrink-wrapped SS	4001116500022	
J bronze	30.0mm	5.0mm	loose	4001116110030	
J bronze	30.0mm	5.0mm	shrink-wrapped SS	4001116500039	
K brown	30.0mm	5.0mm	loose	4001116110047	
K brown	30.0mm	5.0mm	shrink-wrapped SS	4001116500046	
L black	30.0mm	5.0mm	loose	4001116110016	
L black	30.0mm	5.0mm	shrink-wrapped SS	4001116500015	
M brown-beige	30.0mm	5.0mm	loose	4001116110054	
M brown-beige	30.0mm	5.0mm	shrink-wrapped SS	4001116500053	
N grey	30.0mm	5.0mm	loose	4001116110078	
N grey	30.0mm	5.0mm	shrink-wrapped SS	4001116500077	
O grey-beige	30.0mm	5.0mm	loose	4001116110061	
O grey-beige	30.0mm	5.0mm	shrink-wrapped SS	4001116500060	

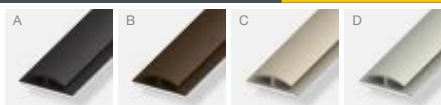
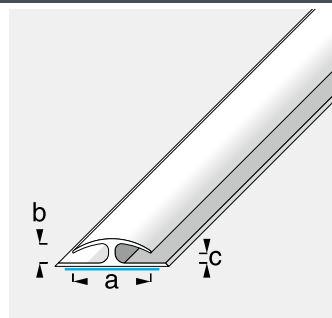
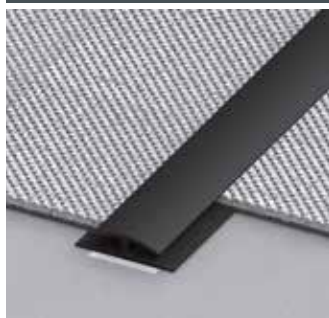
Building-material catalogue | 97052 | 01.2017 | 71708

Floor and room profiles

## Floor and room profiles

### Cover strips

#### Edging cover strip, extra narrow, self-adhesive



PVC



Min. OU: 5 pcs.

· With adhesive tape

#### Plastic (soft PVC), self-adhesive

length: 1.07 m

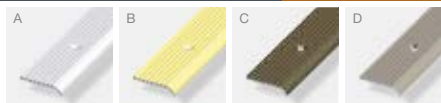
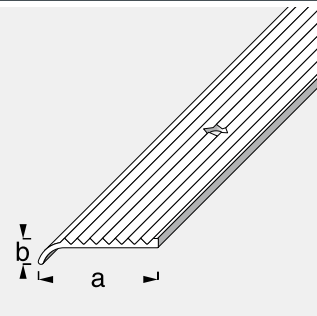
Colour	Dim. a	Dim. b	Dim. c	Packaging	EAN/Item no.
A black	24.0 mm	6.0 mm	3.0 mm	shrink-wrapped SS	4001116 500312
B terra brown	24.0 mm	6.0 mm	3.0 mm	shrink-wrapped SS	4001116 500343
C brown-beige	24.0 mm	6.0 mm	3.0 mm	shrink-wrapped SS	4001116 500350
D grey-beige	24.0 mm	6.0 mm	3.0 mm	shrink-wrapped SS	4001116 500367



# Floor and room profiles

## Edging profiles

### Round edging profile, grooved, drilled



ALX

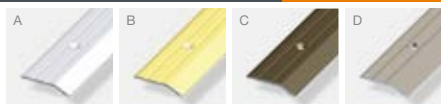
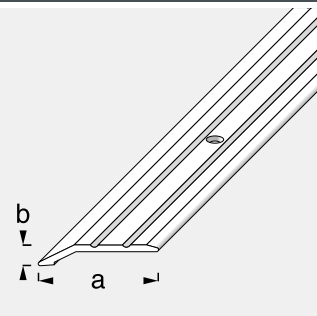


Min. OU: 5 pcs.

#### Anodized aluminium, drilled

Colour	Dim. a	Dim. b	Packaging	length: 1.00 m EAN / Item no.	length: 2.00 m EAN / Item no.
A silver	25.0mm	6.0mm	loose	4001116014086	4001116054082
A silver	25.0mm	6.0mm	shrink-wrapped	4001116811081	4001116815089
A silver	25.0mm	6.0mm	shrink-wrapped SS	4001116821080	
B brass	25.0mm	6.0mm	loose	4001116024085	4001116064081
B brass	25.0mm	6.0mm	shrink-wrapped	4001116812088	4001116816086
B brass	25.0mm	6.0mm	shrink-wrapped SS	4001116822087	
C bronze	25.0mm	6.0mm	loose	4001116034084	4001116074080
C bronze	25.0mm	6.0mm	shrink-wrapped	4001116813085	4001116817083
C bronze	25.0mm	6.0mm	shrink-wrapped SS	4001116823084	
D titanium	25.0mm	6.0mm	loose	4001116027086	

### Flat edging profile, drilled, with decorative grooves



ALX



Min. OU: 5 pcs.

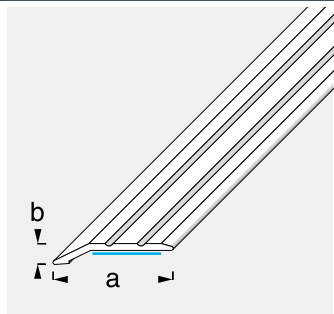
#### Anodized aluminium, drilled

Colour	Dim. a	Dim. b	Packaging	length: 1.00 m EAN / Item no.	length: 2.00 m EAN / Item no.	length: 2.70 m EAN / Item no.
A silver	30.0mm	5.0mm	loose	4001116014413	4001116054419	4001116835414
A silver	30.0mm	5.0mm	shrink-wrapped	4001116811418	4001116815416	
A silver	30.0mm	5.0mm	shrink-wrapped SS	4001116821417		
B brass	30.0mm	5.0mm	loose	4001116024412	4001116064418	4001116836411
B brass	30.0mm	5.0mm	shrink-wrapped	4001116812415	4001116816413	
B brass	30.0mm	5.0mm	shrink-wrapped SS	4001116822414		
C bronze	30.0mm	5.0mm	loose	4001116034411	4001116074417	4001116837418
C bronze	30.0mm	5.0mm	shrink-wrapped	4001116813412	4001116817410	
C bronze	30.0mm	5.0mm	shrink-wrapped SS	4001116823411		
D titanium	30.0mm	5.0mm	shrink-wrapped		4001116057410	
D titanium	30.0mm	5.0mm	shrink-wrapped SS	4001116825415		

# Floor and room profiles

## Edging profiles

### Flat edging profile, self-adhesive, with decorative grooves



ALX



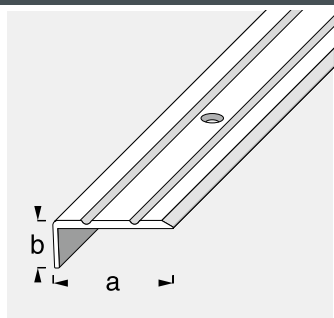
Min. OU: 5 pcs.

· With adhesive tape

#### Anodized aluminium, self-adhesive

Colour	Dim. a	Dim. b	Packaging	length: 1.00 m	length: 2.00 m
				EAN / Item no.	EAN / Item no.
A silver	30.0mm	5.0mm	shrink-wrapped	4001116007309	4001116008306
A silver	30.0mm	5.0mm	shrink-wrapped SS	4001116827303	
B brass	30.0mm	5.0mm	shrink-wrapped	4001116007316	4001116008313
B brass	30.0mm	5.0mm	shrink-wrapped SS	4001116827310	
C bronze	30.0mm	5.0mm	shrink-wrapped	4001116007323	4001116008320
C bronze	30.0mm	5.0mm	shrink-wrapped SS	4001116827327	
D champagne	30.0mm	5.0mm	shrink-wrapped	4001116007385	
E titanium	30.0mm	5.0mm	shrink-wrapped	4001116007392	4001116827396

### Angle edging profile, drilled, with decorative grooves



ALX



Min. OU: 5 pcs.

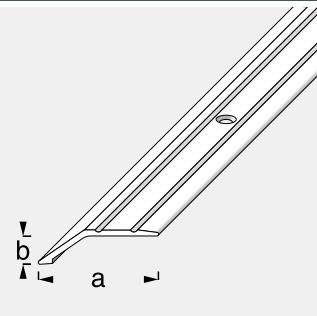
#### Anodized aluminium, drilled

Colour	Dim. a	Dim. b	Packaging	length: 1.00 m	length: 2.00 m	length: 2.70 m
				EAN / Item no.	EAN / Item no.	EAN / Item no.
A silver	25.0mm	10.0mm	loose	4001116014437	4001116054433	4001116835438
A silver	25.0mm	10.0mm	shrink-wrapped	4001116811432	4001116815430	
A silver	25.0mm	10.0mm	shrink-wrapped SS	4001116821431		
B brass	25.0mm	10.0mm	loose	4001116024436	4001116064432	4001116836435
B brass	25.0mm	10.0mm	shrink-wrapped	4001116812439	4001116816437	
B brass	25.0mm	10.0mm	shrink-wrapped SS	4001116822438		
C bronze	25.0mm	10.0mm	loose	4001116034435	4001116074431	4001116837432
C bronze	25.0mm	10.0mm	shrink-wrapped	4001116813436	4001116817434	
C bronze	25.0mm	10.0mm	shrink-wrapped SS	4001116823435		
D champagne	25.0mm	10.0mm	loose	4001116025433		
E titanium	25.0mm	10.0mm	loose	4001116027437	4001116057434	

## Floor and room profiles

### Edging profiles

#### Level compensator profile, drilled, with decorative grooves



ALX



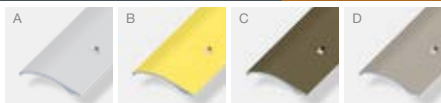
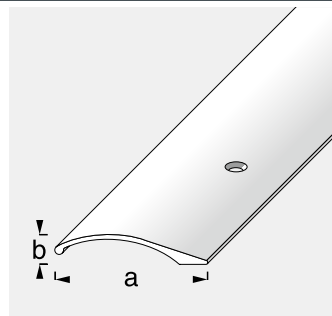
Min. OU: 5 pcs.

Anodized aluminium, drilled				length: 1.00 m	length: 2.00 m
Colour	Dim. a	Dim. b	Packaging	EAN / Item no.	EAN / Item no.
A silver	34.0mm	8.0mm	loose	400111601445 1	400111605445 7
A silver	34.0mm	8.0mm	shrink-wrapped	400111681145 6	400111681545 4
A silver	34.0mm	8.0mm	shrink-wrapped SS	400111682145 5	
A silver	37.0mm	10.0mm	loose	400111601446 8	400111605446 4
A silver	37.0mm	10.0mm	shrink-wrapped	400111681146 3	400111681546 1
A silver	37.0mm	10.0mm	shrink-wrapped SS	400111682146 2	
A silver	41.0mm	15.0mm	loose	400111601447 5	400111605447 1
A silver	41.0mm	15.0mm	shrink-wrapped	400111681147 0	400111681547 8
A silver	41.0mm	15.0mm	shrink-wrapped SS	400111682147 9	
B brass	34.0mm	8.0mm	loose	400111602445 0	400111606445 6
B brass	34.0mm	8.0mm	shrink-wrapped	400111681245 3	400111681645 1
B brass	34.0mm	8.0mm	shrink-wrapped SS	400111682245 2	
B brass	37.0mm	10.0mm	loose	400111602446 7	400111606446 3
B brass	37.0mm	10.0mm	shrink-wrapped	400111681246 0	400111681646 8
B brass	37.0mm	10.0mm	shrink-wrapped SS	400111682246 9	
B brass	41.0mm	15.0mm	loose	400111602447 4	400111606447 0
B brass	41.0mm	15.0mm	shrink-wrapped	400111681247 7	400111681647 5
B brass	41.0mm	15.0mm	shrink-wrapped SS	400111682247 6	
C bronze	34.0mm	8.0mm	shrink-wrapped	400111681345 0	400111681745 8
C bronze	34.0mm	8.0mm	shrink-wrapped SS	400111682345 9	
C bronze	37.0mm	10.0mm	loose	400111603446 6	
C bronze	37.0mm	10.0mm	shrink-wrapped	400111681346 7	400111681746 5
C bronze	37.0mm	10.0mm	shrink-wrapped SS	400111682346 6	
C bronze	41.0mm	15.0mm	loose	400111603447 3	
C bronze	41.0mm	15.0mm	shrink-wrapped	400111681347 4	400111681747 2
C bronze	41.0mm	15.0mm	shrink-wrapped SS	400111682347 3	
C bronze	34.0mm	8.0mm	loose		400111607445 5

# Floor and room profiles

## Edging profiles

### Levelling profile, drilled



ALX

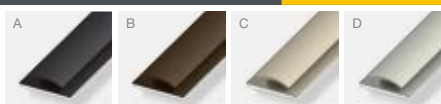
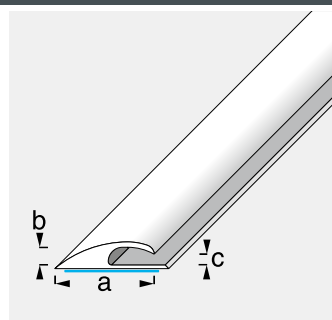


Min. OU: 5 pcs.

#### Anodized aluminium, drilled

Colour	Dim. a	Dim. b	Packaging	length: 1.00 m	length: 2.00 m
				EAN/Item no.	EAN/Item no.
A silver	38.5 mm	7.5 mm	shrink-wrapped	4001116 014185	4001116 054181
B brass	38.5 mm	7.5 mm	shrink-wrapped	4001116 024184	4001116 064180
C bronze	38.5 mm	7.5 mm	shrink-wrapped	4001116 034183	4001116 074189
D titanium	38.5 mm	7.5 mm	shrink-wrapped	4001116 027185	4001116 057182

### Plastic edging profile, self-adhesive



PVC



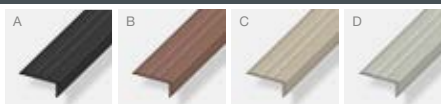
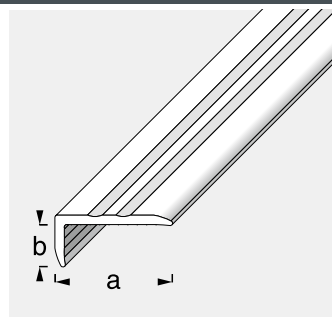
Min. OU: 5 pcs.

· With adhesive tape

#### Plastic (soft PVC), self-adhesive

Colour	Dim. a	Dim. b	Dim. c	Packaging	length: 1.07 m
					EAN/Item no.
A black	28.0 mm	5.0 mm	3.0 mm	shrink-wrapped SS	4001116 500411
B terra brown	28.0 mm	5.0 mm	3.0 mm	shrink-wrapped SS	4001116 500442
C brown-beige	28.0 mm	5.0 mm	3.0 mm	shrink-wrapped SS	4001116 500459
D grey-beige	28.0 mm	5.0 mm	3.0 mm	shrink-wrapped SS	4001116 500466

### Plastic edging profile



PVC



Min. OU: 5 pcs.

#### Plastic (hard PVC)

Colour	Dim. a	Dim. b	Packaging	length: 1.00 m	length: 2.00 m
				EAN/Item no.	EAN/Item no.
A black	25.0 mm	10.0 mm	loose	4001116 110214	4001116 150210
A black	25.0 mm	10.0 mm	shrink-wrapped SS	4001116 500213	
B brown	25.0 mm	10.0 mm	loose	4001116 110245	
B brown	25.0 mm	10.0 mm	shrink-wrapped SS	4001116 500244	
C brown-beige	25.0 mm	10.0 mm	loose	4001116 110252	
C brown-beige	25.0 mm	10.0 mm	shrink-wrapped SS	4001116 500251	



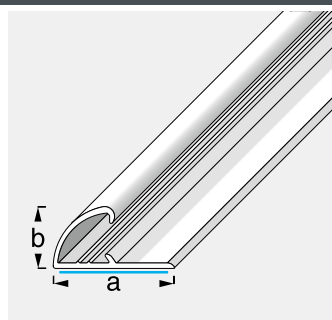
# Floor and room profiles

## Edging profiles

Continued from the previous page

Plastic (hard PVC)				length: 1.00 m	length: 2.00 m
Colour	Dim. a	Dim. b	Packaging	EAN / Item no.	EAN / Item no.
D grey-beige	25.0 mm	10.0 mm	loose	4001116 110269	
D grey-beige	25.0 mm	10.0 mm	shrink-wrapped SS	4001116 500268	

### Edge profile, self-adhesive



· With adhesive tape

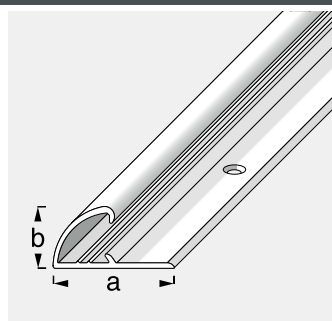
ALX



Min. OU: 5 pcs.

Anodized aluminium, self-adhesive				length: 1.00 m	length: 2.00 m
Colour	Dim. a	Dim. b	Packaging	EAN / Item no.	EAN / Item no.
A silver	26.0 mm	13.0 mm	shrink-wrapped	4001116 007507	4001116 008504
A silver	26.0 mm	13.0 mm	shrink-wrapped SS	4001116 827501	
B brass	26.0 mm	13.0 mm	shrink-wrapped	4001116 007514	4001116 008511
B brass	26.0 mm	13.0 mm	shrink-wrapped SS	4001116 827518	
C bronze	26.0 mm	13.0 mm	shrink-wrapped	4001116 007521	
C bronze	26.0 mm	13.0 mm	shrink-wrapped SS	4001116 827525	

### Edge profile, drilled



ALX



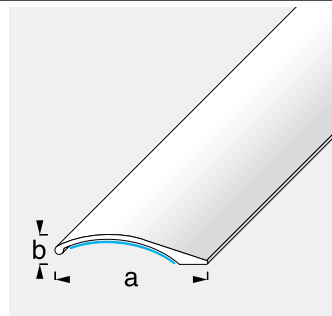
Min. OU: 5 pcs.

Anodized aluminium, drilled				length: 1.00 m	length: 2.00 m
Colour	Dim. a	Dim. b	Packaging	EAN / Item no.	EAN / Item no.
A silver	26.0 mm	13.0 mm	loose	4001116 014505	4001116 054501
A silver	26.0 mm	13.0 mm	shrink-wrapped	4001116 811500	4001116 815508
A silver	26.0 mm	13.0 mm	shrink-wrapped SS	4001116 822509	
B brass	26.0 mm	13.0 mm	loose	4001116 024504	4001116 064500
B brass	26.0 mm	13.0 mm	shrink-wrapped	4001116 812507	4001116 816505
B brass	26.0 mm	13.0 mm	shrink-wrapped SS	4001116 822506	
C bronze	26.0 mm	13.0 mm	loose	4001116 034503	4001116 074509
C bronze	26.0 mm	13.0 mm	shrink-wrapped	4001116 813504	4001116 817502
C bronze	26.0 mm	13.0 mm	shrink-wrapped SS	4001116 823503	

## Floor and room profiles

### Edging profiles

#### Level compensator profile, self-adhesive



ALX



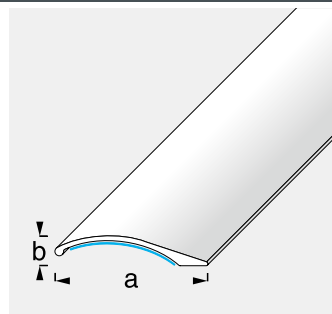
Min. OU: 5 pcs.

· With glue line

#### Anodized aluminium, self-adhesive

Colour	Dim. a	Dim. b	Packaging	length: 1.00 m	length: 2.00 m
				EAN / Item no.	EAN / Item no.
A silver	38.5 mm	7.5 mm	shrink-wrapped	4001116 007903	4001116 008900
A silver	38.5 mm	7.5 mm	shrink-wrapped SS	4001116 827907	
B brass	38.5 mm	7.5 mm	shrink-wrapped	4001116 007910	4001116 008917
B brass	38.5 mm	7.5 mm	shrink-wrapped SS	4001116 827914	
C bronze	38.5 mm	7.5 mm	shrink-wrapped	4001116 007927	4001116 008924
C bronze	38.5 mm	7.5 mm	shrink-wrapped SS	4001116 827921	
D champagne	38.5 mm	7.5 mm	shrink-wrapped	4001116 009785	
D champagne	38.5 mm	7.5 mm	shrink-wrapped SS	4001116 829789	
E titanium	38.5 mm	7.5 mm	shrink-wrapped	4001116 009792	4001116 009778
E titanium	38.5 mm	7.5 mm	shrink-wrapped SS	4001116 829796	

#### Level compensator profile, self-adhesive



ALP



Min. OU: 5 pcs.

· With glue line

#### Powder-coated aluminium, self-adhesive

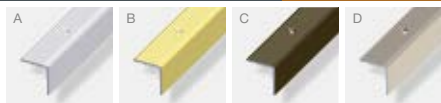
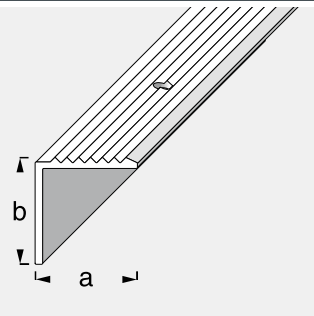
Colour	Dim. a	Dim. b	Packaging	length: 1.00 m	length: 2.00 m
				EAN / Item no.	EAN / Item no.
A maple	38.5 mm	7.5 mm	shrink-wrapped	4001116 007965	4001116 008962
B beech	38.5 mm	7.5 mm	shrink-wrapped	4001116 007972	4001116 008979
C oak	38.5 mm	7.5 mm	shrink-wrapped	4001116 007989	4001116 008986
D ash white	38.5 mm	7.5 mm	shrink-wrapped	4001116 007958	4001116 008955
E cherry	38.5 mm	7.5 mm	shrink-wrapped	4001116 007934	
F mahogany	38.5 mm	7.5 mm	shrink-wrapped	4001116 007996	
G walnut	38.5 mm	7.5 mm	shrink-wrapped	4001116 007941	4001116 008948



# Floor and room profiles

## Step edging profiles

### Step edging profile, narrow, grooved, drilled



ALX

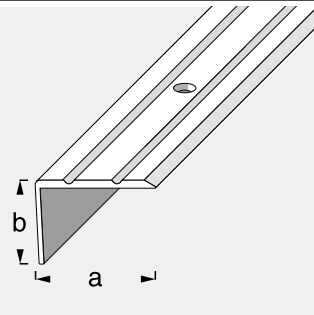
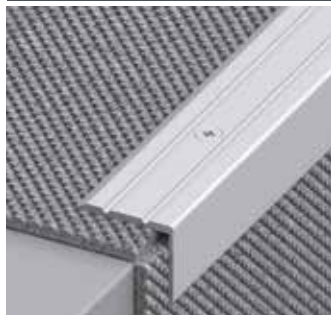


Min. OU: 5 pcs.

· Step edge protection

Anodized aluminium, drilled				length: 1.00 m	length: 2.00 m	length: 2.50 m
Colour	Dim. a	Dim. b	Packaging	EAN/Item no.	EAN/Item no.	EAN/Item no.
A silver	19.0mm	20.0mm	loose	4001116014093	4001116054099	4001116835094
A silver	19.0mm	20.0mm	shrink-wrapped	4001116811098	4001116815096	
A silver	19.0mm	20.0mm	shrink-wrapped SS	4001116821097		
B brass	19.0mm	20.0mm	loose	4001116024092	4001116064098	4001116836091
B brass	19.0mm	20.0mm	shrink-wrapped	4001116812095	4001116816093	
B brass	19.0mm	20.0mm	shrink-wrapped SS	4001116822094		
C bronze	19.0mm	20.0mm	loose	4001116034091	4001116074097	4001116837098
C bronze	19.0mm	20.0mm	shrink-wrapped	4001116813092		
C bronze	19.0mm	20.0mm	shrink-wrapped SS	4001116823091		
D titanium	19.0mm	20.0mm	loose	4001116027093		
D titanium	19.0mm	20.0mm	shrink-wrapped SS	4001116825095		

### Step edging profile, drilled, with decorative grooves



ALX



Min. OU: 5 pcs.

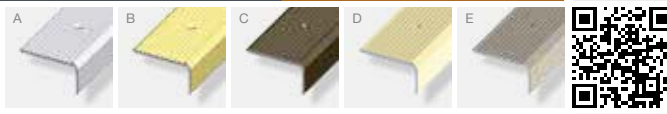
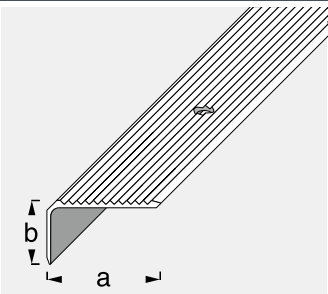
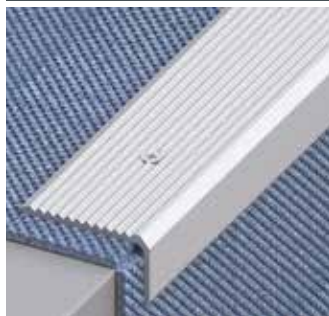
· Step edge protection

Anodized aluminium, drilled				length: 1.00 m	length: 2.00 m	length: 2.50 m
Colour	Dim. a	Dim. b	Packaging	EAN/Item no.	EAN/Item no.	EAN/Item no.
A silver	25.0mm	20.0mm	loose	4001116014420	4001116054426	4001116835421
A silver	25.0mm	20.0mm	shrink-wrapped	4001116811425	4001116815423	
A silver	25.0mm	20.0mm	shrink-wrapped SS	4001116821424		
B brass	25.0mm	20.0mm	loose	4001116024429	4001116064425	4001116836428
B brass	25.0mm	20.0mm	shrink-wrapped	4001116812422	4001116816420	
B brass	25.0mm	20.0mm	shrink-wrapped SS	4001116822421		
C bronze	25.0mm	20.0mm	loose	4001116034428	4001116074424	4001116837425
C bronze	25.0mm	20.0mm	shrink-wrapped	4001116813429	4001116817427	
C bronze	25.0mm	20.0mm	shrink-wrapped SS	4001116823428		
D champagne	25.0mm	20.0mm	loose	4001116025426		
E titanium	25.0mm	20.0mm	loose	4001116027420	4001116057427	
E titanium	25.0mm	20.0mm	shrink-wrapped SS	4001116825422		

# Floor and room profiles

## Step edging profiles

### Step edging profile, wide, grooved, drilled



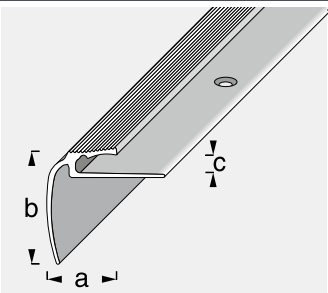
ALX

Min. OU: 5 pcs.

· Step edge protection

Anodized aluminium, drilled					length: 1.00 m	length: 2.00 m	length: 2.50 m
Colour	Dim. a	Dim. b	Packaging		EAN / Item no.	EAN / Item no.	EAN / Item no.
A silver	41.0 mm	23.0 mm	loose		4001116014529	4001116054525	4001116835520
A silver	41.0 mm	23.0 mm	shrink-wrapped		4001116811524	4001116815522	
A silver	41.0 mm	23.0 mm	shrink-wrapped SS		4001116821523		
A silver	41.0 mm	40.0 mm	loose		4001116014574	4001116054570	
B brass	41.0 mm	23.0 mm	loose		4001116024528	4001116064524	4001116836527
B brass	41.0 mm	23.0 mm	shrink-wrapped		4001116812521	4001116816529	
B brass	41.0 mm	23.0 mm	shrink-wrapped SS		4001116822520		
B brass	41.0 mm	40.0 mm	loose		4001116024573	4001116064579	
C bronze	41.0 mm	23.0 mm	loose		4001116034527	4001116074523	4001116837524
C bronze	41.0 mm	23.0 mm	shrink-wrapped		4001116813528	4001116817526	
C bronze	41.0 mm	23.0 mm	shrink-wrapped SS		4001116823527		
C bronze	41.0 mm	40.0 mm	loose		4001116034572	4001116074578	
D champagne	41.0 mm	23.0 mm	loose		4001116025525		
D champagne	41.0 mm	23.0 mm	shrink-wrapped SS		4001116824524		
E titanium	41.0 mm	23.0 mm	loose		4001116027529	4001116057526	
E titanium	41.0 mm	23.0 mm	shrink-wrapped SS		4001116825521		
E titanium	41.0 mm	40.0 mm	loose			4001116057571	

### Step edging profile, grooved, drilled



ALX

Min. OU: 5 pcs.

· Step edge protection

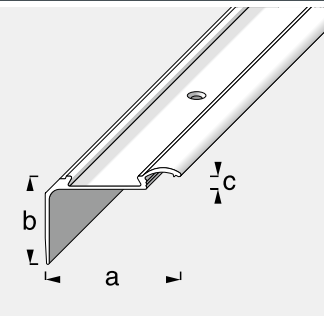
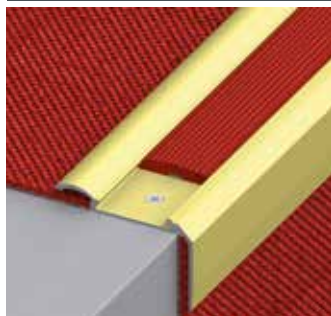
Anodized aluminium, drilled					length: 1.00 m	length: 2.00 m
Colour	Dim. a	Dim. b	Dim. c	Packaging	EAN / Item no.	EAN / Item no.
A silver	22.0 mm	33.0 mm	5.0 mm	loose	4001116014550	4001116054556
A silver	22.0 mm	33.0 mm	5.0 mm	shrink-wrapped		4001116815553
B brass	22.0 mm	33.0 mm	5.0 mm	loose	4001116024559	
C bronze	22.0 mm	33.0 mm	5.0 mm	loose		4001116074554

Building-material catalogue | 97052 | 01.2017 | 71708

# Floor and room profiles

## Step edging profiles

### Step edging profile, for inserts, drilled



· Step edge protection

ALX

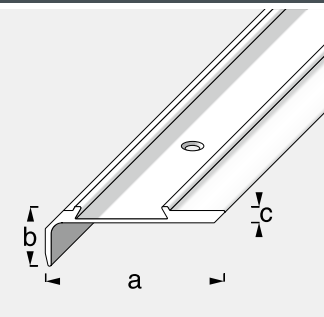


Min. OU: 5 pcs.

#### Anodized aluminium, drilled

Colour	Dim. a	Dim. b	Dim. c	Packaging	length: 1.00 m	length: 2.00 m
					EAN / Item no.	EAN / Item no.
A silver	52.0mm	34.0mm	5.0mm	loose	4001116014536	4001116054532
B brass	52.0mm	34.0mm	5.0mm	loose	4001116024535	4001116064531
C bronze	52.0mm	34.0mm	5.0mm	loose	4001116034534	4001116074530

### Step edging profile, for inserts, drilled



· Step edge protection

ALX

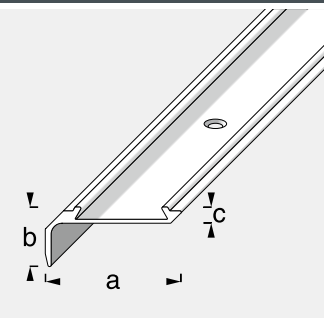
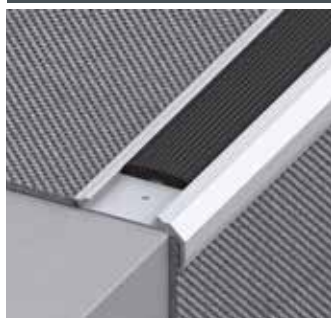


Min. OU: 5 pcs.

#### Anodized aluminium, drilled

Colour	Dim. a	Dim. b	Dim. c	Packaging	length: 1.00 m	length: 2.00 m
					EAN / Item no.	EAN / Item no.
A silver	57.0mm	18.0mm	5.0mm	shrink-wrapped	4001116811562	4001116815560

### Step edging profile, for inserts, drilled



· Step edge protection

ALX



Min. OU: 5 pcs.


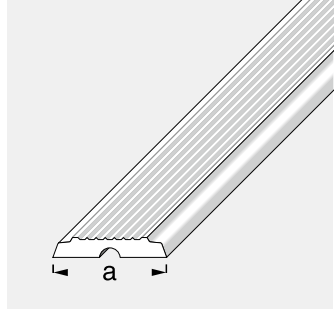
#### Anodized aluminium, drilled


Colour	Dim. a	Dim. b	Dim. c	Packaging	length: 1.00 m	length: 2.00 m
					EAN / Item no.	EAN / Item no.
A silver	42.0mm	18.0mm	5.0mm	loose	4001116014543	4001116054549
B brass	42.0mm	18.0mm	5.0mm	loose		4001116064548
C bronze	42.0mm	18.0mm	5.0mm	loose		4001116074547

## Floor and room profiles


### Step edging profiles

**Insert for step edging profile** PVC








A




B




C




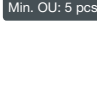
D



E



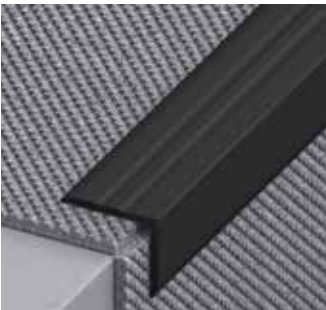
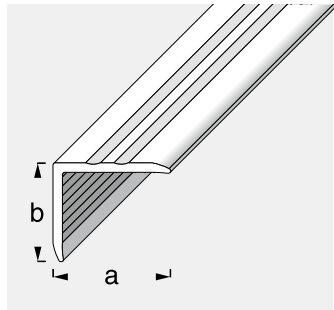
F


  
  
 Min. OU: 5 pcs.

- Step edge protection
- Anti-slip


Plastic (soft PVC), grooved			length: 1.00 m	length: 2.50 m
Colour	Dim. a	Packaging	EAN / Item no.	EAN / Item no.
A black	28.0 mm	loose	4001116 899300	
A black	28.0 mm	clap-pac		4001116 899508
B grey	28.0 mm	loose	4001116 899317	
B grey	28.0 mm	clap-pac		4001116 899515
C terra brown	28.0 mm	loose	4001116 899324	
C terra brown	28.0 mm	clap-pac		4001116 899522
D beige	28.0 mm	loose	4001116 899331	
D beige	28.0 mm	clap-pac		4001116 899539
E terracotta	28.0 mm	loose	4001116 899379	
F red	28.0 mm	clap-pac		4001116 899546

**Plastic step edging profile** PVC








A




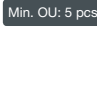
B



C



D

  
  
 Min. OU: 5 pcs.

- Step edge protection

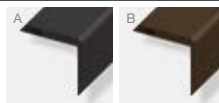
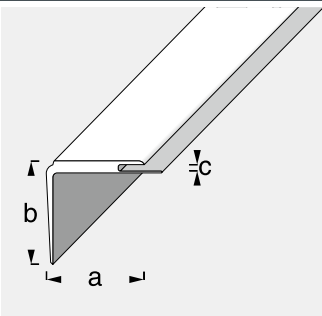
Plastic (hard PVC)			length: 1.00 m	length: 2.00 m
Colour	Dim. a	Dim. b	EAN / Item no.	EAN / Item no.
A black	25.0 mm	21.0 mm	4001116 110115	4001116 150111
A black	25.0 mm	21.0 mm	shrink-wrapped SS	4001116 500114
B brown	25.0 mm	21.0 mm	loose	4001116 110146
B brown	25.0 mm	21.0 mm	shrink-wrapped SS	4001116 500145
C brown-beige	25.0 mm	21.0 mm	loose	4001116 110153
C brown-beige	25.0 mm	21.0 mm	shrink-wrapped SS	4001116 500152
D grey-beige	25.0 mm	21.0 mm	loose	4001116 110160
D grey-beige	25.0 mm	21.0 mm	shrink-wrapped SS	4001116 500169

## Floor and room profiles

### Step edging profiles | Accessories

#### Plastic step edging profile

PVC



Min. OU: 5 pcs.

· Step edge protection

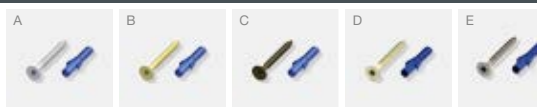
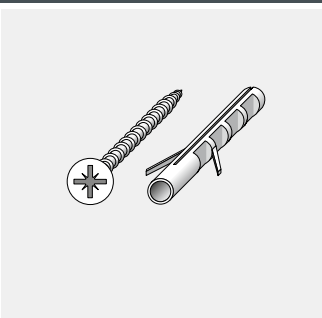
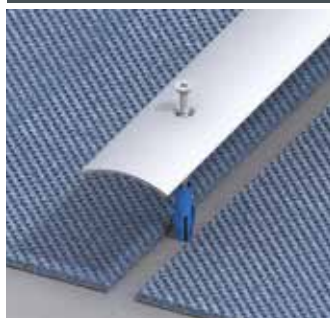
#### Plastic (soft PVC)

length: 1.07 m

Colour	Dim. a	Dim. b	Dim. c	Packaging	EAN / Item no.
A black	45.0 mm	47.0 mm	3.0 mm	shrink-wrapped SS	400111650051 0
B terra brown	45.0 mm	47.0 mm	3.0 mm	shrink-wrapped SS	400111650054 1

#### Screw and dowel

STA



Min. OU: 5 pcs.

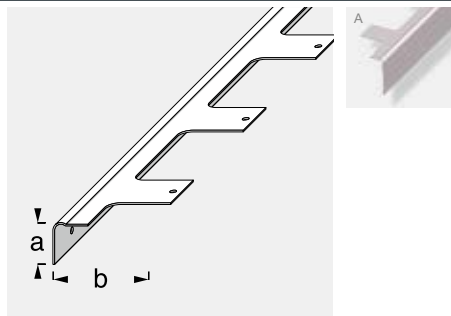
#### Steel

Colour	Screw size	Plug size	PU	Packaging	EAN / Item no.
A silver	3,0 mm x 30,0 mm	5.0 mm Ø	10 pieces	each, SS box	400111651125 7
B brass	3,0 mm x 30,0 mm	5.0 mm Ø	10 pieces	each, SS box	400111651126 4
C bronze	3,0 mm x 30,0 mm	5.0 mm Ø	10 pieces	each, SS box	400111651127 1
D champagne	3,0 mm x 30,0 mm	5.0 mm Ø	10 pieces	each, SS box	400111651132 5
E titanium	3,0 mm x 30,0 mm	5.0 mm Ø	10 pieces	each, SS box	400111651133 2

## Floor and room profiles

### Step repair brackets | Wall covering corner bars

#### Step repair bracket, for wooden stairs



STA

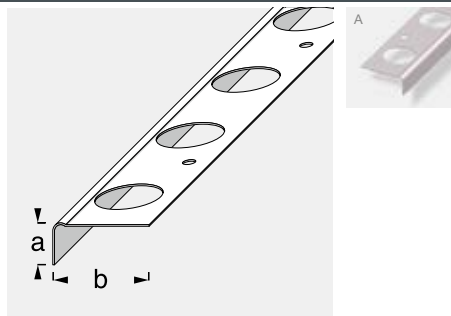


Min. OU: 5 pcs.

Galvanized steel

Dim. a	Dim. b	Packaging	length: 1.03 m EAN / Item no.
A 18.0 mm	43.0 mm	loose	4001116 77800 1
A 39.0 mm	43.0 mm	loose	4001116 77801 8

#### Step repair bracket, for stone stairs



STA

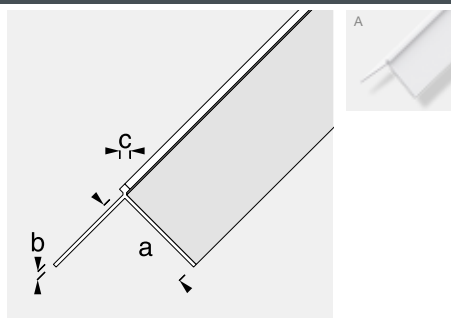


Min. OU: 5 pcs.

Galvanized steel

Dim. a	Dim. b	Packaging	length: 1.03 m EAN / Item no.
A 18.0 mm	43.0 mm	loose	4001116 77802 5

#### Wall covering corner bar



PVC



Min. OU: 5 pcs.

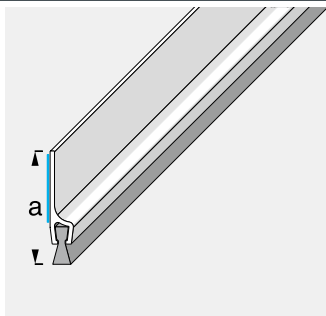
Plastic (hard PVC)

Colour	Dim. a	Dim. b	Dim. c	Packaging	length: 2.60 m EAN / Item no.
A white	20.0 mm	1.0 mm	2.0 mm	loose	4001116 79981 5

# Floor and room profiles

## Door sealing brushes

### Door sealing brush



· With adhesive tape

ALU

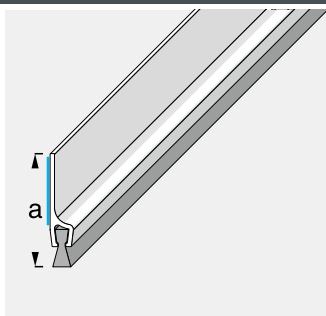


Min. OU: 5 pcs.

#### Uncoated aluminium, self-adhesive

Colour	Dim. a	Packaging	length: 1.00 m EAN / Item no.
A uncoated	45.0 mm	shrink-wrapped	4001116899003
A uncoated	45.0 mm	shrink-wrapped SS	4001116899102

### Door sealing brush



· With adhesive tape

ALX

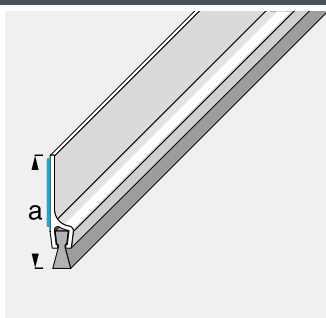
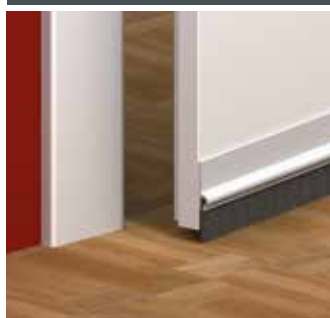


Min. OU: 5 pcs.

#### Anodized aluminium, self-adhesive

Colour	Dim. a	Packaging	length: 1.00 m EAN / Item no.
A silver	45.0 mm	shrink-wrapped	4001116899010
A silver	45.0 mm	shrink-wrapped SS	4001116899119

### Door sealing brush



· With adhesive tape

PVC



Min. OU: 5 pcs.

#### Plastic (hard PVC) self-adhesive

Colour	Dim. a	Packaging	length: 1.00 m EAN / Item no.
A white	45.0 mm	shrink-wrapped	4001116899058
A white	45.0 mm	shrink-wrapped SS	4001116899157
B brown	45.0 mm	shrink-wrapped	4001116899041
C light oak	45.0 mm	shrink-wrapped	4001116899065
C light oak	45.0 mm	shrink-wrapped SS	4001116899164





# Profiles for parquet, laminate and designer floors



## Profiles for parquet, laminate and designer floors

### Range overview

#### The clip trick

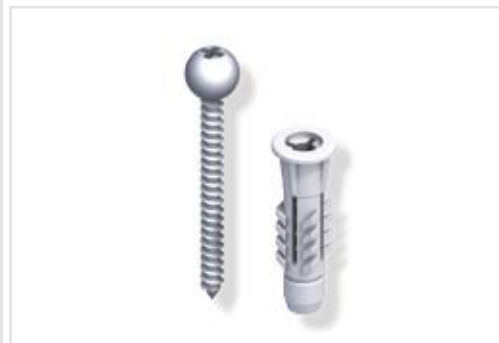
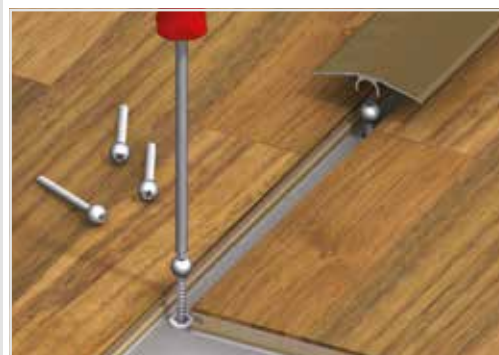
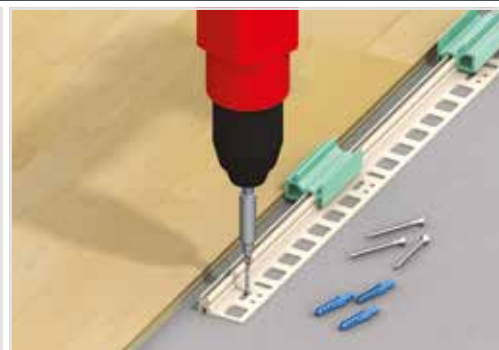
##### **clipstech**® support profiles and accessories

Parquet, cork, laminate and vinyl floor coverings appeal not only due to their excellent characteristics when it comes to performance and hygiene but also due to their simple installation. The only difficulty is to achieve clean edgings and transitions. Different covering heights are a particular challenge for willing do-it-yourselfers. But **alfer**® would not be **alfer**® if it had not thought of a clever solution for this problem: the **clipstech**® system, the only one of its kind in the world.

**clipstech**® support profiles made from high-impact plastic form the basis of the **clipstech**® profile system for flexibly leveling out different covering heights. The support profiles with the **alfer**-fix universal hole pattern are simply glued, screwed, nailed or tacked to the substrate prior to installing the floor covering. Five different profile heights are available depending on the covering height. The profiles are then simply clipped securely and reliably onto the link joint of the support profile using clip installation. Done!

##### **Practical accessories for easy installation:**

Countersunk screws with plugs help you anchor the support profile to the substrate securely. Exactly position support profiles on doors, walls, etc. with **alfer**® mounting aids while maintaining the required expansion joint clearance.



# Profiles for parquet, laminate and designer floors

## Range overview

### Profile ideas with a system

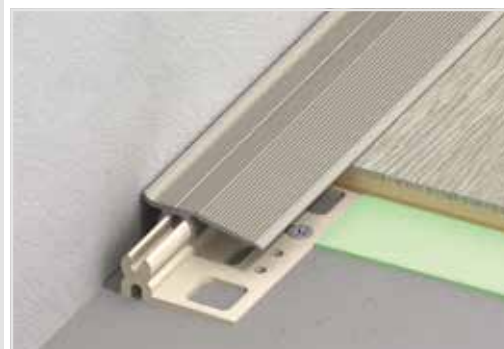
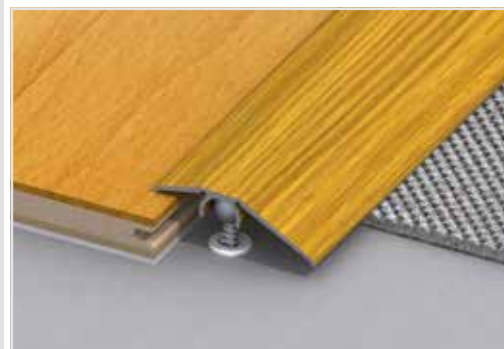
#### **clipstech**<sup>®</sup>-vario and **clipstech**<sup>®</sup> system profiles

Whether cover strips for entrance or room doors, level compensator profiles with shanks in two different lengths to bridge expansion joints between floor coverings with different heights, wall edging profiles for achieving a clean, safe and subtle edge between floor and walls, terrace doors, etc. or edging profiles for butt edges in door areas, the **clipstech**<sup>®</sup> system offers the perfect profile solution for any requirement and any challenge: The high-quality aluminum profiles are available anodized or powder-coated.

① Floor covering height ranges, page 2.09–2.12

#### **Tip:**

If the floor covering has already been installed, you can bridge the expansion joints easily and elegantly thanks to the clever screw/plug system, **clipstech**<sup>®</sup>-vario.



# Profiles for parquet, laminate and designer floors

## Range overview

### Specially designed for high loads

#### clipstech<sup>®</sup>-plus support and system profiles

Clip + screw = highest possible stability. The one-of-a-kind **clipstech<sup>®</sup>-plus** screw system, consisting of extremely durable aluminum support profiles and decorative, specially reinforced decor profiles made from anodized aluminum, lives by this simple yet brilliant rule. The grooved hinge ball of the support profile ensures that the self-cutting special screw is centered automatically when the decor profile is installed.

The aluminum support profiles are available with the tried-and-tested **alfer<sup>®</sup>-fix** universal hole pattern or in the **clipstech<sup>®</sup>-plus** Renovation design. The latter was developed specially for subsequent installation. Anchoring occurs by way of a screw connection.

The **clipstech<sup>®</sup>-plus** product range includes cover strips as well as level compensator profiles in different colours.

**i** Floor covering height ranges, page 2.12–2.13

#### Mounting accessories

The accessories include self-cutting countersunk screws in matching colours, oval-headed screws with plugs for anchoring the support profiles as well as practical **alfer<sup>®</sup>** mounting aids.



# Profiles for parquet, laminate and designer floors

## Range overview

### Mini but mighty

#### The **clipstech**<sup>®</sup>-mini complete set

For lovers of delicate visual effects, we offer our **clipstech**<sup>®</sup>-mini complete set, consisting of a plastic support profile with **alfer**<sup>®</sup>-fix universal hole pattern in combination with a cover strip (25 mm), a level compensator profile (31 mm) or an edging profile (8.5 mm). Our mini complete set is simply huge!

The **alfer**<sup>®</sup>-fix universal hole pattern combines different hole shapes. The largest possible perforation ensures optimal penetration of the glue or mortar. This results in a perfect contact surface between tile and substrate that guarantees maximum hold. The different perforations are exceptionally well suited for prefastening the profile to the wall or floor. Our **alfer**<sup>®</sup>-fix universal hole pattern – simply clever!

① Floor covering height ranges, page 2.11




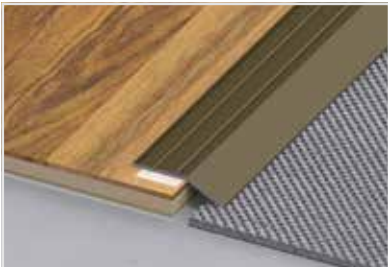
#### Clean edges and transitions: Standard profiles

Z-finish profiles, angle edging profiles, edge profiles or level compensator profiles: give all floor edges and transitions in your home the perfect finish by relying on **alfer**<sup>®</sup> standard profiles made from anodized aluminum or hot-embossed plastic. Imperfect edges and tripping hazards don't stand a chance.



# Profiles for parquet, laminate and designer floors

## Range overview

clipstech <sup>®</sup> -vario and clipstech <sup>®</sup> system profiles		2.15–2.32
	<ul style="list-style-type: none"> <li>· Countersunk screw with plug</li> <li>· Cover strip, 33 mm</li> <li>· Cover strip, 33 mm, and plug system</li> <li>· Cover strip, 46 mm</li> <li>· Cover strip, 46 mm, and plug system</li> <li>· Cover strip, flat, 33 mm, and plug system</li> <li>· Edging profile, 12.5 mm</li> <li>· Edging profile, 12.5 mm, and plug system</li> <li>· Edging profile, 15 mm</li> <li>· Edging profile, 15 mm, and plug system</li> <li>· Edging profile, 20 mm</li> <li>· Edging profile, 20 mm, and plug system</li> <li>· Edging profile, 27 mm</li> <li>· Level compensator profile, 40 mm</li> <li>· Level compensator profile, 40 mm, and plug system</li> <li>· Level compensator profile, 56 mm</li> <li>· Level compensator profile, 56 mm, and plug system</li> <li>· Mounting aid</li> <li>· Plastic support profile with <b>alfer</b>-fix</li> <li>· Plug system</li> <li>· Wall edging profile</li> <li>· Wall edging profile, 32 mm, and plug system</li> </ul>	<p>ALX</p> <p>ALP</p> <p><b>STA</b></p> <p>PVC</p>
	<ul style="list-style-type: none"> <li>· Aluminium support profile Renovation</li> <li>· Aluminium support profile with <b>alfer</b>-fix</li> <li>· Countersunk screw, self-cutting</li> <li>· Cover strip, 46 mm, and support profile Renovation</li> <li>· Cover strip, 46 mm, and support profile with <b>alfer</b>-fix</li> <li>· Cover strip, 46 mm, drilled</li> <li>· Level compensator profile, 56 mm, and Renovation support profile</li> <li>· Level compensator profile, 56 mm, and support profile with <b>alfer</b>-fix</li> <li>· Level compensator profile, 56 mm, drilled</li> <li>· Mounting aid</li> <li>· Oval-headed screw with plug</li> </ul>	<p>ALU</p> <p>ALX</p> <p><b>STA</b></p> <p>PVC</p>
clipstech <sup>®</sup> -mini system profiles		2.39–2.40
	<ul style="list-style-type: none"> <li>· Cover strip, 25 mm</li> <li>· Edging profile, 8.5 mm</li> <li>· Level compensator profile, 31 mm</li> </ul>	<p>ALX</p>
Standard profiles		2.41–2.45
	<ul style="list-style-type: none"> <li>· Angle edging profile</li> <li>· Edge profile</li> <li>· Level compensator profile</li> <li>· Z-finish profile</li> </ul>	<p>ALX</p> <p>PVC</p>

## Profiles for parquet, laminate and designer floors

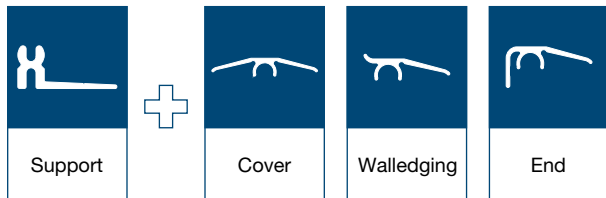


# Profiles for parquet, laminate and designer floors

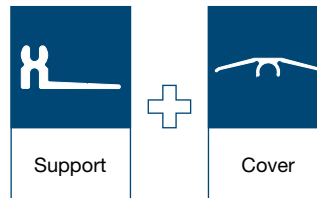
## Floor covering height ranges

### clipstech<sup>®</sup>

#### For same height floor coverings



#### Level compensation from 0.0 mm–7.5 mm



#### Cover strip 33/46 mm and wall edging profile

	Support profile colour	Floor covering	
		From	To
	White	6.0 mm	8.0 mm
	Ivory	8.5 mm	10.5 mm
	Grey	11.0 mm	13.0 mm
	Caramel	13.5 mm	15.5 mm
	Brown	20.5 mm	22.5 mm

#### Cover strip 33 mm

Level compensation from 0.0–2.5 mm	Support profile colour	Left floor		Right floor	
		From	To	From	To
	White	5.0 mm	6.5 mm	6.0 mm	7.5 mm
	Ivory	7.5 mm	9.0 mm	8.5 mm	10.0 mm
	Grey	10.0 mm	11.5 mm	11.0 mm	12.5 mm
	Caramel	12.5 mm	14.0 mm	13.5 mm	15.0 mm
	Brown	19.5 mm	21.0 mm	20.5 mm	22.0 mm

#### Edging profile

	Support profile colour	Edging profile	Floor covering	
			From	To
	White	12.5 mm	6.0 mm	8.0 mm
	Ivory	15.0 mm	8.5 mm	10.5 mm
	Caramel	20.0 mm	13.5 mm	15.5 mm
	Brown	27.0 mm	20.5 mm	22.5 mm

#### Level compensation from 3.0–6.0 mm

Level compensation from 3.0–6.0 mm	Support profile colour	Left floor		Right floor	
		From	To	From	To
	White	3.0 mm	4.5 mm	7.5 mm	9.0 mm
	Ivory	5.5 mm	7.0 mm	10.0 mm	11.5 mm
	Grey	8.0 mm	9.5 mm	12.5 mm	14.0 mm
	Caramel	10.5 mm	12.0 mm	15.0 mm	16.5 mm
	Brown	17.5 mm	19.0 mm	22.0 mm	23.5 mm

#### Edging profile 27 mm as a step edging profile

	Support profile colour	Floor covering	
		From	To
	White	6.0 mm	8.0 mm
	Ivory	8.5 mm	10.5 mm
	Grey	11.0 mm	13.0 mm
	Caramel	13.5 mm	15.5 mm

#### Level compensation from 6.0–7.5 mm

Level compensation from 6.0–7.5 mm	Support profile colour	Left floor		Right floor	
		From	To	From	To
	White	1.5 mm	3.0 mm	9.0 mm	
	Ivory	4.0 mm	5.5 mm	11.5 mm	
	Grey	6.5 mm	8.0 mm	14.0 mm	
	Caramel	9.0 mm	10.5 mm	16.5 mm	
	Brown	16.0 mm	17.5 mm	23.5 mm	

### The correct laying method | clipstech<sup>®</sup>



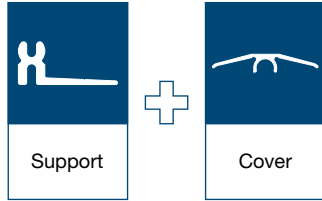


# Profiles for parquet, laminate and designer floors

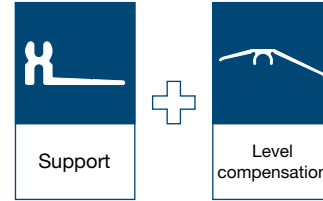
## Floor covering height ranges

### clipstech<sup>®</sup>

#### Level compensation from 0.0 mm–10.0 mm



#### Level compensation from 6.0 mm–15.0 mm



#### Cover strip 46 mm

#### Level compensator profile 40 mm

Level compensation from 0.0–4.0 mm	Support profile colour	Left floor		Right floor	
		From	To	From	To
 Minimum pivot area	White	4.0 mm	6.0 mm	6.0 mm	8.0 mm
	Ivory	6.5 mm	8.5 mm	8.5 mm	10.5 mm
	Grey	9.0 mm	11.0 mm	11.0 mm	13.0 mm
	Caramel	11.5 mm	13.5 mm	13.5 mm	15.5 mm
	Brown	18.5 mm	20.5 mm	20.5 mm	22.5 mm


  

Level compensation from 6.0–9.0 mm	Support profile colour	Left floor		Right floor	
		From	To	From	To
 Minimum pivot area	White	-1.5 mm	0.0 mm	6.0 mm	7.5 mm
	Ivory	1.0 mm	2.5 mm	8.5 mm	10.0 mm
	Grey	3.5 mm	5.0 mm	11.0 mm	12.5 mm
	Caramel	6.0 mm	7.5 mm	13.5 mm	15.0 mm
	Brown	13.0 mm	14.5 mm	20.5 mm	22.0 mm


  

Level compensation from 4.0–8.0 mm	Support profile colour	Left floor		Right floor	
		From	To	From	To
 Medium pivot area	White	2.0 mm	4.0 mm	8.0 mm	10.0 mm
	Ivory	4.5 mm	6.5 mm	10.5 mm	12.5 mm
	Grey	7.0 mm	9.0 mm	13.0 mm	15.0 mm
	Caramel	9.5 mm	11.5 mm	15.5 mm	17.5 mm
	Brown	16.5 mm	18.5 mm	22.5 mm	24.5 mm


  

Level compensation from 10.0–13.0 mm	Support profile colour	Left floor		Right floor	
		From	To	From	To
 Medium pivot area	White	-4.0 mm	-2.5 mm	7.5 mm	9.0 mm
	Ivory	-1.5 mm	0.0 mm	10.0 mm	11.5 mm
	Grey	1.0 mm	2.5 mm	12.5 mm	14.0 mm
	Caramel	3.5 mm	5.0 mm	15.0 mm	16.5 mm
	Brown	10.5 mm	12.0 mm	22.0 mm	23.5 mm

Level compensation from 8.0–10.0 mm	Support profile colour	Left floor		Right floor	
		From	To	From	To
 Maximum pivot area	White	0.0 mm	2.0 mm	10.0 mm	
	Ivory	2.5 mm	4.5 mm	12.5 mm	
	Grey	5.0 mm	7.0 mm	15.0 mm	
	Caramel	7.5 mm	9.5 mm	17.5 mm	
	Brown	14.5 mm	16.5 mm	24.5 mm	

Level compensation from 13.5–15.0 mm	Support profile colour	Left floor		Right floor	
		From	To	From	To
 Maximum pivot area	White	-6.0 mm	-4.5 mm	9.0 mm	
	Ivory	-3.5 mm	-2.0 mm	11.5 mm	
	Grey	-1.0 mm	-0.5 mm	14.0 mm	
	Caramel	1.5 mm	3.0 mm	16.5 mm	
	Brown	8.5 mm	10.0 mm	23.5 mm	

### The correct laying method | clipstech<sup>®</sup>

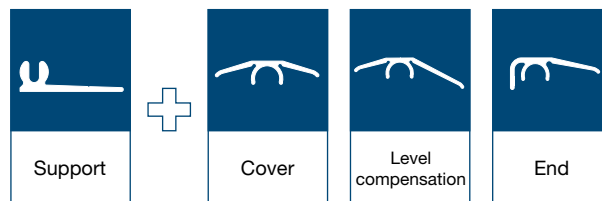
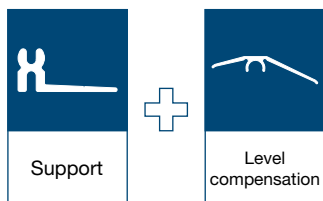


# Profiles for parquet, laminate and designer floors

## Floor covering height ranges

### clipstech<sup>®</sup> | clipstech<sup>®</sup>-mini

#### Level compensation from 9.5mm–21.0mm | Level compensation from 0.0mm–5.0mm



#### Level compensator profile 56mm | Cover strip 25mm

Level compensation from 9.5–13.5mm	Support profile colour	Left floor		Right floor	
		From	To	From	To
	White	-5.5mm	-3.5mm	6.0mm	8.0mm
	Ivory	-3.0mm	-1.0mm	8.5mm	10.5mm
	Grey	-0.5mm	1.5mm	11.0mm	13.0mm
	Caramel	2.0mm	4.0mm	13.5mm	15.5mm
	Brown	9.0mm	11.0mm	20.5mm	22.5mm

Minimum pivot area

Cover strip 25mm	Support profile colour	Left floor		Right floor	
		From	To	From	To
	Light grey	4.0mm	5.0mm	4.0mm	5.0mm

Level compensation from 14.0–18.0mm	Support profile colour	Left floor		Right floor	
		From	To	From	To
	White	-8.0mm	-6.0mm	8.0mm	10.0mm
	Ivory	-5.5mm	-3.5mm	10.5mm	12.5mm
	Grey	-3.0mm	-1.0mm	13.0mm	15.0mm
	Caramel	-0.5mm	1.5mm	15.5mm	17.5mm
	Brown	6.5mm	8.5mm	22.5mm	24.5mm

Medium pivot area

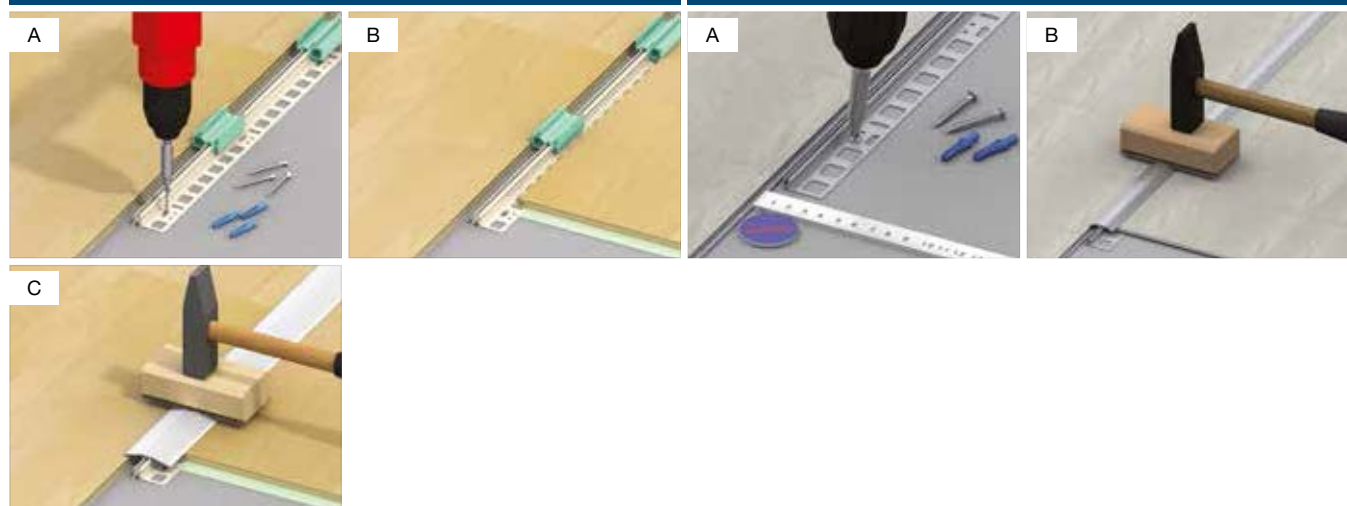
Level compensator profile 31mm	Support profile colour	Left floor		Right floor	
		From	To	From	To
	Light grey	0.0mm	2.0mm	4.0mm	5.0mm

Level compensation from 19.0–21.0mm	Support profile colour	Left floor		Right floor	
		From	To	From	To
	White	-11.0mm	-9.0mm	10.0mm	
	Ivory	-8.5mm	-6.5mm	12.5mm	
	Grey	-6.0mm	-4.0mm	15.0mm	
	Caramel	-3.5mm	-1.5mm	17.5mm	
	Brown	3.5mm	5.5mm	24.5mm	

Maximum pivot area

Edging profile 8.5mm	Support profile colour	Floor covering	
		From	To
	Light grey	4.0mm	5.0mm

#### The correct laying method | clipstech<sup>®</sup> | clipstech<sup>®</sup>-mini



# Profiles for parquet, laminate and designer floors

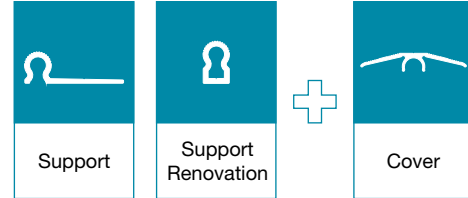
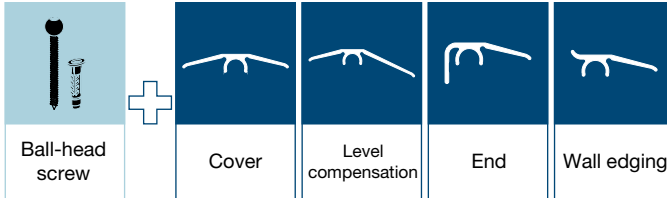
## Floor covering height ranges

### clipstech<sup>®</sup>-vario

### clipstech<sup>®</sup>-plus

Same height coverings and level comp. from 0.0–21.0 mm

For same height floor coverings



### Cover strip, level compensator profile and edging profile

### Cover strip 46 mm

	Support	Floor covering	
		From	To
	Ball-head screw	6.0 mm	20.0 mm

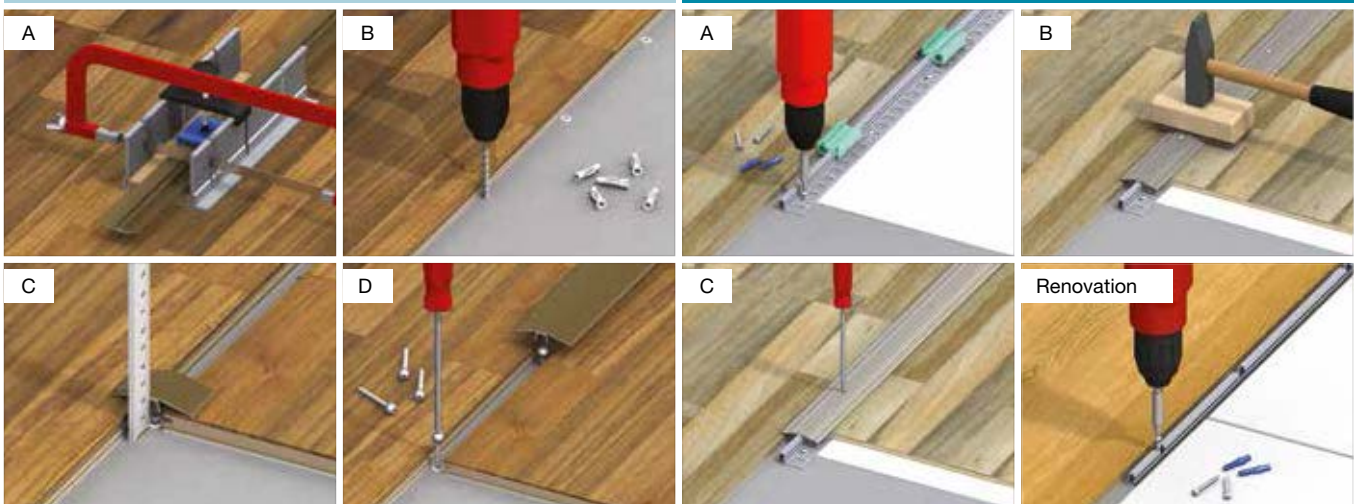
	Support profile height	Floor covering	
		From	To
	9.5 mm	6.0 mm	9.0 mm
	13.0 mm	9.5 mm	12.5 mm
	16.5 mm	13.0 mm	16.0 mm
	20.0 mm	16.5 mm	19.5 mm

	Level compensation up to 7.5 mm	<b>Cover strip 33 mm</b>
	Level compensation up to 10.0 mm	<b>Cover strip 46 mm</b>
	Level compensation from 6.0–15.0 mm	<b>Level compensator profile 40 mm</b>
	Level compensation from 9.5–21.0 mm	<b>Level compensator profile 56 mm</b>

**Note:** the 27 mm edging profile is not suitable for use as a step edging profile in combination with a ball-head screw.

### The correct laying method | clipstech<sup>®</sup>-vario

### The correct laying method | clipstech<sup>®</sup>-plus

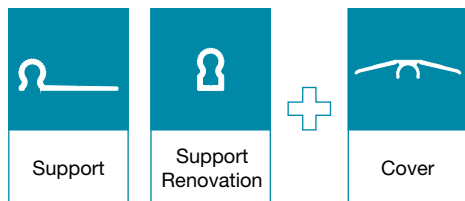


# Profiles for parquet, laminate and designer floors

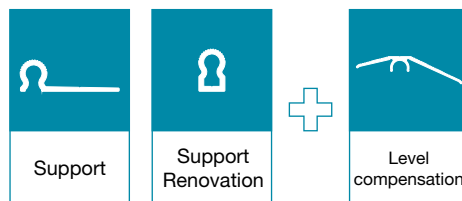
## Floor covering height ranges

### clipstech<sup>®</sup>-plus

#### Level compensation from 0.0–10.0 mm



#### Level compensation from 9.5–21.0 mm



#### Cover strip 46 mm

Level compensation from 0.0–4.0 mm	Support profile height	Left floor		Right floor	
		From	To	From	To
	9.5 mm	4.0 mm	6.0 mm	6.0 mm	8.0 mm
	13.0 mm	7.5 mm	9.5 mm	9.5 mm	11.5 mm
	16.5 mm	11.0 mm	13.0 mm	13.0 mm	15.0 mm
	20.0 mm	14.5 mm	16.5 mm	16.5 mm	18.5 mm

Minimum pivot area

Level compensation from 4.0–8.0 mm	Support profile height	Left floor		Right floor	
		From	To	From	To
	9.5 mm	2.0 mm	4.0 mm	8.0 mm	10.0 mm
	13.0 mm	5.5 mm	7.5 mm	11.5 mm	13.5 mm
	16.5 mm	9.0 mm	11.0 mm	15.0 mm	17.0 mm
	20.0 mm	12.5 mm	14.5 mm	18.5 mm	20.5 mm

Medium pivot area

Level compensation from 8.0–10.0 mm	Support profile height	Left floor		Right floor	
		From	To	From	To
	9.5 mm	0.0 mm	2.0 mm	10.0 mm	
	13.0 mm	3.5 mm	5.5 mm	13.5 mm	
	16.5 mm	7.0 mm	9.0 mm	17.0 mm	
	20.0 mm	10.5 mm	12.5 mm	20.5 mm	

Maximum pivot area

#### Level compensator profile 56 mm

Level compensation from 9.5–13.5 mm	Support profile height	Left floor		Right floor	
		From	To	From	To
	9.5 mm	-5.5 mm	-3.5 mm	6.0 mm	8.0 mm
	13.0 mm	-2.0 mm	0.0 mm	9.5 mm	11.5 mm
	16.5 mm	1.5 mm	3.5 mm	13.0 mm	15.0 mm
	20.0 mm	5.0 mm	7.0 mm	16.5 mm	18.5 mm

Minimum pivot area

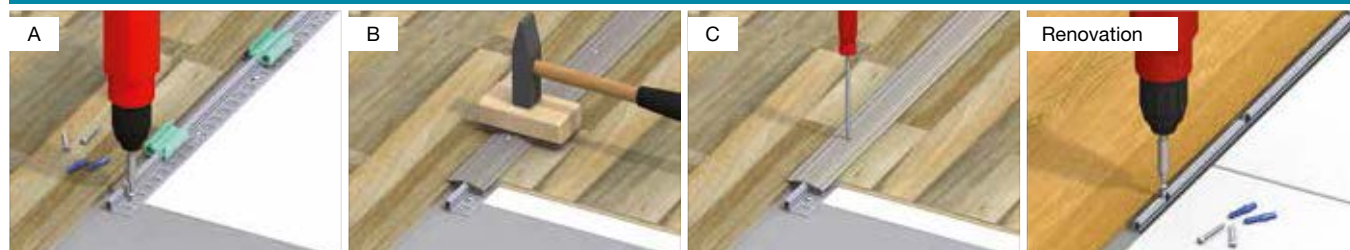
Level compensation from 14.0–18.0 mm	Support profile height	Left floor		Right floor	
		From	To	From	To
	9.5 mm	-8.0 mm	-6.0 mm	8.0 mm	10.0 mm
	13.0 mm	-4.5 mm	-2.5 mm	11.5 mm	13.5 mm
	16.5 mm	-1.0 mm	1.0 mm	15.0 mm	17.0 mm
	20.0 mm	2.5 mm	4.5 mm	18.5 mm	20.5 mm

Medium pivot area

Level compensation from 19.0–21.0 mm	Support profile height	Left floor		Right floor	
		From	To	From	To
	9.5 mm	-11.0 mm	-9.0 mm	10.0 mm	
	13.0 mm	-7.5 mm	-5.5 mm	13.5 mm	
	16.5 mm	-4.0 mm	-2.0 mm	17.0 mm	
	20.0 mm	-0.5 mm	1.5 mm	20.5 mm	

Maximum pivot area

### The correct laying method | clipstech<sup>®</sup>-plus



# Profiles for parquet, laminate and designer floors

## Floor covering height ranges

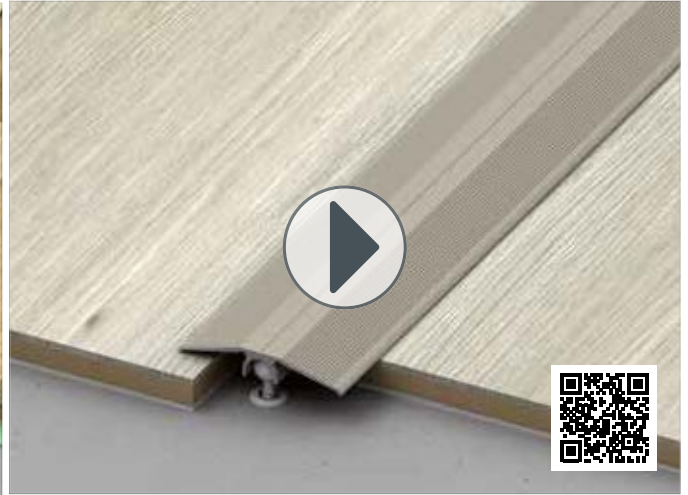
### Useful application videos

Watch videos of our product and processing tips on YouTube: [www.youtube.com/alferaluminium](http://www.youtube.com/alferaluminium)

#### clipstech<sup>®</sup>



#### clipstech<sup>®</sup>-vario



#### clipstech<sup>®</sup>-plus



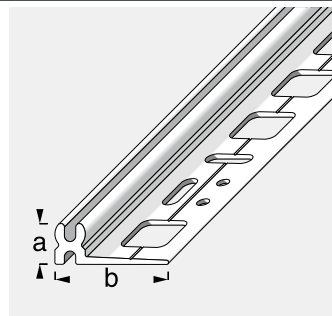
#### clipstech<sup>®</sup>-plus renovation



## Profiles for parquet, laminate and designer floors clipstech<sup>®</sup>-vario and clipstech<sup>®</sup> system profiles

### Plastic support profile with alfer<sup>®</sup>-fix

PVC



Min. OU: 5 pcs.

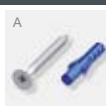
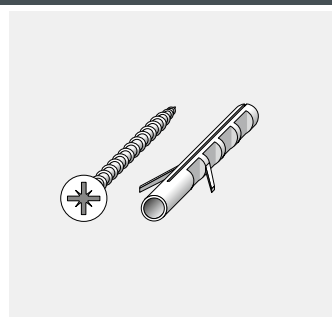
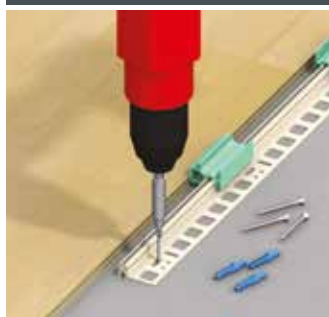
2.09-2.11

· alfer<sup>®</sup>-fix universal punching

Plastic (hard PVC)				length: 1.00 m	length: 2.00 m	length: 2.70 m
Colour	Dim. a	Dim. b	Packaging	EAN / Item no.	EAN / Item no.	EAN / Item no.
A white	8.5 mm	30.0 mm	loose	400111688000 1	400111688200 5	400111688400 9
B ivory	11.0 mm	30.0 mm	loose	400111688001 8	400111688201 2	400111688401 6
C grey	13.5 mm	30.0 mm	loose	400111688004 9	400111688204 3	400111688404 7
D caramel	16.0 mm	30.0 mm	loose	400111688002 5	400111688202 9	400111688402 3
E brown	23.0 mm	30.0 mm	loose	400111688003 2	400111688203 6	400111688403 0

### Countersunk screw with plug

STA



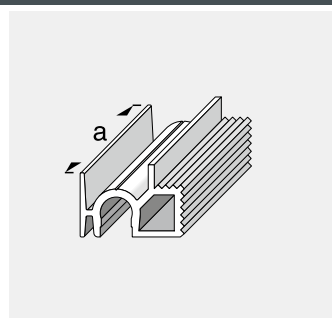
Min. OU: 5 pcs.

2.09-2.14

Steel	Colour	Screw size	Plug size	PU	Packaging	EAN / Item no.
A	silver	3,0 mm x 30,0 mm	5.0 mm Ø	10 pieces	each, SS box	400111651125 7

### Mounting aid

PVC



Min. OU: 5 pcs.

2.09-2.14

Plastic (hard PVC)		Dim. a	PU	Packaging	EAN / Item no.
A	green	50.0 mm	4 pieces	clap-pac	400111688008 7

# Profiles for parquet, laminate and designer floors clipstech<sup>®</sup>-vario and clipstech<sup>®</sup> system profiles

**Plug system**





STA


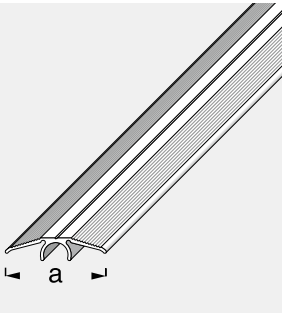



Min. OU: 5 pcs.  
2.12


· Suitable for retrospective laying

Galvanized steel						length: 35.0 mm
Colour	Screw size	Plug size	PU	Packaging		EAN / Item no.
A galvanized	4,0 mm	6.0 mm Ø	5 pieces	each, SS box		4001116882098

**Cover strip, 33 mm**

ALX


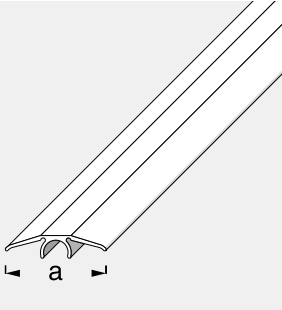
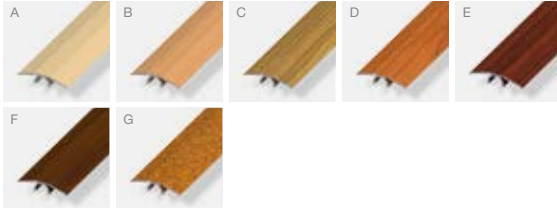


Min. OU: 5 pcs.  
2.09-2.10


· Without interference from screws

Anodized aluminium			length: 1.00 m	length: 2.00 m	length: 2.70 m
Colour	Dim. a	Packaging	EAN / Item no.	EAN / Item no.	EAN / Item no.
A silver	33.0 mm	shrink-wrapped	4001116880803	4001116882807	4001116884801
B brass	33.0 mm	shrink-wrapped	4001116880810	4001116882814	4001116884818
C bronze	33.0 mm	shrink-wrapped	4001116880827	4001116882821	4001116884825
D champagne	33.0 mm	shrink-wrapped	4001116880896	4001116882890	4001116884894
E titanium	33.0 mm	shrink-wrapped	4001116890802	4001116892806	4001116894800

**Cover strip, 33 mm**

ALP




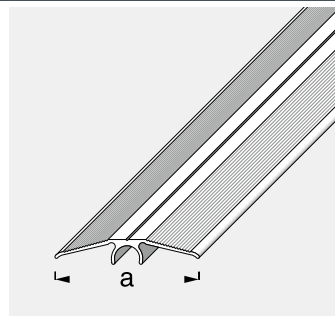
Min. OU: 5 pcs.  
2.09-2.11




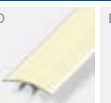
· Without interference from screws


Powder-coated aluminium			length: 1.00 m	length: 2.00 m	length: 2.70 m
Colour	Dim. a	Packaging	EAN / Item no.	EAN / Item no.	EAN / Item no.
A maple	33.0 mm	shrink-wrapped	4001116880834	4001116882838	4001116884832
B beech	33.0 mm	shrink-wrapped	4001116880841	4001116882845	4001116884849
C oak	33.0 mm	shrink-wrapped	4001116880858	4001116882852	4001116884856
D cherry	33.0 mm	shrink-wrapped	4001116880872	4001116882876	4001116884870
E mahagony	33.0 mm	shrink-wrapped	4001116880865	4001116882869	4001116884863
F walnut	33.0 mm	shrink-wrapped	4001116880889	4001116882883	4001116884887
G cork	33.0 mm	shrink-wrapped	4001116890819		

## Profiles for parquet, laminate and designer floors clipstech<sup>®</sup>-vario and clipstech<sup>®</sup> system profiles

**Cover strip, 46 mm** ALX


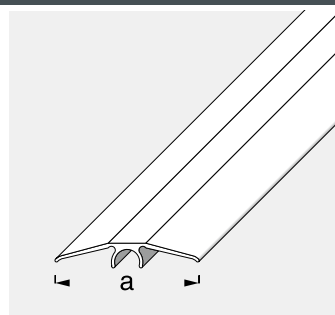





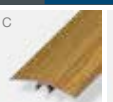


Min. OU: 5 pcs.  
2.09-2.11



· Without interference from screws


Anodized aluminium			length: 1.00 m	length: 2.00 m	length: 2.70 m
Colour	Dim. a	Packaging	EAN / Item no.	EAN / Item no.	EAN / Item no.
A silver	46.0 mm	shrink-wrapped	4001116880100	4001116882104	4001116884108
B brass	46.0 mm	shrink-wrapped	4001116880117	4001116882111	4001116884115
C bronze	46.0 mm	shrink-wrapped	4001116880124	4001116882128	4001116884122
D champagne	46.0 mm	shrink-wrapped	4001116880193	4001116882197	4001116884191
E titanium	46.0 mm	shrink-wrapped	4001116890109	4001116892103	4001116894107

**Cover strip, 46 mm** ALP



Min. OU: 5 pcs.  
2.09-2.11

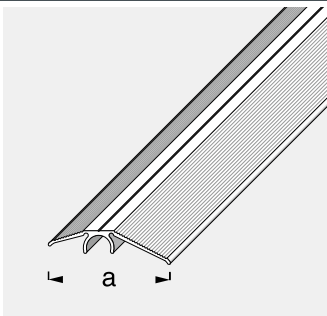
· Without interference from screws

Powder-coated aluminium			length: 1.00 m	length: 2.00 m	length: 2.70 m
Colour	Dim. a	Packaging	EAN / Item no.	EAN / Item no.	EAN / Item no.
A maple	46.0 mm	shrink-wrapped	4001116880131	4001116882135	4001116884139
B beech	46.0 mm	shrink-wrapped	4001116880148	4001116882142	4001116884146
C oak	46.0 mm	shrink-wrapped	4001116880155	4001116882159	4001116884153
D cherry	46.0 mm	shrink-wrapped	4001116880179	4001116882173	
E mahogany	46.0 mm	shrink-wrapped	4001116880162	4001116882166	
F walnut	46.0 mm	shrink-wrapped	4001116880186	4001116882180	
G cork	46.0 mm	shrink-wrapped	4001116890116		



## Profiles for parquet, laminate and designer floors clipstech<sup>®</sup>-vario and clipstech<sup>®</sup> system profiles

### Level compensator profile, 40 mm



ALX



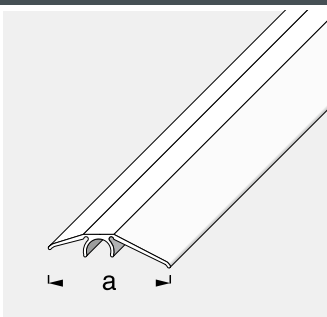
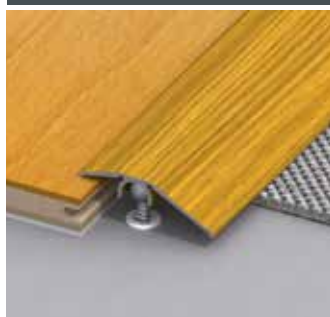
Min. OU: 5 pcs.

2.09-2.11

· Without interference from screws

Anodized aluminium			length: 1.00 m	length: 2.00 m	length: 2.70 m
Colour	Dim. a	Packaging	EAN/Item no.	EAN/Item no.	EAN/Item no.
A silver	40.0mm	shrink-wrapped	4001116880902	4001116882906	4001116884900
B brass	40.0mm	shrink-wrapped	4001116880919	4001116882913	4001116884917
C bronze	40.0mm	shrink-wrapped	4001116880926	4001116882920	4001116884924
D champagne	40.0mm	shrink-wrapped	4001116880995	4001116882999	4001116884993
E titanium	40.0mm	shrink-wrapped	4001116890901	4001116892905	4001116894909

### Level compensator profile, 40 mm



ALP



Min. OU: 5 pcs.

2.09-2.11

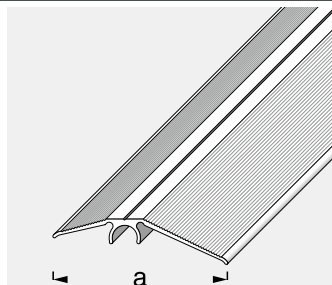
· Without interference from screws

Powder-coated aluminium			length: 1.00 m	length: 2.00 m	length: 2.70 m
Colour	Dim. a	Packaging	EAN/Item no.	EAN/Item no.	EAN/Item no.
A maple	40.0 mm	shrink-wrapped	4001116880933	4001116882937	4001116884931
B beech	40.0 mm	shrink-wrapped	4001116880940	4001116882944	4001116884948
C oak	40.0 mm	shrink-wrapped	4001116880957	4001116882951	4001116884955
D cherry	40.0 mm	shrink-wrapped	4001116880971	4001116882975	4001116884979
E mahogany	40.0 mm	shrink-wrapped	4001116880964	4001116882968	4001116884962
F walnut	40.0 mm	shrink-wrapped	4001116880988	4001116882982	4001116884986
G cork	40.0 mm	shrink-wrapped	4001116890918		

## Profiles for parquet, laminate and designer floors clipstech<sup>®</sup>-vario and clipstech<sup>®</sup> system profiles

### Level compensator profile, 56 mm

ALX



Min. OU: 5 pcs.

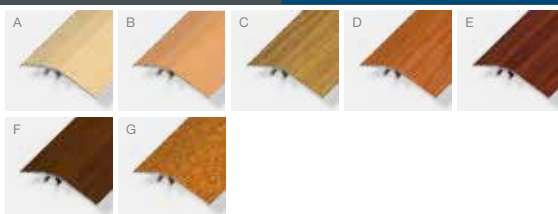
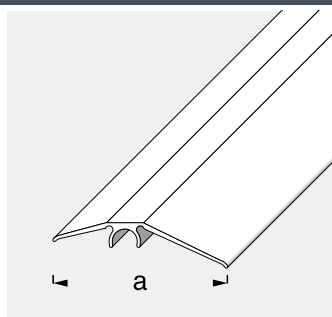
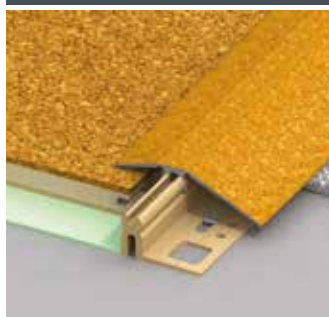
2.09-2.11

· Without interference from screws

Anodized aluminium			length: 1.00 m	length: 2.00 m	length: 2.70 m
Colour	Dim. a	Packaging	EAN / Item no.	EAN / Item no.	EAN / Item no.
A silver	56.0 mm	shrink-wrapped	4001116880209	4001116882203	4001116884207
B brass	56.0 mm	shrink-wrapped	4001116880216	4001116882210	4001116884214
C bronze	56.0 mm	shrink-wrapped	4001116880223	4001116882227	4001116884221
D champagne	56.0 mm	shrink-wrapped	4001116880292	4001116882296	4001116884290
E titanium	56.0 mm	shrink-wrapped	4001116890208	4001116892202	4001116894206

### Level compensator profile, 56 mm

ALP



Min. OU: 5 pcs.

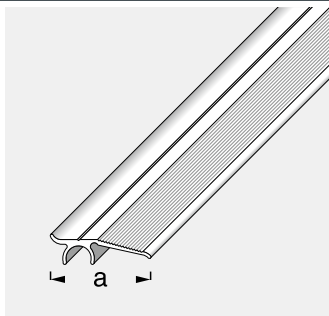
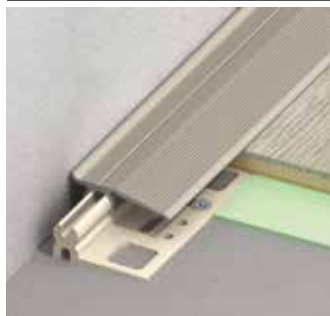
2.09-2.11

· Without interference from screws

Powder-coated aluminium			length: 1.00 m	length: 2.00 m	length: 2.70 m
Colour	Dim. a	Packaging	EAN / Item no.	EAN / Item no.	EAN / Item no.
A maple	56.0 mm	shrink-wrapped	4001116880230	4001116882234	4001116884238
B beech	56.0 mm	shrink-wrapped	4001116880247	4001116882241	4001116884245
C oak	56.0 mm	shrink-wrapped	4001116880254	4001116882258	4001116884252
D cherry	56.0 mm	shrink-wrapped	4001116880278	4001116882272	
E mahogany	56.0 mm	shrink-wrapped	4001116880261	4001116882265	
F walnut	56.0 mm	shrink-wrapped	4001116880285	4001116882289	
G cork	56.0 mm	shrink-wrapped	4001116890215		

## Profiles for parquet, laminate and designer floors clipstech<sup>®</sup>-vario and clipstech<sup>®</sup> system profiles

### Wall edging profile



ALX



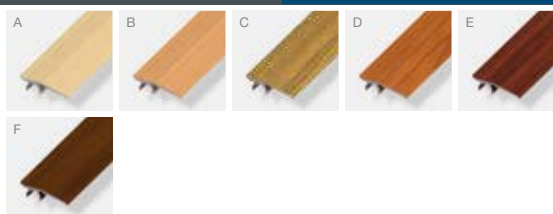
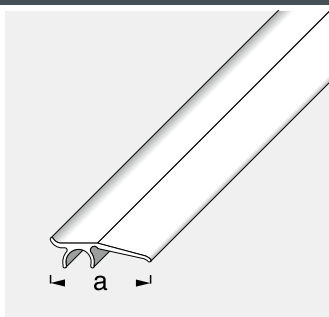
Min. OU: 5 pcs.

2.09-2.11

· Without interference from screws

Anodized aluminium			length: 1.00 m	length: 2.00 m	length: 2.70 m
Colour	Dim. a	Packaging	EAN/Item no.	EAN/Item no.	EAN/Item no.
A silver	32.0mm	shrink-wrapped	4001116880308	4001116882302	4001116884306
B brass	32.0mm	shrink-wrapped	4001116880315	4001116882319	4001116884313
C bronze	32.0mm	shrink-wrapped	4001116880322	4001116882326	4001116884320
D champagne	32.0mm	shrink-wrapped	4001116880391	4001116882395	4001116884399
E titanium	32.0mm	shrink-wrapped	4001116890307	4001116892301	4001116894305

### Wall edging profile



ALP



Min. OU: 5 pcs.

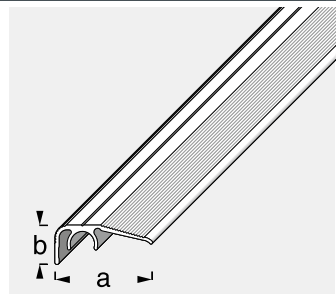
2.09-2.11

· Without interference from screws

Powder-coated aluminium			length: 1.00 m	length: 2.00 m	length: 2.70 m
Colour	Dim. a	Packaging	EAN/Item no.	EAN/Item no.	EAN/Item no.
A maple	32.0mm	shrink-wrapped		4001116882333	4001116884337
B beech	32.0mm	shrink-wrapped	4001116880346	4001116882340	4001116884344
C oak	32.0mm	shrink-wrapped	4001116880353	4001116882357	4001116884351
D cherry	32.0mm	shrink-wrapped		4001116882371	4001116884375
E mahogany	32.0mm	shrink-wrapped		4001116882364	4001116884368
F walnut	32.0mm	shrink-wrapped		4001116882388	4001116884382

## Profiles for parquet, laminate and designer floors clipstech<sup>®</sup>-vario and clipstech<sup>®</sup> system profiles

### Edging profile, 12.5 mm



ALX

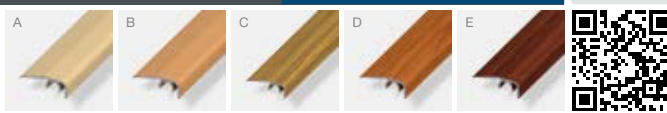
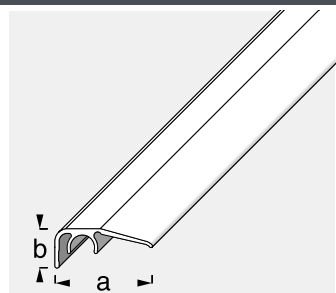
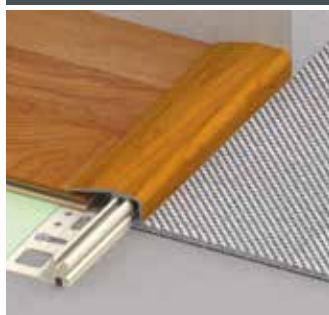
Min. OU: 5 pcs.

2.09-2.11

· Without interference from screws

Anodized aluminium				length: 1.00 m	length: 2.00 m	length: 2.70 m
Colour	Dim. a	Dim. b	Packaging	EAN / Item no.	EAN / Item no.	EAN / Item no.
A silver	32.0 mm	12.5 mm	shrink-wrapped	4001116880407	4001116882401	4001116884405
B brass	32.0 mm	12.5 mm	shrink-wrapped	4001116880414	4001116882418	4001116884412
C bronze	32.0 mm	12.5 mm	shrink-wrapped	4001116880421	4001116882425	4001116884429
D champagne	32.0 mm	12.5 mm	shrink-wrapped	4001116880490		4001116884498
E titanium	32.0 mm	12.5 mm	shrink-wrapped	4001116890406	4001116892400	4001116894404

### Edging profile, 12.5 mm



ALP

Min. OU: 5 pcs.

2.09-2.11

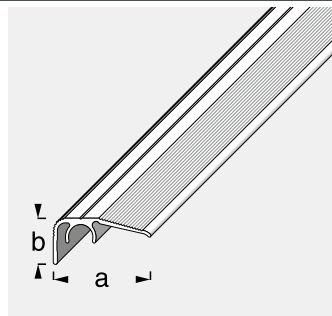
· Without interference from screws

Powder-coated aluminium				length: 1.00 m	length: 2.00 m	length: 2.70 m
Colour	Dim. a	Dim. b	Packaging	EAN / Item no.	EAN / Item no.	EAN / Item no.
A maple	32.0 mm	12.5 mm	shrink-wrapped	4001116880438	4001116882432	4001116884436
B beech	32.0 mm	12.5 mm	shrink-wrapped	4001116880445	4001116882449	4001116884443
C oak	32.0 mm	12.5 mm	shrink-wrapped	4001116880452	4001116882456	4001116884450
D cherry	32.0 mm	12.5 mm	shrink-wrapped	4001116880476	4001116882470	4001116884474
E mahogany	32.0 mm	12.5 mm	shrink-wrapped	4001116880469	4001116882463	4001116884467
F walnut	32.0 mm	12.5 mm	shrink-wrapped	4001116880483	4001116882487	4001116884481

Building-material catalogue | 97052 | 01.2017 | 71708

# Profiles for parquet, laminate and designer floors clipstech<sup>®</sup>-vario and clipstech<sup>®</sup> system profiles

## Edging profile, 15 mm



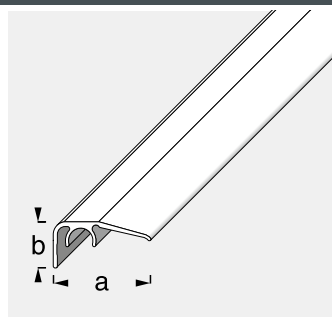
ALX

Min. OU: 5 pcs.  
2.09-2.11

· Without interference from screws

Anodized aluminium				length: 1.00 m	length: 2.00 m	length: 2.70 m
Colour	Dim. a	Dim. b	Packaging	EAN / Item no.	EAN / Item no.	EAN / Item no.
A silver	32.0 mm	15.0 mm	shrink-wrapped	4001116880506	4001116882500	4001116884504
B brass	32.0 mm	15.0 mm	shrink-wrapped	4001116880513	4001116882517	4001116884511
C bronze	32.0 mm	15.0 mm	shrink-wrapped	4001116880520		4001116884528
D champagne	32.0 mm	15.0 mm	shrink-wrapped			4001116884597
E titanium	32.0 mm	15.0 mm	shrink-wrapped	4001116890505	4001116892509	4001116894503

## Edging profile, 15 mm



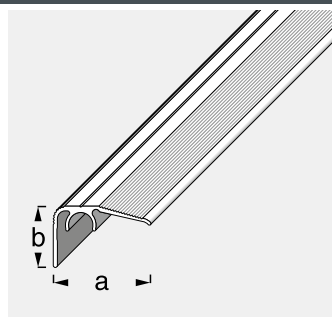
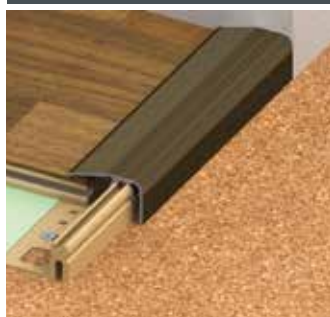
ALP

Min. OU: 5 pcs.  
2.09-2.11

· Without interference from screws

Powder-coated aluminium				length: 1.00 m
Colour	Dim. a	Dim. b	Packaging	EAN / Item no.
A beech	32.0 mm	15.0 mm	shrink-wrapped	4001116880544
B oak	32.0 mm	15.0 mm	shrink-wrapped	4001116880551

## Edging profile, 20 mm



ALX

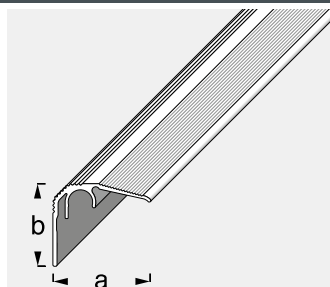
Min. OU: 5 pcs.  
2.09-2.11

· Without interference from screws

Anodized aluminium				length: 1.00 m	length: 2.00 m	length: 2.70 m
Colour	Dim. a	Dim. b	Packaging	EAN / Item no.	EAN / Item no.	EAN / Item no.
A silver	32.0 mm	20.0 mm	shrink-wrapped	4001116880605	4001116882609	4001116884603
B brass	32.0 mm	20.0 mm	shrink-wrapped	4001116880612	4001116882616	4001116884610
C bronze	32.0 mm	20.0 mm	shrink-wrapped	4001116880629	4001116882623	4001116884627
D champagne	32.0 mm	20.0 mm	shrink-wrapped	4001116880698	4001116882692	4001116884696
E titanium	32.0 mm	20.0 mm	shrink-wrapped	4001116890604	4001116892608	4001116894602

## Profiles for parquet, laminate and designer floors clipstech<sup>®</sup>-vario and clipstech<sup>®</sup> system profiles

### Edging profile, 27 mm



ALX



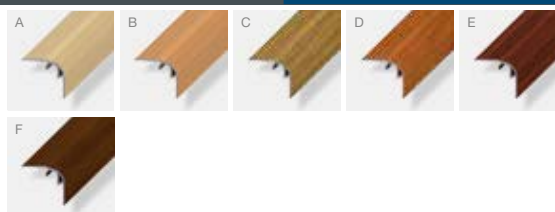
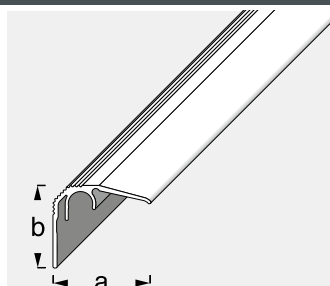
Min. OU: 5 pcs.

2.09-2.11

· Without interference from screws

Anodized aluminium				length: 1.00 m	length: 2.00 m	length: 2.70 m
Colour	Dim. a	Dim. b	Packaging	EAN / Item no.	EAN / Item no.	EAN / Item no.
A silver	32.0 mm	27.0 mm	shrink-wrapped	4001116880704	4001116882708	4001116884702
B brass	32.0 mm	27.0 mm	shrink-wrapped	4001116880711	4001116882715	4001116884719
C bronze	32.0 mm	27.0 mm	shrink-wrapped	4001116880728	4001116882722	4001116884726
D champagne	32.0 mm	27.0 mm	shrink-wrapped	4001116880797	4001116882791	4001116884795
E titanium	32.0 mm	27.0 mm	shrink-wrapped	4001116890703	4001116892707	4001116894701

### Edging profile, 27 mm



ALP



Min. OU: 5 pcs.

2.09-2.11

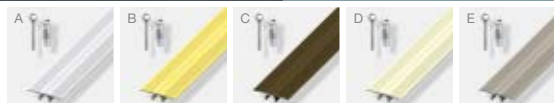
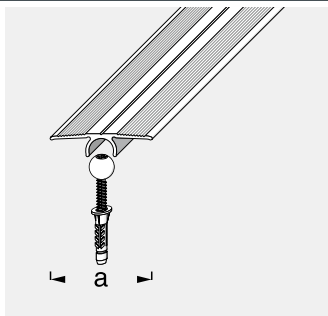
· Without interference from screws

Powder-coated aluminium				length: 1.00 m
Colour	Dim. a	Dim. b	Packaging	EAN / Item no.
A maple	32.0 mm	27.0 mm	shrink-wrapped	4001116880735
B beech	32.0 mm	27.0 mm	shrink-wrapped	4001116880742
C oak	32.0 mm	27.0 mm	shrink-wrapped	4001116880759
D cherry	32.0 mm	27.0 mm	shrink-wrapped	4001116880773
E mahogany	32.0 mm	27.0 mm	shrink-wrapped	4001116880766
F walnut	32.0 mm	27.0 mm	shrink-wrapped	4001116880780

# Profiles for parquet, laminate and designer floors clipstech<sup>®</sup>-vario and clipstech<sup>®</sup> system profiles

## Cover strip, flat, 33 mm, and plug system

ALX



Min. OU: 5 pcs.

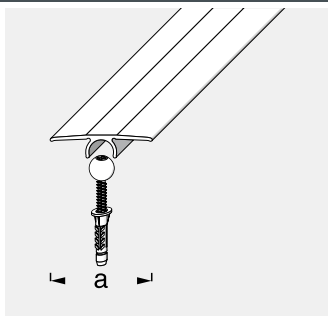
2.12

- Without interference from screws
- The contents of the **clipstech<sup>®</sup>-vario** complete set: 5 × ball screws with plugs, 1 × anodized cover strip, flat

Anodized aluminium						length: 0.90 m
Colour	Covering height min.	Covering height max.	Dim. a	Packaging	EAN / Item no.	
A silver	7.0 mm	20.0 mm	33.0 mm	shrink-wrapped	400111684628 1	
A silver	7.0 mm	20.0 mm	33.0 mm	shrink-wrapped SS	400111654628 0	
B brass	7.0 mm	20.0 mm	33.0 mm	shrink-wrapped	400111684629 8	
B brass	7.0 mm	20.0 mm	33.0 mm	shrink-wrapped SS	400111654629 7	
C bronze	7.0 mm	20.0 mm	33.0 mm	shrink-wrapped	400111684630 4	
C bronze	7.0 mm	20.0 mm	33.0 mm	shrink-wrapped SS	400111654630 3	
D champagne	7.0 mm	20.0 mm	33.0 mm	shrink-wrapped	400111684631 1	
D champagne	7.0 mm	20.0 mm	33.0 mm	shrink-wrapped SS	400111654631 0	
E titanium	7.0 mm	20.0 mm	33.0 mm	shrink-wrapped	400111684632 8	
E titanium	7.0 mm	20.0 mm	33.0 mm	shrink-wrapped SS	400111654632 7	

## Cover strip, flat, 33 mm, and plug system

ALP



Min. OU: 5 pcs.

2.12

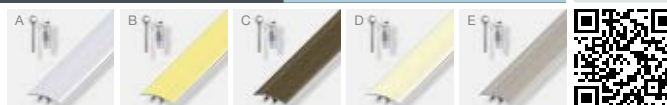
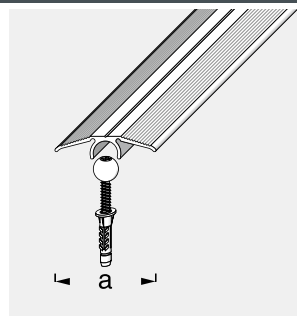
- Without interference from screws
- The contents of the **clipstech<sup>®</sup>-vario** complete set: 5 × ball screws with plugs, 1 × powder-coated cover strip, flat

Powder-coated aluminium						length: 0.90 m
Colour	Covering height min.	Covering height max.	Dim. a	Packaging	EAN / Item no.	
A maple	7.0 mm	20.0 mm	33.0 mm	shrink-wrapped	400111684633 5	
A maple	7.0 mm	20.0 mm	33.0 mm	shrink-wrapped SS	400111654633 4	
B beech	7.0 mm	20.0 mm	33.0 mm	shrink-wrapped	400111684634 2	
B beech	7.0 mm	20.0 mm	33.0 mm	shrink-wrapped SS	400111654634 1	
C oak	7.0 mm	20.0 mm	33.0 mm	shrink-wrapped	400111684635 9	
C oak	7.0 mm	20.0 mm	33.0 mm	shrink-wrapped SS	400111654635 8	
D cherry	7.0 mm	20.0 mm	33.0 mm	shrink-wrapped	400111684637 3	
D cherry	7.0 mm	20.0 mm	33.0 mm	shrink-wrapped SS	400111654637 2	
E mahogany	7.0 mm	20.0 mm	33.0 mm	shrink-wrapped	400111684636 6	
E mahogany	7.0 mm	20.0 mm	33.0 mm	shrink-wrapped SS	400111654636 5	
F walnut	7.0 mm	20.0 mm	33.0 mm	shrink-wrapped	400111684638 0	
F walnut	7.0 mm	20.0 mm	33.0 mm	shrink-wrapped SS	400111654638 9	
G cork	7.0 mm	20.0 mm	33.0 mm	shrink-wrapped	400111684639 7	
G cork	7.0 mm	20.0 mm	33.0 mm	shrink-wrapped SS	400111654639 6	

# Profiles for parquet, laminate and designer floors clipstech<sup>®</sup>-vario and clipstech<sup>®</sup> system profiles

## Cover strip, 33 mm, and plug system

ALX



Min. OU: 5 pcs.

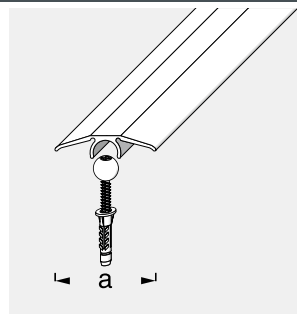
2.12

- Without interference from screws
- The contents of the **clipstech<sup>®</sup>-vario** complete set: 5 x ball screws with plugs, 1 x anodized cover strip

Anodized aluminium					length: 0.90 m
Colour	Covering height min.	Covering height max.	Dim. a	Packaging	EAN / Item no.
A silver	6.0 mm	20.0 mm	33.0 mm	shrink-wrapped	4001116 845000
A silver	6.0 mm	20.0 mm	33.0 mm	shrink-wrapped SS	4001116 545009
B brass	6.0 mm	20.0 mm	33.0 mm	shrink-wrapped	4001116 845017
B brass	6.0 mm	20.0 mm	33.0 mm	shrink-wrapped SS	4001116 545016
C bronze	6.0 mm	20.0 mm	33.0 mm	shrink-wrapped	4001116 845024
C bronze	6.0 mm	20.0 mm	33.0 mm	shrink-wrapped SS	4001116 545023
D champagne	6.0 mm	20.0 mm	33.0 mm	shrink-wrapped	4001116 845031
D champagne	6.0 mm	20.0 mm	33.0 mm	shrink-wrapped SS	4001116 545030
E titanium	6.0 mm	20.0 mm	33.0 mm	shrink-wrapped	4001116 845048
E titanium	6.0 mm	20.0 mm	33.0 mm	shrink-wrapped SS	4001116 545047

## Cover strip, 33 mm, and plug system

ALP



Min. OU: 5 pcs.

2.12

- Without interference from screws
- The contents of the **clipstech<sup>®</sup>-vario** complete set: 5 x ball screws with plugs, 1 x powder-coated cover strip

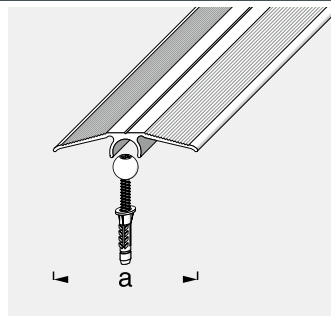
Powder-coated aluminium					length: 0.90 m
Colour	Covering height min.	Covering height max.	Dim. a	Packaging	EAN / Item no.
A maple	6.0 mm	20.0 mm	33.0 mm	shrink-wrapped	4001116 845055
A maple	6.0 mm	20.0 mm	33.0 mm	shrink-wrapped SS	4001116 545054
B beech	6.0 mm	20.0 mm	33.0 mm	shrink-wrapped	4001116 845062
B beech	6.0 mm	20.0 mm	33.0 mm	shrink-wrapped SS	4001116 545061
C oak	6.0 mm	20.0 mm	33.0 mm	shrink-wrapped	4001116 845079
C oak	6.0 mm	20.0 mm	33.0 mm	shrink-wrapped SS	4001116 545078
D cherry	6.0 mm	20.0 mm	33.0 mm	shrink-wrapped	4001116 845093
D cherry	6.0 mm	20.0 mm	33.0 mm	shrink-wrapped SS	4001116 545092
E mahogany	6.0 mm	20.0 mm	33.0 mm	shrink-wrapped	4001116 845086
E mahogany	6.0 mm	20.0 mm	33.0 mm	shrink-wrapped SS	4001116 545085
F walnut	6.0 mm	20.0 mm	33.0 mm	shrink-wrapped	4001116 845109
F walnut	6.0 mm	20.0 mm	33.0 mm	shrink-wrapped SS	4001116 545108
G cork	6.0 mm	20.0 mm	33.0 mm	shrink-wrapped	4001116 845116
G cork	6.0 mm	20.0 mm	33.0 mm	shrink-wrapped SS	4001116 545115



## Profiles for parquet, laminate and designer floors clipstech<sup>®</sup>-vario and clipstech<sup>®</sup> system profiles

### Cover strip, 46 mm, and plug system

ALX



Min. OU: 5 pcs.

2.12

- Without interference from screws
- The contents of the **clipstech**<sup>®</sup>-vario complete set: 5 × ball screws with plugs, 1 × anodized cover strip

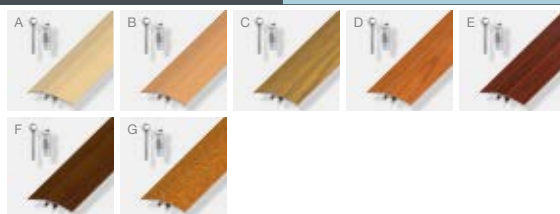
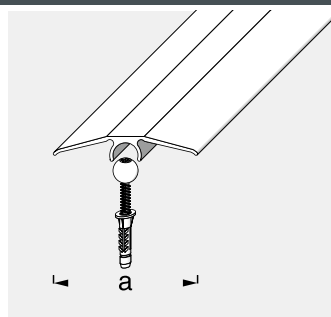
#### Anodized aluminium

length: 0.90 m

Colour	Covering height min.	Covering height max.	Dim. a	Packaging	EAN / Item no.
A silver	6.0mm	20.0mm	46.0mm	shrink-wrapped	400111684516 1
B brass	6.0mm	20.0mm	46.0mm	shrink-wrapped	400111684517 8
C bronze	6.0mm	20.0mm	46.0mm	shrink-wrapped	400111684518 5
D champagne	6.0mm	20.0mm	46.0mm	shrink-wrapped	400111684519 2
E titanium	6.0mm	20.0mm	46.0mm	shrink-wrapped	400111684520 8

### Cover strip, 46 mm, and plug system

ALP



Min. OU: 5 pcs.

2.12

- Without interference from screws
- The contents of the **clipstech**<sup>®</sup>-vario complete set: 5 × ball screws with plugs, 1 × powder-coated cover strip

#### Powder-coated aluminium

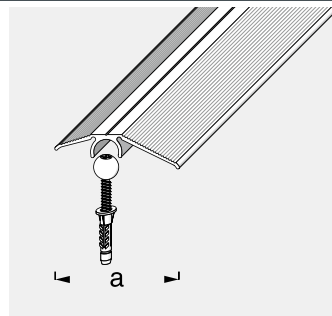
length: 0.90 m

Colour	Covering height min.	Covering height max.	Dim. a	Packaging	EAN / Item no.
A maple	6.0mm	20.0mm	46.0mm	shrink-wrapped	400111684521 5
B beech	6.0mm	20.0mm	46.0mm	shrink-wrapped	400111684522 2
C oak	6.0mm	20.0mm	46.0mm	shrink-wrapped	400111684523 9
D cherry	6.0mm	20.0mm	46.0mm	shrink-wrapped	400111684525 3
E mahogany	6.0mm	20.0mm	46.0mm	shrink-wrapped	400111684524 6
F walnut	6.0mm	20.0mm	46.0mm	shrink-wrapped	400111684526 0
G cork	6.0mm	20.0mm	46.0mm	shrink-wrapped	400111684527 7

## Profiles for parquet, laminate and designer floors clipstech<sup>®</sup>-vario and clipstech<sup>®</sup> system profiles

### Level compensator profile, 40 mm, and plug system

ALX



Min. OU: 5 pcs.

2.12

- Without interference from screws
- The contents of the **clipstech<sup>®</sup>-vario** complete set: 5 × ball screws with plugs, 1 × anodized level compensator profile

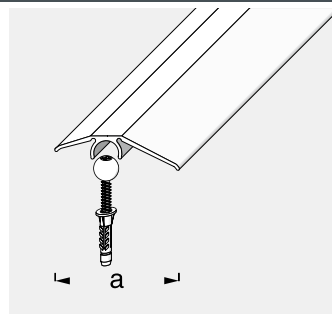
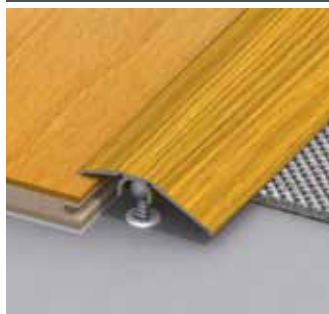
#### Anodized aluminium

length: 0.90 m

Colour	Covering height min.	Covering height max.	Dim. a	Packaging	EAN / Item no.
A silver	6.0mm	20.0mm	40.0mm	shrink-wrapped	4001116 84532 1
A silver	6.0mm	20.0mm	40.0mm	shrink-wrapped SS	4001116 54532 0
B brass	6.0mm	20.0mm	40.0mm	shrink-wrapped	4001116 84533 8
B brass	6.0mm	20.0mm	40.0mm	shrink-wrapped SS	4001116 54533 7
C bronze	6.0mm	20.0mm	40.0mm	shrink-wrapped	4001116 84534 5
C bronze	6.0mm	20.0mm	40.0mm	shrink-wrapped SS	4001116 54534 4
D champagne	6.0mm	20.0mm	40.0mm	shrink-wrapped	4001116 84535 2
D champagne	6.0mm	20.0mm	40.0mm	shrink-wrapped SS	4001116 54535 1
E titanium	6.0mm	20.0mm	40.0mm	shrink-wrapped	4001116 84536 9
E titanium	6.0mm	20.0mm	40.0mm	shrink-wrapped SS	4001116 54536 8

### Level compensator profile, 40 mm, and plug system

ALP



Min. OU: 5 pcs.

2.12

- Without interference from screws
- The contents of the **clipstech<sup>®</sup>-vario** complete set: 5 × ball screws with plugs, 1 × powder-coated level compensator profile

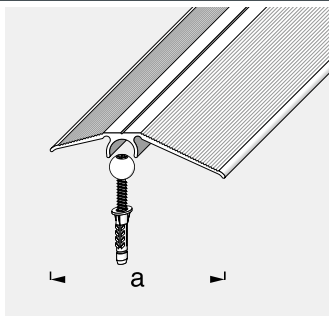
#### Powder-coated aluminium

length: 0.90 m

Colour	Covering height min.	Covering height max.	Dim. a	Packaging	EAN / Item no.
A maple	6.0mm	20.0mm	40.0mm	shrink-wrapped	4001116 84537 6
A maple	6.0mm	20.0mm	40.0mm	shrink-wrapped SS	4001116 54537 5
B beech	6.0mm	20.0mm	40.0mm	shrink-wrapped	4001116 84538 3
B beech	6.0mm	20.0mm	40.0mm	shrink-wrapped SS	4001116 54538 2
C oak	6.0mm	20.0mm	40.0mm	shrink-wrapped	4001116 84539 0
C oak	6.0mm	20.0mm	40.0mm	shrink-wrapped SS	4001116 54539 9
D cherry	6.0mm	20.0mm	40.0mm	shrink-wrapped	4001116 84541 3
E mahogany	6.0mm	20.0mm	40.0mm	shrink-wrapped	4001116 84540 6
E mahogany	6.0mm	20.0mm	40.0mm	shrink-wrapped SS	4001116 54540 5
F walnut	6.0mm	20.0mm	40.0mm	shrink-wrapped	4001116 84542 0
F walnut	6.0mm	20.0mm	40.0mm	shrink-wrapped SS	4001116 54542 9
G cork	6.0mm	20.0mm	40.0mm	shrink-wrapped	4001116 84543 7

## Profiles for parquet, laminate and designer floors clipstech<sup>®</sup>-vario and clipstech<sup>®</sup> system profiles

### Level compensator profile, 56 mm, and plug system



ALX



Min. OU: 5 pcs.

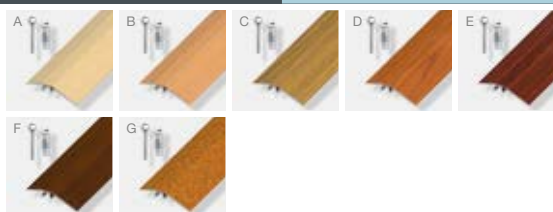
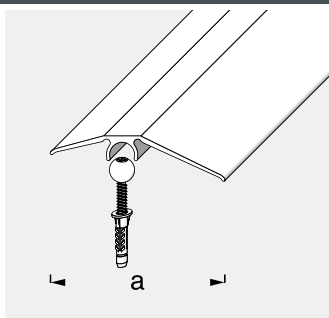
2.12

- Without interference from screws
- The contents of the **clipstech<sup>®</sup>-vario** complete set: 5 × ball screws with plugs, 1 × anodized level compensator profile

#### Anodized aluminium

Colour	Covering height min.	Covering height max.	Dim. a	Packaging	length: 0.90 m EAN / Item no.
A silver	6.0 mm	20.0 mm	56.0 mm	shrink-wrapped	400111684548 2
A silver	6.0 mm	20.0 mm	56.0 mm	shrink-wrapped SS	400111654548 1
B brass	6.0 mm	20.0 mm	56.0 mm	shrink-wrapped	400111684549 9
B brass	6.0 mm	20.0 mm	56.0 mm	shrink-wrapped SS	400111654549 8
C bronze	6.0 mm	20.0 mm	56.0 mm	shrink-wrapped	400111684550 5
D champagne	6.0 mm	20.0 mm	56.0 mm	shrink-wrapped	400111684551 2
D champagne	6.0 mm	20.0 mm	56.0 mm	shrink-wrapped SS	400111654551 1
E titanium	6.0 mm	20.0 mm	56.0 mm	shrink-wrapped	400111684552 9
E titanium	6.0 mm	20.0 mm	56.0 mm	shrink-wrapped SS	400111654552 8

### Level compensator profile, 56 mm, and plug system



ALP



Min. OU: 5 pcs.

2.12

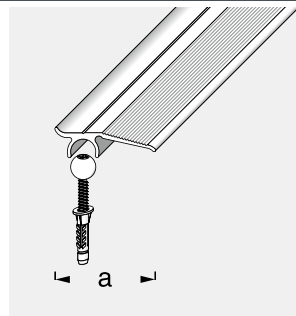
- Without interference from screws
- The contents of the **clipstech<sup>®</sup>-vario** complete set: 5 × ball screws with plugs, 1 × powder-coated level compensator profile

#### Powder-coated aluminium

Colour	Covering height min.	Covering height max.	Dim. a	Packaging	length: 0.90 m EAN / Item no.
A maple	6.0 mm	20.0 mm	56.0 mm	shrink-wrapped	400111684553 6
A maple	6.0 mm	20.0 mm	56.0 mm	shrink-wrapped SS	400111654553 5
B beech	6.0 mm	20.0 mm	56.0 mm	shrink-wrapped	400111684554 3
B beech	6.0 mm	20.0 mm	56.0 mm	shrink-wrapped SS	400111654554 2
C oak	6.0 mm	20.0 mm	56.0 mm	shrink-wrapped	400111684555 0
C oak	6.0 mm	20.0 mm	56.0 mm	shrink-wrapped SS	400111654555 9
D cherry	6.0 mm	20.0 mm	56.0 mm	shrink-wrapped	400111684557 4
E mahagony	6.0 mm	20.0 mm	56.0 mm	shrink-wrapped	400111684556 7
F walnut	6.0 mm	20.0 mm	56.0 mm	shrink-wrapped	400111684558 1
F walnut	6.0 mm	20.0 mm	56.0 mm	shrink-wrapped SS	400111654558 0
G cork	6.0 mm	20.0 mm	56.0 mm	shrink-wrapped	400111684559 8

## Profiles for parquet, laminate and designer floors clipstech<sup>®</sup>-vario and clipstech<sup>®</sup> system profiles

### Wall edging profile, 32 mm, and plug system



ALX

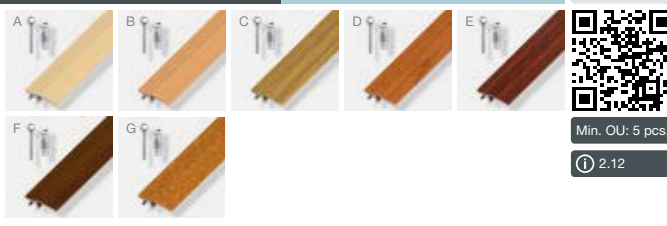
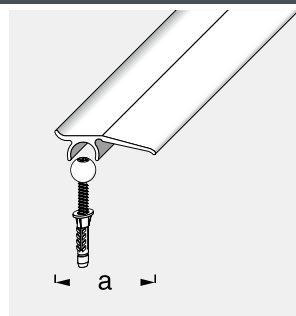
Min. OU: 5 pcs.

2.12

- Without interference from screws
- The contents of the **clipstech**<sup>®</sup>-vario complete set: 5 × ball screws with plugs, 1 × anodized wall edging profile

Anodized aluminium					length: 0.90 m
Colour	Covering height min.	Covering height max.	Dim. a	Packaging	EAN / Item no.
A silver	6.0mm	20.0mm	32.0mm	shrink-wrapped	4001116 84564 2
A silver	6.0mm	20.0mm	32.0mm	shrink-wrapped SS	4001116 54564 1
B brass	6.0mm	20.0mm	32.0mm	shrink-wrapped	4001116 84565 9
B brass	6.0mm	20.0mm	32.0mm	shrink-wrapped SS	4001116 54565 8
C bronze	6.0mm	20.0mm	32.0mm	shrink-wrapped	4001116 84566 6
D champagne	6.0mm	20.0mm	32.0mm	shrink-wrapped	4001116 84567 3
D champagne	6.0mm	20.0mm	32.0mm	shrink-wrapped SS	4001116 54567 2
E titanium	6.0mm	20.0mm	32.0mm	shrink-wrapped	4001116 84568 0
E titanium	6.0mm	20.0mm	32.0mm	shrink-wrapped SS	4001116 54568 9

### Wall edging profile, 32 mm, and plug system



ALP

Min. OU: 5 pcs.

2.12

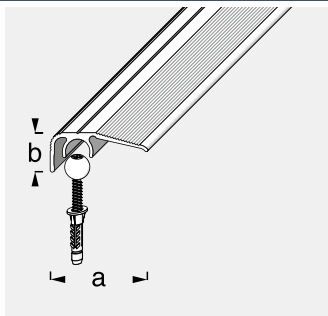
- Without interference from screws
- The contents of the **clipstech**<sup>®</sup>-vario complete set: 5 × ball screws with plugs, 1 × powder-coated wall edging profile

Powder-coated aluminium					length: 0.90 m
Colour	Covering height min.	Covering height max.	Dim. a	Packaging	EAN / Item no.
A maple	6.0mm	20.0mm	32.0mm	shrink-wrapped	4001116 84569 7
A maple	6.0mm	20.0mm	32.0mm	shrink-wrapped SS	4001116 54569 6
B beech	6.0mm	20.0mm	32.0mm	shrink-wrapped	4001116 84570 3
B beech	6.0mm	20.0mm	32.0mm	shrink-wrapped SS	4001116 54570 2
C oak	6.0mm	20.0mm	32.0mm	shrink-wrapped	4001116 84571 0
D cherry	6.0mm	20.0mm	32.0mm	shrink-wrapped	4001116 84573 4
E mahogany	6.0mm	20.0mm	32.0mm	shrink-wrapped	4001116 84572 7
F walnut	6.0mm	20.0mm	32.0mm	shrink-wrapped	4001116 84574 1
F walnut	6.0mm	20.0mm	32.0mm	shrink-wrapped SS	4001116 54574 0
G cork	6.0mm	20.0mm	32.0mm	shrink-wrapped	4001116 84575 8

Building-material catalogue | 197052 | 01 2017 | 71708

## Profiles for parquet, laminate and designer floors clipstech<sup>®</sup>-vario and clipstech<sup>®</sup> system profiles

### Edging profile, 12.5 mm, and plug system



ALX



Min. OU: 5 pcs.

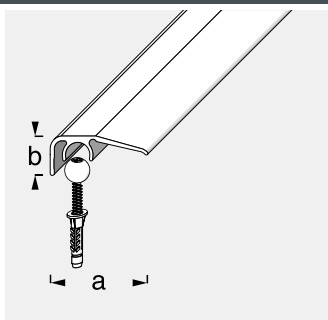
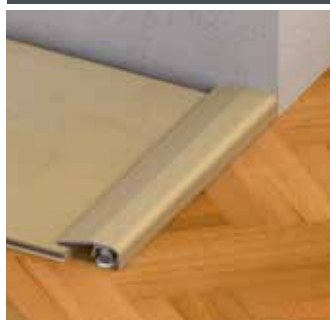
2.12

- Without interference from screws
- The contents of the **clipstech<sup>®</sup>-vario** complete set: 5 × ball screws with plugs, 1 × anodized edging profile

#### Anodized aluminium

Colour	Covering height min.	Covering height max.	Dim. a	Dim. b	Packaging	length: 0.90 m EAN / Item no.
A silver	6.0 mm	8.0 mm	32.0 mm	12.5 mm	shrink-wrapped	400111684580 2
A silver	6.0 mm	8.0 mm	32.0 mm	12.5 mm	shrink-wrapped SS	400111654580 1
B brass	6.0 mm	8.0 mm	32.0 mm	12.5 mm	shrink-wrapped	400111684581 9
B brass	6.0 mm	8.0 mm	32.0 mm	12.5 mm	shrink-wrapped SS	400111654581 8
C bronze	6.0 mm	8.0 mm	32.0 mm	12.5 mm	shrink-wrapped	400111684582 6
D champagne	6.0 mm	8.0 mm	32.0 mm	12.5 mm	shrink-wrapped	400111684583 3
E titanium	6.0 mm	8.0 mm	32.0 mm	12.5 mm	shrink-wrapped	400111684584 0

### Edging profile, 12.5 mm, and plug system



ALP



Min. OU: 5 pcs.

2.12

- Without interference from screws
- The contents of the **clipstech<sup>®</sup>-vario** complete set: 5 × ball screws with plugs, 1 × powder-coated edging profile

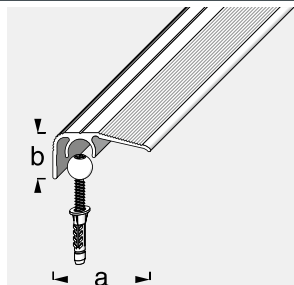
#### Powder-coated aluminium

Colour	Covering height min.	Covering height max.	Dim. a	Dim. b	Packaging	length: 0.90 m EAN / Item no.
A maple	6.0 mm	8.0 mm	32.0 mm	12.5 mm	shrink-wrapped	400111684585 7
B beech	6.0 mm	8.0 mm	32.0 mm	12.5 mm	shrink-wrapped	400111684586 4
B beech	6.0 mm	8.0 mm	32.0 mm	12.5 mm	shrink-wrapped SS	400111654586 3
C oak	6.0 mm	8.0 mm	32.0 mm	12.5 mm	shrink-wrapped	400111684587 1
D cherry	6.0 mm	8.0 mm	32.0 mm	12.5 mm	shrink-wrapped	400111684589 5
E mahogany	6.0 mm	8.0 mm	32.0 mm	12.5 mm	shrink-wrapped	400111684588 8
F walnut	6.0 mm	8.0 mm	32.0 mm	12.5 mm	shrink-wrapped	400111684590 1
G cork	6.0 mm	8.0 mm	32.0 mm	12.5 mm	shrink-wrapped	400111684591 8

## Profiles for parquet, laminate and designer floors clipstech<sup>®</sup>-vario and clipstech<sup>®</sup> system profiles

### Edging profile, 15 mm, and plug system

ALX



Min. OU: 5 pcs.

2.12

- Without interference from screws
- The contents of the **clipstech**<sup>®</sup>-vario complete set: 5 × ball screws with plugs, 1 × anodized edging profile

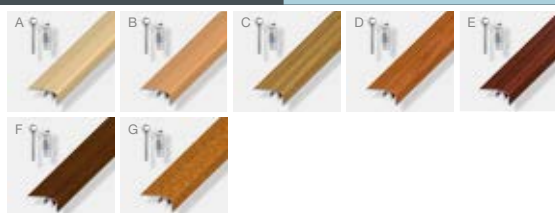
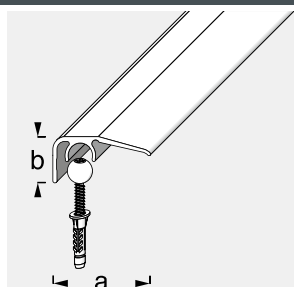
#### Anodized aluminium

length: 0.90 m

Colour	Covering height min.	Covering height max.	Dim. a	Dim. b	Packaging	EAN / Item no.
A silver	8.5mm	10.5mm	32.0mm	15.0mm	shrink-wrapped	4001116 <b>845963</b>
A silver	8.5mm	10.5mm	32.0mm	15.0mm	shrink-wrapped SS	4001116 <b>545962</b>
B brass	8.5mm	10.5mm	32.0mm	15.0mm	shrink-wrapped	4001116 <b>845970</b>
C bronze	8.5mm	10.5mm	32.0mm	15.0mm	shrink-wrapped	4001116 <b>845987</b>
D champagne	8.5mm	10.5mm	32.0mm	15.0mm	shrink-wrapped	4001116 <b>845994</b>
E titanium	8.5mm	10.5mm	32.0mm	15.0mm	shrink-wrapped	4001116 <b>846007</b>

### Edging profile, 15 mm, and plug system

ALP



Min. OU: 5 pcs.

2.12

- Without interference from screws
- The contents of the **clipstech**<sup>®</sup>-vario complete set: 5 × ball screws with plugs, 1 × powder-coated edging profile

#### Powder-coated aluminium

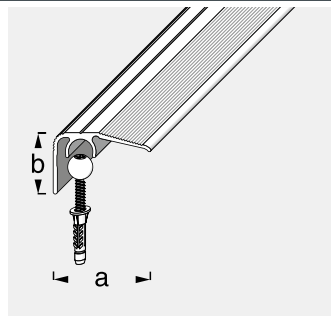
length: 0.90 m

Colour	Covering height min.	Covering height max.	Dim. a	Dim. b	Packaging	EAN / Item no.
A maple	8.5mm	10.5mm	32.0mm	15.0mm	shrink-wrapped	4001116 <b>846014</b>
B beech	8.5mm	10.5mm	32.0mm	15.0mm	shrink-wrapped	4001116 <b>846021</b>
C oak	8.5mm	10.5mm	32.0mm	15.0mm	shrink-wrapped	4001116 <b>846038</b>
D cherry	8.5mm	10.5mm	32.0mm	15.0mm	shrink-wrapped	4001116 <b>846052</b>
E mahogany	8.5mm	10.5mm	32.0mm	15.0mm	shrink-wrapped	4001116 <b>846045</b>
F walnut	8.5mm	10.5mm	32.0mm	15.0mm	shrink-wrapped	4001116 <b>846069</b>
G cork	8.5mm	10.5mm	32.0mm	15.0mm	shrink-wrapped	4001116 <b>846076</b>

## Profiles for parquet, laminate and designer floors clipstech<sup>®</sup>-vario and clipstech<sup>®</sup> system profiles

### Edging profile, 20 mm, and plug system

ALX



Min. OU: 5 pcs.

2.12

- Without interference from screws
- The contents of the **clipstech**<sup>®</sup>-vario complete set: 5 × ball screws with plugs, 1 × anodized edging profile

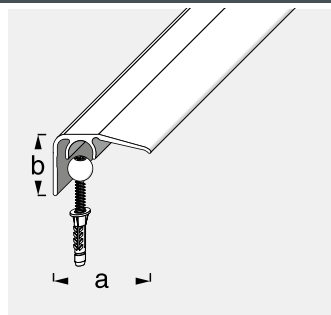
#### Anodized aluminium

length: 0.90 m

Colour	Covering height min.	Covering height max.	Dim. a	Dim. b	Packaging	EAN / Item no.
A silver	13.5 mm	15.5 mm	32.0 mm	20.0 mm	shrink-wrapped	4001116846120
B brass	13.5 mm	15.5 mm	32.0 mm	20.0 mm	shrink-wrapped	4001116846137
C bronze	13.5 mm	15.5 mm	32.0 mm	20.0 mm	shrink-wrapped	4001116846144
D champagne	13.5 mm	15.5 mm	32.0 mm	20.0 mm	shrink-wrapped	4001116846151
E titanium	13.5 mm	15.5 mm	32.0 mm	20.0 mm	shrink-wrapped	4001116846168

### Edging profile, 20 mm, and plug system

ALP



Min. OU: 5 pcs.

2.12

- Without interference from screws
- The contents of the **clipstech**<sup>®</sup>-vario complete set: 5 × ball screws with plugs, 1 × powder-coated edging profile

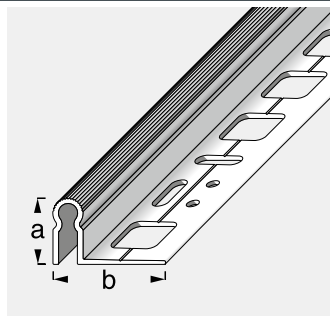
#### Powder-coated aluminium

length: 0.90 m

Colour	Covering height min.	Covering height max.	Dim. a	Dim. b	Packaging	EAN / Item no.
A maple	13.5 mm	15.5 mm	32.0 mm	20.0 mm	shrink-wrapped	4001116846175
B beech	13.5 mm	15.5 mm	32.0 mm	20.0 mm	shrink-wrapped	4001116846182
C oak	13.5 mm	15.5 mm	32.0 mm	20.0 mm	shrink-wrapped	4001116846199
D cherry	13.5 mm	15.5 mm	32.0 mm	20.0 mm	shrink-wrapped	4001116846212
E mahagony	13.5 mm	15.5 mm	32.0 mm	20.0 mm	shrink-wrapped	4001116846205
F walnut	13.5 mm	15.5 mm	32.0 mm	20.0 mm	shrink-wrapped	4001116846229
G cork	13.5 mm	15.5 mm	32.0 mm	20.0 mm	shrink-wrapped	4001116846236

## Profiles for parquet, laminate and designer floors clipstech<sup>®</sup>-plus system profiles

### Aluminium support profile with alfer<sup>®</sup>-fix



· alfer<sup>®</sup>-fix universal punching

ALU



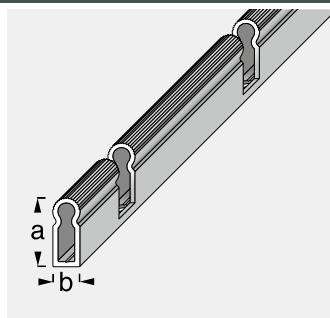
Min. OU: 5 pcs.

2.12-2.13

#### Uncoated aluminium

Colour	Dim. a	Dim. b	Packaging	length: 1.00 m	length: 2.00 m	length: 2.70 m
				EAN/Item no.	EAN/Item no.	EAN/Item no.
A uncoated	9.5 mm	30.0 mm	loose	4001116840012	4001116842016	4001116844010
A uncoated	13.0 mm	30.0 mm	loose	4001116840029	4001116842023	4001116844027
A uncoated	16.5 mm	30.0 mm	loose	4001116840036	4001116842030	4001116844034
A uncoated	20.0 mm	30.0 mm	loose	4001116840043	4001116842047	4001116844041

### Aluminium support profile Renovation



ALU



Min. OU: 5 pcs.

2.12-2.13

#### Uncoated aluminium

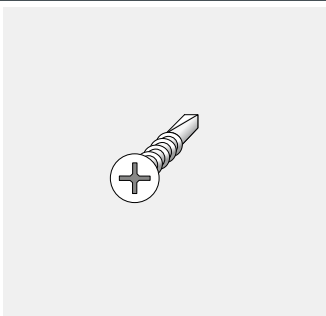
Colour	Dim. a	Dim. b	Packaging	length: 1.00 m
				EAN/Item no.
A uncoated	9.5 mm	8.0 mm	loose	4001116841019
A uncoated	13.0 mm	8.0 mm	loose	4001116841026
A uncoated	16.5 mm	8.0 mm	loose	4001116841033
A uncoated	20.0 mm	8.0 mm	loose	4001116841040



# Profiles for parquet, laminate and designer floors clipstech<sup>®</sup>-plus system profiles

## Countersunk screw, self-cutting

STA



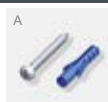
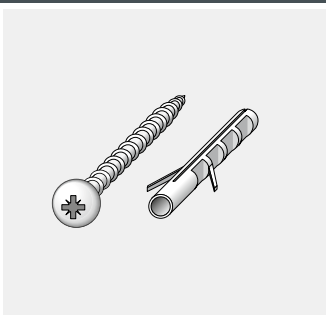
Min. OU: 5 pcs.

2.12-2.13

Steel	Colour	Screw size	Length	PU	Packaging	EAN / Item no.
A	silver	2,9 mm	9.5 mm	10 pieces	SS box	4001116843013
B	brass	2,9 mm	9.5 mm	10 pieces	SS box	4001116843020
C	bronze	2,9 mm	9.5 mm	10 pieces	SS box	4001116843037
D	champagne	2,9 mm	9.5 mm	10 pieces	SS box	4001116843044
E	titanium	2,9 mm	9.5 mm	10 pieces	SS box	4001116843051

## Oval-headed screw with plug

STA



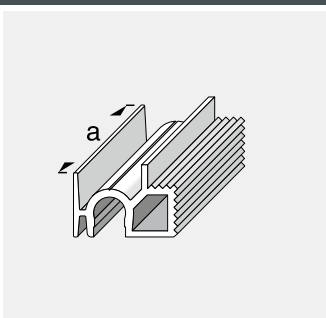
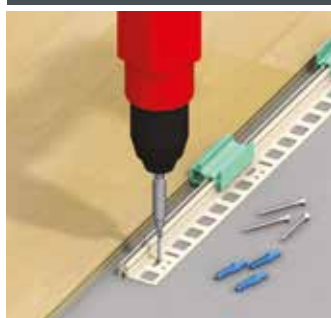
Min. OU: 5 pcs.

2.09-2.14

Galvanized steel	Screw size	Length	Plug size	PU	Packaging	EAN / Item no.
A	3,0 mm	30.0 mm	5.0 mm Ø	10 pieces	each, SS box	4001116843068

## Mounting aid

PVC



Min. OU: 5 pcs.

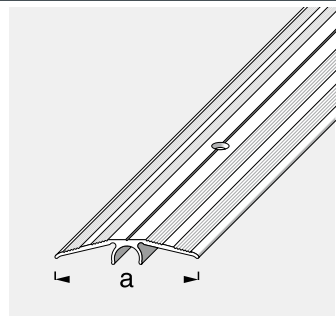
2.09-2.14

Plastic (hard PVC)	Colour	Dim. a	PU	Packaging	EAN / Item no.
A	green	50.0 mm	4 pieces	clap-pac	4001116880087

# Profiles for parquet, laminate and designer floors

## clipstech<sup>®</sup>-plus system profiles

### Cover strip, 46 mm, drilled



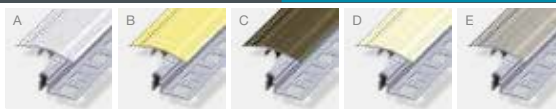
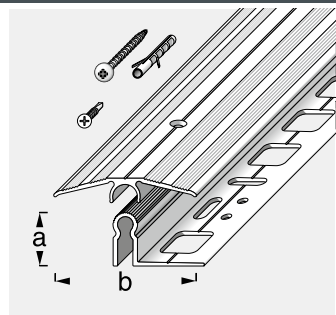
ALX

Min. OU: 5 pcs.

2.12-2.13

Anodized aluminium			length: 1.00 m	length: 2.00 m	length: 2.70 m
Colour	Dim. a	Packaging	EAN / Item no.	EAN / Item no.	EAN / Item no.
A silver	46.0 mm	shrink-wrapped	4001116840104	4001116842108	4001116844102
B brass	46.0 mm	shrink-wrapped	4001116840111	4001116842115	4001116844119
C bronze	46.0 mm	shrink-wrapped	4001116840128	4001116842122	4001116844126
D champagne	46.0 mm	shrink-wrapped	4001116840135	4001116842139	4001116844133
E titanium	46.0 mm	shrink-wrapped	4001116840142	4001116842146	4001116844140

### Cover strip, 46 mm, and support profile with alfer<sup>®</sup>-fix



ALX

Min. OU: 5 pcs.

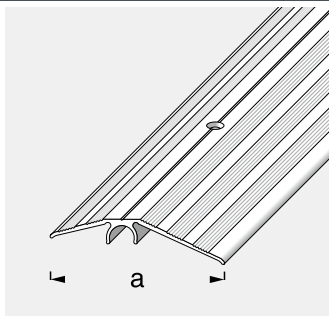
2.12-2.13

- alfer<sup>®</sup>-fix universal punching
- The contents of the clipstech<sup>®</sup>-plus complete set: 1 x aluminium support profile with alfer<sup>®</sup>-fix universal punching, 1 x anodized cover strip, 6 x round headed screws with plugs and 6 x self-cutting countersunk screws in matching colours

Anodized aluminium				length: 0.90 m
Colour	Dim. a	Dim. b	Packaging	EAN / Item no.
A silver	9.5 mm	46.0 mm	shrink-wrapped SS	4001116843105
A silver	13.0 mm	46.0 mm	shrink-wrapped SS	4001116843303
A silver	16.0 mm	46.0 mm	shrink-wrapped SS	4001116843501
A silver	20.0 mm	46.0 mm	shrink-wrapped SS	4001116843709
B brass	9.5 mm	46.0 mm	shrink-wrapped SS	4001116843112
B brass	13.0 mm	46.0 mm	shrink-wrapped SS	4001116843310
B brass	16.0 mm	46.0 mm	shrink-wrapped SS	4001116843518
B brass	20.0 mm	46.0 mm	shrink-wrapped SS	4001116843716
C bronze	9.5 mm	46.0 mm	shrink-wrapped SS	4001116843129
C bronze	13.0 mm	46.0 mm	shrink-wrapped SS	4001116843327
C bronze	16.0 mm	46.0 mm	shrink-wrapped SS	4001116843525
C bronze	20.0 mm	46.0 mm	shrink-wrapped SS	4001116843723
D champagne	9.5 mm	46.0 mm	shrink-wrapped SS	4001116843136
D champagne	13.0 mm	46.0 mm	shrink-wrapped SS	4001116843334
D champagne	16.0 mm	46.0 mm	shrink-wrapped SS	4001116843532
D champagne	20.0 mm	46.0 mm	shrink-wrapped SS	4001116843730
E titanium	9.5 mm	46.0 mm	shrink-wrapped SS	4001116843143
E titanium	13.0 mm	46.0 mm	shrink-wrapped SS	4001116843341
E titanium	16.0 mm	46.0 mm	shrink-wrapped SS	4001116843549
E titanium	20.0 mm	46.0 mm	shrink-wrapped SS	4001116843747

# Profiles for parquet, laminate and designer floors clipstech<sup>®</sup>-plus system profiles

## Level compensator profile, 56 mm, drilled



ALX



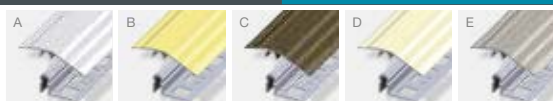
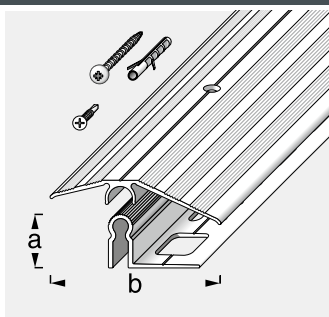
Min. OU: 5 pcs.

2.12-2.13

### Anodized aluminium

Colour	Dim. a	Packaging	length: 1.00 m EAN / Item no.	length: 2.00 m EAN / Item no.	length: 2.70 m EAN / Item no.
A silver	56.0mm	shrink-wrapped	4001116840203	4001116842207	4001116844201
B brass	56.0mm	shrink-wrapped	4001116840210	4001116842214	4001116844218
C bronze	56.0mm	shrink-wrapped	4001116840227	4001116842221	4001116844225
D champagne	56.0mm	shrink-wrapped	4001116840234	4001116842238	4001116844232
E titanium	56.0mm	shrink-wrapped	4001116840241	4001116842245	4001116844249

## Level compensator profile, 56 mm, and support profile with alfer<sup>®</sup>-fix



ALX



Min. OU: 5 pcs.

2.12-2.13

- alfer<sup>®</sup>-fix universal punching
- The contents of the clipstech<sup>®</sup>-plus complete set: 1 x aluminium support profile with alfer<sup>®</sup>-fix universal punching, 1 x anodized level compensator profile, 6 x round headed screws with plugs and 6 x self-cutting countersunk screws in matching colours

### Anodized aluminium

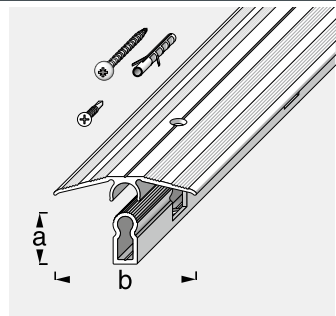
Colour	Dim. a	Dim. b	Packaging	length: 0.90 m EAN / Item no.
A silver	9.5mm	56.0mm	shrink-wrapped SS	4001116843204
A silver	13.0mm	56.0mm	shrink-wrapped SS	4001116843402
A silver	16.0mm	56.0mm	shrink-wrapped SS	4001116843600
A silver	20.0mm	56.0mm	shrink-wrapped SS	4001116843808
B brass	9.5mm	56.0mm	shrink-wrapped SS	4001116843211
B brass	13.0mm	56.0mm	shrink-wrapped SS	4001116843419
B brass	16.0mm	56.0mm	shrink-wrapped SS	4001116843617
B brass	20.0mm	56.0mm	shrink-wrapped SS	4001116843815
C bronze	9.5mm	56.0mm	shrink-wrapped SS	4001116843228
C bronze	13.0mm	56.0mm	shrink-wrapped SS	4001116843426
C bronze	16.0mm	56.0mm	shrink-wrapped SS	4001116843624
C bronze	20.0mm	56.0mm	shrink-wrapped SS	4001116843822
D champagne	9.5mm	56.0mm	shrink-wrapped SS	4001116843235
D champagne	13.0mm	56.0mm	shrink-wrapped SS	4001116843433
D champagne	16.0mm	56.0mm	shrink-wrapped SS	4001116843631
D champagne	20.0mm	56.0mm	shrink-wrapped SS	4001116843839
E titanium	9.5mm	56.0mm	shrink-wrapped SS	4001116843242
E titanium	13.0mm	56.0mm	shrink-wrapped SS	4001116843440
E titanium	16.0mm	56.0mm	shrink-wrapped SS	4001116843648
E titanium	20.0mm	56.0mm	shrink-wrapped SS	4001116843846

# Profiles for parquet, laminate and designer floors

## clipstech<sup>®</sup>-plus system profiles

### Cover strip, 46 mm, and support profile Renovation

ALX



Min. OU: 5 pcs.

2.12-2.13

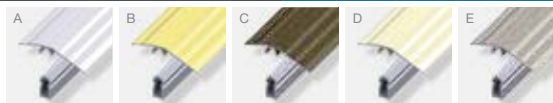
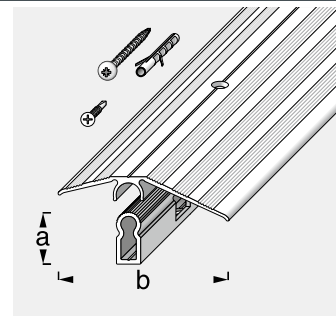
- for retrospective installation
- The contents of the **clipstech<sup>®</sup>-plus** complete set: 1 × Renovation aluminium support profile, 1 anodized cover strip, 6 × round headed screws with plugs and 6 × self-cutting countersunk screws in matching colours

Anodized aluminium					length: 0.90 m
Colour	Dim. a	Dim. b	Packaging	EAN / Item no.	
A silver	9.5 mm	46.0 mm	shrink-wrapped SS	4001116841101	
A silver	13.0 mm	46.0 mm	shrink-wrapped SS	4001116841309	
A silver	16.0 mm	46.0 mm	shrink-wrapped SS	4001116841507	
A silver	20.0 mm	46.0 mm	shrink-wrapped SS	4001116841705	
B brass	9.5 mm	46.0 mm	shrink-wrapped SS	4001116841118	
B brass	13.0 mm	46.0 mm	shrink-wrapped SS	4001116841316	
B brass	16.0 mm	46.0 mm	shrink-wrapped SS	4001116841514	
B brass	20.0 mm	46.0 mm	shrink-wrapped SS	4001116841712	
C bronze	9.5 mm	46.0 mm	shrink-wrapped SS	4001116841125	
C bronze	13.0 mm	46.0 mm	shrink-wrapped SS	4001116841323	
C bronze	16.0 mm	46.0 mm	shrink-wrapped SS	4001116841521	
C bronze	20.0 mm	46.0 mm	shrink-wrapped SS	4001116841729	
D champagne	9.5 mm	46.0 mm	shrink-wrapped SS	4001116841132	
D champagne	13.0 mm	46.0 mm	shrink-wrapped SS	4001116841330	
D champagne	16.0 mm	46.0 mm	shrink-wrapped SS	4001116841538	
D champagne	20.0 mm	46.0 mm	shrink-wrapped SS	4001116841736	
E titanium	9.5 mm	46.0 mm	shrink-wrapped SS	4001116841149	
E titanium	13.0 mm	46.0 mm	shrink-wrapped SS	4001116841347	
E titanium	16.0 mm	46.0 mm	shrink-wrapped SS	4001116841545	
E titanium	20.0 mm	46.0 mm	shrink-wrapped SS	4001116841743	

## Profiles for parquet, laminate and designer floors clipstech<sup>®</sup>-plus system profiles

### Level compensator profile, 56 mm, and Renovation support profile

ALX



Min. OU: 5 pcs.

2.12-2.13

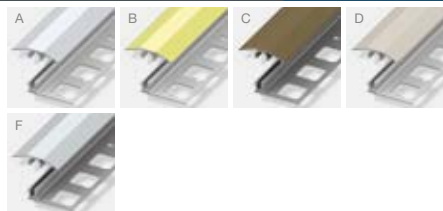
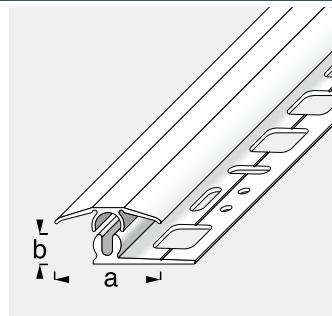
The contents of the **clipstech<sup>®</sup>-plus** complete set: 1 x Renovation aluminium support profile, 1 x anodized level compensator profile, 6 x round headed screws with plugs and 6 x self-cutting countersunk screws in matching colours

Anodized aluminium				length: 0.90 m
Colour	Dim. a	Dim. b	Packaging	EAN/Item no.
A silver	9.5 mm	56.0 mm	shrink-wrapped SS	4001116841200
A silver	13.0 mm	56.0 mm	shrink-wrapped SS	4001116841408
A silver	16.0 mm	56.0 mm	shrink-wrapped SS	4001116841606
A silver	20.0 mm	56.0 mm	shrink-wrapped SS	4001116841804
B brass	9.5 mm	56.0 mm	shrink-wrapped SS	4001116841217
B brass	13.0 mm	56.0 mm	shrink-wrapped SS	4001116841415
B brass	16.0 mm	56.0 mm	shrink-wrapped SS	4001116841613
B brass	20.0 mm	56.0 mm	shrink-wrapped SS	4001116841811
C bronze	9.5 mm	56.0 mm	shrink-wrapped SS	4001116841224
C bronze	13.0 mm	56.0 mm	shrink-wrapped SS	4001116841422
C bronze	16.0 mm	56.0 mm	shrink-wrapped SS	4001116841620
C bronze	20.0 mm	56.0 mm	shrink-wrapped SS	4001116841828
D champagne	9.5 mm	56.0 mm	shrink-wrapped SS	4001116841231
D champagne	13.0 mm	56.0 mm	shrink-wrapped SS	4001116841439
D champagne	16.0 mm	56.0 mm	shrink-wrapped SS	4001116841637
D champagne	20.0 mm	56.0 mm	shrink-wrapped SS	4001116841835
E titanium	9.5 mm	56.0 mm	shrink-wrapped SS	4001116841248
E titanium	13.0 mm	56.0 mm	shrink-wrapped SS	4001116841446
E titanium	16.0 mm	56.0 mm	shrink-wrapped SS	4001116841644
E titanium	20.0 mm	56.0 mm	shrink-wrapped SS	4001116841842

# Profiles for parquet, laminate and designer floors

## clipstech<sup>®</sup>-mini system profiles

### Cover strip, 25 mm



ALX



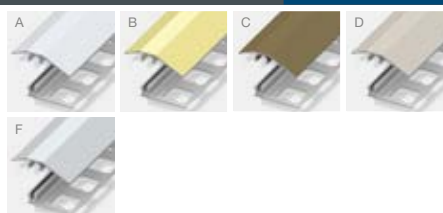
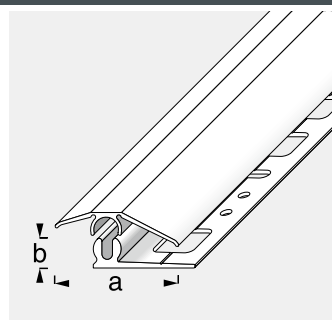
Min. OU: 5 pcs.

2.11

The **clipstech**<sup>®</sup>-mini complete set includes: 1 × plastic support profile with **alfer**<sup>®</sup>-fix universal hole pattern, 1 × mini anodised cover strip

Anodized aluminium				length: 1.00 m	length: 2.00 m
Colour	Dim. a	Dim. b	Packaging	EAN / Item no.	EAN / Item no.
A silver	25.0 mm	7.0 mm	shrink-wrapped	4001116891106	4001116893100
B brass	25.0 mm	7.0 mm	shrink-wrapped	4001116891113	4001116893117
C bronze	25.0 mm	7.0 mm	shrink-wrapped	4001116891120	4001116893124
D titanium	25.0 mm	7.0 mm	shrink-wrapped	4001116891137	4001116893131
E brushed black	25.0 mm	7.0 mm	shrink-wrapped	4001116891144	4001116893148
F stainless steel visual effect	25.0 mm	7.0 mm	shrink-wrapped	4001116891151	4001116893155

### Level compensator profile, 31 mm



ALX



Min. OU: 5 pcs.

2.11

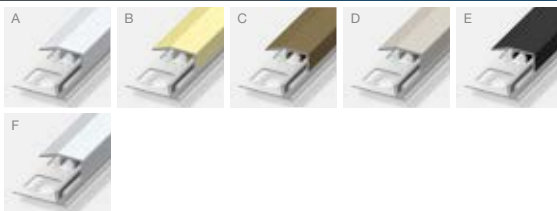
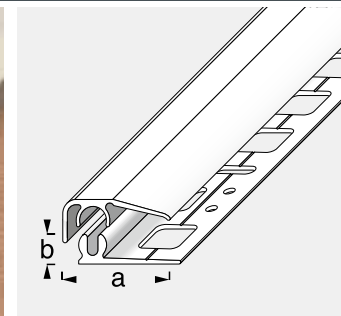
The **clipstech**<sup>®</sup>-mini complete set includes: 1 × plastic support profile with **alfer**<sup>®</sup>-fix universal hole pattern, 1 × mini anodised level compensator profile

Anodized aluminium				length: 1.00 m	length: 2.00 m
Colour	Dim. a	Dim. b	Packaging	EAN / Item no.	EAN / Item no.
A silver	31.0 mm	7.0 mm	shrink-wrapped	4001116891205	4001116893209
B brass	31.0 mm	7.0 mm	shrink-wrapped	4001116891212	4001116893216
C bronze	31.0 mm	7.0 mm	shrink-wrapped	4001116891229	4001116893223
D titanium	31.0 mm	7.0 mm	shrink-wrapped	4001116891236	4001116893230
E brushed black	31.0 mm	7.0 mm	shrink-wrapped	4001116891243	4001116893247
F stainless steel visual effect	31.0 mm	7.0 mm	shrink-wrapped	4001116891250	4001116893254

## Profiles for parquet, laminate and designer floors clipstech<sup>®</sup>-mini system profiles

Edging profile, 8.5 mm

ALX

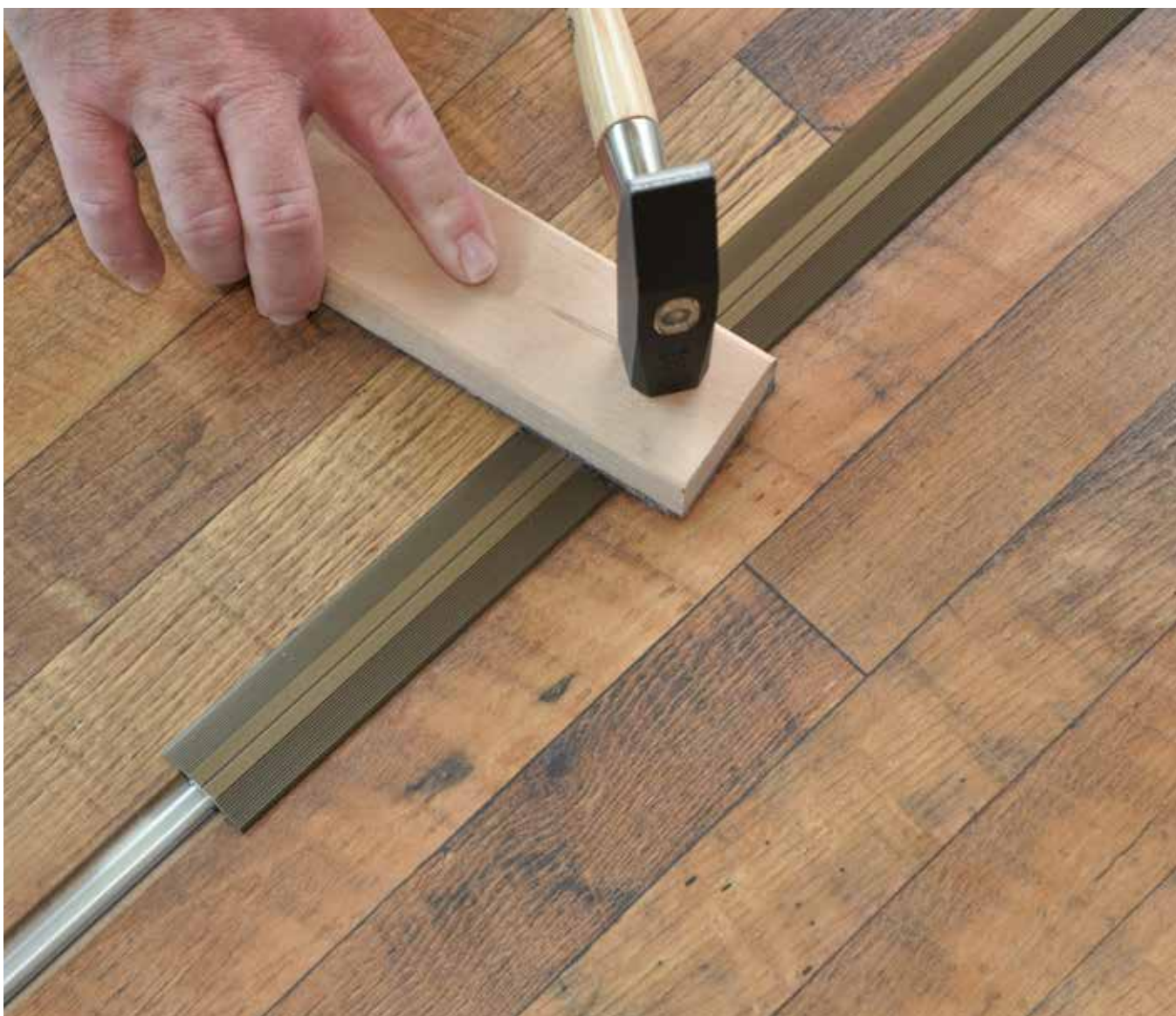


Min. OU: 5 pcs.

2.11

The **clipstech<sup>®</sup>**-mini complete set includes: 1 x plastic support profile with **alfer<sup>®</sup>**-fix universal hole pattern, 1 x mini anodised edging profile

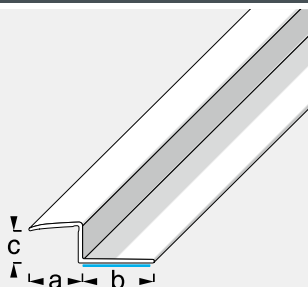
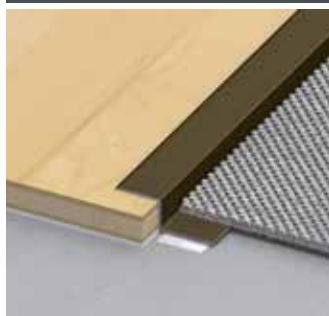
Anodized aluminium				length: 1.00 m	length: 2.00 m
Colour	Dim. a	Dim. b	Packaging	EAN / Item no.	EAN / Item no.
A silver	19.5 mm	7.0 mm	shrink-wrapped	4001116891304	4001116893308
B brass	19.5 mm	7.0 mm	shrink-wrapped	4001116891311	4001116893315
C bronze	19.5 mm	7.0 mm	shrink-wrapped	4001116891328	4001116893322
D titanium	19.5 mm	7.0 mm	shrink-wrapped	4001116891335	4001116893339
E brushed black	19.5 mm	7.0 mm	shrink-wrapped	4001116891342	4001116893346
F stainless steel visual effect	19.5 mm	7.0 mm	shrink-wrapped	4001116891359	4001116893353



# Profiles for parquet, laminate and designer floors

## Standard profiles

### Z-finish profile



· With adhesive tape

ALX

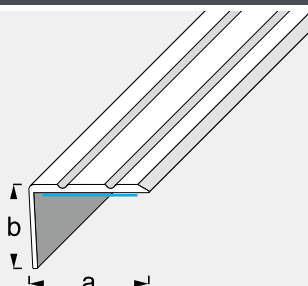


Min. OU: 5 pcs.

#### Anodized aluminium, self-adhesive

Colour	Dim. a	Dim. b	Dim. c	Packaging	length: 1.00 m	length: 2.00 m	length: 2.70 m
					EAN / Item no.	EAN / Item no.	EAN / Item no.
A silver	15.0 mm	20.0 mm	9.0 mm	shrink-wrapped	4001116881107	4001116883101	4001116885105
A silver	15.0 mm	20.0 mm	9.0 mm	shrink-wrapped SS	4001116541100		
B brass	15.0 mm	20.0 mm	9.0 mm	shrink-wrapped	4001116881114	4001116883118	4001116885112
C bronze	15.0 mm	20.0 mm	9.0 mm	shrink-wrapped	4001116881121	4001116883125	4001116885129

### Angle edging profile



· With adhesive tape

ALX



Min. OU: 5 pcs.

#### Anodized aluminium, self-adhesive

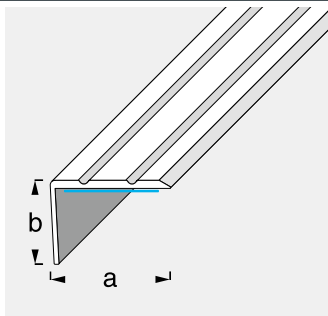
Colour	Dim. a	Dim. b	Packaging	length: 1.00 m	length: 2.00 m	length: 2.70 m
				EAN / Item no.	EAN / Item no.	EAN / Item no.
A silver	25.0 mm	8.0 mm	shrink-wrapped	4001116881503	4001116883507	4001116885501
A silver	25.0 mm	8.0 mm	shrink-wrapped SS	4001116541506		
A silver	25.0 mm	18.0 mm	shrink-wrapped	4001116881558	4001116883552	4001116885556
B brass	25.0 mm	8.0 mm	shrink-wrapped	4001116881510	4001116883514	4001116885518
B brass	25.0 mm	18.0 mm	shrink-wrapped	4001116881565	4001116883569	4001116885563
C bronze	25.0 mm	8.0 mm	shrink-wrapped	4001116881527	4001116883521	4001116885525
C bronze	25.0 mm	18.0 mm	shrink-wrapped	4001116881572	4001116883576	4001116885570
D champagne	25.0 mm	8.0 mm	shrink-wrapped	4001116881534		
D champagne	25.0 mm	18.0 mm	shrink-wrapped	4001116881589		
E titanium	25.0 mm	8.0 mm	shrink-wrapped	4001116881541	4001116883545	
E titanium	25.0 mm	18.0 mm	shrink-wrapped	4001116881596	4001116883590	



# Profiles for parquet, laminate and designer floors

## Standard profiles

### Angle edging profile



· With adhesive tape

ALX

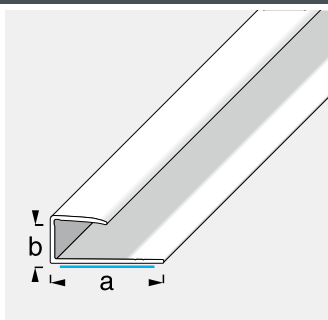


Min. OU: 5 pcs.

Anodized aluminium, self-adhesive

Colour	Dim. a	Dim. b	Packaging	length: 0.90 m EAN / Item no.
A silver	25.0mm	8.0mm	shrink-wrapped SS	4001116508073

### Edge profile



· With adhesive tape

ALX



Min. OU: 5 pcs.

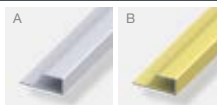
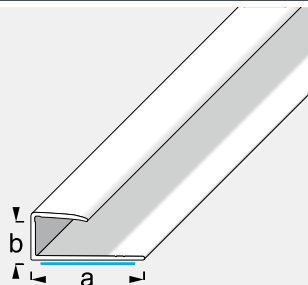
Anodized aluminium, self-adhesive

Colour	Dim. a	Dim. b	Packaging	length: 1.00 m EAN / Item no.	length: 2.00 m EAN / Item no.	length: 2.70 m EAN / Item no.
A silver	15.0mm	7.0mm	shrink-wrapped	4001116881404	4001116883408	
A silver	15.0mm	7.0mm	shrink-wrapped SS	4001116541407		
A silver	15.0mm	9.0mm	shrink-wrapped	4001116881305	4001116883309	4001116885303
A silver	15.0mm	14.0mm	shrink-wrapped	4001116881350	4001116883354	4001116885358
B brass	15.0mm	7.0mm	shrink-wrapped	4001116881411	4001116883415	
B brass	15.0mm	9.0mm	shrink-wrapped	4001116881312	4001116883316	4001116885310
B brass	15.0mm	14.0mm	shrink-wrapped	4001116881367	4001116883361	4001116885365
C bronze	15.0mm	7.0mm	shrink-wrapped	4001116881428	4001116883422	
C bronze	15.0mm	7.0mm	shrink-wrapped SS	4001116541421		
C bronze	15.0mm	9.0mm	shrink-wrapped	4001116881329	4001116883323	4001116885327
C bronze	15.0mm	14.0mm	shrink-wrapped	4001116881374	4001116883378	4001116885372
D champagne	15.0mm	9.0mm	shrink-wrapped	4001116881336		
E titanium	15.0mm	7.0mm	shrink-wrapped	4001116881442		
E titanium	15.0mm	9.0mm	shrink-wrapped	4001116881343	4001116883347	
E titanium	15.0mm	14.0mm	shrink-wrapped	4001116881398		

# Profiles for parquet, laminate and designer floors

## Standard profiles

### Edge profile



· With adhesive tape

ALX

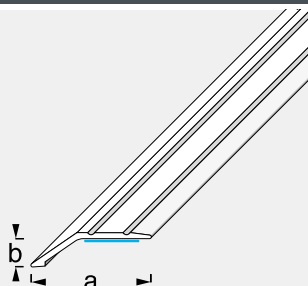
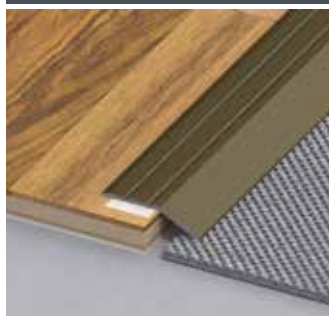


Min. OU: 5 pcs.

Anodized aluminium, self-adhesive

Colour	Dim. a	Dim. b	Packaging	length: 0.90 m EAN / Item no.
A silver	15.0 mm	9.0 mm	shrink-wrapped SS	4001116 50800 4
B brass	15.0 mm	9.0 mm	shrink-wrapped SS	4001116 50801 1

### Level compensator profile



· With adhesive tape

ALX



Min. OU: 5 pcs.

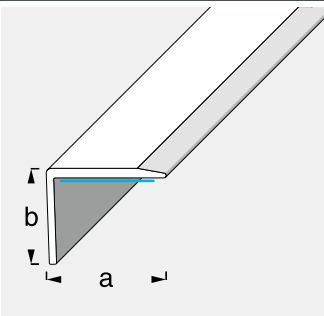
Anodized aluminium, self-adhesive

Colour	Dim. a	Dim. b	Packaging	length: 1.00 m	length: 2.00 m	length: 2.70 m
				EAN / Item no.	EAN / Item no.	EAN / Item no.
A silver	34.0 mm	8.0 mm	shrink-wrapped	4001116 88160 2	4001116 88360 6	4001116 88560 0
A silver	37.0 mm	10.0 mm	shrink-wrapped	4001116 88165 7	4001116 88365 1	4001116 88565 5
A silver	41.0 mm	15.0 mm	shrink-wrapped	4001116 88170 1	4001116 88370 5	4001116 88570 9
A silver	45.0 mm	18.0 mm	shrink-wrapped	4001116 88175 6	4001116 88375 0	4001116 88575 4
B brass	34.0 mm	8.0 mm	shrink-wrapped	4001116 88161 9	4001116 88361 3	4001116 88561 7
B brass	37.0 mm	10.0 mm	shrink-wrapped	4001116 88166 4	4001116 88366 8	4001116 88566 2
B brass	41.0 mm	15.0 mm	shrink-wrapped	4001116 88171 8	4001116 88371 2	4001116 88571 6
C bronze	34.0 mm	8.0 mm	shrink-wrapped	4001116 88162 6	4001116 88362 0	4001116 88562 4
C bronze	37.0 mm	10.0 mm	shrink-wrapped	4001116 88167 1	4001116 88367 5	4001116 88567 9
C bronze	41.0 mm	15.0 mm	shrink-wrapped	4001116 88172 5	4001116 88372 9	4001116 88572 3
D champagne	34.0 mm	8.0 mm	shrink-wrapped	4001116 88163 3		
E titanium	34.0 mm	8.0 mm	shrink-wrapped	4001116 88164 0		
E titanium	41.0 mm	15.0 mm	shrink-wrapped	4001116 88174 9	4001116 88374 3	

# Profiles for parquet, laminate and designer floors

## Standard profiles

### Angle edging profile



· With adhesive tape

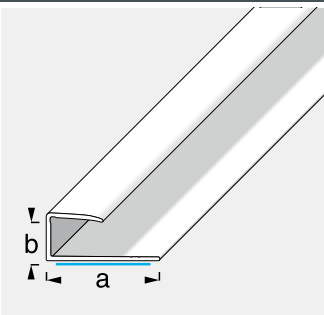
PVC



Min. OU: 5 pcs.

Plastic (hard PVC) self-adhesive				length: 1.00 m	length: 2.00 m	length: 2.70 m
Colour	Dim. a	Dim. b	Packaging	EAN/Item no.	EAN/Item no.	EAN/Item no.
A maple	25.0mm	8.0mm	shrink-wrapped	4001116886508	4001116887505	4001116888502
A maple	25.0mm	8.0mm	shrink-wrapped SS	4001116542503		
A maple	25.0mm	18.0mm	shrink-wrapped	4001116886553	4001116887550	4001116888557
B beech	25.0mm	8.0mm	shrink-wrapped	4001116886515	4001116887512	4001116888519
B beech	25.0mm	8.0mm	shrink-wrapped SS	4001116542510		
B beech	25.0mm	18.0mm	shrink-wrapped	4001116886560	4001116887567	4001116888564
C oak	25.0mm	8.0mm	shrink-wrapped	4001116886522	4001116887529	4001116888526
C oak	25.0mm	18.0mm	shrink-wrapped	4001116886577	4001116887574	4001116888571

### Edge profile



· With adhesive tape

PVC




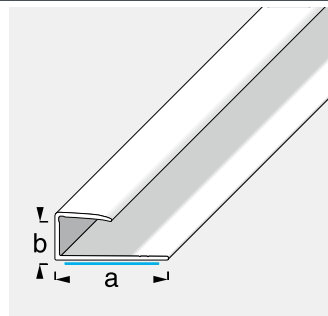
Min. OU: 5 pcs.

Plastic (hard PVC) self-adhesive				length: 1.00 m	length: 2.00 m	length: 2.70 m
Colour	Dim. a	Dim. b	Packaging	EAN/Item no.	EAN/Item no.	EAN/Item no.
A maple	15.0mm	7.0mm	shrink-wrapped	4001116886409	4001116887406	
A maple	15.0mm	9.0mm	shrink-wrapped	4001116886300	4001116887307	4001116888304
A maple	15.0mm	14.0mm	shrink-wrapped	4001116886355	4001116887352	4001116888359
B beech	15.0mm	7.0mm	shrink-wrapped	4001116886416	4001116887413	
B beech	15.0mm	9.0mm	shrink-wrapped	4001116886317	4001116887314	4001116888311
B beech	15.0mm	14.0mm	shrink-wrapped	4001116886362	4001116887369	4001116888366
C oak	15.0mm	7.0mm	shrink-wrapped	4001116886423	4001116887420	
C oak	15.0mm	9.0mm	shrink-wrapped	4001116886324	4001116887321	4001116888328
C oak	15.0mm	14.0mm	shrink-wrapped	4001116886379	4001116887376	4001116888373

# Profiles for parquet, laminate and designer floors

## Standard profiles

**Edge profile**


PVC


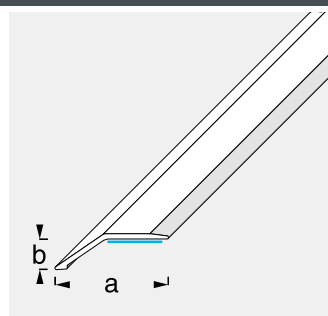



Min. OU: 5 pcs.


· With adhesive tape

Plastic (hard PVC) self-adhesive				length: 0.90 m
Colour	Dim. a	Dim. b	Packaging	EAN / Item no.
A beech	15.0 mm	9.0 mm	shrink-wrapped SS	4001116 508028

**Level compensator profile**

PVC



Min. OU: 5 pcs.

· With adhesive tape

Plastic (hard PVC) self-adhesive				length: 1.00 m	length: 2.00 m	length: 2.70 m
Colour	Dim. a	Dim. b	Packaging	EAN / Item no.	EAN / Item no.	EAN / Item no.
A maple	34.0 mm	8.0 mm	shrink-wrapped	4001116 886607	4001116 887604	4001116 888601
A maple	37.0 mm	10.0 mm	shrink-wrapped	4001116 886652	4001116 887659	4001116 888656
A maple	37.0 mm	10.0 mm	shrink-wrapped SS	4001116 542657		
A maple	41.0 mm	15.0 mm	shrink-wrapped	4001116 886706	4001116 887703	4001116 888700
B beech	34.0 mm	8.0 mm	shrink-wrapped	4001116 886614	4001116 887611	4001116 888618
B beech	37.0 mm	10.0 mm	shrink-wrapped	4001116 886669	4001116 887666	4001116 888663
B beech	37.0 mm	10.0 mm	shrink-wrapped SS	4001116 542664		
B beech	41.0 mm	15.0 mm	shrink-wrapped	4001116 886713	4001116 887710	4001116 888717
C oak	34.0 mm	8.0 mm	shrink-wrapped	4001116 886621	4001116 887628	4001116 888625
C oak	37.0 mm	10.0 mm	shrink-wrapped	4001116 886676	4001116 887673	4001116 888670
C oak	41.0 mm	15.0 mm	shrink-wrapped	4001116 886720	4001116 887727	4001116 888724

Building-material catalogue | 97052 | 01.2017 | 71708

## Profiles for parquet, laminate and designer floors





# cabelino® cable duct baseboards



## **cabelino**<sup>®</sup> cable duct baseboards

### Range overview

#### Wall edgings with added value

##### **cabelino**<sup>®</sup> cable duct baseboards

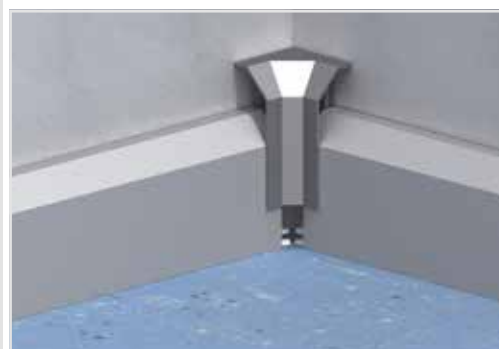
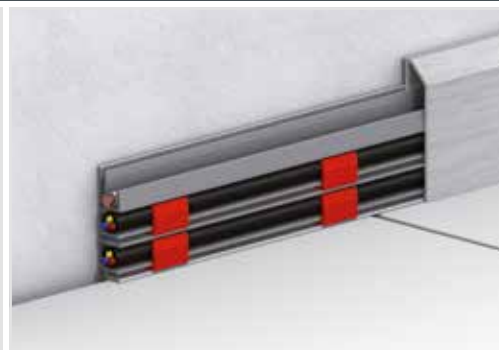
Sophisticated appearance meets well-thought-out function: **cabelino**<sup>®</sup> cable duct baseboards from **alfer**<sup>®</sup> feature not only an elegant and decorative look, but also impressive “inner qualities” thanks to the integrated cable duct. The innovative baseboards are simply clipped onto a support profile. The support profile features two or three integrated cable ducts depending on the design and requirements. Subsequent cable installation indoors or outdoors becomes a walk in the park. The result: The cables are installed in a clean manner, perfectly hidden and optimally protected.

What creative design highlights do you have in mind? You can choose between 45 mm or 60 mm high baseboards in the following designs: Stainless steel in various visual designs, aluminum and plastic in different colour variants as well as stainless steel, wood and stone patterns; and of course everything matches the parquet, laminate or decor profiles from the **clipstech alfer**<sup>®</sup> design product range perfectly.

By the way: A subsequently installed, continuous level compensator is a quick solution if your floor sinks after years of use. Thanks to this easy procedure, everything shines in a brand-new light again in no time.

##### **Suitable accessories**

Imperfectly cut edges can be covered up elegantly by using connectors where two baseboards meet. An edging is simply clipped onto the baseboard to achieve just that: a clean edge. If you want to avoid mitring, use one of our ready-made internal or external angles, which are simply pushed onto the baseboard from above. The cable duct branching is simply pushed on as well and guarantees clean transitions. The elastic sealing lip protects against moisture and dirt. The grounded conductor clamp, screws and plugs round out the accessory product range.





## **cabelino**<sup>®</sup> cable duct baseboards

### Range overview

#### Custom-made flexibility

##### **Baseboards and buckling angles**

For clean and refined floor or wall edging, we recommend using our designer baseboard made from anodised aluminium. The combination of an elegant shape and a silver-coloured finish makes this profile truly eye-catching.

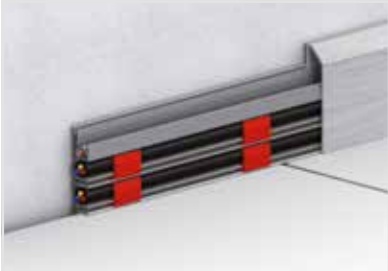




More flexibility, less complexity: Self-adhesive soft baseboards and buckling angles from **alfer**<sup>®</sup> are made from easy-to-install plastic and can be cut simply with regular household scissors.

**alfer**<sup>®</sup> soft baseboards, the affordable alternative to hard baseboards, are available in 8 colours. **alfer**<sup>®</sup> buckling angles, available in eight colours, are ideally suited for designing internal and external angles at walls, stairs or furniture. Discover the charm of extreme flexibility and learn how easy it can be to achieve clean results.



# cabelino<sup>®</sup> cable duct baseboards

## Range overview

Support		3.07
	<ul style="list-style-type: none"> <li>· Support, 45 mm</li> <li>· Support, 60 mm</li> </ul>	PVC
Cable duct baseboards		3.08–3.11
	<ul style="list-style-type: none"> <li>· Cable duct baseboard</li> <li>· Cable duct baseboard set, 60 mm</li> <li>· Cable duct baseboard, 45 mm</li> <li>· Cable duct baseboard, 60 mm</li> </ul>	ALX EDL PVC
Cable ducts		3.12
	<ul style="list-style-type: none"> <li>· Cable duct carrier</li> <li>· Cable duct cover</li> </ul>	ALX PVC
Accessories		3.13–3.16
	<ul style="list-style-type: none"> <li>· Cable clip</li> <li>· Cable duct branching</li> <li>· Connector</li> <li>· Edging, 1 pc. left and 1 pc. right</li> <li>· External angle</li> <li>· Grounded conductor clamp</li> <li>· Internal angle</li> <li>· Screw and dowel</li> <li>· Sealing lip</li> </ul>	ALU PE PS PVC
Soft baseboards and buckling angles		3.17
	<ul style="list-style-type: none"> <li>· Buckling angle, self-adhesive</li> <li>· Soft baseboard, self-adhesive</li> </ul>	PVC

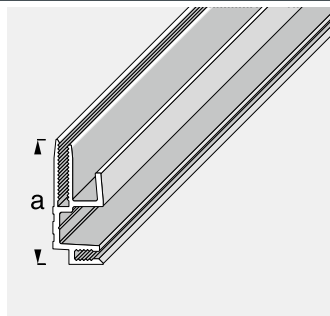
## **cabelino**<sup>®</sup> cable duct baseboards



# cabelino<sup>®</sup> cable duct baseboards

## Support

### Support, 45 mm



PVC

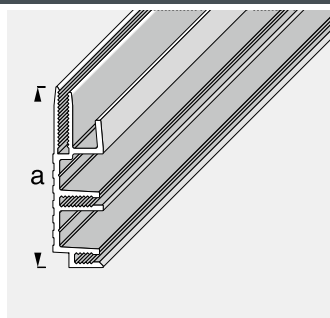


Min. OU: 5 pcs.

Plastic (hard PVC)

Colour	Dim. a	Packaging	length: 2.50 m EAN / Item no.
A white	33.5 mm	loose	4001116 565007

### Support, 60 mm



PVC



Min. OU: 5 pcs.

Plastic (hard PVC)

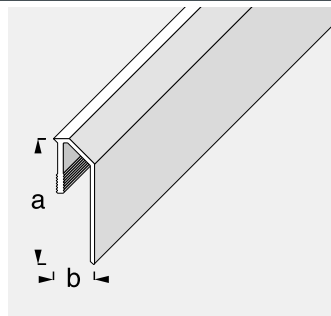
Colour	Dim. a	Packaging	length: 2.50 m EAN / Item no.
A grey	48.5 mm	loose	4001116 565106



# cabelino<sup>®</sup> cable duct baseboards

## Cable duct baseboards

### Cable duct baseboard, 45 mm



ALX

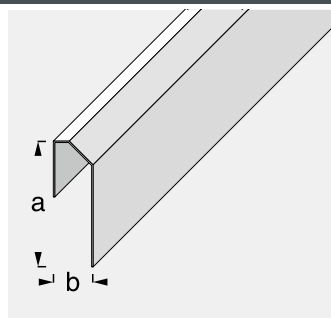


Min. OU: 5 pcs.

#### Anodized aluminium

Colour	Dim. a	Dim. b	Packaging	length: 1.00 m EAN / Item no.	length: 2.50 m EAN / Item no.
A silver	45.0 mm	15.0 mm	shrink-wrapped SS	400111656036 1	
A silver	45.0 mm	15.0 mm	shrink-wrapped	400111656136 8	400111656126 9

### Cable duct baseboard, 45 mm



ALX

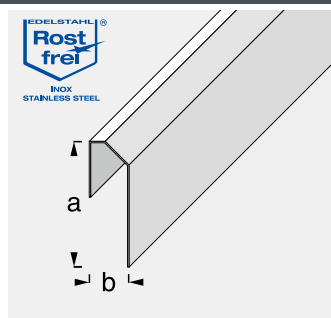


Min. OU: 5 pcs.

#### Anodized aluminium

Colour	Dim. a	Dim. b	Packaging	length: 2.50 m EAN / Item no.
A stainless steel visual effect	45.0 mm	15.0 mm	shrink-wrapped	400111656560 1

### Cable duct baseboard, 45 mm



EDL



Min. OU: 5 pcs.

#### Stainless steel

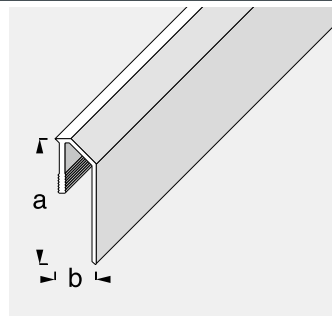
Colour	Dim. a	Dim. b	Packaging	length: 2.50 m EAN / Item no.
A brushed	45.0 mm	15.0 mm	shrink-wrapped	400111656561 8

# cabelino<sup>®</sup> cable duct baseboards

## Cable duct baseboards

### Cable duct baseboard, 45 mm

PVC



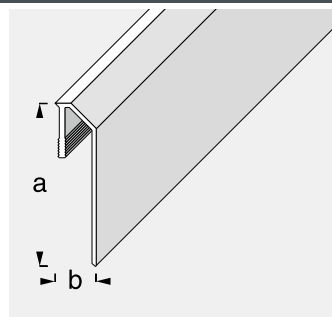
Min. OU: 5 pcs.

#### Plastic (hard PVC)

Colour	Dim. a	Dim. b	Packaging	length: 2.50 m EAN / Item no.
A maple	45.0 mm	15.0 mm	loose	4001116561009
B beech	45.0 mm	15.0 mm	loose	4001116561016
C white	45.0 mm	15.0 mm	loose	4001116561078

### Cable duct baseboard, 60 mm

ALX



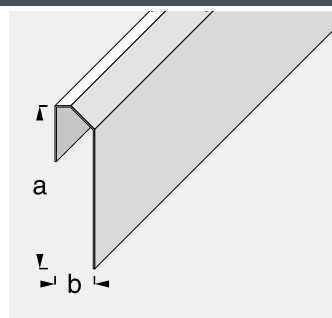
Min. OU: 5 pcs.

#### Anodized aluminium

Colour	Dim. a	Dim. b	Packaging	length: 1.00 m EAN / Item no.	length: 2.50 m EAN / Item no.
A silver	60.0 mm	15.0 mm	shrink-wrapped SS	4001116560767	
A silver	60.0 mm	15.0 mm	shrink-wrapped		4001116561665

### Cable duct baseboard, 60 mm

ALX



Min. OU: 5 pcs.

#### Anodized aluminium

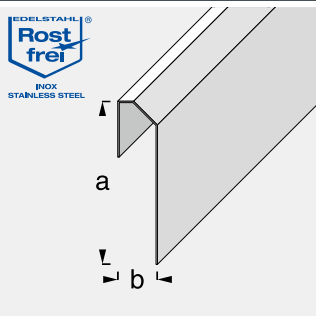
Colour	Dim. a	Dim. b	Packaging	length: 2.50 m EAN / Item no.
A stainless steel visual effect	60.0 mm	15.0 mm	shrink-wrapped	4001116565809

# cabelino<sup>®</sup> cable duct baseboards

## Cable duct baseboards

### Cable duct baseboard, 60 mm

EDL

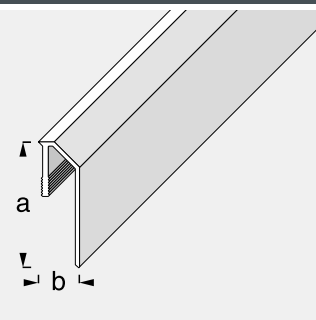


Min. OU: 5 pcs.

Stainless steel				length: 2.50 m
Colour	Dim. a	Dim. b	Packaging	EAN / Item no.
A brushed	60.0mm	15.0mm	shrink-wrapped	400111656581 6

### Cable duct baseboard, 60 mm

PVC

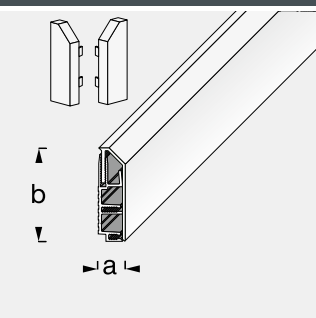


Min. OU: 5 pcs.

Plastic (hard PVC)				length: 2.50 m
Colour	Dim. a	Dim. b	Packaging	EAN / Item no.
A maple	60.0mm	15.0mm	loose	400111656140 5
B beech	60.0mm	15.0mm	loose	400111656141 2
C oak	60.0mm	15.0mm	loose	400111656142 9
D white	60.0mm	15.0mm	loose	400111656147 4

### Cable duct baseboard set, 60 mm

PVC



Min. OU: 5 pcs.

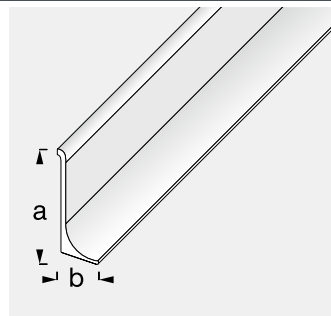
Plastic (hard PVC)				length: 2.50 m
Colour	Dim. a	Dim. b	Packaging	EAN / Item no.
A white	60.0mm	15.0mm	loose	400111656798 8

## **cabelino**<sup>®</sup> cable duct baseboards

### Cable duct baseboards

#### Cable duct baseboard

ALX



Min. OU: 5 pcs.

Anodized aluminium					length: 2.50 m
Colour	Dim. a	Dim. b	Packaging	EAN / Item no.	
A silver	40.0 mm	11.7 mm	loose	4001116 562068	
A silver	60.0 mm	11.7 mm	loose	4001116 562167	

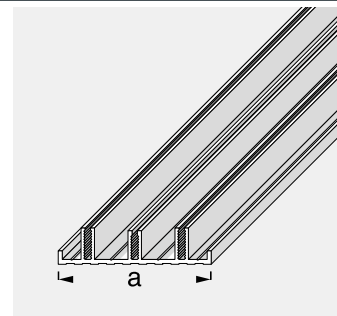




# cabelino<sup>®</sup> cable duct baseboards

## Cable ducts

### Cable duct carrier



PVC

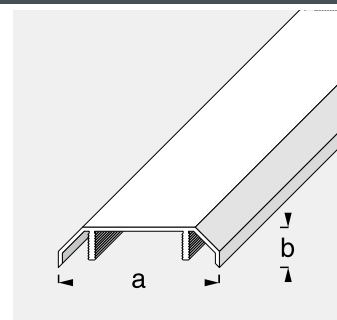


Min. OU: 5 pcs.

#### Plastic (hard PVC)

Colour	Dim. a	Packaging	length: 2.50 m EAN / Item no.
A pink	57.0 mm	loose	4001116565205

### Cable duct cover



ALX

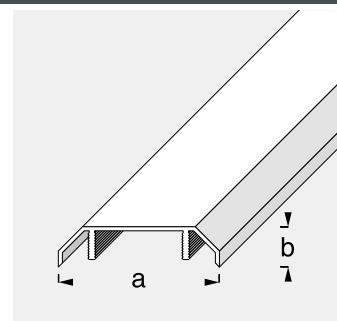


Min. OU: 5 pcs.

#### Anodized aluminium

Colour	Dim. a	Dim. b	Packaging	length: 1.00 m EAN / Item no.
A silver	60.0 mm	15.0 mm	shrink-wrapped SS	4001116552663
A silver	60.0 mm	15.0 mm	shrink-wrapped	4001116566165

### Cable duct cover



PVC



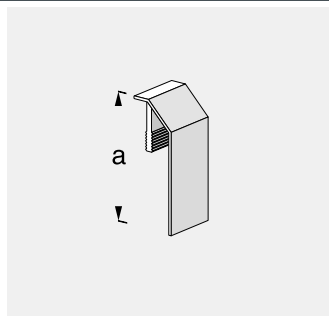
Min. OU: 5 pcs.

#### Plastic (hard PVC)

Colour	Dim. a	Dim. b	Packaging	length: 2.50 m EAN / Item no.
A white	60.0 mm	15.0 mm	loose	4001116565977

## cabelino<sup>®</sup> cable duct baseboards Accessories

### Connector



PS

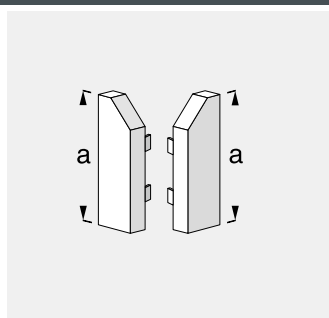
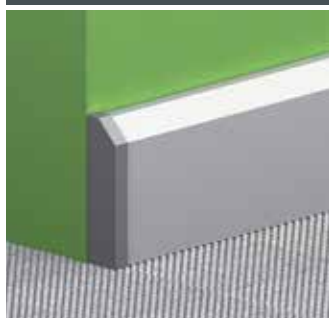


Min. OU: 5 pcs.

#### Plastic (PS)

Colour	Dim. a	PU	Packaging	EAN / Item no.
A maple	45.0mm	2 pieces	SS box	4001116 557422
A maple	60.0mm	2 pieces	SS box	4001116 559020
B beech	45.0mm	2 pieces	SS box	4001116 557439
B beech	60.0mm	2 pieces	SS box	4001116 559037
C silver	45.0mm	2 pieces	SS box	4001116 557408
C silver	60.0mm	2 pieces	SS box	4001116 559006
D white	45.0mm	2 pieces	SS box	4001116 557460
D white	60.0mm	2 pieces	SS box	4001116 559068

### Edging, 1 pc. left and 1 pc. right



PS



Min. OU: 5 pcs.

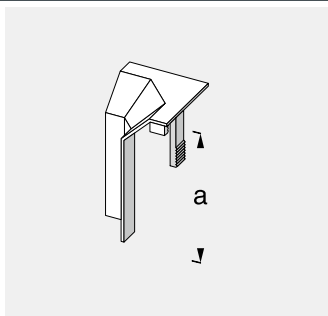
#### Plastic (PS)

Colour	Dim. a	PU	Packaging	EAN / Item no.
A maple	45.0mm	2 pieces	SS box	4001116 557026
A maple	60.0mm	2 pieces	SS box	4001116 558627
B beech	45.0mm	2 pieces	SS box	4001116 557033
B beech	60.0mm	2 pieces	SS box	4001116 558634
C silver	45.0mm	2 pieces	SS box	4001116 557002
C silver	60.0mm	2 pieces	SS box	4001116 558603
D white	45.0mm	2 pieces	SS box	4001116 557064
D white	60.0mm	2 pieces	SS box	4001116 558665

# cabelino<sup>®</sup> cable duct baseboards

## Accessories

### Internal angle



PS

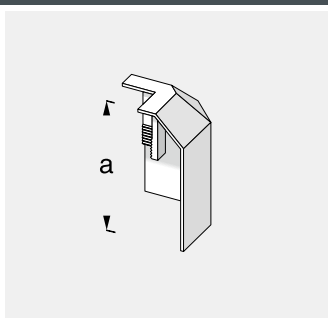


Min. OU: 5 pcs.

#### Plastic (PS)

Colour	Dim. a	PU	Packaging	EAN / Item no.
A maple	45.0mm	2 pieces	SS box	4001116556623
A maple	60.0mm	2 pieces	SS box	4001116558221
B beech	45.0mm	2 pieces	SS box	4001116556630
B beech	60.0mm	2 pieces	SS box	4001116558238
C silver	45.0mm	2 pieces	SS box	4001116556609
C silver	60.0mm	2 pieces	SS box	4001116558207
D white	45.0mm	2 pieces	SS box	4001116556661
D white	60.0mm	2 pieces	SS box	4001116558269

### External angle



PS



Min. OU: 5 pcs.

#### Plastic (PS)

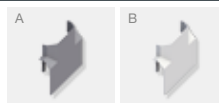
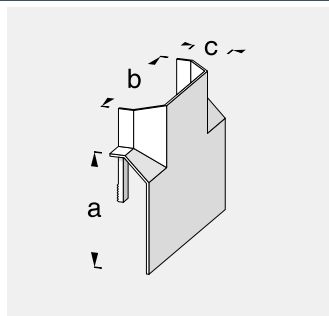
Colour	Dim. a	PU	Packaging	EAN / Item no.
A maple	45.0mm	2 pieces	SS box	4001116556821
A maple	60.0mm	2 pieces	SS box	4001116558429
B beech	45.0mm	2 pieces	SS box	4001116556838
B beech	60.0mm	2 pieces	SS box	4001116558436
C silver	45.0mm	2 pieces	SS box	4001116556807
C silver	60.0mm	2 pieces	SS box	4001116558405
D white	45.0mm	2 pieces	SS box	4001116556869
D white	60.0mm	2 pieces	SS box	4001116558467

# cabelino<sup>®</sup> cable duct baseboards

## Accessories

### Cable duct branching

PS



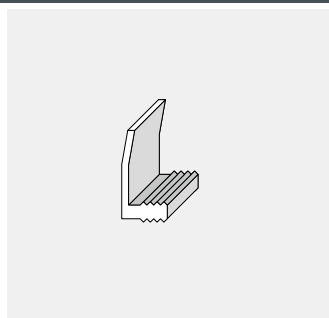
Min. OU: 5 pcs.

#### Plastic (PS)

Colour	Dim. a	Dim. b	Dim. c	Packaging	EAN / Item no.
A silver	45.0 mm	60.0 mm	15.0 mm	SS box	4001116 557606
A silver	60.0 mm	60.0 mm	15.0 mm	SS box	4001116 559204
B white	45.0 mm	60.0 mm	15.0 mm	SS box	4001116 557668
B white	60.0 mm	60.0 mm	15.0 mm	SS box	4001116 559266

### Cable clip

PVC



Min. OU: 5 pcs.

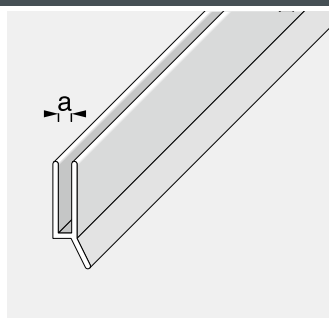
· With the cable clip you can fix the cables in place in the support profiles so that they do not keep slipping out during the installation

#### Plastic (hard PVC)

Colour	PU	Packaging	EAN / Item no.
A red	20 pieces	SS box	4001116 559808

### Sealing lip

PE



Min. OU: 5 pcs.

#### Plastic (PE)

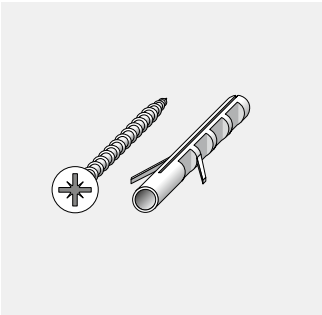
Colour	Dim. a	Packaging	length: 2.50 m EAN / Item no.
A transparent	1.5 mm	SS box	4001116 559853

# cabelino<sup>®</sup> cable duct baseboards

## Accessories

### Screw and dowel

PE



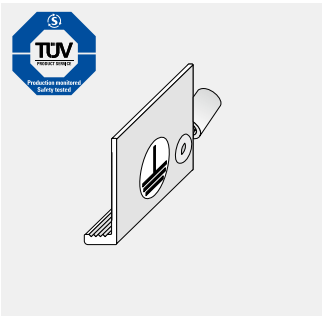
Min. OU: 5 pcs.

#### Plastic (PE)

Screw size	Length	Plug size	PU	Packaging	EAN/Item no.
A 3,0mm	30,0mm	5,0mm Ø	50 pieces	SS box	400111655986 0

### Grounded conductor clamp

ALU



Min. OU: 5 pcs.

· Metallic baseboards, whether aluminium, stainless steel or alunox must be connected to the protected earth of the building. Grounded conductor clamps are used for this

#### Uncoated aluminium

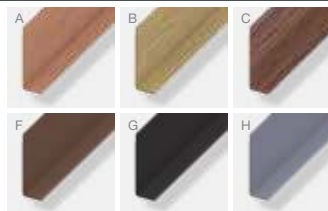
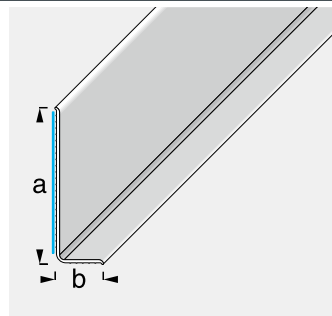
Colour	PU	Packaging	EAN/Item no.
A uncoated	16 pieces	SS box	400111655981 5



# cabelino<sup>®</sup> cable duct baseboards

## Soft baseboards and buckling angles

### Soft baseboard, self-adhesive



PVC



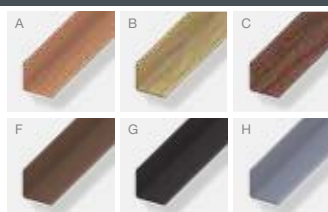
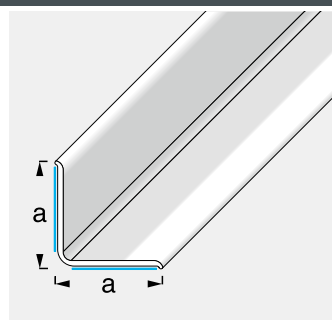
Min. OU: 5 pcs.

· With adhesive tape

### Plastic (soft PVC), self-adhesive

Colour	Length	Dim. a	Dim. b	Packaging	EAN / Item no.
A beech	5.00m	50.0mm	15.0mm	clap-pac	4001116501593
A beech	10.00m	50.0mm	15.0mm	clap-pac	4001116501999
B oak	5.00m	50.0mm	15.0mm	clap-pac	4001116501487
B oak	10.00m	50.0mm	15.0mm	clap-pac	4001116501883
C walnut	5.00m	50.0mm	15.0mm	clap-pac	4001116501494
D white	5.00m	50.0mm	15.0mm	clap-pac	4001116501425
D white	10.00m	50.0mm	15.0mm	clap-pac	4001116501821
D white	50.00m	50.0mm	15.0mm	loose	4001116503221
E beige	5.00m	50.0mm	15.0mm	clap-pac	4001116501456
E beige	10.00m	50.0mm	15.0mm	clap-pac	4001116501852
F brown	5.00m	50.0mm	15.0mm	clap-pac	4001116501449
F brown	10.00m	50.0mm	15.0mm	clap-pac	4001116501845
G black	5.00m	50.0mm	15.0mm	clap-pac	4001116501418
G black	10.00m	50.0mm	15.0mm	clap-pac	4001116501814
H grey	5.00m	50.0mm	15.0mm	clap-pac	4001116501470
H grey	10.00m	50.0mm	15.0mm	clap-pac	4001116501876

### Buckling angle, self-adhesive



PVC



Min. OU: 5 pcs.

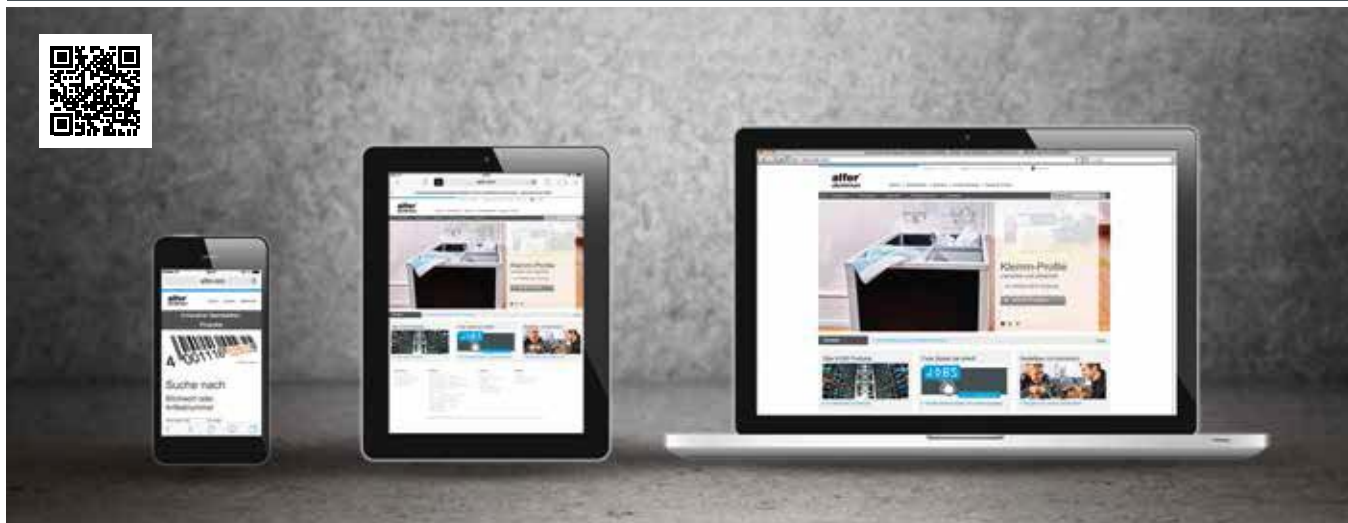
· With adhesive tape

### Plastic (soft PVC), self-adhesive

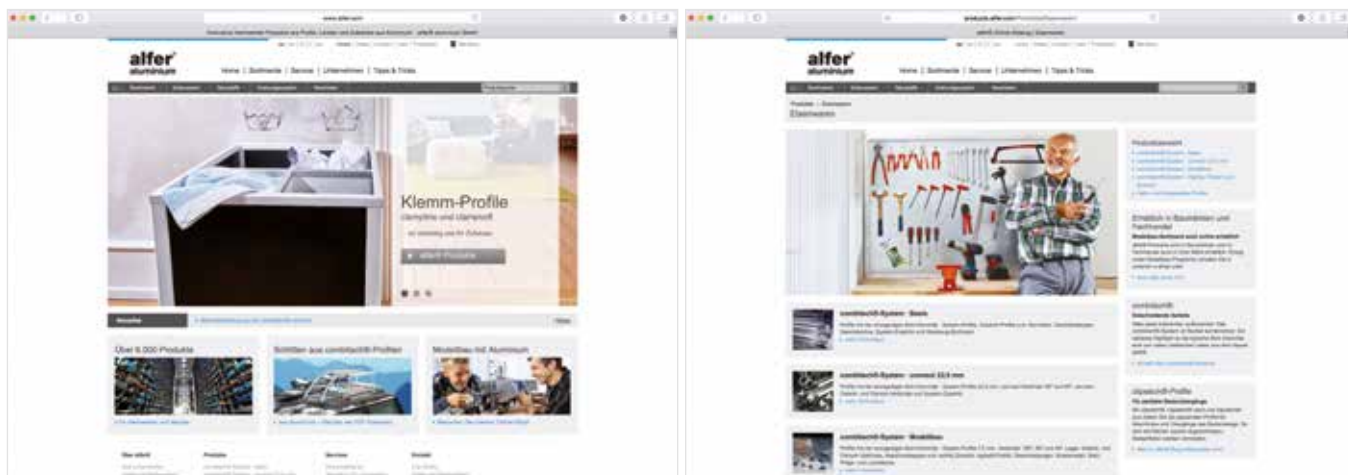
Colour	Length	Dim. a	Packaging	EAN / Item no.
A beech	5.00m	19.0mm	clap-pac	4001116501197
B oak	5.00m	19.0mm	clap-pac	4001116501081
C walnut	5.00m	19.0mm	clap-pac	4001116501098
D white	10.00m	19.0mm	clap-pac	4001116500824
D white	5.00m	19.0mm	clap-pac	4001116501029
E beige	5.00m	19.0mm	clap-pac	4001116501050
F brown	10.00m	19.0mm	clap-pac	4001116500848
F brown	5.00m	19.0mm	clap-pac	4001116501043
G black	10.00m	19.0mm	clap-pac	4001116500817
G black	5.00m	19.0mm	clap-pac	4001116501012
H grey	10.00m	19.0mm	clap-pac	4001116500879
H grey	5.00m	19.0mm	clap-pac	4001116501074

# Building-material catalogue Index

alfer<sup>®</sup> makes you mobile



Information about **alfer** and the full product range plus plenty of other useful information can be found online. Our website is also optimised for mobile devices and tablets. Wherever you are, you can find what you are looking for – quickly and clearly.



## Start browsing and get enjoying!

The complete product catalogue can also be downloaded in PDF format from our website [www.alfer.com](http://www.alfer.com), where you will also find many other useful services and suggestions in relation to the fascinating **alfer** product world.

For example, look forward to plenty of practical tips and tricks for existing and budding DIY enthusiasts. Get inspiration from our refined building ideas. Use our comprehensive download area to obtain catalogues, brochures and building instructions. And make sure you take a look at our helpful application and product videos. They are well worth watching!

We look forward to your visit to [www.alfer.com](http://www.alfer.com)

# Building-material catalogue

## Index

### alfer<sup>®</sup> ranges



#### **combitech<sup>®</sup> system | Basis**

Everything fits together:

The **combitech<sup>®</sup>** system: flexibly combinable. One product highlight is the typical drill alignment groove – just one of many practical ideas from **alfer<sup>®</sup>**. For example, this marks the opposite sides of a rounded pipe making vertical drilling through the middle easy. The Basis range from **combitech<sup>®</sup>** comprises standard aluminium and plastic profiles such as pipes, brackets, square tubes and much, much more.



#### **combitech<sup>®</sup> system | connect 23.5 mm**

The **combitech<sup>®</sup>** connect connectors can be used to simply connect 23.5 mm square tubes. Whether frames, shelves or anything else you wish to build, the stable polyamide connectors hold everything together. The connectors are available in two colours: black and white.



#### **combitech<sup>®</sup> system | Sheets, plates and accessories**

A huge selection of sheets provides the right product for many applications. The **alfer<sup>®</sup>** sheets come in many different thicknesses and materials. Multiple different finish options are also available from functional to decorative.

#### **Prismatech and Multitube:**

The profiles for framing and stabilising the sheets are particularly practical. **alfer<sup>®</sup>** offers clever options to this end through Prismatech and Multitube.



#### **combitech<sup>®</sup> system | logika<sup>®</sup>**

**logika<sup>®</sup>** is a new addition to the **combitech<sup>®</sup>** systems in the form of a logically perforated profile. **logika<sup>®</sup>** profiles enable you to build shelves, tables, steps, and much more. This will enable you to create order in rooms or vehicles. The holes in the profiles are made in such a way that they are as small as possible but as big as necessary to ensure high stability and so that, for example, at least three brackets will fit on top of each other and a further bracket can be screwed in place vertically to the others. The profiles are particularly suited for use in cold-storage rooms, cellars and wet areas.



#### **Profiles for DIY and professional purposes**

Flat bars, brackets with even and uneven branches, U-profiles, round bars, rectangular tubes and a whole range of other profiles. These form the basis for you to turn your ideas into reality. The classic semi-finished products for DIY enthusiasts and professionals are made from aluminium with anodised or untreated finishes, as well as many other materials.



#### **Steel profiles**

Steel is the most commonly used metallic material and offers an array of impressive benefits: high tensile strength, good malleability and thermal conductivity. The noteworthy material strength and rigidity ensure optimum stability. Furthermore, steel is extremely easy to work and resource-conserving as it can be recycled without any loss of quality. **alfer<sup>®</sup>** steel profiles are available as flat, angle, U, T, round and square profiles and tubes as well as in the form of sectional steel and wide-flanged beams.



#### **combitech<sup>®</sup> system | Model construction**

**alfer<sup>®</sup>** has a special place in its heart for model builders. Model builders can therefore also acquire **combitech<sup>®</sup>** connect connectors for 7.5 mm profiles. Numerous special shapes such as the 150° angle connector are also available. The popular benefits such as the drill alignment groove and the easy-to-combine dimensions also prove their worth in the model construction range.

Discover the full diversity of the model construction range in the online shop: [www.alfer-shop.com](http://www.alfer-shop.com)



# Building-material catalogue

## Index

### alfer® ranges



#### combitech® system | coaxis®

A further addition to the **combitech**® system is the **coaxis**® profile. This consists of four hollow chambers coaxially located around the core. The special design of the aluminium profiles ensure excellent longitudinal and lateral stability with the lowest weight. Equipped with drill alignment holes, the profiles are extremely simple to use and the angle bracket and hook can even be installed without drilling, using simply a square nut and screw. The profiles are ideal for use in damp areas and can even be used in the garden thanks to their weather-resistance.



#### Storage range

The broad version of the **coaxis**® profile can be horizontally, vertically and diagonally attached to walls and ceilings, allowing you to make optimal use of the available space. With the right hook, everything finds a place, whether indoors or out. Whether in the garden, the garage, the cellar or the attic: everything can be securely stored. The rubber caps on the hooks ensure that nothing gets scratched. The **coaxis**® hooks are available in aluminium or galvanised steel. The **alfer**® bicycle stand is made of lightweight, weather-resistant aluminium. It is suitable for all bikes, from racing bikes and city bikes to mountain bikes. It comes either as a rigid or an infinitely adjustable version, individually or as a three-piece set.



#### Tile edgings

Clean edges and finishes with aluminium profiles. Whether you lay your tiles yourself or have them laid by a specialist, there is one important 'side issue' that you should never forget. The **alfer**® profiles can be used on corners and edges, transitions between floor coverings and stairways. Clean edges and transitions not only look good but are also hygienic as they prevent any fraying or scuffing and improve water-resistance.



#### Floor and room profiles

Transitions between different floor coverings, a clean and protective edging or stair edges, all available in a whole range of colours, materials and décors. The stair profiles provide safety and particularly protect textile coverings against scuffing on the edges, ensuring they retain their visual appeal for many years. The profiles are extremely colour stable and completely crush-proof. For minor damage to aged stairs, **alfer**® offers stair repair brackets for simple restoration. **alfer**® door sealing brushes simply and effectively prevent drafts.



#### Profiles for parquet, laminate and designer floors

Perfectly laid parquet and laminate floorboards the easy way. The ease of laying ready-to-install parquet, cork and laminate floorboards makes them extremely popular with DIY enthusiasts. And anyone who appreciates this feature will love the parquet and laminate profiles from **alfer**®. With **clipstech**®, **clipstech**®-vario and **clipstech**®-plus, you have the perfect profiles for edges and transitions between floor coverings. The edges are therefore cleanly sealed and stumbling hazards are prevented. The **clipstech**® profiles are installed so that no screws are subsequently visible. The cover is simply clipped on.



#### cabelino® baseboards

Baseboards are ideal for concealing retrospectively laid cables and lines. The **cabelino**® baseboards have been designed for precisely this purpose. The baseboards are TÜV-certified and comply with the latest safety regulations. The décors of the baseboards match those of the **clipstech**® range. **cabelino**® baseboards are also noteworthy from a technical perspective. Thanks to the lock or clamp gap, they can be infinitely adjusted by up to 10 mm so that the baseboard can simply be pressed down if the floor settles over the years.

# Building-material catalogue

## Index

### Product names A-Z

Aluminium support profile Renovation.....	2.33	Flat edging profile, self-adhesive, with decorative grooves.....	1.23
Aluminium support profile with <b>alfer</b> -fix.....	2.33	Grounded conductor clamp.....	3.16
Angle edging profile.....	2.41   2.42   2.44	Insert for step edging profile.....	1.31
Angle edging profile, drilled, with decorative grooves.....	1.23	Internal angle.....	3.14
Buckling angle, self-adhesive.....	3.17	Joint cover profile.....	1.12   1.14   1.17
Cable clip.....	3.15	'High-polish' cover strip, arched, drilled.....	1.09
Cable duct baseboard.....	3.11	'High-polish' cover strip, arched, self-adhesive.....	1.09
Cable duct baseboard set, 60 mm.....	3.10	Level compensator profile.....	2.43   2.45
Cable duct baseboard, 45 mm.....	3.08   3.09	Level compensator profile, 31 mm.....	2.39
Cable duct baseboard, 60 mm.....	3.09   3.10	Level compensator profile, 40 mm.....	2.18
Cable duct branching.....	3.15	Level compensator profile, 40 mm, and plug system.....	2.27
Cable duct carrier.....	3.12	Level compensator profile, 56 mm.....	2.19
Cable duct cover.....	3.12	Level compensator profile, 56 mm, and plug system.....	2.28
Connector.....	3.13	Level compensator profile, 56 mm, and Renovation support profile.....	2.38
Countersunk screw with plug.....	2.15	Level compensator profile, 56 mm, and support profile with <b>alfer</b> -fix.....	2.36
Countersunk screw, self-cutting.....	2.34	Level compensator profile, 56 mm, drilled.....	2.36
Cover strip, 25 mm.....	2.39	Level compensator profile, drilled, with decorative grooves.....	1.24
Cover strip, 33 mm.....	2.16	Level compensator profile, self-adhesive.....	1.27
Cover strip, 33 mm, and plug system.....	2.25	Levelling profile, drilled.....	1.25
Cover strip, 46 mm.....	2.17	Mounting aid.....	2.15   2.34
Cover strip, 46 mm, and plug system.....	2.26	Oval-headed screw with plug.....	2.34
Cover strip, 46 mm, and support profile Renovation.....	2.37	Plastic edging profile.....	1.25
Cover strip, 46 mm, and support profile with <b>alfer</b> -fix.....	2.35	Plastic edging profile, self-adhesive.....	1.25
Cover strip, 46 mm, drilled.....	2.35	Plastic step edging profile.....	1.31   1.32
Cover strip, arched, drilled.....	1.07   1.15   1.18   1.20	Plastic support profile with <b>alfer</b> -fix.....	2.15
Cover strip, arched, drilled – door dimensions.....	1.16   1.17   1.19	Plug system.....	2.16
Cover strip, arched, laterally drilled.....	1.09	Round edging profile, grooved, drilled.....	1.22
Cover strip, arched, self-adhesive.....	1.08   1.13   1.16   1.19	Screw and dowel.....	1.32   3.16
Cover strip, arched, self-adhesive – door dimensions.....	1.17   1.18   1.19	Sealing lip.....	3.15
Cover strip, extra flat, drilled.....	1.10	Soft baseboard, self-adhesive.....	3.17
Cover strip, extra flat, self-adhesive.....	1.11	Step edging profile, drilled, with decorative grooves.....	1.28
Cover strip, flat, 33 mm, and plug system.....	2.24   2.24	Step edging profile, for inserts, drilled.....	1.30
Cover strip, flat, drilled.....	1.11	Step edging profile, grooved, drilled.....	1.29
Cover strip, flat, self-adhesive.....	1.12   1.14	Step edging profile, narrow, grooved, drilled.....	1.28
Door sealing brush.....	1.34	Step edging profile, wide, grooved, drilled.....	1.29
Edge profile.....	2.42   2.43   2.44   2.45	Step repair bracket, for stone stairs.....	1.33
Edge profile, drilled.....	1.26	Step repair bracket, for wooden stairs.....	1.33
Edge profile, self-adhesive.....	1.26	Support, 45 mm.....	3.07
Edging cover strip, extra narrow.....	1.10	Support, 60 mm.....	3.07
Edging cover strip, extra narrow, self-adhesive.....	1.10   1.21	Wall covering corner bar.....	1.33
Edging profile, 12.5 mm.....	2.21	Wall edging profile.....	2.20
Edging profile, 12.5 mm, and plug system.....	2.30	Wall edging profile, 32 mm, and plug system.....	2.29
Edging profile, 15 mm.....	2.22	Z-finish profile.....	2.41
Edging profile, 15 mm, and plug system.....	2.31		
Edging profile, 20 mm.....	2.22		
Edging profile, 20 mm, and plug system.....	2.32		
Edging profile, 27 mm.....	2.23		
Edging profile, 8.5 mm.....	2.40		
Edging, 1 pc. left and 1 pc. right.....	3.13		
External angle.....	3.14		
Flat edging profile, drilled, with decorative grooves.....	1.22		





# Building-material catalogue

## Index

### Item number summary

02455	Step edging profile, grooved, drilled.....	1.29	06446	Level compensator profile, drilled, with decorative grooves .....	1.24
02457	Step edging profile, wide, grooved, drilled .....	1.29	06447	Level compensator profile, drilled, with decorative grooves .....	1.24
02511	Cover strip, arched, drilled.....	1.07	06450	Edge profile, drilled .....	1.26
02512	Cover strip, arched, drilled.....	1.07	06452	Step edging profile, wide, grooved, drilled .....	1.29
02540	Cover strip, extra flat, drilled.....	1.10	06453	Step edging profile, for inserts, drilled .....	1.30
02542	Step edging profile, drilled, with decorative grooves.....	1.28	06454	Step edging profile, for inserts, drilled .....	1.30
02543	Angle edging profile, drilled, with decorative grooves.....	1.23	06457	Step edging profile, wide, grooved, drilled .....	1.29
02544	Cover strip, flat, drilled.....	1.11	07408	Round edging profile, grooved, drilled.....	1.22
02552	Step edging profile, wide, grooved, drilled .....	1.29	07409	Step edging profile, narrow, grooved, drilled.....	1.28
02708	Round edging profile, grooved, drilled.....	1.22	07411	Cover strip, arched, drilled.....	1.07
02709	Step edging profile, narrow, grooved, drilled.....	1.28	07412	Cover strip, arched, drilled.....	1.07
02711	Cover strip, arched, drilled.....	1.07	07413	Cover strip, arched, drilled.....	1.07
02712	Cover strip, arched, drilled.....	1.07	07414	Edging cover strip, extra narrow.....	1.10
02718	Levelling profile, drilled .....	1.25	07418	Levelling profile, drilled .....	1.25
02719	Cover strip, arched, drilled.....	1.07	07419	Cover strip, arched, drilled.....	1.07
02740	Cover strip, extra flat, drilled.....	1.10	07440	Cover strip, extra flat, drilled.....	1.10
02742	Step edging profile, drilled, with decorative grooves.....	1.28	07441	Flat edging profile, drilled, with decorative grooves .....	1.22
02743	Angle edging profile, drilled, with decorative grooves.....	1.23	07442	Step edging profile, drilled, with decorative grooves.....	1.28
02744	Cover strip, flat, drilled.....	1.11	07443	Angle edging profile, drilled, with decorative grooves.....	1.23
02752	Step edging profile, wide, grooved, drilled .....	1.29	07444	Cover strip, flat, drilled.....	1.11
03408	Round edging profile, grooved, drilled.....	1.22	07445	Level compensator profile, drilled, with decorative grooves .....	1.24
03409	Step edging profile, narrow, grooved, drilled.....	1.28	07450	Edge profile, drilled .....	1.26
03411	Cover strip, arched, drilled.....	1.07	07452	Step edging profile, wide, grooved, drilled .....	1.29
03412	Cover strip, arched, drilled.....	1.07	07453	Step edging profile, for inserts, drilled .....	1.30
03413	Cover strip, arched, drilled.....	1.07	07454	Step edging profile, for inserts, drilled.....	1.30
03414	Edging cover strip, extra narrow .....	1.10	07455	Step edging profile, grooved, drilled.....	1.29
03418	Levelling profile, drilled .....	1.25	07457	Step edging profile, wide, grooved, drilled .....	1.29
03419	Cover strip, arched, drilled.....	1.07	11001	Cover strip, arched, drilled.....	1.20
03440	Cover strip, extra flat, drilled.....	1.10	11002	Cover strip, arched, drilled.....	1.20
03441	Flat edging profile, drilled, with decorative grooves .....	1.22	11003	Cover strip, arched, drilled.....	1.20
03442	Step edging profile, drilled, with decorative grooves.....	1.28	11004	Cover strip, arched, drilled.....	1.20
03443	Angle edging profile, drilled, with decorative grooves.....	1.23	11005	Cover strip, arched, drilled.....	1.20
03444	Cover strip, flat, drilled.....	1.11	11006	Cover strip, arched, drilled.....	1.20
03446	Level compensator profile, drilled, with decorative grooves .....	1.24	11007	Cover strip, arched, drilled.....	1.20
03447	Level compensator profile, drilled, with decorative grooves .....	1.24	11011	Plastic step edging profile.....	1.31
03450	Edge profile, drilled .....	1.26	11014	Plastic step edging profile.....	1.31
03452	Step edging profile, wide, grooved, drilled .....	1.29	11015	Plastic step edging profile.....	1.31
03453	Step edging profile, for inserts, drilled .....	1.30	11016	Plastic step edging profile.....	1.31
03457	Step edging profile, wide, grooved, drilled .....	1.29	11021	Plastic edging profile.....	1.25
05408	Round edging profile, grooved, drilled.....	1.22	11024	Plastic edging profile.....	1.25
05409	Step edging profile, narrow, grooved, drilled.....	1.28	11025	Plastic edging profile.....	1.25
05411	Cover strip, arched, drilled.....	1.07	11026	Plastic edging profile.....	1.25
05412	Cover strip, arched, drilled.....	1.07	11040	Cover strip, arched, drilled.....	1.20
05413	Cover strip, arched, drilled.....	1.07	11041	Cover strip, arched, drilled.....	1.20
05414	Edging cover strip, extra narrow .....	1.10	11042	Cover strip, arched, drilled.....	1.20
05415	Cover strip, arched, laterally drilled .....	1.09	11043	Cover strip, arched, drilled.....	1.20
05416	Cover strip, arched, laterally drilled .....	1.09	11044	Cover strip, arched, drilled.....	1.20
05418	Levelling profile, drilled .....	1.25	11045	Cover strip, arched, drilled.....	1.20
05419	Cover strip, arched, drilled.....	1.07	11046	Cover strip, arched, drilled.....	1.20
05440	Cover strip, extra flat, drilled.....	1.10	11047	Cover strip, arched, drilled.....	1.20
05441	Flat edging profile, drilled, with decorative grooves .....	1.22	11050	Cover strip, arched, drilled.....	1.20
05442	Step edging profile, drilled, with decorative grooves.....	1.28	11051	Cover strip, arched, drilled.....	1.20
05443	Angle edging profile, drilled, with decorative grooves.....	1.23	11052	Cover strip, arched, drilled.....	1.20
05444	Cover strip, flat, drilled.....	1.11	11053	Cover strip, arched, drilled.....	1.20
05445	Level compensator profile, drilled, with decorative grooves .....	1.24	11054	Cover strip, arched, drilled.....	1.20
05446	Level compensator profile, drilled, with decorative grooves .....	1.24	11055	Cover strip, arched, drilled.....	1.20
05447	Level compensator profile, drilled, with decorative grooves .....	1.24	11056	Cover strip, arched, drilled.....	1.20
05450	Edge profile, drilled .....	1.26	15011	Plastic step edging profile.....	1.31
05452	Step edging profile, wide, grooved, drilled .....	1.29	15014	Plastic step edging profile.....	1.31
05453	Step edging profile, for inserts, drilled .....	1.30	15015	Plastic step edging profile.....	1.31
05454	Step edging profile, for inserts, drilled .....	1.30	15016	Plastic step edging profile.....	1.31
05455	Step edging profile, grooved, drilled.....	1.29	15021	Plastic edging profile.....	1.25
05457	Step edging profile, wide, grooved, drilled .....	1.29	20201	Cover strip, arched, drilled.....	1.15
05711	Cover strip, arched, drilled.....	1.07	20202	Cover strip, arched, drilled.....	1.15
05718	Levelling profile, drilled .....	1.25	20203	Cover strip, arched, drilled.....	1.18
05719	Cover strip, arched, drilled.....	1.07	20204	Cover strip, arched, drilled.....	1.18
05741	Flat edging profile, drilled, with decorative grooves .....	1.22	20205	Cover strip, arched, drilled.....	1.15
05742	Step edging profile, drilled, with decorative grooves.....	1.28	20206	Cover strip, arched, drilled.....	1.15
05743	Angle edging profile, drilled, with decorative grooves.....	1.23	24201	Cover strip, arched, drilled.....	1.15
05744	Cover strip, flat, drilled.....	1.11	24202	Cover strip, arched, drilled.....	1.15
05752	Step edging profile, wide, grooved, drilled .....	1.29	24203	Cover strip, arched, drilled.....	1.18
05757	Step edging profile, wide, grooved, drilled .....	1.29	24204	Cover strip, arched, drilled.....	1.18
06408	Round edging profile, grooved, drilled.....	1.22	35273	Cover strip, arched, self-adhesive – door dimensions.....	1.19
06409	Step edging profile, narrow, grooved, drilled.....	1.28	35275	Cover strip, arched, self-adhesive – door dimensions.....	1.17
06411	Cover strip, arched, drilled.....	1.07	35281	Cover strip, arched, drilled – door dimensions .....	1.16
06412	Cover strip, arched, drilled.....	1.07	35283	Cover strip, arched, drilled – door dimensions .....	1.19
06413	Cover strip, arched, drilled.....	1.07	35284	Cover strip, arched, drilled – door dimensions .....	1.19
06414	Edging cover strip, extra narrow .....	1.10	35285	Cover strip, arched, drilled – door dimensions .....	1.16
06415	Cover strip, arched, laterally drilled .....	1.09	35286	Cover strip, arched, drilled – door dimensions .....	1.16
06416	Cover strip, arched, laterally drilled .....	1.09	35290	Cover strip, arched, drilled – door dimensions .....	1.17
06418	Levelling profile, drilled .....	1.25	35291	Cover strip, arched, drilled – door dimensions .....	1.17
06419	Cover strip, arched, drilled.....	1.07	35292	Cover strip, arched, self-adhesive – door dimensions.....	1.18
06440	Cover strip, extra flat, drilled.....	1.10	35293	Cover strip, arched, self-adhesive – door dimensions.....	1.18
06441	Flat edging profile, drilled, with decorative grooves .....	1.22	35296	Cover strip, arched, self-adhesive – door dimensions.....	1.18
06442	Step edging profile, drilled, with decorative grooves.....	1.28	35297	Cover strip, arched, self-adhesive – door dimensions.....	1.18
06443	Angle edging profile, drilled, with decorative grooves.....	1.23	35323	Cover strip, arched, self-adhesive – door dimensions.....	1.19
06444	Cover strip, flat, drilled.....	1.11	35325	Cover strip, arched, self-adhesive – door dimensions.....	1.17
06445	Level compensator profile, drilled, with decorative grooves .....	1.24	35333	Cover strip, arched, drilled – door dimensions.....	1.19

# Building-material catalogue

## Index

### Item number summary

35334	Cover strip, arched, drilled – door dimensions	1.19	50803	Cover strip, flat, self-adhesive	2.45
35335	Cover strip, arched, drilled – door dimensions	1.16	50804	Cover strip, flat, self-adhesive	2.45
35336	Cover strip, arched, drilled – door dimensions	1.16	50805	Cover strip, arched, self-adhesive	2.13
35340	Cover strip, arched, drilled – door dimensions	1.17	50806	Cover strip, arched, self-adhesive	2.13
35341	Cover strip, arched, drilled – door dimensions	1.17	50807	Angle edging profile	2.42
35342	Cover strip, arched, self-adhesive – door dimensions	1.18	51125	Screw and dowel	1.32
35343	Cover strip, arched, self-adhesive – door dimensions	1.18	51125	Countersunk screw with plug	2.15
35346	Cover strip, arched, self-adhesive – door dimensions	1.18	51126	Screw and dowel	1.32
35347	Cover strip, arched, self-adhesive – door dimensions	1.18	51127	Screw and dowel	1.32
35373	Cover strip, arched, self-adhesive – door dimensions	1.19	51132	Screw and dowel	1.32
35375	Cover strip, arched, self-adhesive – door dimensions	1.17	51133	Screw and dowel	1.32
35383	Cover strip, arched, drilled – door dimensions	1.19	54110	Z-finish profile	2.41
35384	Cover strip, arched, drilled – door dimensions	1.19	54120	Edging cover strip, extra narrow, self-adhesive	1.10
35385	Cover strip, arched, drilled – door dimensions	1.16	54125	Edging cover strip, extra narrow, self-adhesive	1.10
35386	Cover strip, arched, drilled – door dimensions	1.16	54140	Edge profile	2.42
35390	Cover strip, arched, drilled – door dimensions	1.17	54142	Edge profile	2.42
35391	Cover strip, arched, drilled – door dimensions	1.17	54150	Angle edging profile	2.41
35392	Cover strip, arched, self-adhesive – door dimensions	1.18	54250	Angle edging profile	2.44
35393	Cover strip, arched, self-adhesive – door dimensions	1.18	54251	Angle edging profile	2.44
35394	Cover strip, arched, drilled – door dimensions	1.17	54265	Level compensator profile	2.45
35395	Cover strip, arched, drilled – door dimensions	1.17	54266	Level compensator profile	2.45
35396	Cover strip, arched, self-adhesive – door dimensions	1.18	54500	Cover strip, 33 mm, and plug system	2.25
35397	Cover strip, arched, self-adhesive – door dimensions	1.18	54501	Cover strip, 33 mm, and plug system	2.25
35433	Cover strip, arched, drilled – door dimensions	1.19	54502	Cover strip, 33 mm, and plug system	2.25
35434	Cover strip, arched, drilled – door dimensions	1.19	54503	Cover strip, 33 mm, and plug system	2.25
35435	Cover strip, arched, drilled – door dimensions	1.16	54504	Cover strip, 33 mm, and plug system	2.25
35436	Cover strip, arched, drilled – door dimensions	1.16	54505	Cover strip, 33 mm, and plug system	2.25
35440	Cover strip, arched, drilled – door dimensions	1.17	54506	Cover strip, 33 mm, and plug system	2.25
35441	Cover strip, arched, drilled – door dimensions	1.17	54507	Cover strip, 33 mm, and plug system	2.25
35442	Cover strip, arched, self-adhesive – door dimensions	1.18	54508	Cover strip, 33 mm, and plug system	2.25
35453	Cover strip, arched, self-adhesive – door dimensions	1.19	54509	Cover strip, 33 mm, and plug system	2.25
35455	Cover strip, arched, self-adhesive – door dimensions	1.17	54510	Cover strip, 33 mm, and plug system	2.25
50001	Cover strip, arched, drilled	1.20	54511	Cover strip, 33 mm, and plug system	2.25
50002	Cover strip, arched, drilled	1.20	54532	Level compensator profile, 40 mm, and plug system	2.27
50003	Cover strip, arched, drilled	1.20	54533	Level compensator profile, 40 mm, and plug system	2.27
50004	Cover strip, arched, drilled	1.20	54534	Level compensator profile, 40 mm, and plug system	2.27
50005	Cover strip, arched, drilled	1.20	54535	Level compensator profile, 40 mm, and plug system	2.27
50006	Cover strip, arched, drilled	1.20	54536	Level compensator profile, 40 mm, and plug system	2.27
50007	Cover strip, arched, drilled	1.20	54537	Level compensator profile, 40 mm, and plug system	2.27
50011	Plastic step edging profile	1.31	54538	Level compensator profile, 40 mm, and plug system	2.27
50014	Plastic step edging profile	1.31	54539	Level compensator profile, 40 mm, and plug system	2.27
50015	Plastic step edging profile	1.31	54540	Level compensator profile, 40 mm, and plug system	2.27
50016	Plastic step edging profile	1.31	54542	Level compensator profile, 40 mm, and plug system	2.27
50021	Plastic edging profile	1.25	54548	Level compensator profile, 56 mm, and plug system	2.28
50024	Plastic edging profile	1.25	54549	Level compensator profile, 56 mm, and plug system	2.28
50025	Plastic edging profile	1.25	54551	Level compensator profile, 56 mm, and plug system	2.28
50026	Plastic edging profile	1.25	54552	Level compensator profile, 56 mm, and plug system	2.28
50031	Edging cover strip, extra narrow, self-adhesive	1.21	54553	Level compensator profile, 56 mm, and plug system	2.28
50034	Edging cover strip, extra narrow, self-adhesive	1.21	54554	Level compensator profile, 56 mm, and plug system	2.28
50035	Edging cover strip, extra narrow, self-adhesive	1.21	54555	Level compensator profile, 56 mm, and plug system	2.28
50036	Edging cover strip, extra narrow, self-adhesive	1.21	54558	Level compensator profile, 56 mm, and plug system	2.28
50041	Plastic edging profile, self-adhesive	1.25	54564	Wall edging profile, 32 mm, and plug system	2.29
50044	Plastic edging profile, self-adhesive	1.25	54565	Wall edging profile, 32 mm, and plug system	2.29
50045	Plastic edging profile, self-adhesive	1.25	54567	Wall edging profile, 32 mm, and plug system	2.29
50046	Plastic edging profile, self-adhesive	1.25	54568	Wall edging profile, 32 mm, and plug system	2.29
50051	Plastic step edging profile	1.32	54569	Wall edging profile, 32 mm, and plug system	2.29
50054	Plastic step edging profile	1.32	54570	Wall edging profile, 32 mm, and plug system	2.29
50081	Buckling angle, self-adhesive	3.17	54574	Wall edging profile, 32 mm, and plug system	2.29
50082	Buckling angle, self-adhesive	3.17	54580	Edging profile, 12.5 mm, and plug system	2.30
50084	Buckling angle, self-adhesive	3.17	54581	Edging profile, 12.5 mm, and plug system	2.30
50087	Buckling angle, self-adhesive	3.17	54586	Edging profile, 12.5 mm, and plug system	2.30
50101	Buckling angle, self-adhesive	3.17	54596	Edging profile, 15 mm, and plug system	2.31
50102	Buckling angle, self-adhesive	3.17	54628	Cover strip, flat, 33 mm, and plug system	2.24
50104	Buckling angle, self-adhesive	3.17	54629	Cover strip, flat, 33 mm, and plug system	2.24
50105	Buckling angle, self-adhesive	3.17	54630	Cover strip, flat, 33 mm, and plug system	2.24
50107	Buckling angle, self-adhesive	3.17	54631	Cover strip, flat, 33 mm, and plug system	2.24
50108	Buckling angle, self-adhesive	3.17	54632	Cover strip, flat, 33 mm, and plug system	2.24
50109	Buckling angle, self-adhesive	3.17	54633	Cover strip, flat, 33 mm, and plug system	2.24
50119	Buckling angle, self-adhesive	3.17	54634	Cover strip, flat, 33 mm, and plug system	2.24
50141	Soft baseboard, self-adhesive	3.17	54635	Cover strip, flat, 33 mm, and plug system	2.24
50142	Soft baseboard, self-adhesive	3.17	54636	Cover strip, flat, 33 mm, and plug system	2.24
50144	Soft baseboard, self-adhesive	3.17	54637	Cover strip, flat, 33 mm, and plug system	2.24
50145	Soft baseboard, self-adhesive	3.17	54638	Cover strip, flat, 33 mm, and plug system	2.24
50147	Soft baseboard, self-adhesive	3.17	54639	Cover strip, flat, 33 mm, and plug system	2.24
50148	Soft baseboard, self-adhesive	3.17	55266	Cable duct cover	3.12
50149	Soft baseboard, self-adhesive	3.17	55660	Internal angle	3.14
50159	Soft baseboard, self-adhesive	3.17	55662	Internal angle	3.14
50181	Soft baseboard, self-adhesive	3.17	55663	Internal angle	3.14
50182	Soft baseboard, self-adhesive	3.17	55666	Internal angle	3.14
50184	Soft baseboard, self-adhesive	3.17	55680	External angle	3.14
50185	Soft baseboard, self-adhesive	3.17	55682	External angle	3.14
50187	Soft baseboard, self-adhesive	3.17	55683	External angle	3.14
50188	Soft baseboard, self-adhesive	3.17	55686	External angle	3.14
50199	Soft baseboard, self-adhesive	3.17	55700	Edging, 1 pc. left and 1 pc. right	3.13
50322	Soft baseboard, self-adhesive	3.17	55702	Edging, 1 pc. left and 1 pc. right	3.13
50800	Edge profile	2.43	55703	Edging, 1 pc. left and 1 pc. right	3.13
50801	Edge profile	2.43	55706	Edging, 1 pc. left and 1 pc. right	3.13
50802	Edge profile	2.45	55740	Connector	3.13

# Building-material catalogue

## Index

### Item number summary

55742 Connector	3.13	80112 Cover strip, arched, drilled	1.15
55743 Connector	3.13	80113 Cover strip, arched, drilled	1.15
55746 Connector	3.13	80120 'High-polish' cover strip, arched, drilled	1.09
55760 Cable duct branching	3.15	80121 'High-polish' cover strip, arched, drilled	1.09
55766 Cable duct branching	3.15	80220 'High-polish' cover strip, arched, self-adhesive	1.09
55820 Internal angle	3.14	80221 'High-polish' cover strip, arched, self-adhesive	1.09
55822 Internal angle	3.14	81108 Round edging profile, grooved, drilled	1.22
55823 Internal angle	3.14	81109 Step edging profile, narrow, grooved, drilled	1.28
55826 Internal angle	3.14	81141 Flat edging profile, drilled, with decorative grooves	1.22
55840 External angle	3.14	81142 Step edging profile, drilled, with decorative grooves	1.28
55842 External angle	3.14	81143 Angle edging profile, drilled, with decorative grooves	1.23
55843 External angle	3.14	81145 Level compensator profile, drilled, with decorative grooves	1.24
55846 External angle	3.14	81146 Level compensator profile, drilled, with decorative grooves	1.24
55860 Edging, 1 pc. left and 1 pc. right	3.13	81147 Level compensator profile, drilled, with decorative grooves	1.24
55862 Edging, 1 pc. left and 1 pc. right	3.13	81150 Edge profile, drilled	1.26
55863 Edging, 1 pc. left and 1 pc. right	3.13	81152 Step edging profile, wide, grooved, drilled	1.29
55866 Edging, 1 pc. left and 1 pc. right	3.13	81156 Step edging profile, for inserts, drilled	1.30
55900 Connector	3.13	81208 Round edging profile, grooved, drilled	1.22
55902 Connector	3.13	81209 Step edging profile, narrow, grooved, drilled	1.28
55903 Connector	3.13	81241 Flat edging profile, drilled, with decorative grooves	1.22
55906 Connector	3.13	81242 Step edging profile, drilled, with decorative grooves	1.28
55920 Cable duct branching	3.15	81243 Angle edging profile, drilled, with decorative grooves	1.23
55926 Cable duct branching	3.15	81245 Level compensator profile, drilled, with decorative grooves	1.24
55980 Cable clip	3.15	81246 Level compensator profile, drilled, with decorative grooves	1.24
55981 Grounded conductor clamp	3.16	81247 Level compensator profile, drilled, with decorative grooves	1.24
55985 Sealing lip	3.15	81250 Edge profile, drilled	1.26
55986 Screw and dowel	3.16	81252 Step edging profile, wide, grooved, drilled	1.29
56036 Cable duct baseboard, 45 mm	3.08	81308 Round edging profile, grooved, drilled	1.22
56076 Cable duct baseboard, 60 mm	3.09	81309 Step edging profile, narrow, grooved, drilled	1.28
56100 Cable duct baseboard, 45 mm	3.09	81341 Flat edging profile, drilled, with decorative grooves	1.22
56101 Cable duct baseboard, 45 mm	3.09	81342 Step edging profile, drilled, with decorative grooves	1.28
56107 Cable duct baseboard, 45 mm	3.09	81343 Angle edging profile, drilled, with decorative grooves	1.23
56126 Cable duct baseboard, 45 mm	3.08	81345 Level compensator profile, drilled, with decorative grooves	1.24
56136 Cable duct baseboard, 45 mm	3.08	81346 Level compensator profile, drilled, with decorative grooves	1.24
56140 Cable duct baseboard, 60 mm	3.10	81347 Level compensator profile, drilled, with decorative grooves	1.24
56141 Cable duct baseboard, 60 mm	3.10	81350 Edge profile, drilled	1.26
56142 Cable duct baseboard, 60 mm	3.10	81352 Step edging profile, wide, grooved, drilled	1.29
56147 Cable duct baseboard, 60 mm	3.10	81391 Cover strip, arched, drilled	1.15
56166 Cable duct baseboard, 60 mm	3.09	81392 Cover strip, arched, drilled	1.15
56206 Cable duct baseboard	3.11	81393 Cover strip, arched, drilled	1.18
56216 Cable duct baseboard	3.11	81394 Cover strip, arched, drilled	1.18
56500 Support, 45 mm	3.07	81395 Cover strip, arched, drilled	1.15
56510 Support, 60 mm	3.07	81396 Cover strip, arched, drilled	1.15
56520 Cable duct carrier	3.12	81508 Round edging profile, grooved, drilled	1.22
56560 Cable duct baseboard, 45 mm	3.08	81509 Step edging profile, narrow, grooved, drilled	1.28
56561 Cable duct baseboard, 45 mm	3.08	81515 Cover strip, arched, laterally drilled	1.09
56580 Cable duct baseboard, 60 mm	3.09	81516 Cover strip, arched, laterally drilled	1.09
56581 Cable duct baseboard, 60 mm	3.10	81541 Flat edging profile, drilled, with decorative grooves	1.22
56597 Cable duct cover	3.12	81542 Step edging profile, drilled, with decorative grooves	1.28
56616 Cable duct cover	3.12	81543 Angle edging profile, drilled, with decorative grooves	1.23
56798 Cable duct baseboard set, 60 mm	3.10	81545 Level compensator profile, drilled, with decorative grooves	1.24
72512 Joint cover profile	1.12	81546 Level compensator profile, drilled, with decorative grooves	1.24
72513 Joint cover profile	1.12	81547 Level compensator profile, drilled, with decorative grooves	1.24
72517 Joint cover profile	1.12	81550 Edge profile, drilled	1.26
72518 Joint cover profile	1.12	81552 Step edging profile, wide, grooved, drilled	1.29
72522 Joint cover profile	1.12	81555 Step edging profile, grooved, drilled	1.29
72523 Joint cover profile	1.12	81556 Step edging profile, for inserts, drilled	1.30
72527 Joint cover profile	1.12	81608 Round edging profile, grooved, drilled	1.22
72528 Joint cover profile	1.12	81609 Step edging profile, narrow, grooved, drilled	1.28
72532 Joint cover profile	1.17	81641 Flat edging profile, drilled, with decorative grooves	1.22
72533 Joint cover profile	1.17	81642 Step edging profile, drilled, with decorative grooves	1.28
72537 Joint cover profile	1.17	81643 Angle edging profile, drilled, with decorative grooves	1.23
72538 Joint cover profile	1.17	81645 Level compensator profile, drilled, with decorative grooves	1.24
72612 Joint cover profile	1.12	81646 Level compensator profile, drilled, with decorative grooves	1.24
72613 Joint cover profile	1.12	81647 Level compensator profile, drilled, with decorative grooves	1.24
72617 Joint cover profile	1.12	81650 Edge profile, drilled	1.26
72618 Joint cover profile	1.12	81652 Step edging profile, wide, grooved, drilled	1.29
72622 Joint cover profile	1.12	81708 Round edging profile, grooved, drilled	1.22
72623 Joint cover profile	1.12	81741 Flat edging profile, drilled, with decorative grooves	1.22
72627 Joint cover profile	1.12	81742 Step edging profile, drilled, with decorative grooves	1.28
72628 Joint cover profile	1.12	81743 Angle edging profile, drilled, with decorative grooves	1.23
72632 Joint cover profile	1.12	81745 Level compensator profile, drilled, with decorative grooves	1.24
72633 Joint cover profile	1.12	81746 Level compensator profile, drilled, with decorative grooves	1.24
72637 Joint cover profile	1.12	81747 Level compensator profile, drilled, with decorative grooves	1.24
72638 Joint cover profile	1.12	81750 Edge profile, drilled	1.26
72643 Joint cover profile	1.14	81752 Step edging profile, wide, grooved, drilled	1.29
72653 Joint cover profile	1.14	81791 Cover strip, arched, drilled	1.15
72663 Joint cover profile	1.14	81792 Cover strip, arched, drilled	1.15
72673 Joint cover profile	1.14	81793 Cover strip, arched, drilled	1.18
72683 Joint cover profile	1.14	81794 Cover strip, arched, drilled	1.18
72693 Joint cover profile	1.14	81795 Cover strip, arched, drilled	1.15
72703 Joint cover profile	1.14	81796 Cover strip, arched, drilled	1.15
77800 Step repair bracket, for wooden stairs	1.33	82108 Round edging profile, grooved, drilled	1.22
77801 Step repair bracket, for wooden stairs	1.33	82109 Step edging profile, narrow, grooved, drilled	1.28
77802 Step repair bracket, for stone stairs	1.33	82111 Cover strip, arched, drilled	1.07
79981 Wall covering corner bar	1.33	82112 Cover strip, arched, drilled	1.07
80110 Cover strip, arched, drilled	1.15	82113 Cover strip, arched, drilled	1.07
80111 Cover strip, arched, drilled	1.15	82114 Edging cover strip, extra narrow	1.10

# Building-material catalogue

## Index

### Item number summary

82115	Cover strip, arched, laterally drilled	1.09	82773	Cover strip, arched, self-adhesive	1.13
82116	Cover strip, arched, laterally drilled	1.09	82774	Cover strip, arched, self-adhesive	1.13
82119	Cover strip, arched, drilled	1.07	82777	Cover strip, arched, self-adhesive	1.13
82140	Cover strip, extra flat, drilled	1.10	82778	Cover strip, arched, self-adhesive	1.13
82141	Flat edging profile, drilled, with decorative grooves	1.22	82780	Cover strip, flat, self-adhesive	1.14
82142	Step edging profile, drilled, with decorative grooves	1.28	82781	Cover strip, flat, self-adhesive	1.14
82143	Angle edging profile, drilled, with decorative grooves	1.23	82782	Cover strip, flat, self-adhesive	1.14
82144	Cover strip, flat, drilled	1.11	82783	Cover strip, flat, self-adhesive	1.14
82145	Level compensator profile, drilled, with decorative grooves	1.24	82784	Cover strip, flat, self-adhesive	1.14
82146	Level compensator profile, drilled, with decorative grooves	1.24	82785	Cover strip, flat, self-adhesive	1.14
82147	Level compensator profile, drilled, with decorative grooves	1.24	82786	Cover strip, flat, self-adhesive	1.14
82150	Edge profile, drilled	1.26	82787	Cover strip, flat, self-adhesive	1.14
82152	Step edging profile, wide, grooved, drilled	1.29	82788	Cover strip, flat, self-adhesive	1.14
82208	Round edging profile, grooved, drilled	1.22	82790	Level compensator profile, self-adhesive	1.27
82209	Step edging profile, narrow, grooved, drilled	1.28	82791	Level compensator profile, self-adhesive	1.27
82211	Cover strip, arched, drilled	1.07	82792	Level compensator profile, self-adhesive	1.27
82212	Cover strip, arched, drilled	1.07	82800	Cover strip, arched, self-adhesive	1.08
82213	Cover strip, arched, drilled	1.07	82801	Cover strip, arched, self-adhesive	1.08
82214	Edging cover strip, extra narrow	1.10	82802	Cover strip, arched, self-adhesive	1.08
82215	Cover strip, arched, laterally drilled	1.09	82809	Cover strip, arched, self-adhesive	1.08
82216	Cover strip, arched, laterally drilled	1.09	82978	Level compensator profile, self-adhesive	1.27
82219	Cover strip, arched, drilled	1.07	82979	Level compensator profile, self-adhesive	1.27
82240	Cover strip, extra flat, drilled	1.10	83509	Step edging profile, narrow, grooved, drilled	1.28
82241	Flat edging profile, drilled, with decorative grooves	1.22	83511	Cover strip, arched, drilled	1.07
82242	Step edging profile, drilled, with decorative grooves	1.28	83512	Cover strip, arched, drilled	1.07
82243	Angle edging profile, drilled, with decorative grooves	1.23	83541	Flat edging profile, drilled, with decorative grooves	1.22
82244	Cover strip, flat, drilled	1.11	83542	Step edging profile, drilled, with decorative grooves	1.28
82245	Level compensator profile, drilled, with decorative grooves	1.24	83543	Angle edging profile, drilled, with decorative grooves	1.23
82246	Level compensator profile, drilled, with decorative grooves	1.24	83544	Cover strip, flat, drilled	1.11
82247	Level compensator profile, drilled, with decorative grooves	1.24	83552	Step edging profile, wide, grooved, drilled	1.29
82250	Edge profile, drilled	1.26	83609	Step edging profile, narrow, grooved, drilled	1.28
82252	Step edging profile, wide, grooved, drilled	1.29	83611	Cover strip, arched, drilled	1.07
82308	Round edging profile, grooved, drilled	1.22	83612	Cover strip, arched, drilled	1.07
82309	Step edging profile, narrow, grooved, drilled	1.28	83641	Flat edging profile, drilled, with decorative grooves	1.22
82311	Cover strip, arched, drilled	1.07	83642	Step edging profile, drilled, with decorative grooves	1.28
82312	Cover strip, arched, drilled	1.07	83643	Angle edging profile, drilled, with decorative grooves	1.23
82313	Cover strip, arched, drilled	1.07	83644	Cover strip, flat, drilled	1.11
82314	Edging cover strip, extra narrow	1.10	83652	Step edging profile, wide, grooved, drilled	1.29
82319	Cover strip, arched, drilled	1.07	83709	Step edging profile, narrow, grooved, drilled	1.28
82340	Cover strip, extra flat, drilled	1.10	83711	Cover strip, arched, drilled	1.07
82341	Flat edging profile, drilled, with decorative grooves	1.22	83712	Cover strip, arched, drilled	1.07
82342	Step edging profile, drilled, with decorative grooves	1.28	83741	Flat edging profile, drilled, with decorative grooves	1.22
82343	Angle edging profile, drilled, with decorative grooves	1.23	83742	Step edging profile, drilled, with decorative grooves	1.28
82344	Cover strip, flat, drilled	1.11	83743	Angle edging profile, drilled, with decorative grooves	1.23
82345	Level compensator profile, drilled, with decorative grooves	1.24	83744	Cover strip, flat, drilled	1.11
82346	Level compensator profile, drilled, with decorative grooves	1.24	83752	Step edging profile, wide, grooved, drilled	1.29
82347	Level compensator profile, drilled, with decorative grooves	1.24	84001	Aluminium support profile with <b>alfer</b> -fix	2.33
82350	Edge profile, drilled	1.26	84002	Aluminium support profile with <b>alfer</b> -fix	2.33
82352	Step edging profile, wide, grooved, drilled	1.29	84003	Aluminium support profile with <b>alfer</b> -fix	2.33
82391	Cover strip, arched, drilled	1.15	84004	Aluminium support profile with <b>alfer</b> -fix	2.33
82392	Cover strip, arched, drilled	1.15	84010	Cover strip, 46 mm, drilled	2.35
82393	Cover strip, arched, drilled	1.18	84011	Cover strip, 46 mm, drilled	2.35
82394	Cover strip, arched, drilled	1.18	84012	Cover strip, 46 mm, drilled	2.35
82411	Cover strip, arched, drilled	1.07	84013	Cover strip, 46 mm, drilled	2.35
82444	Cover strip, flat, drilled	1.11	84014	Cover strip, 46 mm, drilled	2.35
82452	Step edging profile, wide, grooved, drilled	1.29	84020	Level compensator profile, 56 mm, drilled	2.36
82509	Step edging profile, narrow, grooved, drilled	1.28	84021	Level compensator profile, 56 mm, drilled	2.36
82511	Cover strip, arched, drilled	1.07	84022	Level compensator profile, 56 mm, drilled	2.36
82519	Cover strip, arched, drilled	1.07	84023	Level compensator profile, 56 mm, drilled	2.36
82540	Cover strip, extra flat, drilled	1.10	84024	Level compensator profile, 56 mm, drilled	2.36
82541	Flat edging profile, drilled, with decorative grooves	1.22	84101	Aluminium support profile Renovation	2.33
82542	Step edging profile, drilled, with decorative grooves	1.28	84102	Aluminium support profile Renovation	2.33
82544	Cover strip, flat, drilled	1.11	84103	Aluminium support profile Renovation	2.33
82552	Step edging profile, wide, grooved, drilled	1.29	84104	Aluminium support profile Renovation	2.33
82708	Cover strip, arched, self-adhesive	1.08	84110	Cover strip, 46 mm, and support profile Renovation	2.37
82709	Cover strip, arched, self-adhesive	1.08	84111	Cover strip, 46 mm, and support profile Renovation	2.37
82719	Cover strip, arched, self-adhesive	1.08	84112	Cover strip, 46 mm, and support profile Renovation	2.37
82729	Cover strip, extra flat, self-adhesive	1.11	84113	Cover strip, 46 mm, and support profile Renovation	2.37
82730	Flat edging profile, self-adhesive, with decorative grooves	1.23	84114	Cover strip, 46 mm, and support profile Renovation	2.37
82731	Flat edging profile, self-adhesive, with decorative grooves	1.23	84120	Level compensator profile, 56 mm, and Renovation support profile	2.38
82732	Flat edging profile, self-adhesive, with decorative grooves	1.23	84121	Level compensator profile, 56 mm, and Renovation support profile	2.38
82739	Flat edging profile, self-adhesive, with decorative grooves	1.23	84122	Level compensator profile, 56 mm, and Renovation support profile	2.38
82749	Cover strip, flat, self-adhesive	1.12	84123	Level compensator profile, 56 mm, and Renovation support profile	2.38
82750	Edge profile, self-adhesive	1.26	84124	Level compensator profile, 56 mm, and Renovation support profile	2.38
82751	Edge profile, self-adhesive	1.26	84130	Cover strip, 46 mm, and support profile Renovation	2.37
82752	Edge profile, self-adhesive	1.26	84131	Cover strip, 46 mm, and support profile Renovation	2.37
82760	Cover strip, arched, self-adhesive	1.13	84132	Cover strip, 46 mm, and support profile Renovation	2.37
82761	Cover strip, arched, self-adhesive	1.13	84133	Cover strip, 46 mm, and support profile Renovation	2.37
82762	Cover strip, arched, self-adhesive	1.13	84134	Cover strip, 46 mm, and support profile Renovation	2.37
82763	Cover strip, arched, self-adhesive	1.13	84140	Level compensator profile, 56 mm, and Renovation support profile	2.38
82764	Cover strip, arched, self-adhesive	1.13	84141	Level compensator profile, 56 mm, and Renovation support profile	2.38
82765	Cover strip, arched, self-adhesive	1.13	84142	Level compensator profile, 56 mm, and Renovation support profile	2.38
82766	Cover strip, arched, self-adhesive	1.13	84143	Level compensator profile, 56 mm, and Renovation support profile	2.38
82767	Cover strip, arched, self-adhesive	1.13	84144	Level compensator profile, 56 mm, and Renovation support profile	2.38
82768	Cover strip, arched, self-adhesive	1.13	84150	Cover strip, 46 mm, and support profile Renovation	2.37
82770	Cover strip, arched, self-adhesive	1.13	84151	Cover strip, 46 mm, and support profile Renovation	2.37
82771	Cover strip, arched, self-adhesive	1.13	84152	Cover strip, 46 mm, and support profile Renovation	2.37
82772	Cover strip, arched, self-adhesive	1.13	84153	Cover strip, 46 mm, and support profile Renovation	2.37





# Building-material catalogue

## Index

### Item number summary

84614 Edging profile, 20 mm, and plug system.....	2.32	88084 Cover strip, 33 mm.....	2.16
84615 Edging profile, 20 mm, and plug system.....	2.32	88085 Cover strip, 33 mm.....	2.16
84616 Edging profile, 20 mm, and plug system.....	2.32	88086 Cover strip, 33 mm.....	2.16
84617 Edging profile, 20 mm, and plug system.....	2.32	88087 Cover strip, 33 mm.....	2.16
84618 Edging profile, 20 mm, and plug system.....	2.32	88088 Cover strip, 33 mm.....	2.16
84619 Edging profile, 20 mm, and plug system.....	2.32	88089 Cover strip, 33 mm.....	2.16
84620 Edging profile, 20 mm, and plug system.....	2.32	88090 Level compensator profile, 40 mm.....	2.18
84621 Edging profile, 20 mm, and plug system.....	2.32	88091 Level compensator profile, 40 mm.....	2.18
84622 Edging profile, 20 mm, and plug system.....	2.32	88092 Level compensator profile, 40 mm.....	2.18
84623 Edging profile, 20 mm, and plug system.....	2.32	88093 Level compensator profile, 40 mm.....	2.18
84628 Cover strip, flat, 33 mm, and plug system.....	2.24	88094 Level compensator profile, 40 mm.....	2.18
84629 Cover strip, flat, 33 mm, and plug system.....	2.24	88095 Level compensator profile, 40 mm.....	2.18
84630 Cover strip, flat, 33 mm, and plug system.....	2.24	88096 Level compensator profile, 40 mm.....	2.18
84631 Cover strip, flat, 33 mm, and plug system.....	2.24	88097 Level compensator profile, 40 mm.....	2.18
84632 Cover strip, flat, 33 mm, and plug system.....	2.24	88098 Level compensator profile, 40 mm.....	2.18
84633 Cover strip, flat, 33 mm, and plug system.....	2.24	88099 Level compensator profile, 40 mm.....	2.18
84634 Cover strip, flat, 33 mm, and plug system.....	2.24	88110 Z-finish profile.....	2.41
84635 Cover strip, flat, 33 mm, and plug system.....	2.24	88111 Z-finish profile.....	2.41
84636 Cover strip, flat, 33 mm, and plug system.....	2.24	88112 Z-finish profile.....	2.41
84637 Cover strip, flat, 33 mm, and plug system.....	2.24	88130 Edge profile.....	2.42
84638 Cover strip, flat, 33 mm, and plug system.....	2.24	88131 Edge profile.....	2.42
84639 Cover strip, flat, 33 mm, and plug system.....	2.24	88132 Edge profile.....	2.42
88000 Plastic support profile with <b>alfer</b> -fix.....	2.15	88133 Edge profile.....	2.42
88001 Plastic support profile with <b>alfer</b> -fix.....	2.15	88134 Edge profile.....	2.42
88002 Plastic support profile with <b>alfer</b> -fix.....	2.15	88135 Edge profile.....	2.42
88003 Plastic support profile with <b>alfer</b> -fix.....	2.15	88136 Edge profile.....	2.42
88004 Plastic support profile with <b>alfer</b> -fix.....	2.15	88137 Edge profile.....	2.42
88008 Mounting aid.....	2.34	88139 Edge profile.....	2.42
88008 Mounting aid.....	2.15	88140 Edge profile.....	2.42
88010 Cover strip, 46 mm.....	2.17	88141 Edge profile.....	2.42
88011 Cover strip, 46 mm.....	2.17	88142 Edge profile.....	2.42
88012 Cover strip, 46 mm.....	2.17	88144 Edge profile.....	2.42
88013 Cover strip, 46 mm.....	2.17	88150 Angle edging profile.....	2.41
88014 Cover strip, 46 mm.....	2.17	88151 Angle edging profile.....	2.41
88015 Cover strip, 46 mm.....	2.17	88152 Angle edging profile.....	2.41
88016 Cover strip, 46 mm.....	2.17	88153 Angle edging profile.....	2.41
88017 Cover strip, 46 mm.....	2.17	88154 Angle edging profile.....	2.41
88018 Cover strip, 46 mm.....	2.17	88155 Angle edging profile.....	2.41
88019 Cover strip, 46 mm.....	2.17	88156 Angle edging profile.....	2.41
88020 Level compensator profile, 56 mm.....	2.19	88157 Angle edging profile.....	2.41
88021 Level compensator profile, 56 mm.....	2.19	88158 Angle edging profile.....	2.41
88022 Level compensator profile, 56 mm.....	2.19	88159 Angle edging profile.....	2.41
88023 Level compensator profile, 56 mm.....	2.19	88160 Level compensator profile.....	2.43
88024 Level compensator profile, 56 mm.....	2.19	88161 Level compensator profile.....	2.43
88025 Level compensator profile, 56 mm.....	2.19	88162 Level compensator profile.....	2.43
88026 Level compensator profile, 56 mm.....	2.19	88163 Level compensator profile.....	2.43
88027 Level compensator profile, 56 mm.....	2.19	88164 Level compensator profile.....	2.43
88028 Level compensator profile, 56 mm.....	2.19	88165 Level compensator profile.....	2.43
88029 Level compensator profile, 56 mm.....	2.19	88166 Level compensator profile.....	2.43
88030 Wall edging profile.....	2.20	88167 Level compensator profile.....	2.43
88031 Wall edging profile.....	2.20	88170 Level compensator profile.....	2.43
88032 Wall edging profile.....	2.20	88171 Level compensator profile.....	2.43
88034 Wall edging profile.....	2.20	88172 Level compensator profile.....	2.43
88035 Wall edging profile.....	2.20	88174 Level compensator profile.....	2.43
88039 Wall edging profile.....	2.20	88175 Level compensator profile.....	2.43
88040 Edging profile, 12.5 mm.....	2.21	88200 Plastic support profile with <b>alfer</b> -fix.....	2.15
88041 Edging profile, 12.5 mm.....	2.21	88201 Plastic support profile with <b>alfer</b> -fix.....	2.15
88042 Edging profile, 12.5 mm.....	2.21	88202 Plastic support profile with <b>alfer</b> -fix.....	2.15
88043 Edging profile, 12.5 mm.....	2.21	88203 Plastic support profile with <b>alfer</b> -fix.....	2.15
88044 Edging profile, 12.5 mm.....	2.21	88204 Plastic support profile with <b>alfer</b> -fix.....	2.15
88045 Edging profile, 12.5 mm.....	2.21	88209 Plug system.....	2.16
88046 Edging profile, 12.5 mm.....	2.21	88210 Cover strip, 46 mm.....	2.17
88047 Edging profile, 12.5 mm.....	2.21	88211 Cover strip, 46 mm.....	2.17
88048 Edging profile, 12.5 mm.....	2.21	88212 Cover strip, 46 mm.....	2.17
88049 Edging profile, 12.5 mm.....	2.21	88213 Cover strip, 46 mm.....	2.17
88050 Edging profile, 15 mm.....	2.22	88214 Cover strip, 46 mm.....	2.17
88051 Edging profile, 15 mm.....	2.22	88215 Cover strip, 46 mm.....	2.17
88052 Edging profile, 15 mm.....	2.22	88216 Cover strip, 46 mm.....	2.17
88054 Edging profile, 15 mm.....	2.22	88217 Cover strip, 46 mm.....	2.17
88055 Edging profile, 15 mm.....	2.22	88218 Cover strip, 46 mm.....	2.17
88060 Edging profile, 20 mm.....	2.22	88219 Cover strip, 46 mm.....	2.17
88061 Edging profile, 20 mm.....	2.22	88220 Level compensator profile, 56 mm.....	2.19
88062 Edging profile, 20 mm.....	2.22	88221 Level compensator profile, 56 mm.....	2.19
88069 Edging profile, 20 mm.....	2.22	88222 Level compensator profile, 56 mm.....	2.19
88070 Edging profile, 27 mm.....	2.23	88223 Level compensator profile, 56 mm.....	2.19
88071 Edging profile, 27 mm.....	2.23	88224 Level compensator profile, 56 mm.....	2.19
88072 Edging profile, 27 mm.....	2.23	88225 Level compensator profile, 56 mm.....	2.19
88073 Edging profile, 27 mm.....	2.23	88226 Level compensator profile, 56 mm.....	2.19
88074 Edging profile, 27 mm.....	2.23	88227 Level compensator profile, 56 mm.....	2.19
88075 Edging profile, 27 mm.....	2.23	88228 Level compensator profile, 56 mm.....	2.19
88076 Edging profile, 27 mm.....	2.23	88229 Level compensator profile, 56 mm.....	2.19
88077 Edging profile, 27 mm.....	2.23	88230 Wall edging profile.....	2.20
88078 Edging profile, 27 mm.....	2.23	88231 Wall edging profile.....	2.20
88079 Edging profile, 27 mm.....	2.23	88232 Wall edging profile.....	2.20
88080 Cover strip, 33 mm.....	2.16	88233 Wall edging profile.....	2.20
88081 Cover strip, 33 mm.....	2.16	88234 Wall edging profile.....	2.20
88082 Cover strip, 33 mm.....	2.16	88235 Wall edging profile.....	2.20
88083 Cover strip, 33 mm.....	2.16	88236 Wall edging profile.....	2.20

# Building-material catalogue

## Index

### Item number summary

88237	Wall edging profile	2.20	88422	Level compensator profile, 56 mm	2.19
88238	Wall edging profile	2.20	88423	Level compensator profile, 56 mm	2.19
88239	Wall edging profile	2.20	88424	Level compensator profile, 56 mm	2.19
88240	Edging profile, 12.5 mm	2.21	88425	Level compensator profile, 56 mm	2.19
88241	Edging profile, 12.5 mm	2.21	88429	Level compensator profile, 56 mm	2.19
88242	Edging profile, 12.5 mm	2.21	88430	Wall edging profile	2.20
88243	Edging profile, 12.5 mm	2.21	88431	Wall edging profile	2.20
88244	Edging profile, 12.5 mm	2.21	88432	Wall edging profile	2.20
88245	Edging profile, 12.5 mm	2.21	88433	Wall edging profile	2.20
88246	Edging profile, 12.5 mm	2.21	88434	Wall edging profile	2.20
88247	Edging profile, 12.5 mm	2.21	88435	Wall edging profile	2.20
88248	Edging profile, 12.5 mm	2.21	88436	Wall edging profile	2.20
88250	Edging profile, 15 mm	2.22	88437	Wall edging profile	2.20
88251	Edging profile, 15 mm	2.22	88438	Wall edging profile	2.20
88260	Edging profile, 20 mm	2.22	88439	Wall edging profile	2.20
88261	Edging profile, 20 mm	2.22	88440	Edging profile, 12.5 mm	2.21
88262	Edging profile, 20 mm	2.22	88441	Edging profile, 12.5 mm	2.21
88269	Edging profile, 20 mm	2.22	88442	Edging profile, 12.5 mm	2.21
88270	Edging profile, 27 mm	2.23	88443	Edging profile, 12.5 mm	2.21
88271	Edging profile, 27 mm	2.23	88444	Edging profile, 12.5 mm	2.21
88272	Edging profile, 27 mm	2.23	88445	Edging profile, 12.5 mm	2.21
88279	Edging profile, 27 mm	2.23	88446	Edging profile, 12.5 mm	2.21
88280	Cover strip, 33 mm	2.16	88447	Edging profile, 12.5 mm	2.21
88281	Cover strip, 33 mm	2.16	88448	Edging profile, 12.5 mm	2.21
88282	Cover strip, 33 mm	2.16	88449	Edging profile, 12.5 mm	2.21
88283	Cover strip, 33 mm	2.16	88450	Edging profile, 15 mm	2.22
88284	Cover strip, 33 mm	2.16	88451	Edging profile, 15 mm	2.22
88285	Cover strip, 33 mm	2.16	88452	Edging profile, 15 mm	2.22
88286	Cover strip, 33 mm	2.16	88459	Edging profile, 15 mm	2.22
88287	Cover strip, 33 mm	2.16	88460	Edging profile, 20 mm	2.22
88288	Cover strip, 33 mm	2.16	88461	Edging profile, 20 mm	2.22
88289	Cover strip, 33 mm	2.16	88462	Edging profile, 20 mm	2.22
88290	Level compensator profile, 40 mm	2.18	88469	Edging profile, 20 mm	2.22
88291	Level compensator profile, 40 mm	2.18	88470	Edging profile, 27 mm	2.23
88292	Level compensator profile, 40 mm	2.18	88471	Edging profile, 27 mm	2.23
88293	Level compensator profile, 40 mm	2.18	88472	Edging profile, 27 mm	2.23
88294	Level compensator profile, 40 mm	2.18	88479	Edging profile, 27 mm	2.23
88295	Level compensator profile, 40 mm	2.18	88480	Cover strip, 33 mm	2.16
88296	Level compensator profile, 40 mm	2.18	88481	Cover strip, 33 mm	2.16
88297	Level compensator profile, 40 mm	2.18	88482	Cover strip, 33 mm	2.16
88298	Level compensator profile, 40 mm	2.18	88483	Cover strip, 33 mm	2.16
88299	Level compensator profile, 40 mm	2.18	88484	Cover strip, 33 mm	2.16
88310	Z-finish profile	2.41	88485	Cover strip, 33 mm	2.16
88311	Z-finish profile	2.41	88486	Cover strip, 33 mm	2.16
88312	Z-finish profile	2.41	88487	Cover strip, 33 mm	2.16
88330	Edge profile	2.42	88488	Cover strip, 33 mm	2.16
88331	Edge profile	2.42	88489	Cover strip, 33 mm	2.16
88332	Edge profile	2.42	88490	Level compensator profile, 40 mm	2.18
88334	Edge profile	2.42	88491	Level compensator profile, 40 mm	2.18
88335	Edge profile	2.42	88492	Level compensator profile, 40 mm	2.18
88336	Edge profile	2.42	88493	Level compensator profile, 40 mm	2.18
88337	Edge profile	2.42	88494	Level compensator profile, 40 mm	2.18
88340	Edge profile	2.42	88495	Level compensator profile, 40 mm	2.18
88341	Edge profile	2.42	88496	Level compensator profile, 40 mm	2.18
88342	Edge profile	2.42	88497	Level compensator profile, 40 mm	2.18
88350	Angle edging profile	2.41	88498	Level compensator profile, 40 mm	2.18
88351	Angle edging profile	2.41	88499	Level compensator profile, 40 mm	2.18
88352	Angle edging profile	2.41	88510	Z-finish profile	2.41
88354	Angle edging profile	2.41	88511	Z-finish profile	2.41
88355	Angle edging profile	2.41	88512	Z-finish profile	2.41
88356	Angle edging profile	2.41	88530	Edge profile	2.42
88357	Angle edging profile	2.41	88531	Edge profile	2.42
88359	Angle edging profile	2.41	88532	Edge profile	2.42
88360	Level compensator profile	2.43	88535	Edge profile	2.42
88361	Level compensator profile	2.43	88536	Edge profile	2.42
88362	Level compensator profile	2.43	88537	Edge profile	2.42
88365	Level compensator profile	2.43	88550	Angle edging profile	2.41
88366	Level compensator profile	2.43	88551	Angle edging profile	2.41
88367	Level compensator profile	2.43	88552	Angle edging profile	2.41
88370	Level compensator profile	2.43	88555	Angle edging profile	2.41
88371	Level compensator profile	2.43	88556	Angle edging profile	2.41
88372	Level compensator profile	2.43	88557	Angle edging profile	2.41
88374	Level compensator profile	2.43	88560	Level compensator profile	2.43
88375	Level compensator profile	2.43	88561	Level compensator profile	2.43
88400	Plastic support profile with <b>alfer</b> -fix	2.15	88562	Level compensator profile	2.43
88401	Plastic support profile with <b>alfer</b> -fix	2.15	88565	Level compensator profile	2.43
88402	Plastic support profile with <b>alfer</b> -fix	2.15	88566	Level compensator profile	2.43
88403	Plastic support profile with <b>alfer</b> -fix	2.15	88567	Level compensator profile	2.43
88404	Plastic support profile with <b>alfer</b> -fix	2.15	88570	Level compensator profile	2.43
88410	Cover strip, 46 mm	2.17	88571	Level compensator profile	2.43
88411	Cover strip, 46 mm	2.17	88572	Level compensator profile	2.43
88412	Cover strip, 46 mm	2.17	88575	Level compensator profile	2.43
88413	Cover strip, 46 mm	2.17	88630	Edge profile	2.44
88414	Cover strip, 46 mm	2.17	88631	Edge profile	2.44
88415	Cover strip, 46 mm	2.17	88632	Edge profile	2.44
88419	Cover strip, 46 mm	2.17	88635	Edge profile	2.44
88420	Level compensator profile, 56 mm	2.19	88636	Edge profile	2.44
88421	Level compensator profile, 56 mm	2.19	88637	Edge profile	2.44

# Building-material catalogue

## Index

### Item number summary

88640	Edge profile.....	2.44	89130	Edging profile, 8.5 mm .....	2.40
88641	Edge profile.....	2.44	89131	Edging profile, 8.5 mm .....	2.40
88642	Edge profile.....	2.44	89132	Edging profile, 8.5 mm .....	2.40
88650	Angle edging profile.....	2.44	89133	Edging profile, 8.5 mm .....	2.40
88651	Angle edging profile.....	2.44	89134	Edging profile, 8.5 mm .....	2.40
88652	Angle edging profile.....	2.44	89135	Edging profile, 8.5 mm .....	2.40
88655	Angle edging profile.....	2.44	89210	Cover strip, 46 mm .....	2.17
88656	Angle edging profile.....	2.44	89220	Level compensator profile, 56 mm .....	2.19
88657	Angle edging profile.....	2.44	89230	Wall edging profile .....	2.20
88660	Level compensator profile.....	2.45	89240	Edging profile, 12.5 mm .....	2.21
88661	Level compensator profile.....	2.45	89250	Edging profile, 15 mm .....	2.22
88662	Level compensator profile.....	2.45	89260	Edging profile, 20 mm .....	2.22
88665	Level compensator profile.....	2.45	89270	Edging profile, 27 mm .....	2.23
88666	Level compensator profile.....	2.45	89280	Cover strip, 33 mm .....	2.16
88667	Level compensator profile.....	2.45	89290	Level compensator profile, 40 mm .....	2.18
88670	Level compensator profile.....	2.45	89310	Cover strip, 25 mm .....	2.39
88671	Level compensator profile.....	2.45	89311	Cover strip, 25 mm .....	2.39
88672	Level compensator profile.....	2.45	89312	Cover strip, 25 mm .....	2.39
88730	Edge profile.....	2.44	89313	Cover strip, 25 mm .....	2.39
88731	Edge profile.....	2.44	89314	Cover strip, 25 mm .....	2.39
88732	Edge profile.....	2.44	89315	Cover strip, 25 mm .....	2.39
88735	Edge profile.....	2.44	89320	Level compensator profile, 31 mm .....	2.39
88736	Edge profile.....	2.44	89321	Level compensator profile, 31 mm .....	2.39
88737	Edge profile.....	2.44	89322	Level compensator profile, 31 mm .....	2.39
88740	Edge profile.....	2.44	89323	Level compensator profile, 31 mm .....	2.39
88741	Edge profile.....	2.44	89324	Level compensator profile, 31 mm .....	2.39
88742	Edge profile.....	2.44	89325	Level compensator profile, 31 mm .....	2.39
88750	Angle edging profile.....	2.44	89330	Edging profile, 8.5 mm .....	2.40
88751	Angle edging profile.....	2.44	89331	Edging profile, 8.5 mm .....	2.40
88752	Angle edging profile.....	2.44	89332	Edging profile, 8.5 mm .....	2.40
88755	Angle edging profile.....	2.44	89333	Edging profile, 8.5 mm .....	2.40
88756	Angle edging profile.....	2.44	89334	Edging profile, 8.5 mm .....	2.40
88757	Angle edging profile.....	2.44	89335	Edging profile, 8.5 mm .....	2.40
88760	Level compensator profile.....	2.45	89410	Cover strip, 46 mm .....	2.17
88761	Level compensator profile.....	2.45	89420	Level compensator profile, 56 mm .....	2.19
88762	Level compensator profile.....	2.45	89430	Wall edging profile .....	2.20
88765	Level compensator profile.....	2.45	89440	Edging profile, 12.5 mm .....	2.21
88766	Level compensator profile.....	2.45	89450	Edging profile, 15 mm .....	2.22
88767	Level compensator profile.....	2.45	89460	Edging profile, 20 mm .....	2.22
88770	Level compensator profile.....	2.45	89470	Edging profile, 27 mm .....	2.23
88771	Level compensator profile.....	2.45	89480	Cover strip, 33 mm .....	2.16
88772	Level compensator profile.....	2.45	89490	Level compensator profile, 40 mm .....	2.18
88830	Edge profile.....	2.44	89900	Door sealing brush .....	1.34
88831	Edge profile.....	2.44	89901	Door sealing brush .....	1.34
88832	Edge profile.....	2.44	89904	Door sealing brush .....	1.34
88835	Edge profile.....	2.44	89905	Door sealing brush .....	1.34
88836	Edge profile.....	2.44	89906	Door sealing brush .....	1.34
88837	Edge profile.....	2.44	89910	Door sealing brush .....	1.34
88850	Angle edging profile.....	2.44	89911	Door sealing brush .....	1.34
88851	Angle edging profile.....	2.44	89915	Door sealing brush .....	1.34
88852	Angle edging profile.....	2.44	89916	Door sealing brush .....	1.34
88855	Angle edging profile.....	2.44	89930	Insert for step edging profile.....	1.31
88856	Angle edging profile.....	2.44	89931	Insert for step edging profile.....	1.31
88857	Angle edging profile.....	2.44	89932	Insert for step edging profile.....	1.31
88860	Level compensator profile.....	2.45	89933	Insert for step edging profile.....	1.31
88861	Level compensator profile.....	2.45	89937	Insert for step edging profile.....	1.31
88862	Level compensator profile.....	2.45	89950	Insert for step edging profile.....	1.31
88865	Level compensator profile.....	2.45	89951	Insert for step edging profile.....	1.31
88866	Level compensator profile.....	2.45	89952	Insert for step edging profile.....	1.31
88867	Level compensator profile.....	2.45	89953	Insert for step edging profile.....	1.31
88870	Level compensator profile.....	2.45	89954	Insert for step edging profile.....	1.31
88871	Level compensator profile.....	2.45			
88872	Level compensator profile.....	2.45			
89010	Cover strip, 46 mm .....	2.17			
89011	Cover strip, 46 mm .....	2.17			
89020	Level compensator profile, 56 mm .....	2.19			
89021	Level compensator profile, 56 mm .....	2.19			
89030	Wall edging profile .....	2.20			
89040	Edging profile, 12.5 mm .....	2.21			
89050	Edging profile, 15 mm .....	2.22			
89060	Edging profile, 20 mm .....	2.22			
89070	Edging profile, 27 mm .....	2.23			
89080	Cover strip, 33 mm .....	2.16			
89081	Cover strip, 33 mm .....	2.16			
89090	Level compensator profile, 40 mm .....	2.18			
89091	Level compensator profile, 40 mm .....	2.18			
89110	Cover strip, 25 mm .....	2.39			
89111	Cover strip, 25 mm .....	2.39			
89112	Cover strip, 25 mm .....	2.39			
89113	Cover strip, 25 mm .....	2.39			
89114	Cover strip, 25 mm .....	2.39			
89115	Cover strip, 25 mm .....	2.39			
89120	Level compensator profile, 31 mm .....	2.39			
89121	Level compensator profile, 31 mm .....	2.39			
89122	Level compensator profile, 31 mm .....	2.39			
89123	Level compensator profile, 31 mm .....	2.39			
89124	Level compensator profile, 31 mm .....	2.39			
89125	Level compensator profile, 31 mm .....	2.39			

# Building-material catalogue

## Index

### Terms and Conditions of Supply and Payment

#### 1. Scope

1.1. These Terms and Conditions of Supply and Payment for Exports apply to all contractual agreements between ourselves and parties placing orders with us which have their registered offices or the branch involved with the contractual agreement outside the territory of the Federal Republic of Germany. That branch which concludes the contractual agreement in its own name shall respectively apply.

1.2. These Terms and Conditions of Supply and Payment for Exports shall not apply if the party placing the order acquires the goods for personal use or use in a family or household and we knew or should have known such upon the conclusion of the agreement.

1.3. If the party placing the order's terms and conditions of purchase differ from these Terms and Conditions of Supply and Payment for Exports, such terms and conditions of purchase shall only apply if such are expressly confirmed in writing by ourselves. Counter-confirmations by a party placing an order citing its own terms and conditions are herewith expressly contested and rejected.

1.4. Our Terms and Conditions of Supply and Payment shall also apply exclusively and without restriction even if we effect supply to the party placing the order without reservation in awareness of contrary or differing terms and conditions of the party placing the order.

#### 2. Conclusion and subject of the agreement

2.1. Any and all of our offers are non-binding.

2.2. Models, illustrations, drawings, colour tones, etc., that are contained in catalogues, brochures and other printed matter may differ slightly from the features of the products to be supplied as a result of printing technology; such differences shall not be deemed to constitute defects.

2.3. Illustrations and drawings relating to our goods in brochures, written advertising material and on price lists as well as the data contained therein, e.g. on material, dimensions or shape, shall only become a legally binding part of the agreement if the agreement expressly makes reference to such. Information on product features shall not be deemed to constitute an assumption of guarantee.

2.4. The party placing an order shall notify us prior to the conclusion of the agreement if the goods to be supplied are supposed to be suited solely for regular use or are to be used under unusual or special conditions or if the goods are to be used in any conditions posing a health, safety or environmental risk or the goods will be subject to increased demands or if use of the goods could be associated with unusual possibilities for damage or unusual amounts of damage which the party placing the order is aware of or should be aware of.

#### 3. Custom-made products

3.1. Custom-made products shall be deemed to designate all models that deviate from the models referenced in the respectively valid catalogue or brochure. This especially applies with regard to colours.

3.2. Orders for custom-made products without exception require written confirmation by both parties in the information on the design, dimensions, etc.

3.3. The party placing the order shall not acquire any rights to tools by virtue of paying remuneration for costs or shares of costs for the creation or acquisition of tools; we shall retain title to tools.

3.4. Requested samples shall only be supplied subject to charge.

3.5. We shall not be liable for defects that emanate from documents submitted to us by the party placing the order with respect to custom-made products.

3.6. If the custom-made product is manufactured based on drawings, models or other information provided by the party placing the order, we shall not be liable for the violation of third-party protective rights. The party placing the order herewith indemnifies us with respect to claims by third parties.

#### 4. Minimum order value and prices

4.1. The minimum order value for initial orders is EUR 150.00 plus taxes and customs duties. The minimum order value for all subsequent orders is EUR 25.00 plus taxes and customs duties.

4.2. Prices do not include possible additional charges such as duties, taxes and other levies and, if nothing to the contrary results from the confirmation of contract and number 5.1 below, apply EXW (Incoterms 2010) from our plant in Wutöschingen not including freight and packaging costs.

#### 5. Freight and packaging costs

5.1. By way of deviation from EXW (Incoterms 2010), consignments having an order value of at least EUR 250.00 not including taxes and customs duties shall be shipped free domicile in Germany and franco frontier to foreign countries.

5.2. The weights and piece numbers determined upon shipment shall apply in the calculation of freight costs.

5.3. Packaging costs shall be charged at the usual rates in this line of business.

#### 6. Delivery and transfer of risk

6.1. EXW (Incoterms 2010) from our plant in Wutöschingen shall apply to delivery and transfer of risk even if we assume the freight costs unless a special delivery clause has been agreed upon.

6.2. If the goods are transported to the party placing the order, such shall be at the risk of the party placing the order. In this case risk shall be transferred to the party placing the order at that point in time at which the first carrier takes on the goods. If the goods are ready for shipment and shipment is delayed for reasons for which we are not responsible, risk shall be transferred to the party placing the order upon receipt of the notice of readiness for shipment.

#### 7. Delivery periods, non-availability of performance and delay

7.1. The delivery periods stated are generally non-binding.

7.2. A bindingly committed delivery period shall commence upon the date on which our confirmation of order is sent, but at the earliest at the point in time at which all

documents and data to be provided by the party placing the order are received by us.

7.3. The delivery period shall be deemed to have been adhered to if the goods leave the plant before the delivery period expires or notification has been provided that the goods are ready for shipment.

7.4. If we are unable to meet binding delivery periods in whole or regarding part of the goods to be delivered, we shall notify the party placing the order without undue delay and at the same time notify the party placing the order about the probable new delivery period. If the good to be delivered is still not available before the expiry of the new delivery period for reasons for which we are not responsible, we shall be entitled to cancel the agreement in whole or in part; we shall repay any counter-performance already rendered by the party placing the order without undue delay.

7.5. In any case a claim to compensation for late delivery on the part of the party placing the order shall be subject to the requirement that the party placing the order has set us a reasonable grace period and we have not effected delivery within this period.

7.5. The legal rights of the party placing the order shall otherwise remain unaffected. We shall only bear liability, however, if we are responsible for the delay and only within the framework of no. 11 below. We shall in particular not be responsible for delivery not being effected to us in due time by our suppliers.

#### 8. Terms and conditions of payment

8.1. The party placing the order shall review all invoices without undue delay after receiving such to make sure that they are correct and complete. Any objections to invoices shall be issued in writing within a period of one month after their receipt. Failure to state objections in due time shall be deemed to constitute approval of the invoice.

8.2. Our invoices shall be due for payment within 10 days with a 2% discount or within 30 days of the respective invoice date net. The date when payment is credited to the account stated

for payment on the invoice shall apply in determining whether payment has been effected in due time by the party placing the order. The party placing the order shall bear all additional costs that arise in connection with the selection of the means of payment.

8.3. If the party placing the order fails to pay the purchase price in due time, we shall be entitled notwithstanding other legal recourse to charge interest on arrears in the amount of 9 percentage points above the respective base interest rate of the European Central Bank. We reserve the right to claim damage going above and beyond this.

8.4. We shall be entitled to transfer our claims emanating from the business relationship with the party placing the order for the purposes of factoring.

8.5. If payment is rendered with a bill of exchange, the party placing the order shall bear the costs of such, in particular discounting and collection charges. No discount shall be granted if payment is effected by bill of exchange.

8.6. Costs of a bill of exchange that has been invoiced shall be due for payment immediately without any deductions.

8.7. Bills of acceptance and bills of exchange shall only be deemed to constitute payment after their redemption.

8.8. Setting off or netting amounts shall only be possible in the case of counter-claims that are based on the same legal relationship, that have been effectively established by a court of law or government authority, or are uncontested or recognised.

8.9. The party placing the order shall only be entitled to exercise a right of retention if its counter-claim is based on the same legal relationship.

8.10. We shall be entitled to credit payments effected by the party placing the order to our debt of said party.

#### 9. Examination and notification of non-conformity obligation

9.1. The party placing the order shall properly examine the goods or have the goods properly examined without undue delay.

9.2. Shipping papers may not be signed (including subject to reservation) before the number of boxes delivered has been compared with the information contained in the shipping papers. Boxes that are missing or damaged must be noted with precise information on such being provided on the shipping papers and be confirmed by the freight carrier driver by means of a clearly identifiable signature.

9.3. Our liability for the goods violating the agreement shall cease to apply without the party placing the order for this reason being able to exonerate itself if the party placing the order fails to notify us about such violation of the agreement in writing within a period of 7 working days (Saturdays shall not be deemed to constitute working days) after it determines such or should have determined such while precisely stating the type of violation of agreement. Written notification of lack of conformity by the party placing the order must have been sent by the party placing the order within the aforementioned period; above and beyond the notice of lack of conformity being sent in due time, such must also actually be received by us.

9.4. If after a notice of lack of conformity is issued by the party placing the order no violation of the agreement can be identified, the party placing the order shall reimburse us for the costs incurred in connection with the inspection of the goods.

9.5. The party placing the order shall at any rate lose the right to claim lack of conformity of the goods if it does not provide notice of such within a period of no more than 12 months after it has actually been handed over the goods unless we have granted a longer period of guarantee to the party placing the order.

#### 10. Goods lacking conformity or exhibiting legal defects

10.1. Goods for which a complaint has been issued shall be properly stored and kept available to us.

10.2. We shall be provided the opportunity to inspect the goods for which a complaint has been issued.

10.3. If it is demonstrated that the goods lack conformity, we shall be entitled even

after the agreed-upon delivery period either to remedy the lack of conformity of the goods by repair or supply a substitute contemporaneously with return of the goods for which a complaint has been issued as we see fit. In the event of remedy by repair or supply of substitute goods, we shall be obligated to bear all of the expenses that are required for this purpose (including transport, road, labour and material costs) if such expenses do not increase because the goods have been sent to a place other than the place of fulfilment of the agreement.

10.4. If the party placing the order sets a reasonable grace period for remedy by repair or supply of substitute goods and repair or supply of substitute goods does not take place within this grace period or if such is refused by us, the party placing the order shall be entitled to reduce the purchase price or declare the agreement avoided in accordance with statutory arrangements. The reduction of the purchase price shall be limited to the damage incurred by the customer.

10.5. Supply of substitute goods or remedy by repair shall not cause the period laid down in no. 9.5 to recommence anew.

#### 11. Liability

11.1. We shall bear unlimited liability for harm to life and limb or health impairment that is due to the willful or negligent violation of an obligation by ourselves or that is due to a willful or negligent violation of an obligation by our legal representative or parties we hire to carry out the agreement.

11.2. We shall bear liability based on the principles of German law governing product liability and on the assumption of a guarantee.

11.3. We shall moreover only bear liability in the case of willful or negligent violation of an essential contractual obligation and only for direct damage that was foreseeable and which typically occurs at the point in time when the agreement was concluded. An essential contractual obligation shall be deemed to be an obligation that makes the proper fulfilment of the agreement concluded with the party placing the order possible in the first place and which the party placing the order trusted in and was able to trust in and the culpable failure to fulfil such jeopardises achievement of the purpose of the agreement.

11.4. Our liability is excluded in all other cases, in particular for indirect damage and subsequent damage (including foregone profit, loss of goodwill, damage due to loss of production and comparable expenses) unless the party placing the order expressly drew our attention to such in accordance with no. 2.4. prior to the conclusion of the agreement.

11.5. If our liability is excluded or limited, this shall also apply to our employees, representatives and parties we hire to carry out the agreement.

#### 12. Reservation of title

12.1. We reserve title to the goods supplied by us if our claim to the purchase price is not secured by some other means (e.g. a letter of credit) until payment of all current and future claims emanating from the purchase agreement and the ongoing business relationship (the claims to be secured) is effected.

12.2. We shall be obligated to release collateral that we are entitled to as we see fit to the extent that the realisable value of the collateral exceeds our claims to be secured by more than 10% if so requested by the party placing the order.

12.2. The party placing the order shall notify us without undue delay in the event of attachment, confiscation or similar and in the event of the goods supplied being damaged and/or lost; any violation of this obligation as well as any other conduct of the buyer in violation of the agreement, in particular failure to pay the purchase price due for payment, shall provide us the right to declare this agreement avoided. The party placing the order shall bear all the costs that have had to be incurred particularly within the framework of a third-party action successfully lifting an attachment and that may have had to be incurred to successfully reacquire the objects supplied if such cannot be collected from third parties.

12.3.

If we have effectively declared the agreement avoided, we shall be entitled to take back the goods subject to reservation of title if we have threatened to take the goods back a reasonable time in advance. The costs incurred as a result of exercise of the right to take back the goods, in particular transport costs, shall be borne by the party placing the order. We shall be entitled to exploit the goods subject to reservation of title and satisfy our claims from the proceeds from such exploitation if we have threatened such exploitation a reasonable time in advance. If the proceeds exceed the unsatisfied claims emanating from the contractual relationship, this surplus amount shall be handed over to the party placing the order.

#### 13. Place of fulfilment, applicable law and legal venue

13.1. The place of fulfilment for delivery and payment shall be our head office (Wutöschingen).

13.2. The Convention of the United Nations on the International Sale of Goods from 11 April 1980 (UN purchasing law/CISG) in the English-language version shall apply to the legal relationship with the party placing the order. Legal issues that are not set out in this Convention or which cannot be decided in accordance with its principles shall be subject to German law.

13.3. The sole legal venue for all disputes arising in connection with the agreement is the courts having jurisdiction over our head office of the company in Wutöschingen. We shall, however, also be entitled to assert claims with courts having jurisdiction over the party placing the order.

alfer aluminium Gesellschaft mbH

Commercial Register of Freiburg Local Court HRB 620 227 Status: 08/2014

# Building-material catalogue

Available in a choice of colours

## Uncoated and anodized aluminium



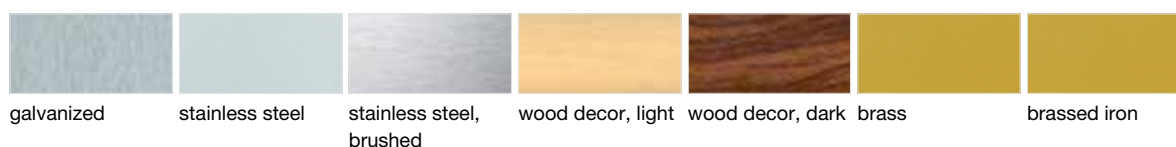
## Powder-coated aluminium



## Plastic



## Steel, stainless steel, ferroplatan<sup>®</sup>, brass and brassed iron



The colours shown are for reference purposes only and may differ from the actual colours for display reasons.

